



US00D789177S

(12) **United States Design Patent**
Carnevali

(10) **Patent No.:** **US D789,177 S**

(45) **Date of Patent:** **** Jun. 13, 2017**

(54) **ADAPTER BASE WITH BALL MOUNT**

8,037,904 B2 * 10/2011 Carnevali F16L 55/132
138/89

(71) Applicant: **Jeffrey D. Carnevali**, Seattle, WA (US)

D729,704 S * 5/2015 Song D12/162
2005/0104327 A1 * 5/2005 Irgens B60D 1/60
280/511

(72) Inventor: **Jeffrey D. Carnevali**, Seattle, WA (US)

(Continued)

(**) Term: **15 Years**

OTHER PUBLICATIONS

(21) Appl. No.: **29/556,143**

Ram Mount 2 x 1, posted at amazon.com, posting date not given,
[online]. [site visited Dec. 1, 2016]. Available from Internet, <URL:
https://www.amazon.com/ContainsUniversalPat-
ternDiscontinuedManufacturer/dp/B004O8LF26>.*

(22) Filed: **Feb. 27, 2016**

(Continued)

(51) **LOC (10) Cl.** **08-05**

(52) **U.S. Cl.**

USPC **D8/354**

(58) **Field of Classification Search**

USPC D8/354, 349; D14/239; 269/75, 277;
280/490.1

CPC G03B 17/08; G03B 17/561; B03B 17/566;
A47B 2210/0043; A47B 2210/0059;
A47B 88/10; B29C 45/14336; B29C
45/1459; G02B 7/182; H04M 1/04; H04N
5/2251; H04N 5/2252; H04N 5/2253

See application file for complete search history.

Primary Examiner — Caron D Veynar

Assistant Examiner — Maria Edwards

(74) *Attorney, Agent, or Firm* — Charles J Rupnick
Attorney at Law

(57)

CLAIM

The ornamental design for an adapter base with ball mount,
as shown and described.

DESCRIPTION

FIG. 1 is a solid perspective view showing my new design;
FIG. 2 is a top front right side perspective view thereof;
FIG. 3 is a top front left side perspective view thereof;
FIG. 4 is a top rear right side perspective view thereof;
FIG. 5 is a bottom perspective view thereof;
FIG. 6 is a front elevational view thereof;
FIG. 7 is a rear elevational view thereof;
FIG. 8 is a left side elevational view thereof;
FIG. 9 is a right side elevational view thereof;
FIG. 10 is a top elevational view thereof; and,
FIG. 11 is a bottom elevational view thereof.

The broken lines illustrate portions of the adapter base with
ball mount and form no part of the claimed design. Portions
of the ornamental design for an adapter base with ball mount
of the invention that are not shown in the figures are
disclaimed and form no part of the claimed design.

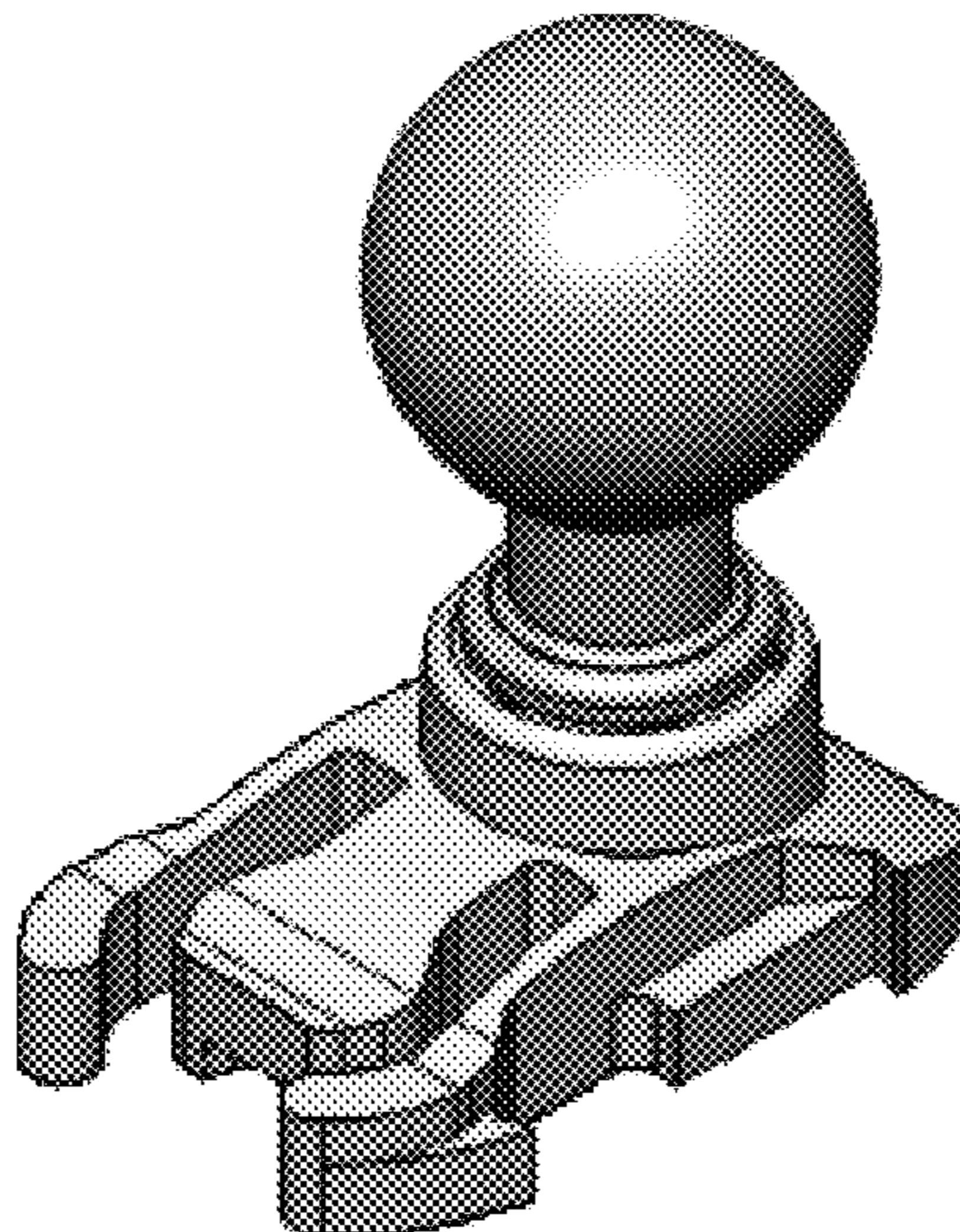
(56)

References Cited

U.S. PATENT DOCUMENTS

4,033,601 A * 7/1977 Lindahl B60D 1/46
280/490.1
5,069,433 A * 12/1991 Womack B25B 1/2457
269/277
D376,780 S * 12/1996 McCoy D12/162
6,203,048 B1 * 3/2001 Adair B60D 1/52
280/491.5
D571,278 S * 6/2008 Carnevali D12/223
D588,902 S * 3/2009 Carnevali D8/354
D607,381 S * 1/2010 Lekkas D12/162

1 Claim, 4 Drawing Sheets



(56)

References Cited

U.S. PATENT DOCUMENTS

2009/0140112	A1*	6/2009	Carnevali	F16B 5/0657 248/223.41
2011/0024598	A1*	2/2011	Carnevali	B62J 29/00 248/482
2011/0193321	A1*	8/2011	Breeden	B60D 1/06 280/511
2012/0045276	A1*	2/2012	Carnevali	F16B 7/20 403/350
2015/0030386	A1*	1/2015	Carnevali	F16B 21/02 403/348
2015/0275942	A1*	10/2015	Carnevali	F16B 2/10 403/374.3

OTHER PUBLICATIONS

BTS—Ball Mount Base Adapter With Attachment Screw S, posted at housingcamera.com, posting date not given, [online], [site visited

Dec. 1, 2016]. Available from Internet, <URL: <http://www.housingcamera.com/id2849btsbmba.html>>.*

RAM Marine Electronic Adapter Base with 1 Ball, posted at rammount.com, posting date not given, [online], [site visited Dec. 1, 2016]. Available from Internet, <URL: <http://www.rammount.com/part/RAMB1071BU>>.*

Mounting Adapter Base with 1 inch Rubber Ball, posted at aliexpress.com, posting date not given, [online], [site visited Dec. 1, 2016]. Available from Internet, <URL: <https://www.aliexpress.com/item/MotorcycleMountingBaseforWaterproofCaeswith4LockMecchiwith1inchRubberBallfor/32691326396.html?spm=2114.40010308.4.47.dEAwSF>>.*

Howshot Base Mount with 1 Ball Adapter, posted at divervision.com, posting date not given, [online], [site visited Dec. 1, 2016]. Available from Internet, <URL: <http://www.divervision.com/howshotbasemountwith1inchballadapterADGA.html>>.*

* cited by examiner

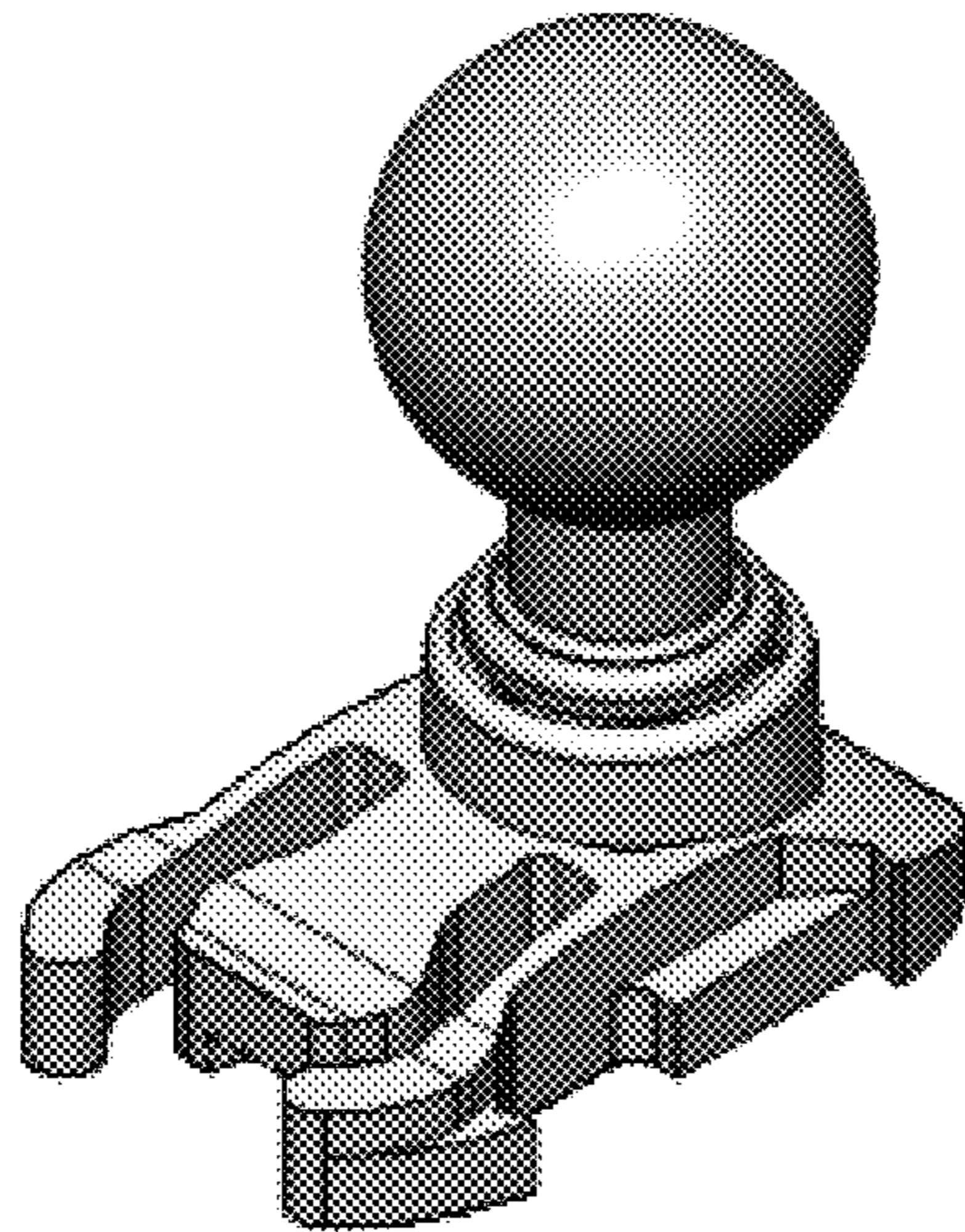


Fig. 1

Fig. 2

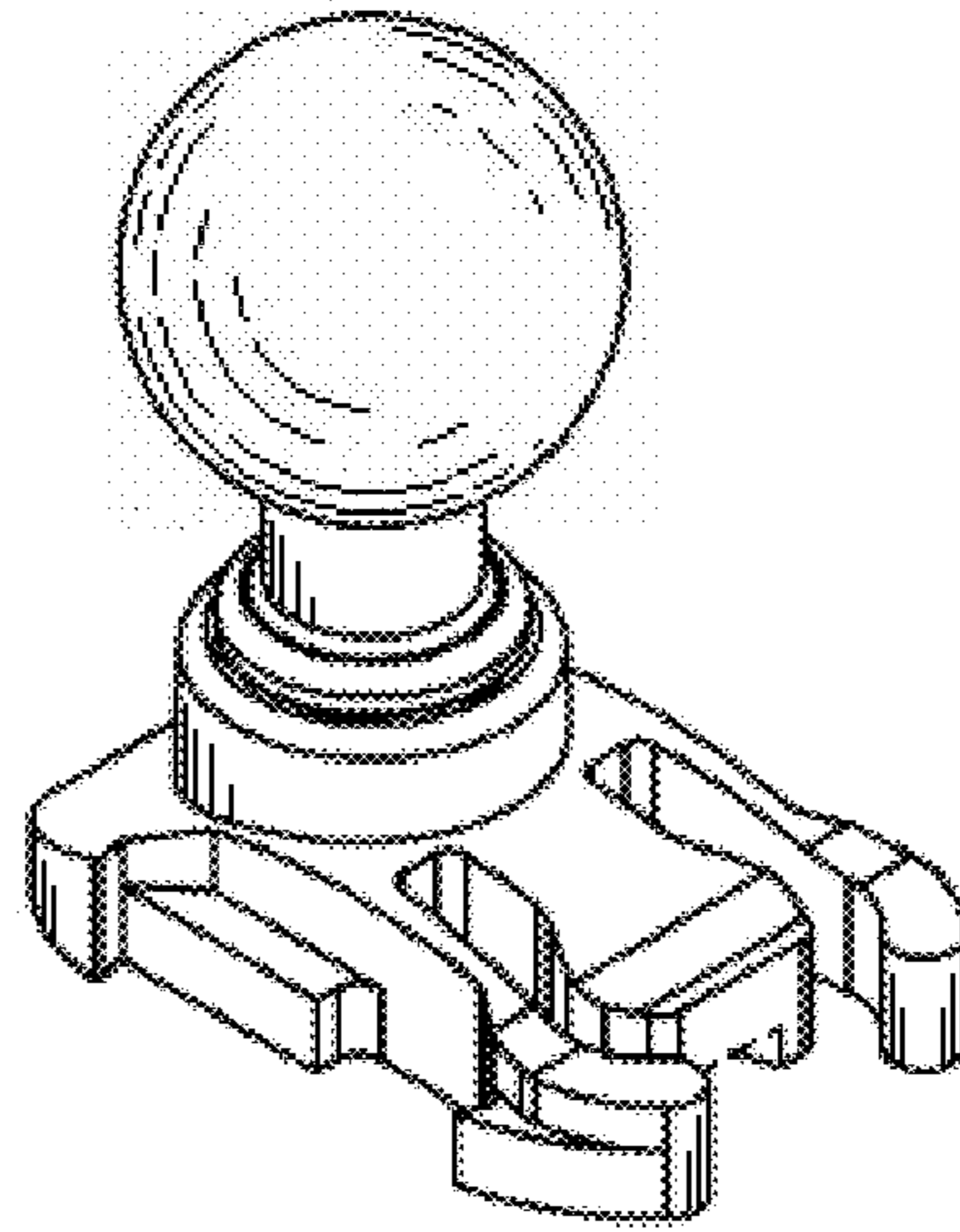
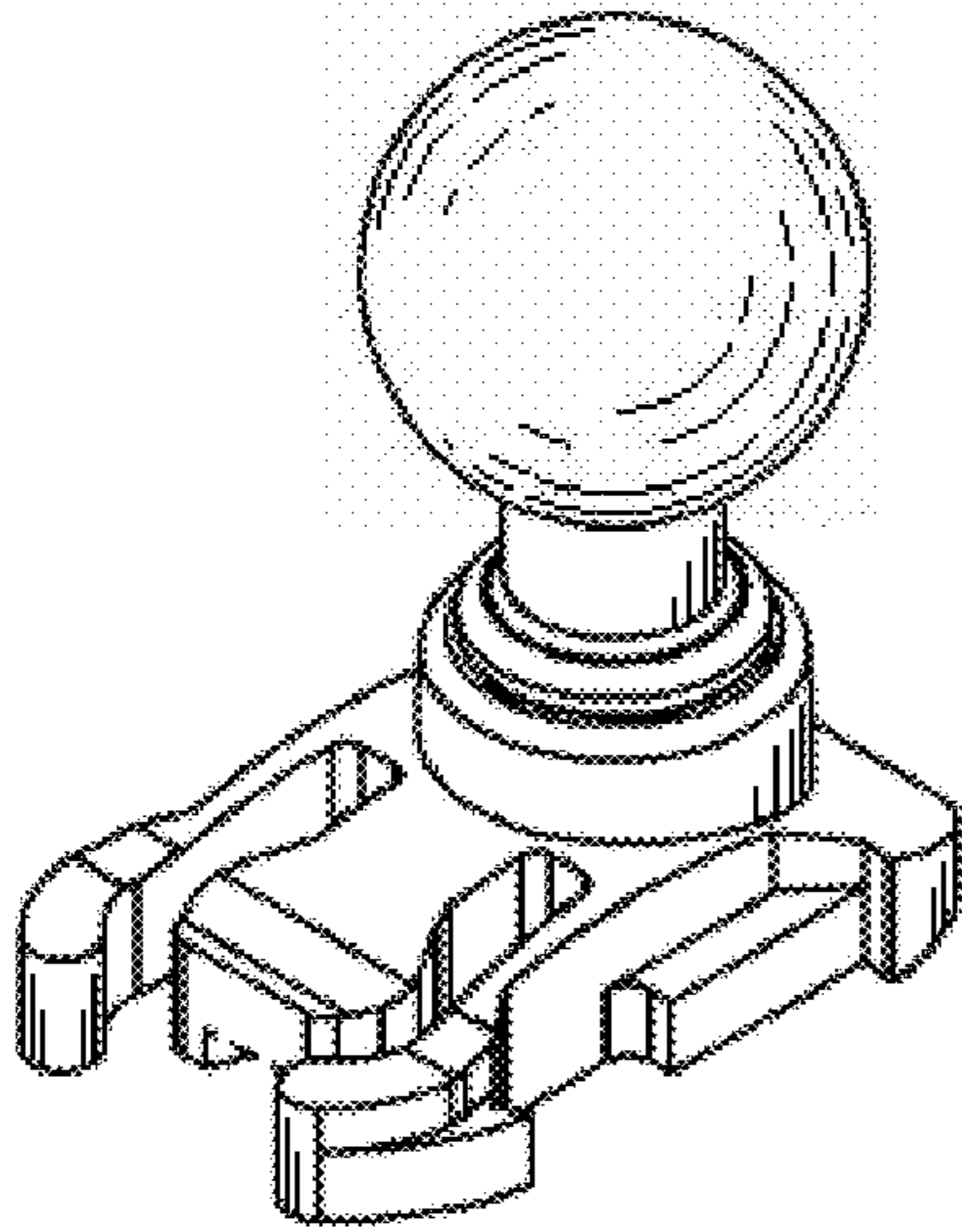


Fig. 3

Fig. 4

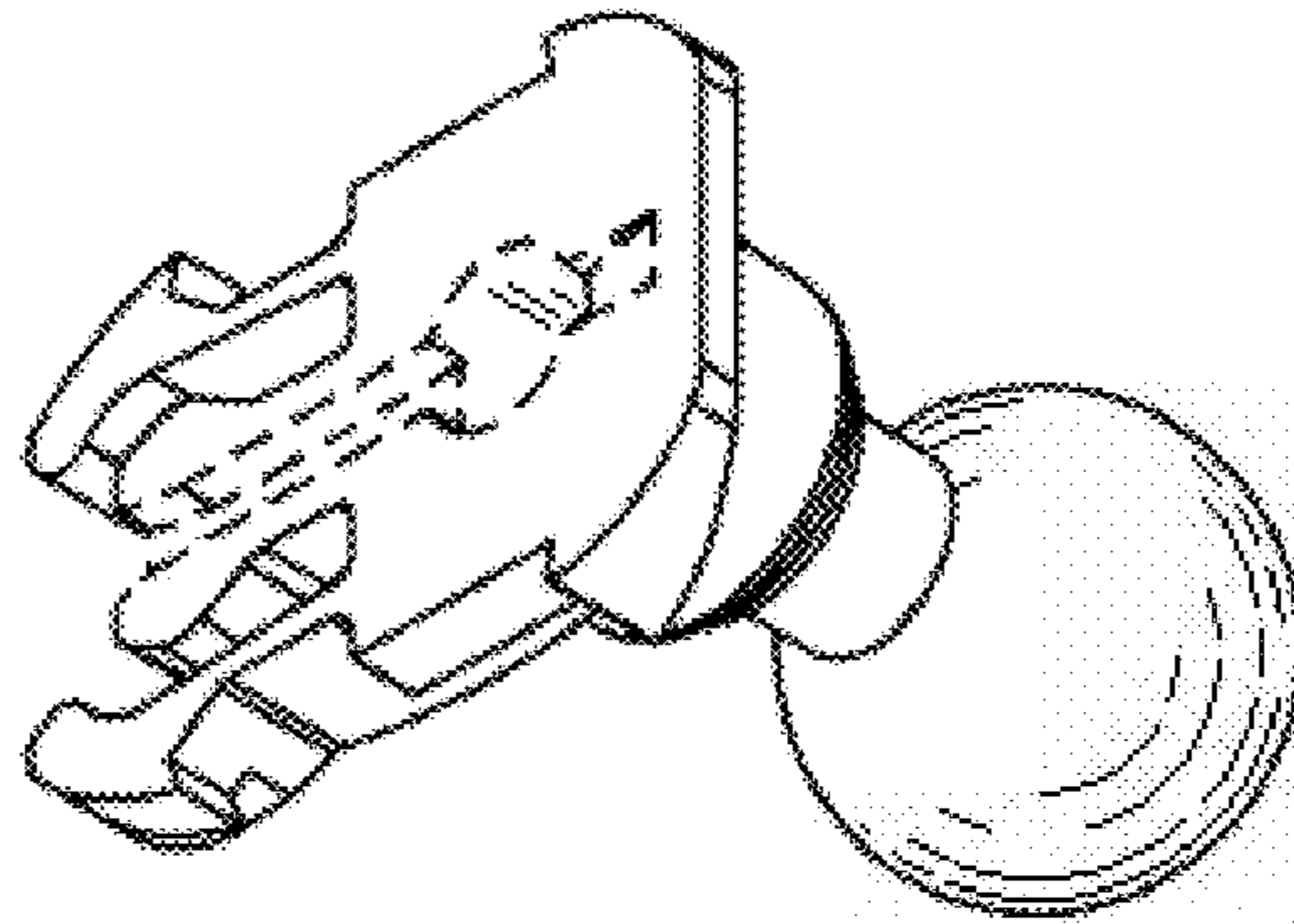
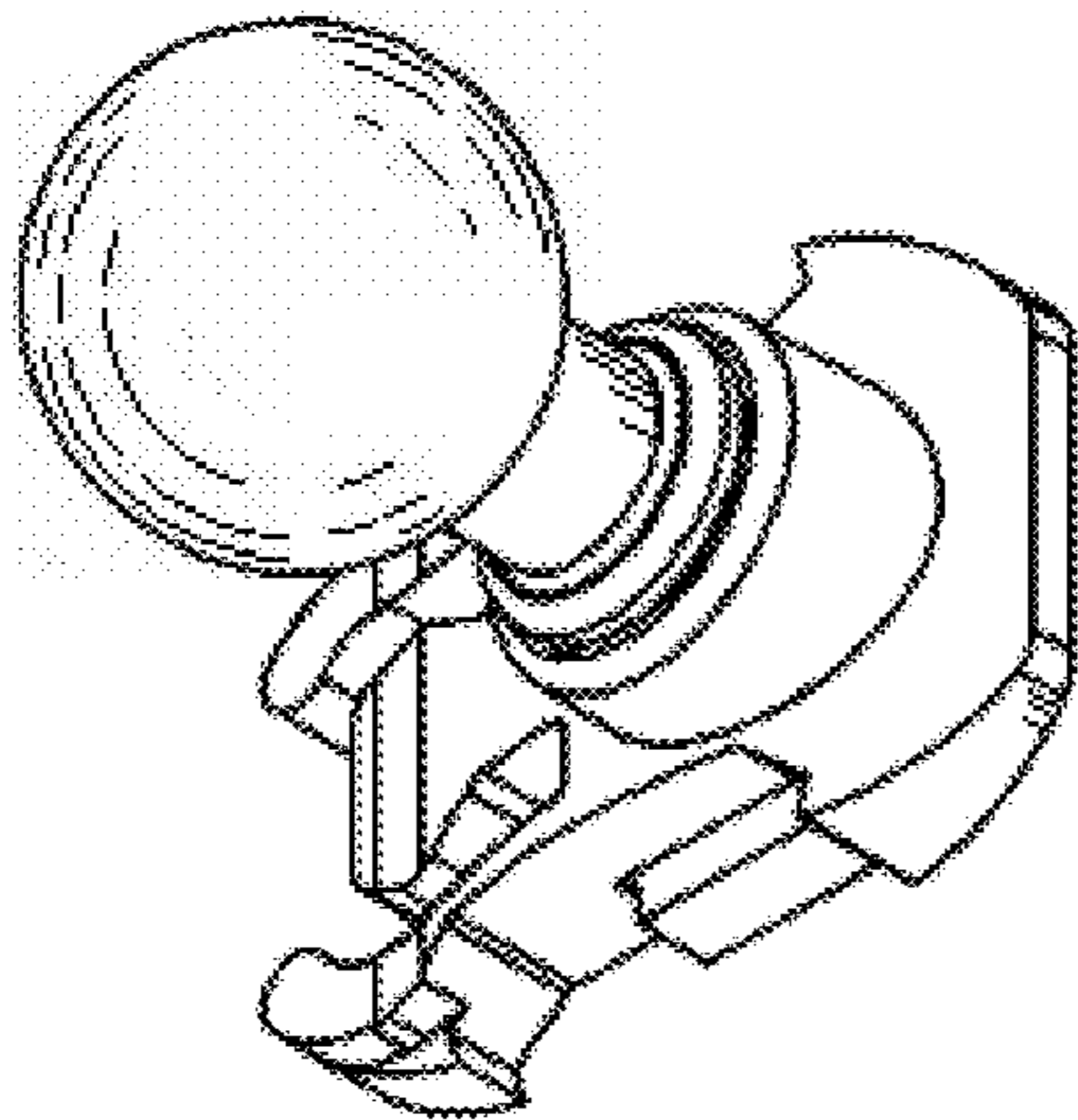


Fig. 5

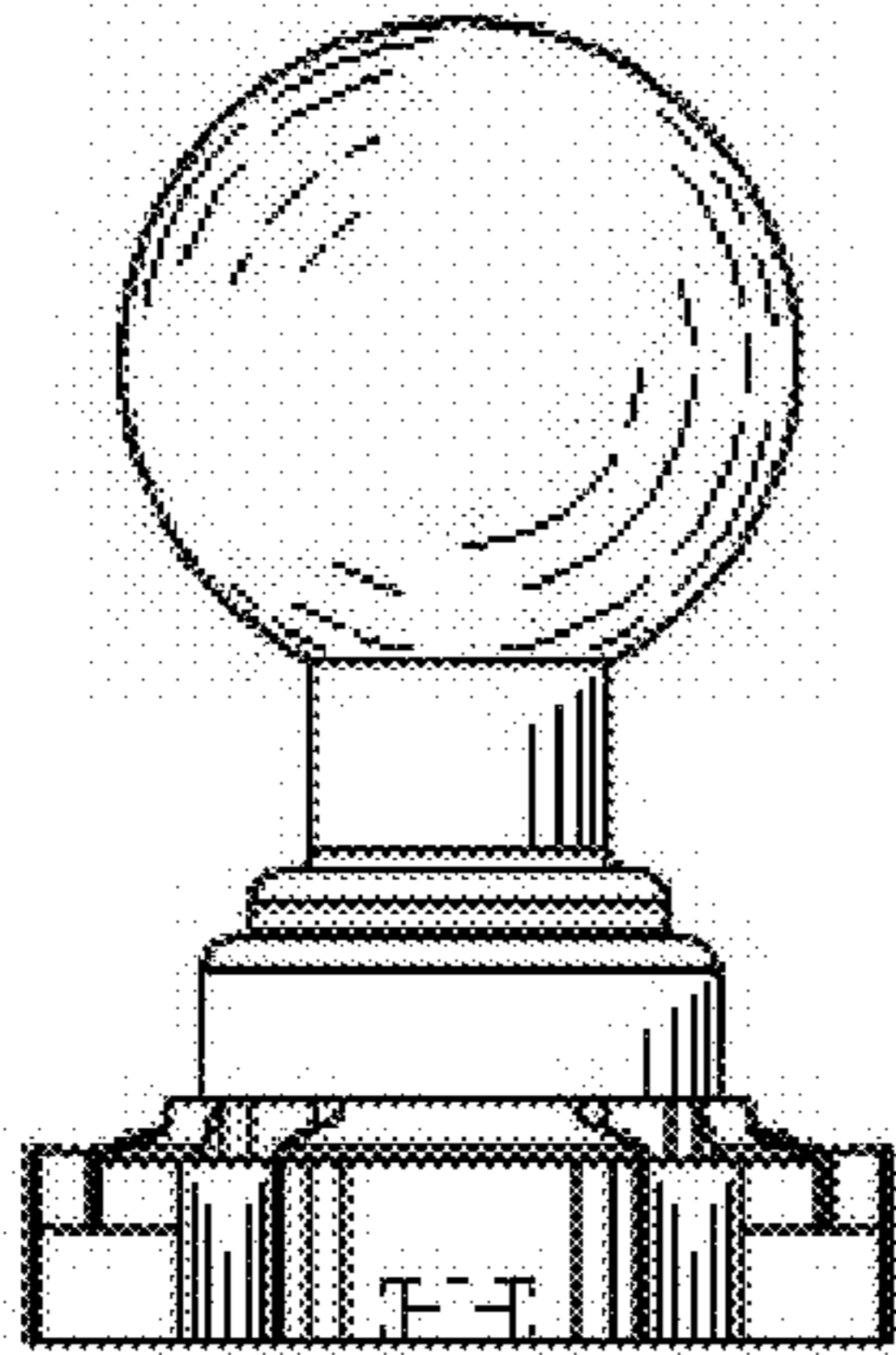


Fig. 6

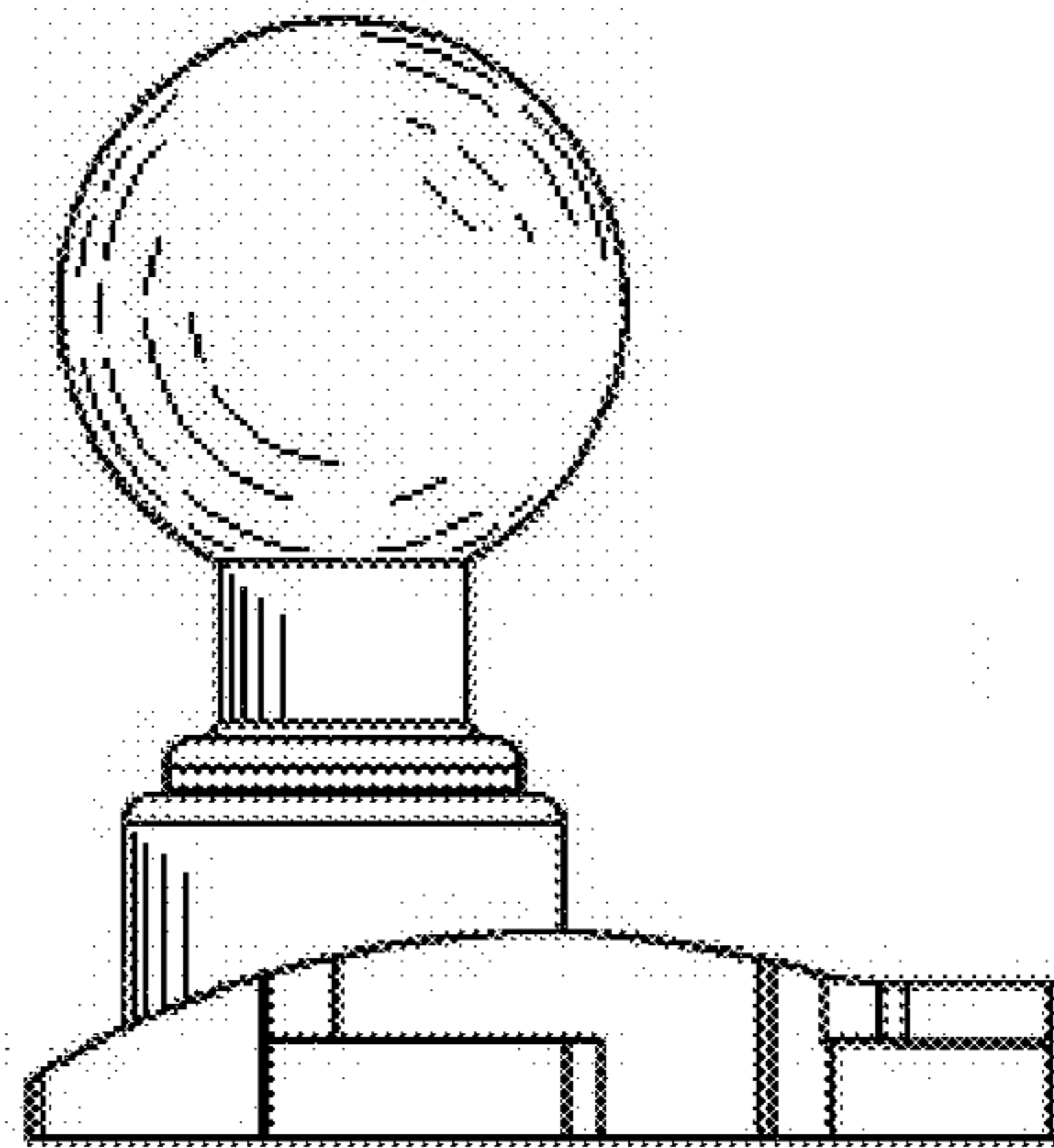


Fig. 8

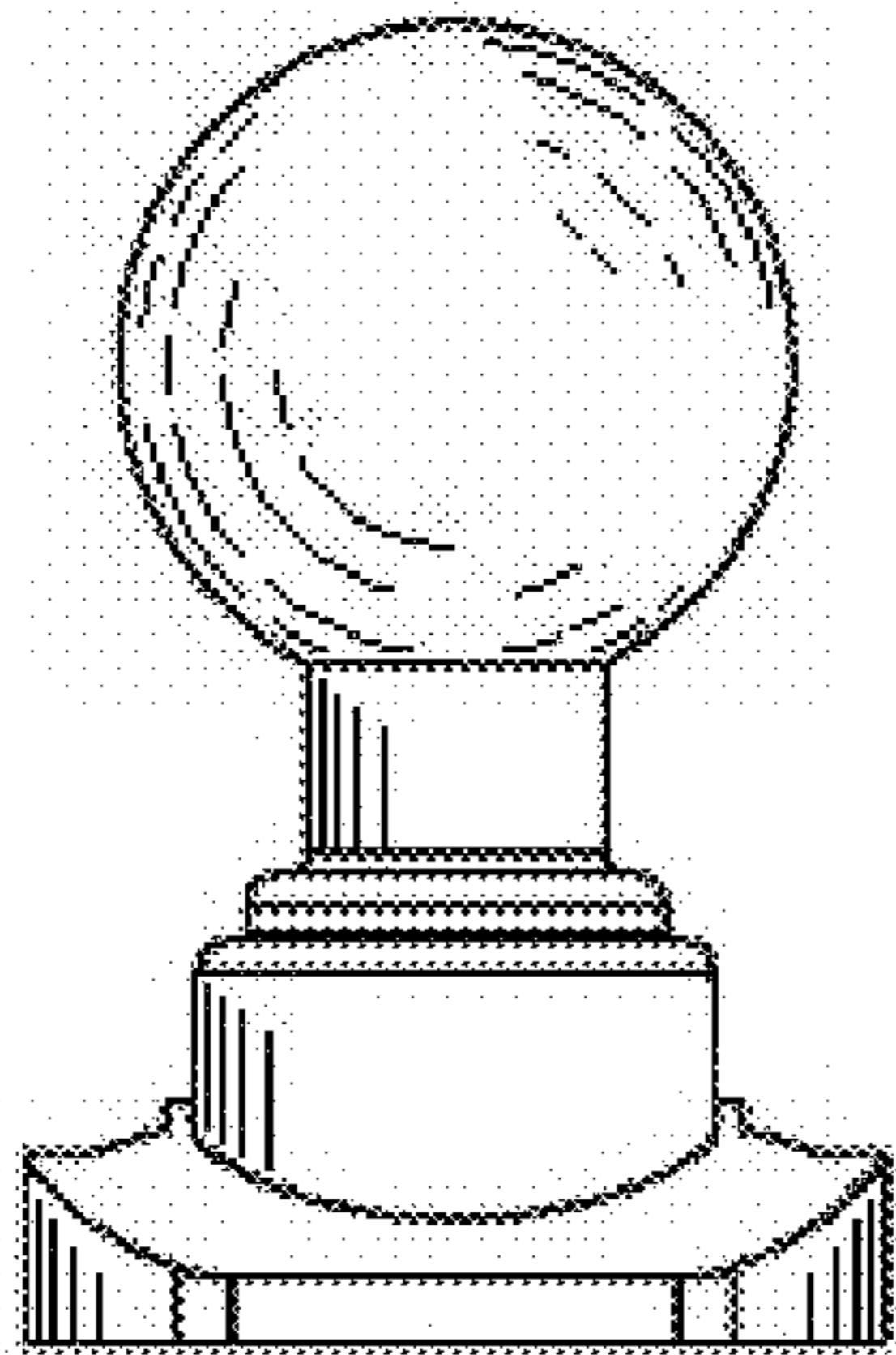


Fig. 7

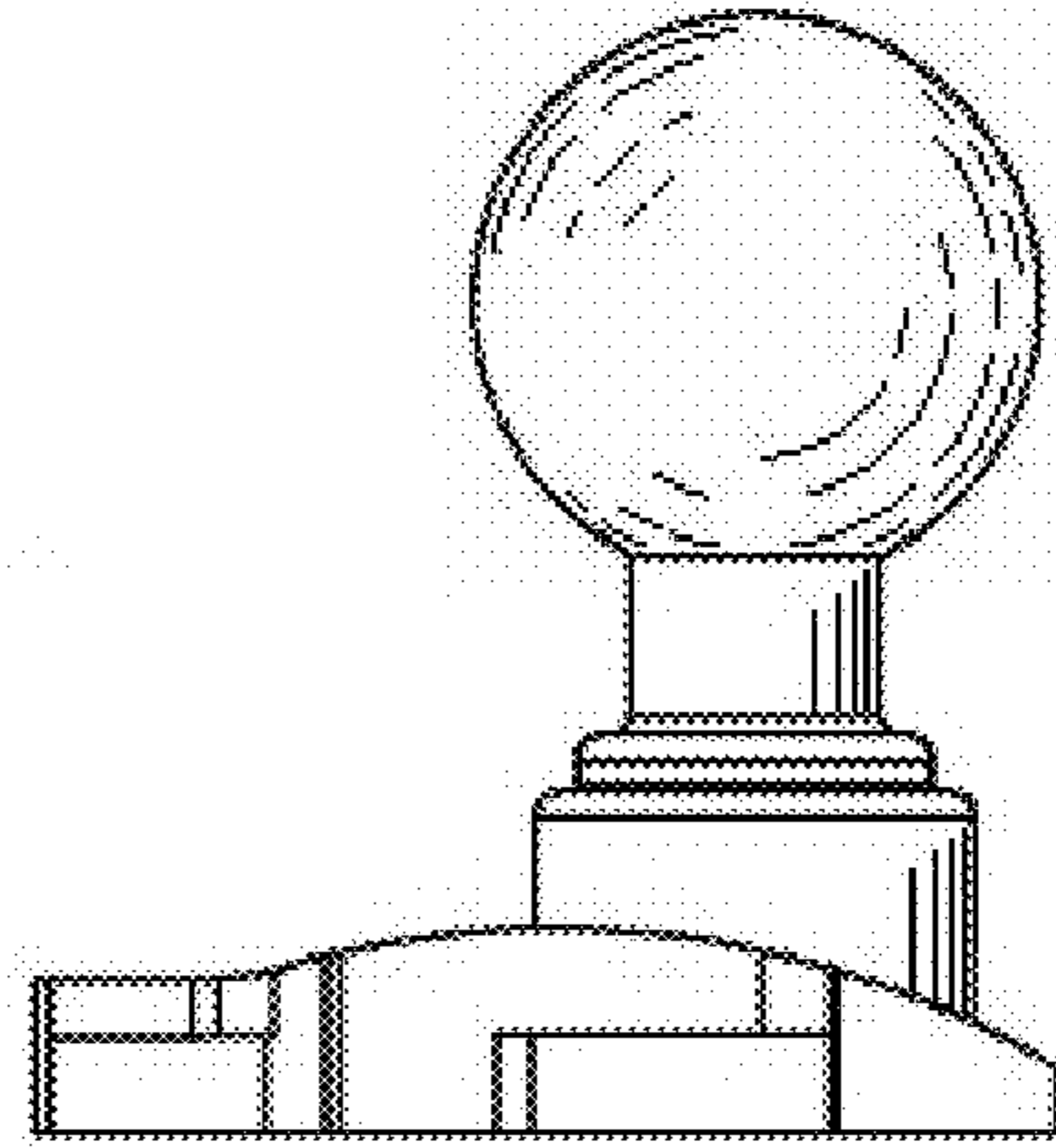


Fig. 9

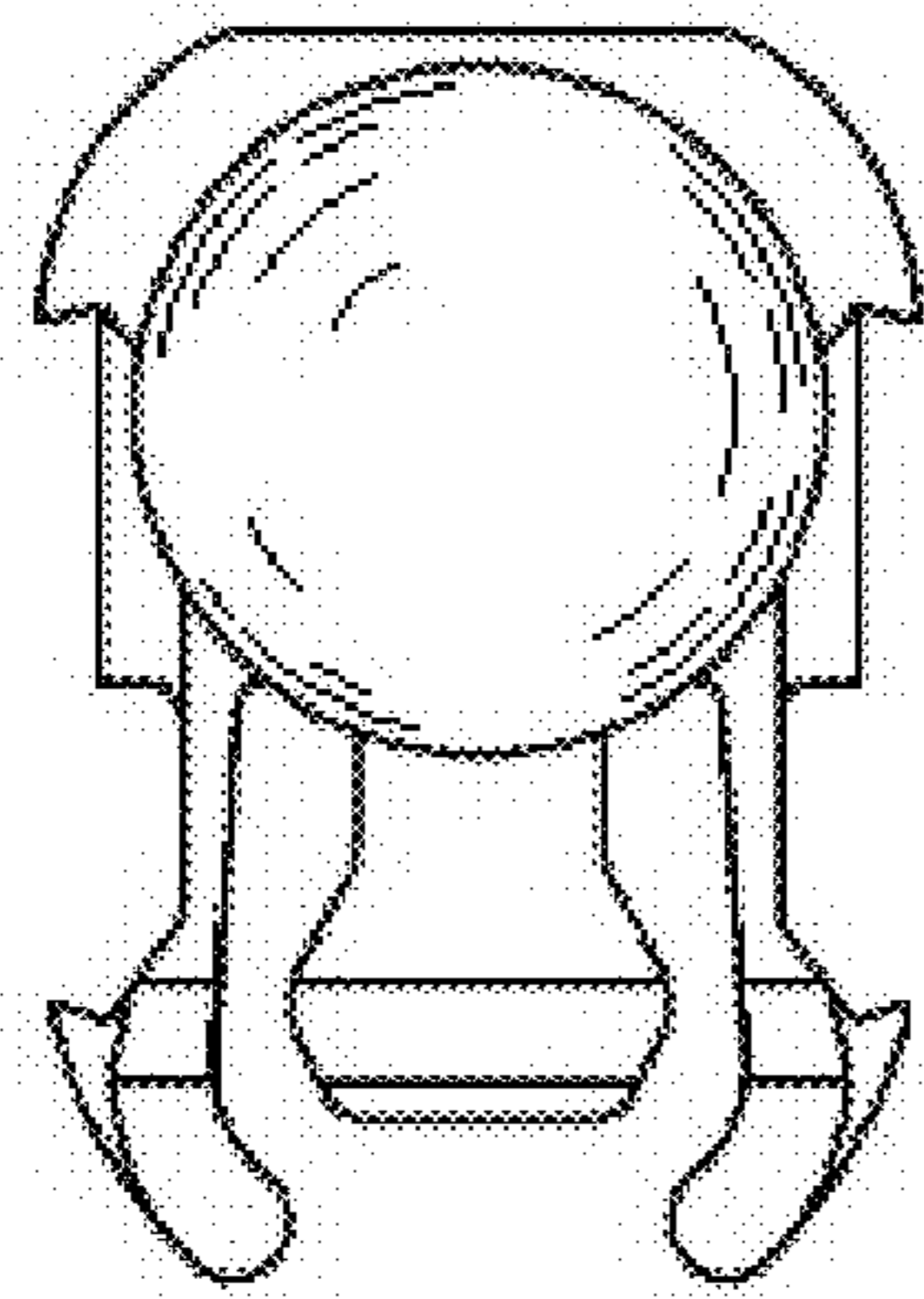


Fig. 10

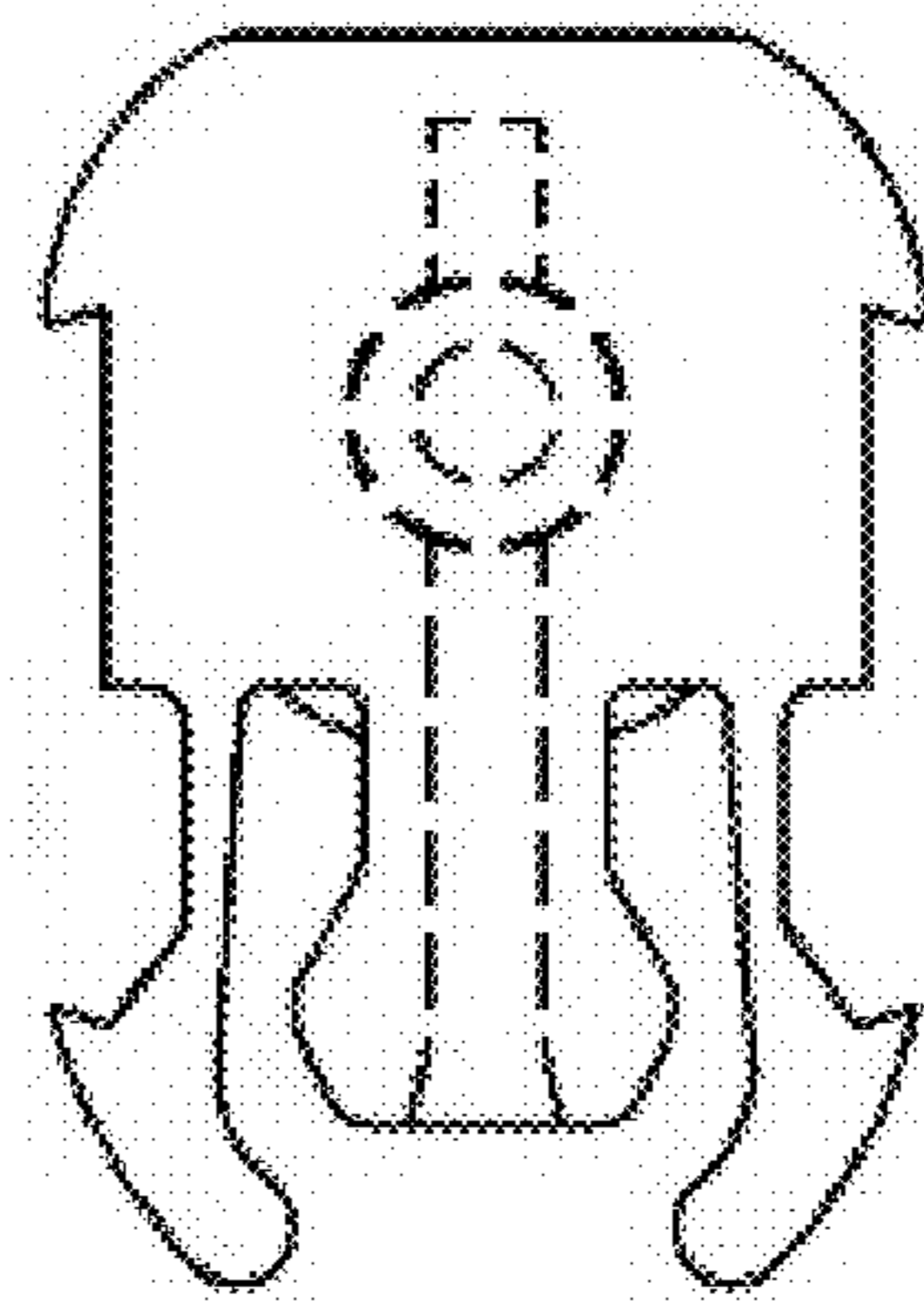


Fig. 11