



US00D789176S

(12) **United States Design Patent**
Bruce

(10) **Patent No.:** **US D789,176 S**
(45) **Date of Patent:** **** Jun. 13, 2017**

- (54) **SCISSOR LOCK**
- (71) Applicant: **Shawn Bruce**, Warrenton, MO (US)
- (72) Inventor: **Shawn Bruce**, Warrenton, MO (US)
- (**) Term: **15 Years**
- (21) Appl. No.: **29/565,962**
- (22) Filed: **May 25, 2016**
- (51) **LOC (10) Cl.** **08-07**
- (52) **U.S. Cl.**
USPC **D8/339; D8/330; D8/343**
- (58) **Field of Classification Search**
USPC D8/330, 331, 226, 339, 343, 342, 349,
D8/499; 70/14, 51, 52, 57, 57.1, 202,
70/254, 237-239, 245, 247, 249, 258,
70/431, 465, 466; 292/338, 339, 148,
292/346, 259 R, 238; 403/109.1, 109.3,
403/83; 254/DIG. 5
CPC E05C 1/00; E05C 19/18; E05C 19/188;
F16B 7/10; B60R 25/08
See application file for complete search history.

- 5,316,264 A * 5/1994 Newman, Sr. F16L 27/12
137/899
- 5,669,641 A * 9/1997 Jeansonne E05C 19/003
292/259 R
- D398,831 S * 9/1998 Walton D8/339
- 5,826,923 A * 10/1998 Bethurem E05C 19/003
292/238
- 6,619,708 B1 * 9/2003 Naylor E05C 19/186
292/259 R
- D540,150 S * 4/2007 Wilson D8/339
- D632,946 S * 2/2011 Hartgens E05C 17/30
D8/339
- D710,183 S * 8/2014 Huddleston D8/339

* cited by examiner

Primary Examiner — Prabhakar G Deshmukh
(74) *Attorney, Agent, or Firm* — Law Office of Robert M. Patino

(57) **CLAIM**

The ornamental design for a scissor lock, as shown and described.

DESCRIPTION

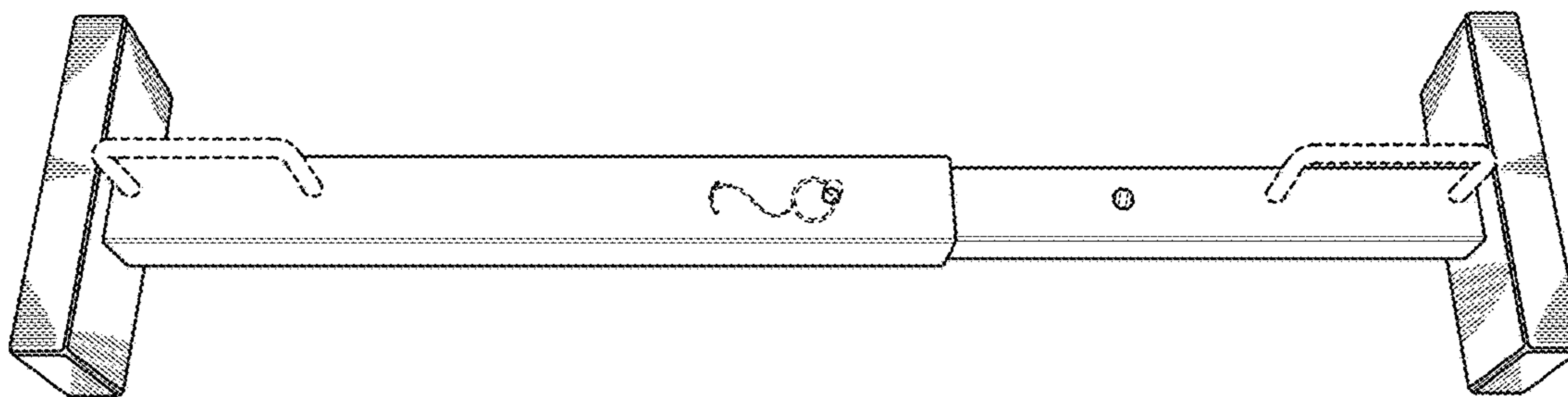
FIG. 1 is a perspective view of a scissor lock showing my new design;
FIG. 2 is a top plan view thereof;
FIG. 3 is a front elevational view thereof;
FIG. 4 is a bottom plan view thereof;
FIG. 5 is an enlarged left side elevational view thereof; and,
FIG. 6 is an enlarged right side elevational view thereof.
The broken lines illustrate environment and forms no part of the claimed design.

1 Claim, 3 Drawing Sheets

(56) **References Cited**

U.S. PATENT DOCUMENTS

- 3,615,114 A * 10/1971 Harris E05B 65/0888
292/262
- D267,698 S * 1/1983 Domes 292/148
- D275,550 S * 9/1984 Johnson D8/331
- 5,165,741 A * 11/1992 Everett E05C 19/003
292/257



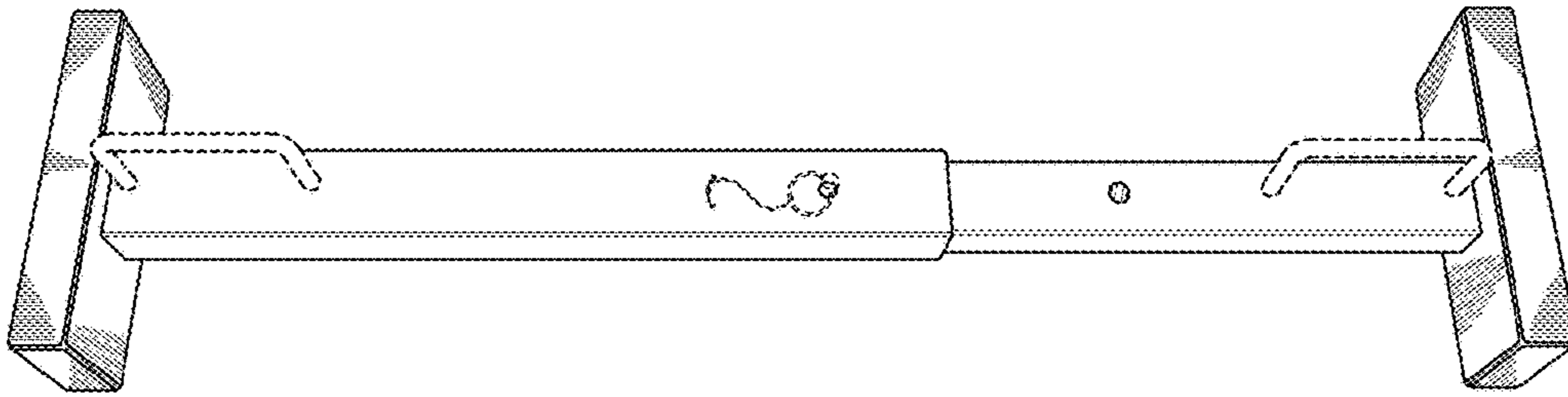


FIG. 1

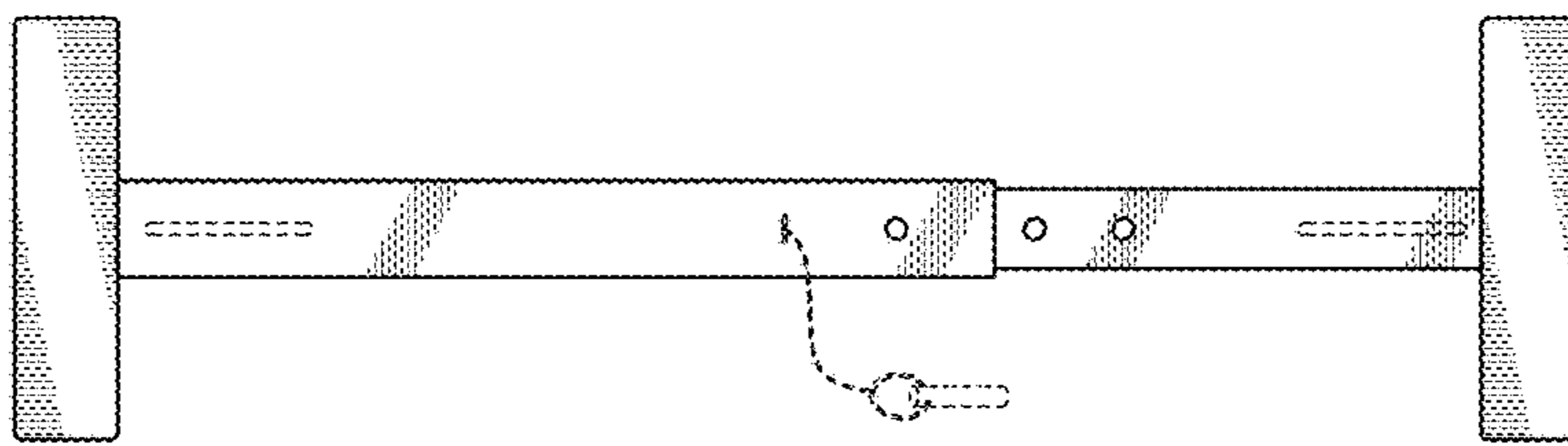


FIG. 2

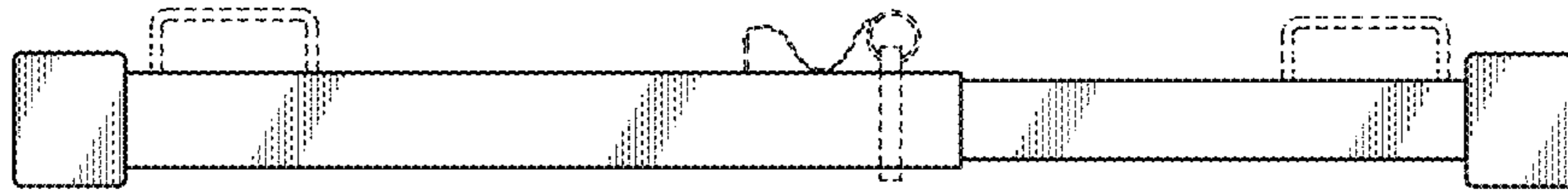


FIG. 3

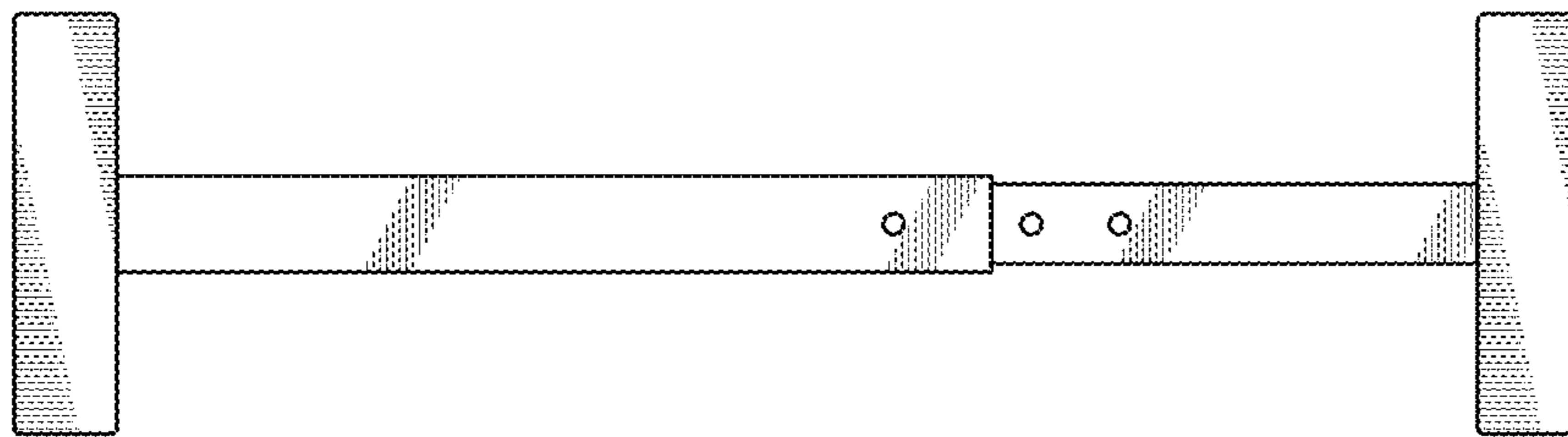


FIG. 4

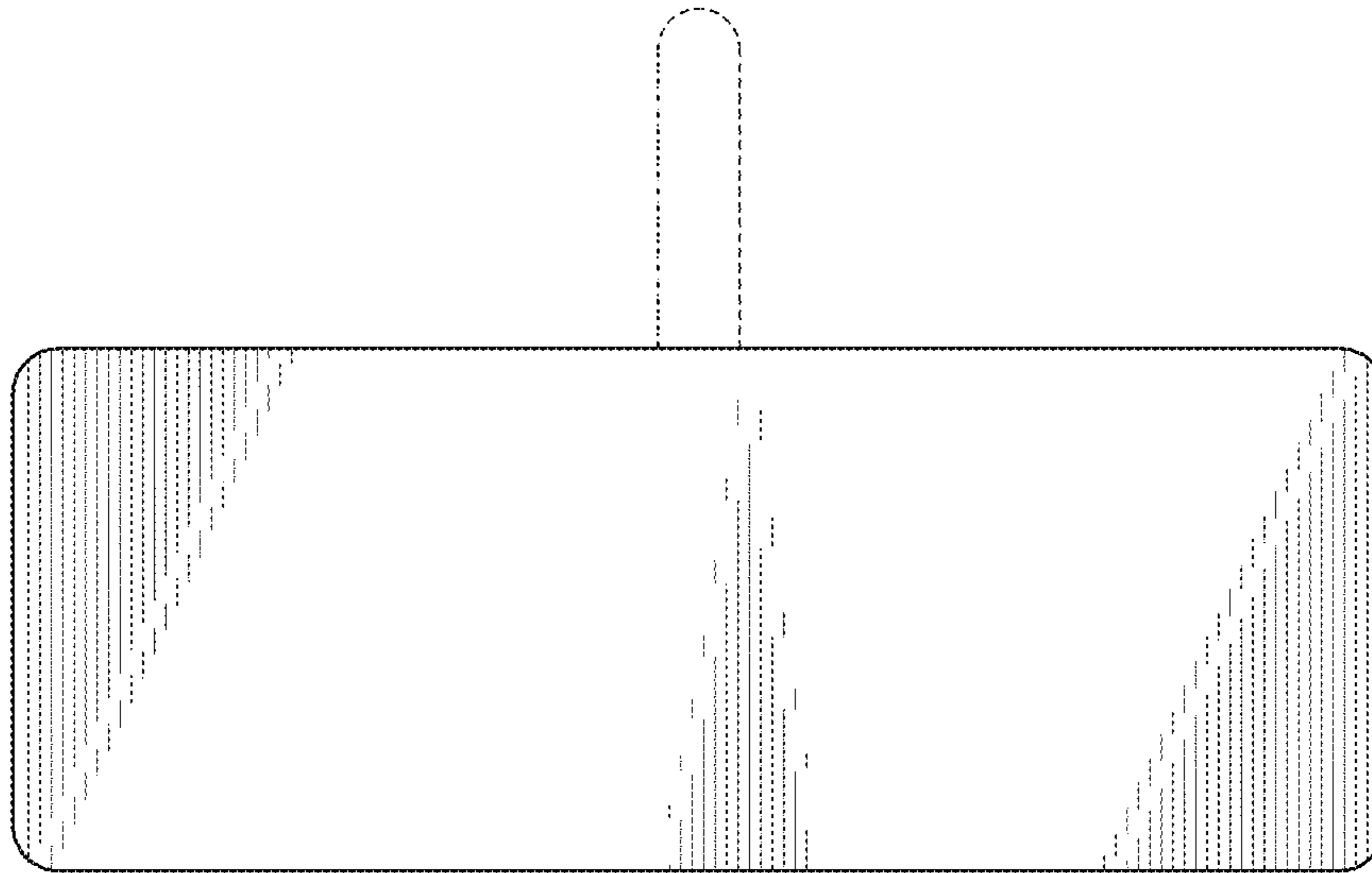


FIG. 5

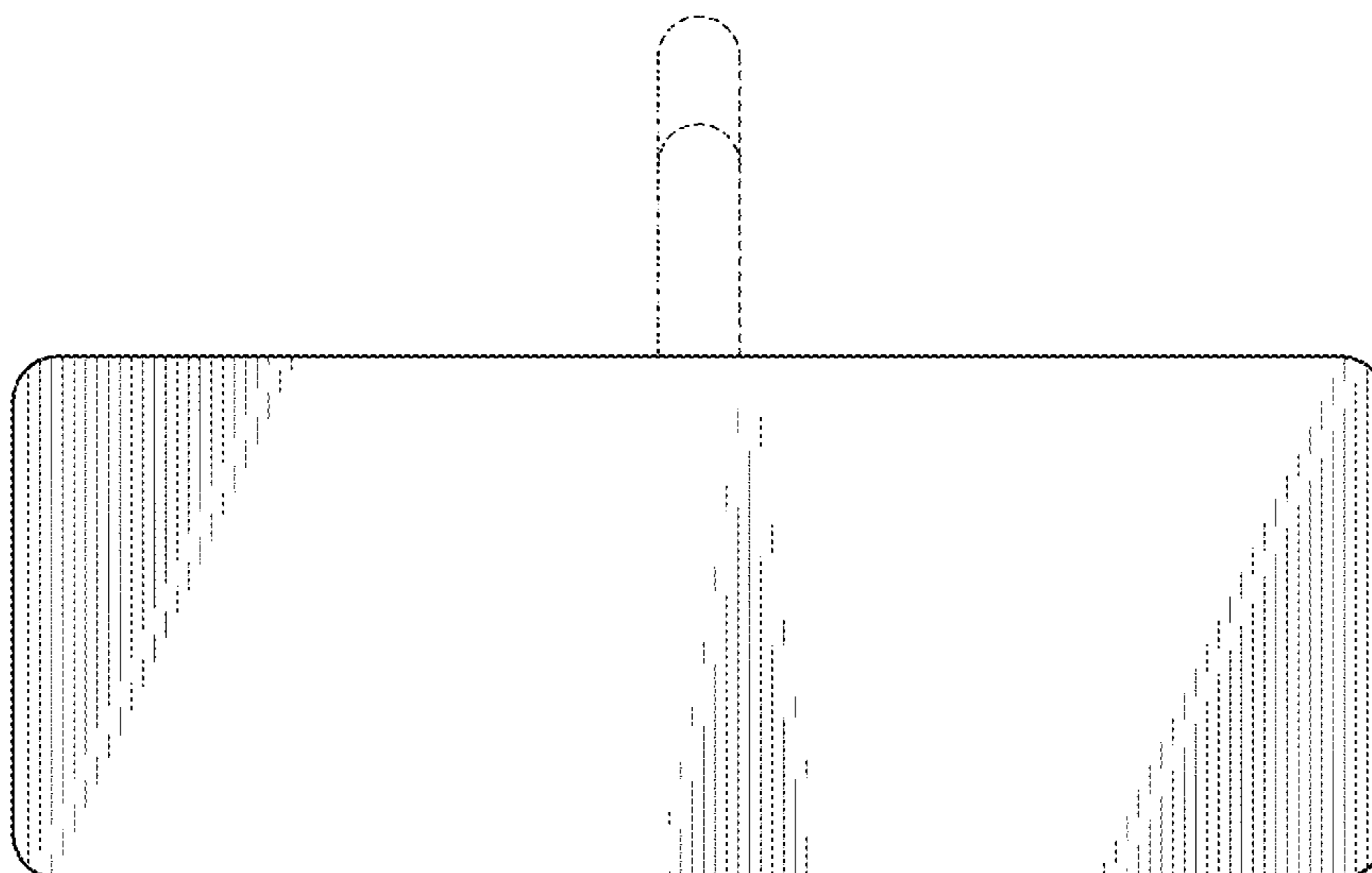


FIG. 6