



US00D789175S

(12) **United States Design Patent**
Manning et al.

(10) **Patent No.:** **US D789,175 S**
(45) **Date of Patent:** **** Jun. 13, 2017**

(54) **DIFFERENTIAL PIN LOCK**

(71) Applicants: **Kevin R. Manning**, East Prairie, MO (US); **Kelly L. Manning**, Bertrand, MO (US)

(72) Inventors: **Kevin R. Manning**, East Prairie, MO (US); **Kelly L. Manning**, Bertrand, MO (US)

(**) Term: **15 Years**

(21) Appl. No.: **29/564,940**

(22) Filed: **May 17, 2016**

(51) **LOC (10) Cl.** **08-07**

(52) **U.S. Cl.**
USPC **D8/339**; D8/330; D8/331

(58) **Field of Classification Search**
USPC D8/330, 331, 336-345, 354, 349, 394, D8/499; 70/14, 51, 49, 230, 232, 253, 70/317, 322, 333 R, 319, 431, 444, 465, 70/466, DIG. 81; 292/8, 14, 24, 25, 246, 292/254, 256, 258, 288, 359; 475/230-235, 220
CPC F16H 48/00; F16H 48/30; F16B 39/42; F01L 1/34
See application file for complete search history.

(56) **References Cited**

U.S. PATENT DOCUMENTS

5,332,251 A * 7/1994 Farquhar B60D 1/60 280/507
6,432,020 B1 * 8/2002 Rivera F16H 48/08 475/231

D532,674 S * 11/2006 Schwalie D8/331 7,147,584 B1 * 12/2006 Lu F16H 48/10 475/250
D596,921 S * 7/2009 Hageman D8/330 8,182,385 B2 * 5/2012 Gianone F16H 48/08 475/150
D665,648 S * 8/2012 Cheung D8/330 8,591,375 B2 * 11/2013 Maruyama F16D 27/118 192/84.92
8,899,199 B1 * 12/2014 Waters F01L 1/3442 123/90.15
D732,924 S * 6/2015 Strydom D8/331
D742,717 S * 11/2015 Manning D8/330
9,222,378 B2 * 12/2015 Vukovich F02D 13/0219
9,587,692 B2 * 3/2017 Gutelius F16D 65/18

* cited by examiner

Primary Examiner — Prabhakar Deshmukh

(74) *Attorney, Agent, or Firm* — Grace J. Fishel

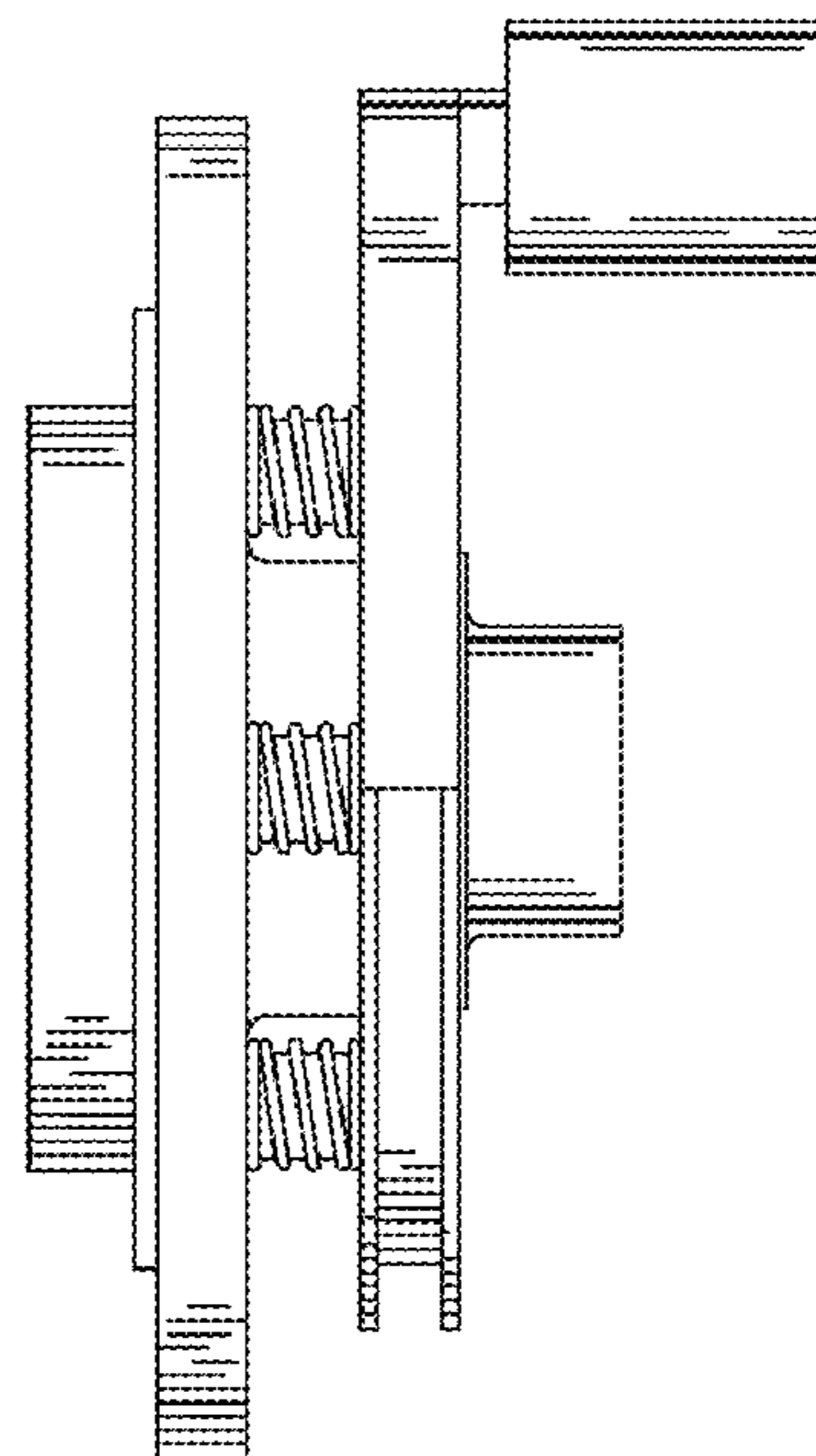
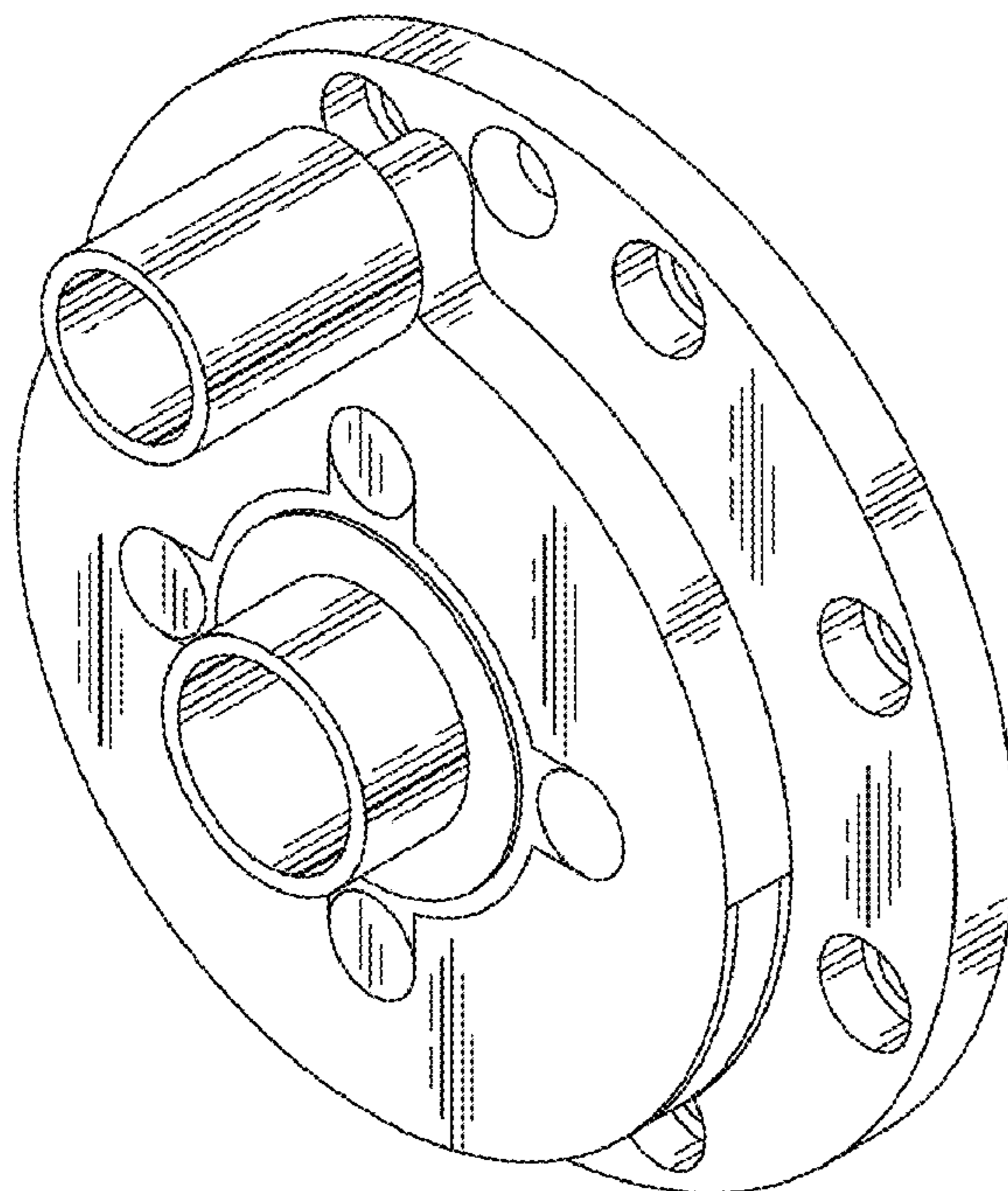
(57) **CLAIM**

The ornamental design for a differential pin lock, as shown and described.

DESCRIPTION

FIG. 1 is a perspective view of a differential pin lock showing our new design;
FIG. 2 is front elevational view thereof;
FIG. 3 is a top plan view thereof;
FIG. 4 is a right side view, the left side being a mirror image;
FIG. 5 is a bottom plan view thereof; and,
FIG. 6 is a back elevational view thereof.

1 Claim, 3 Drawing Sheets



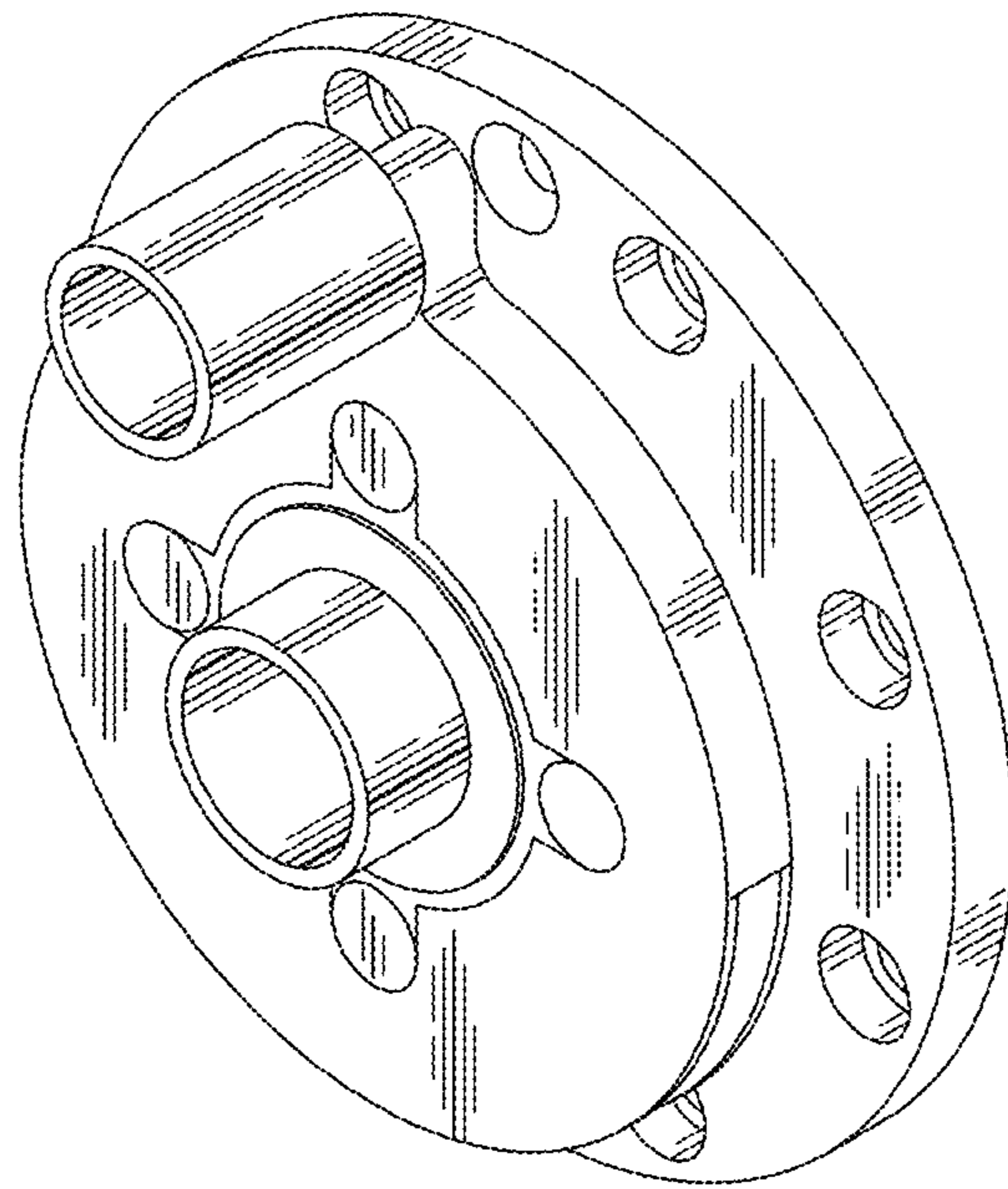


Fig. 1

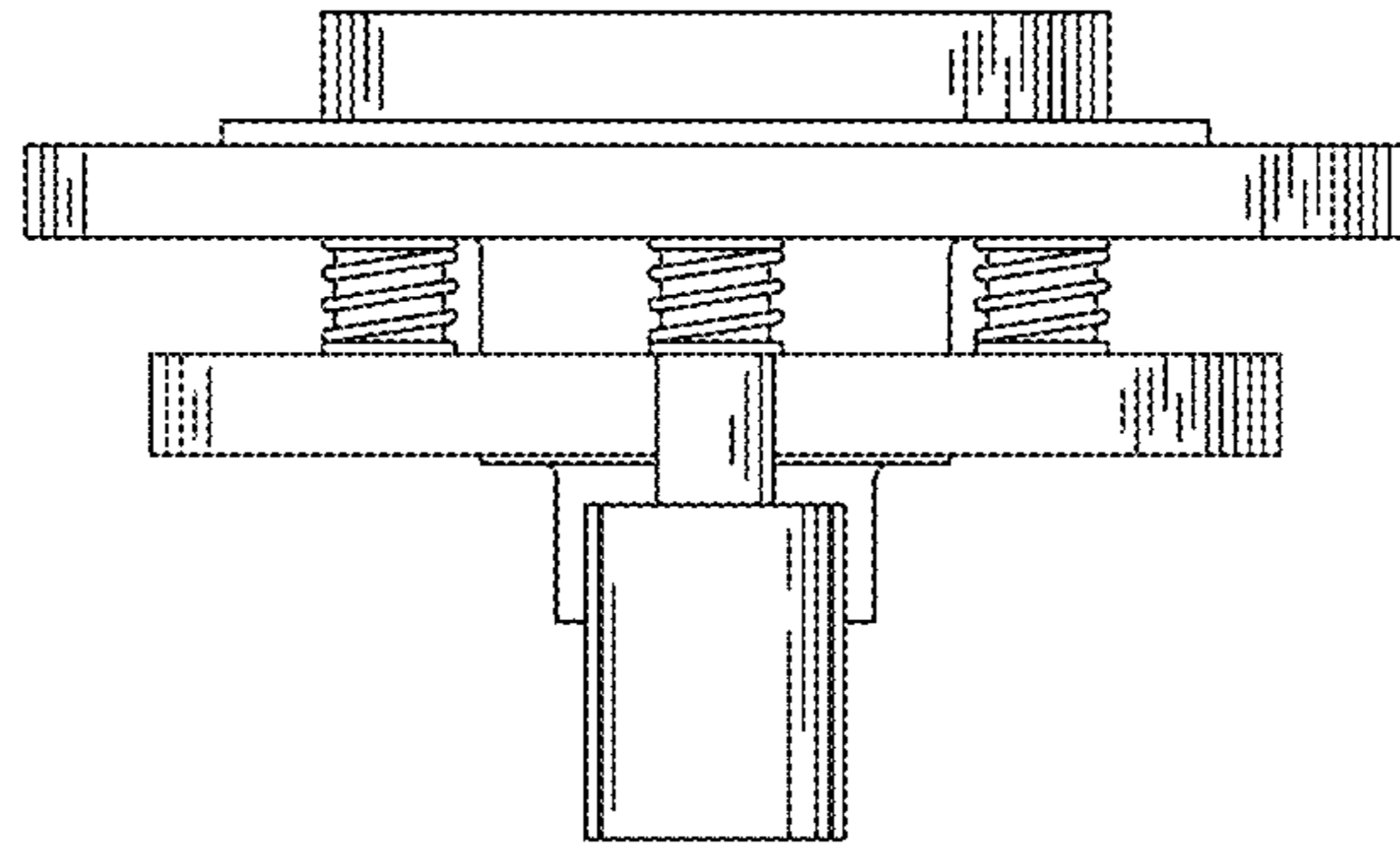


Fig. 3

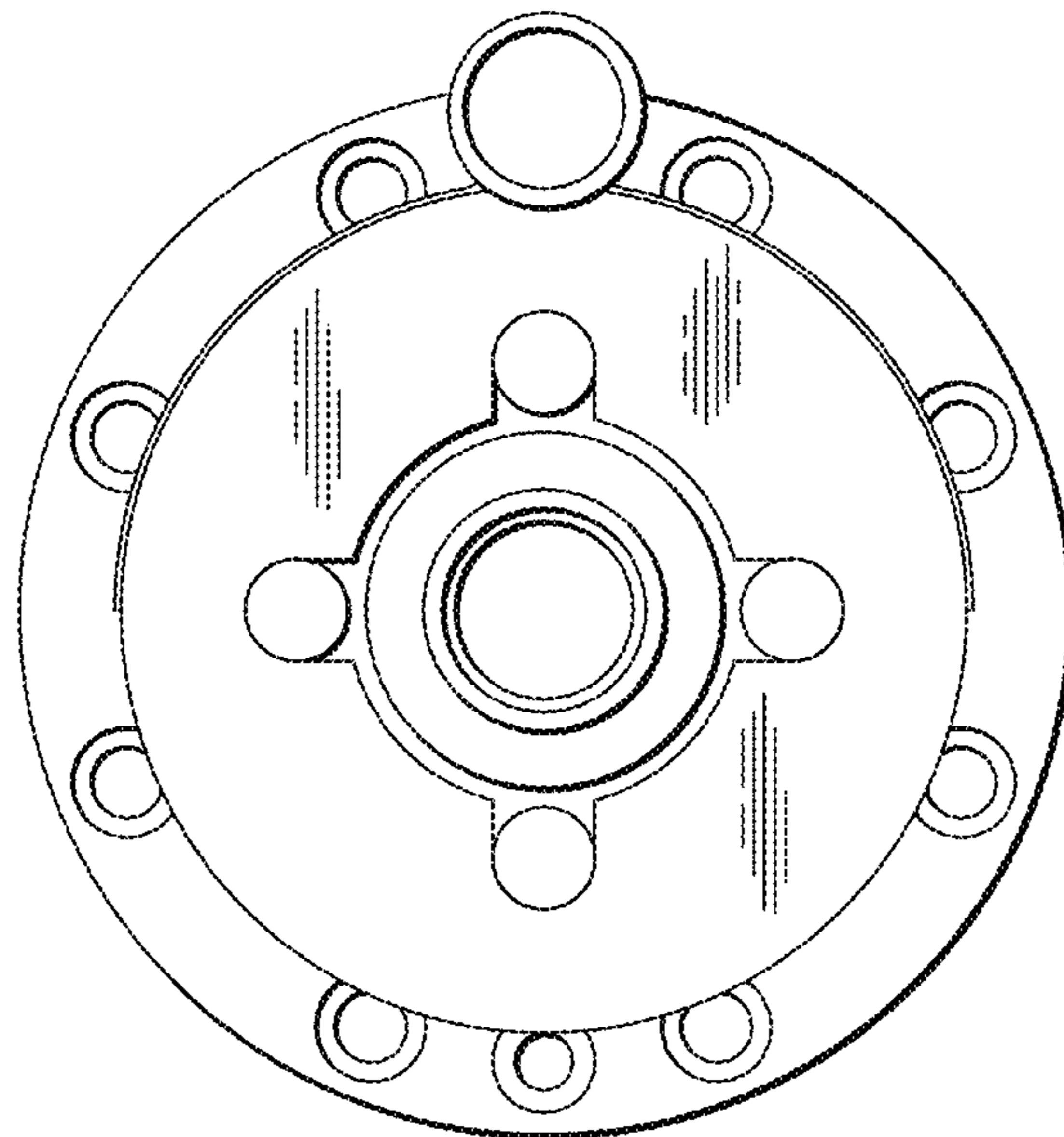


Fig. 2

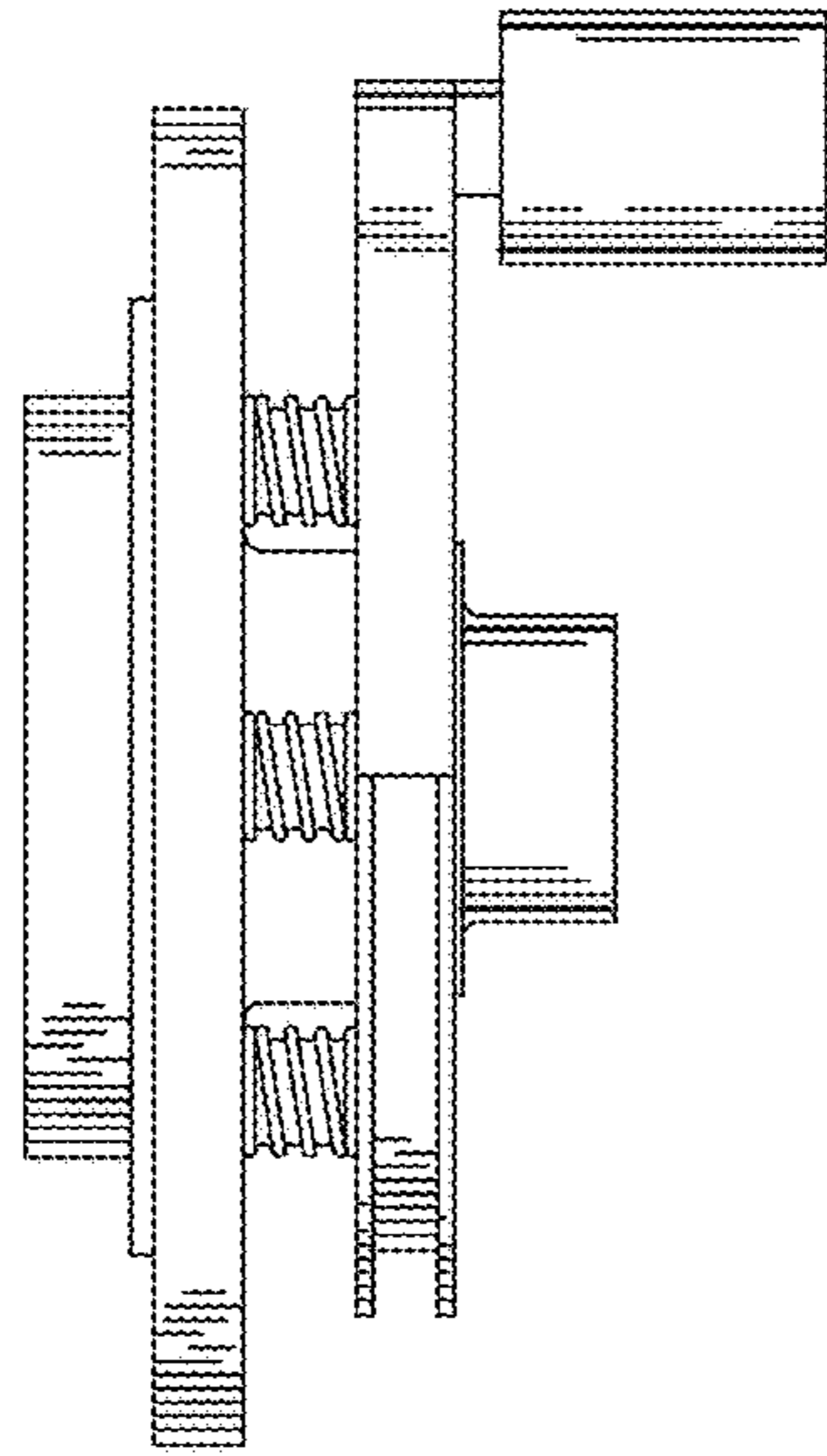


Fig. 4

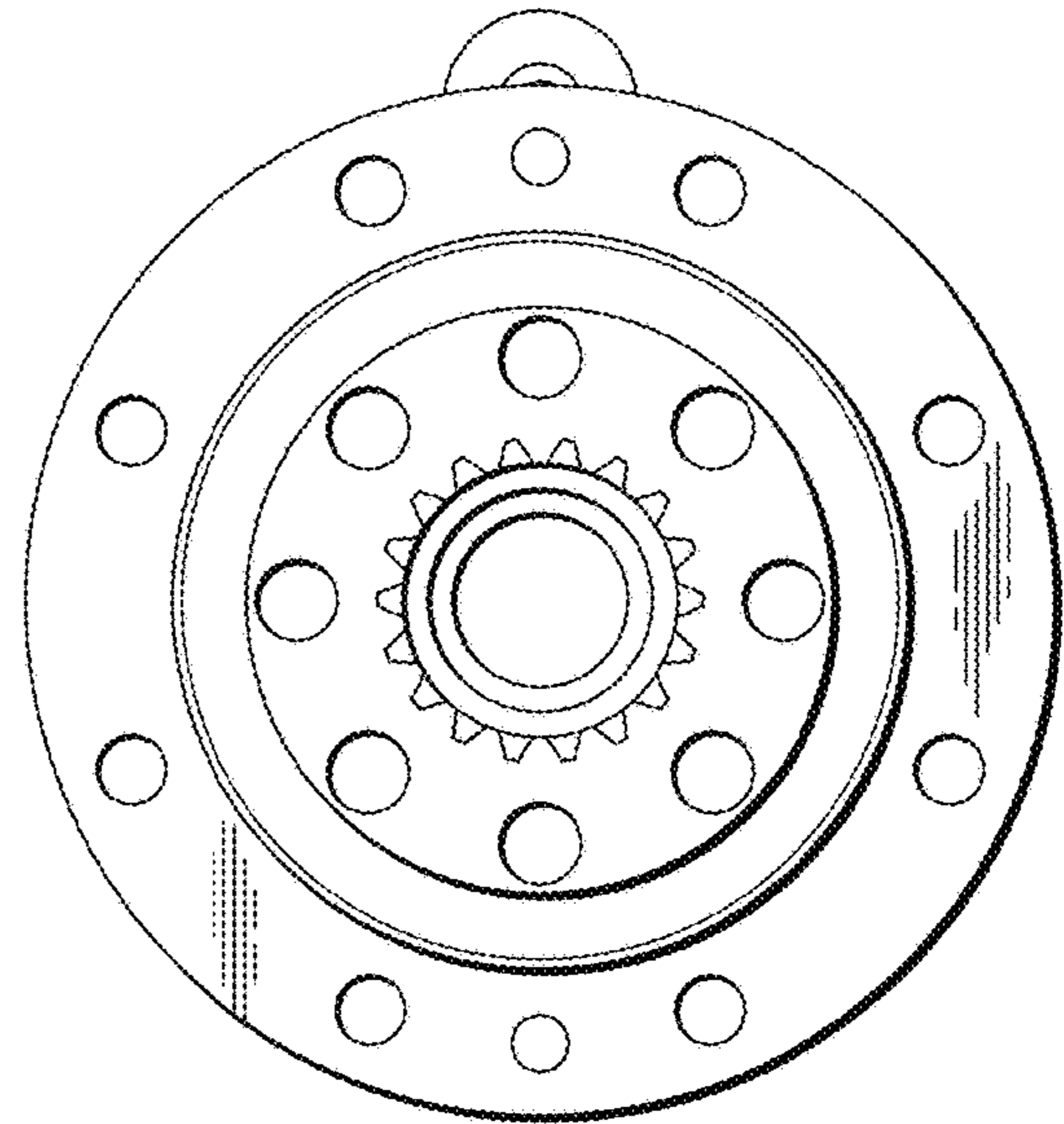


Fig. 6

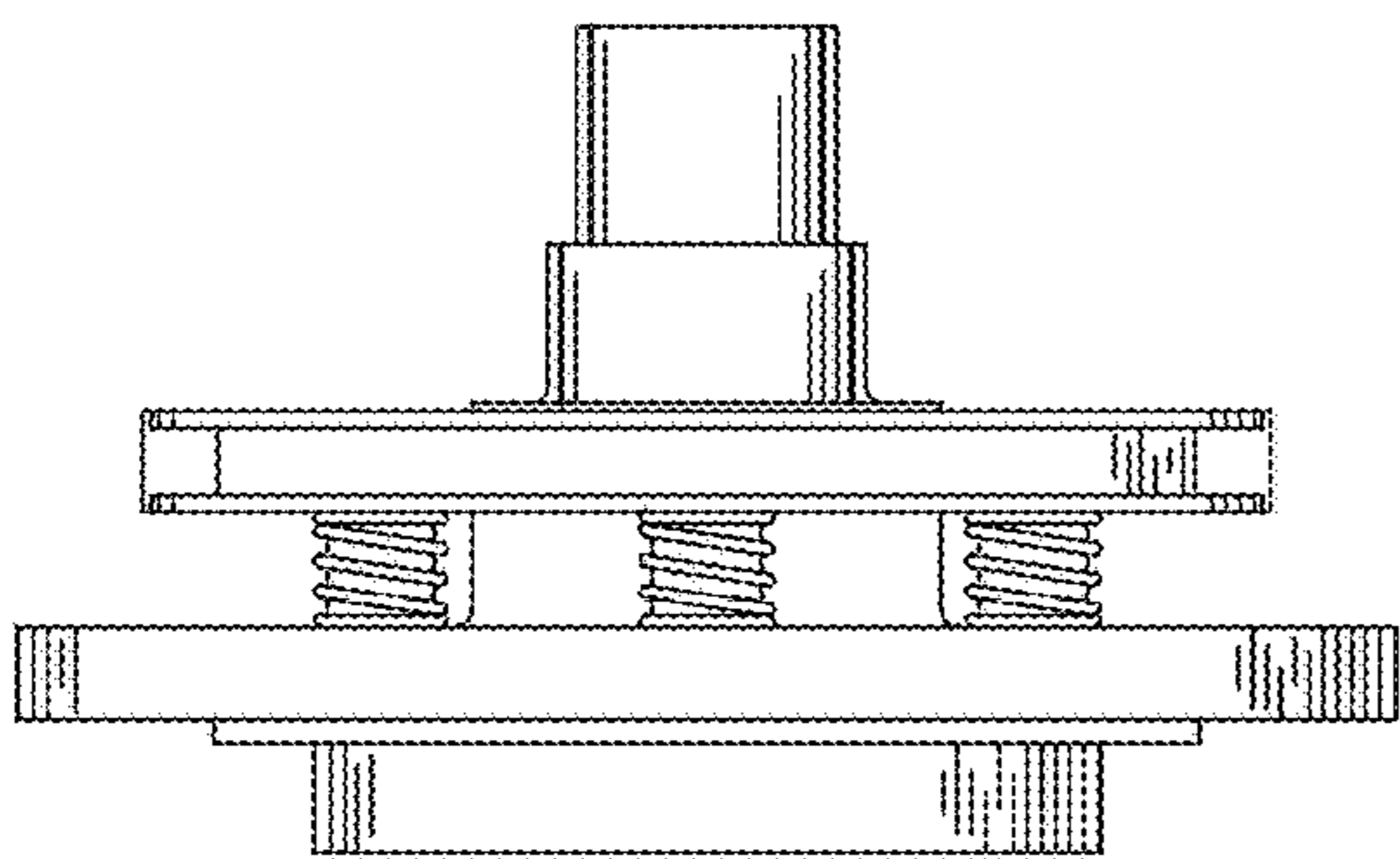


Fig. 5