



US00D789172S

(12) **United States Design Patent**  
**Tomizawa et al.**

(10) **Patent No.:** **US D789,172 S**  
(45) **Date of Patent:** **\*\* Jun. 13, 2017**

(54) **HINGE**

D635,433 S \* 4/2011 Le ..... D8/327  
D653,097 S \* 1/2012 Hatano ..... D8/328  
D748,451 S \* 2/2016 Tung ..... D8/328

(71) Applicant: **SUGATSUNE KOGYO CO., LTD.**,  
Chiyoda-ku, Tokyo (JP)

\* cited by examiner

(72) Inventors: **Kenji Tomizawa**, Chiyoda-ku (JP);  
**Hideki Ogasawara**, Tokyo (JP)

*Primary Examiner* — Cynthia Underwood

(73) Assignee: **SUGATSUNE KOGYO CO., LTD.**,  
Chiyoda-ku (JP)

(74) *Attorney, Agent, or Firm* — Masuvalley & Partners

(\*\*) Term: **15 Years**

(57) **CLAIM**

(21) Appl. No.: **29/561,744**

The ornamental design for a hinge, as shown and described.

(22) Filed: **Apr. 19, 2016**

(30) **Foreign Application Priority Data**

**DESCRIPTION**

Oct. 20, 2015 (JP) ..... 2015-023190  
Oct. 20, 2015 (JP) ..... 2015-023191

(51) **LOC (10) Cl.** ..... **08-06**

(52) **U.S. Cl.**  
USPC ..... **D8/328**

(58) **Field of Classification Search**  
USPC ..... D8/323, 328; 16/387, 342, 337;  
D23/323  
CPC .. E05D 1/00; E05D 11/06; E05D 5/10; E05D  
3/02; E05D 11/082; A47K 13/12  
See application file for complete search history.

FIG. 1 is a perspective view of a hinge according to the invention;  
FIG. 2 is a front elevation view of the hinge of FIG. 1;  
FIG. 3 is a rear elevation view of the hinge of FIG. 1;  
FIG. 4 is a top plan view of the hinge of FIG. 1;  
FIG. 5 is a bottom plan view of the hinge of FIG. 1;  
FIG. 6 is a right side elevation view of the hinge of FIG. 1;  
FIG. 7 is a left side elevation view of the hinge of FIG. 1;  
FIG. 8 is a perspective view of the hinge of FIG. 1 in a closed state; and,  
FIG. 9 is a plan view of the hinge of FIG. 1 in the closed state.

(56) **References Cited**

**U.S. PATENT DOCUMENTS**

D418,736 S \* 1/2000 Perkins ..... D8/328  
D622,576 S \* 8/2010 Farkas ..... D8/328

The broken line showing of the hinge is for the purpose of illustrating portions of the hinge and forms no part of the claimed design.

**1 Claim, 8 Drawing Sheets**

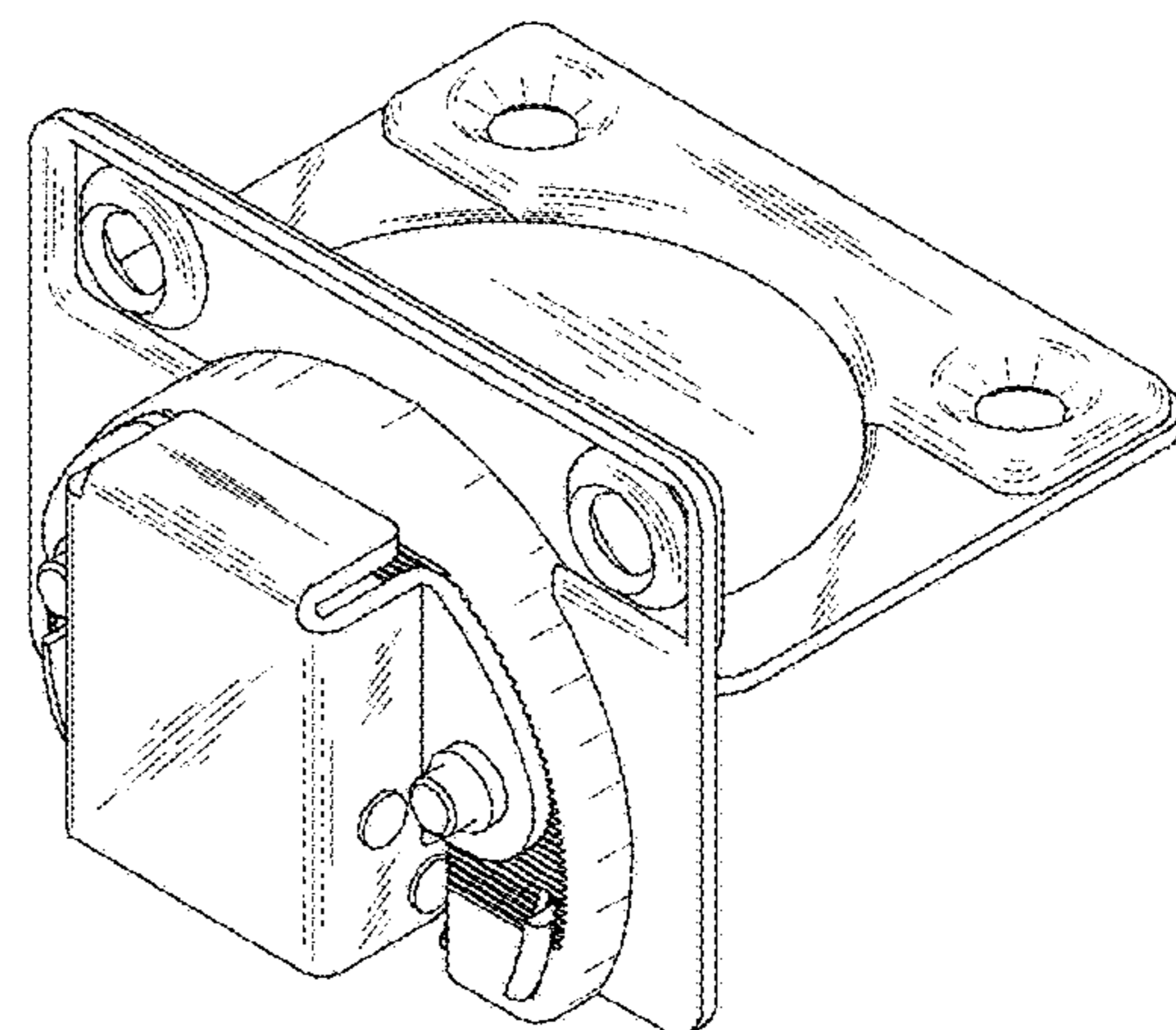
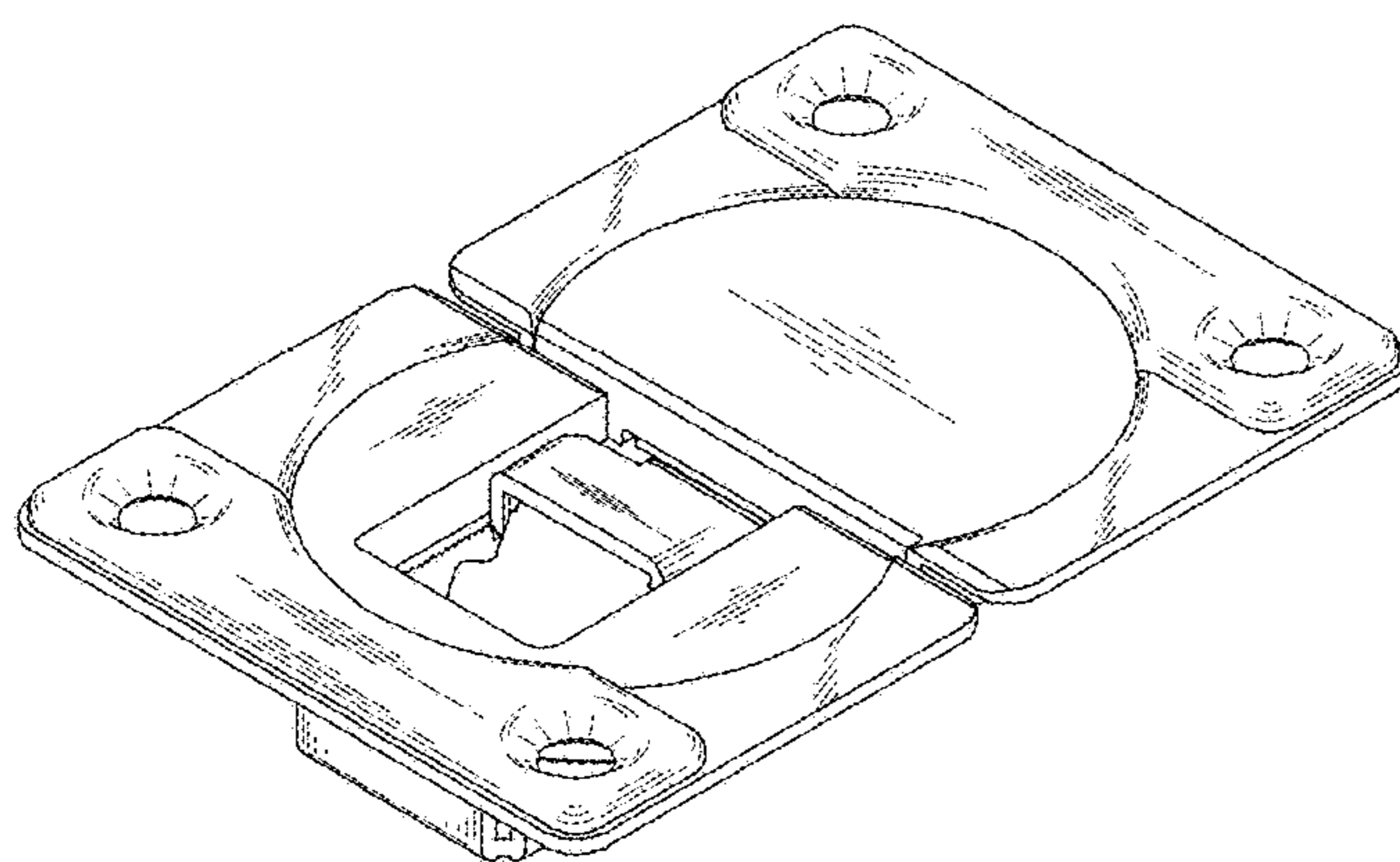


FIG. 1

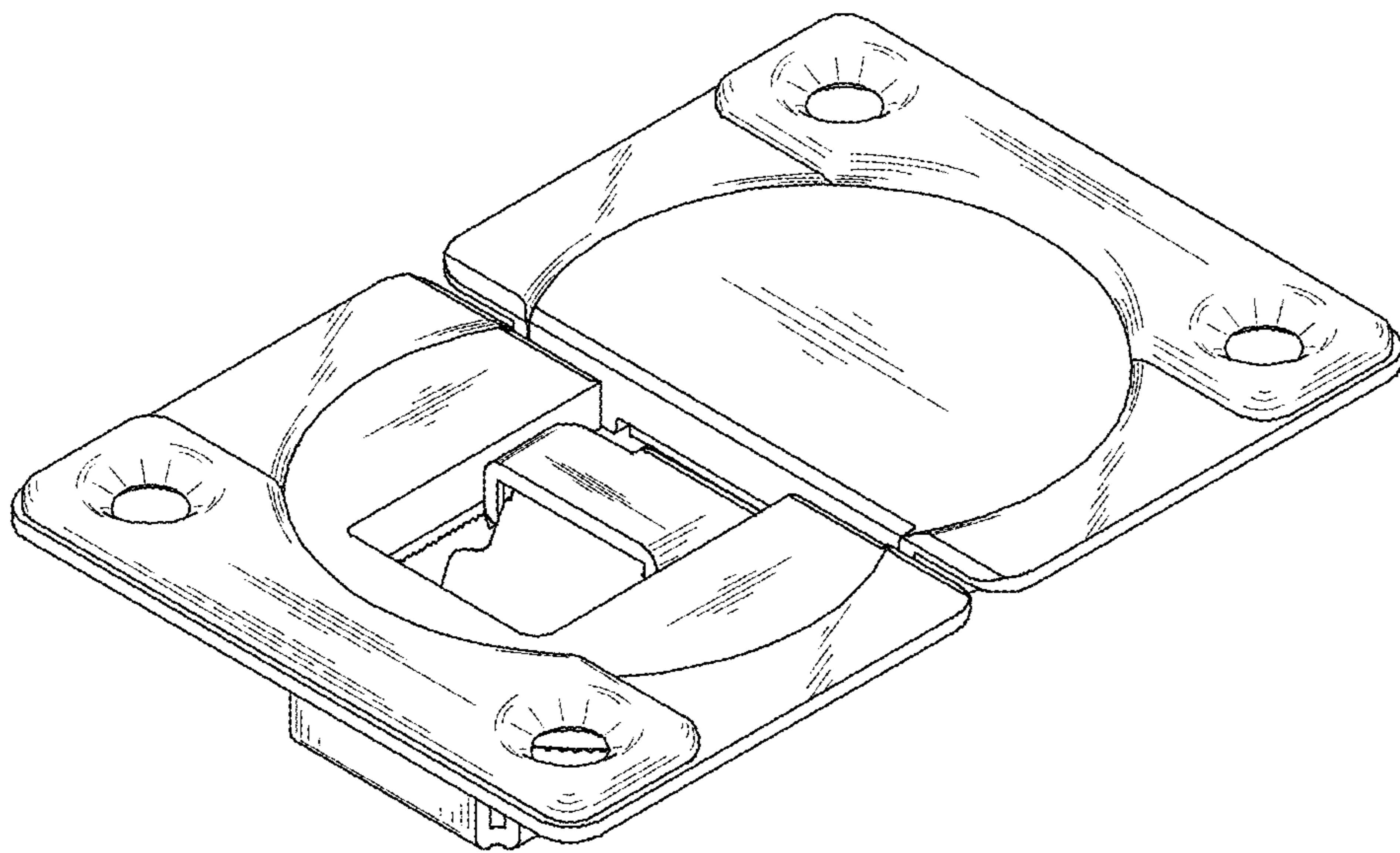


FIG. 2

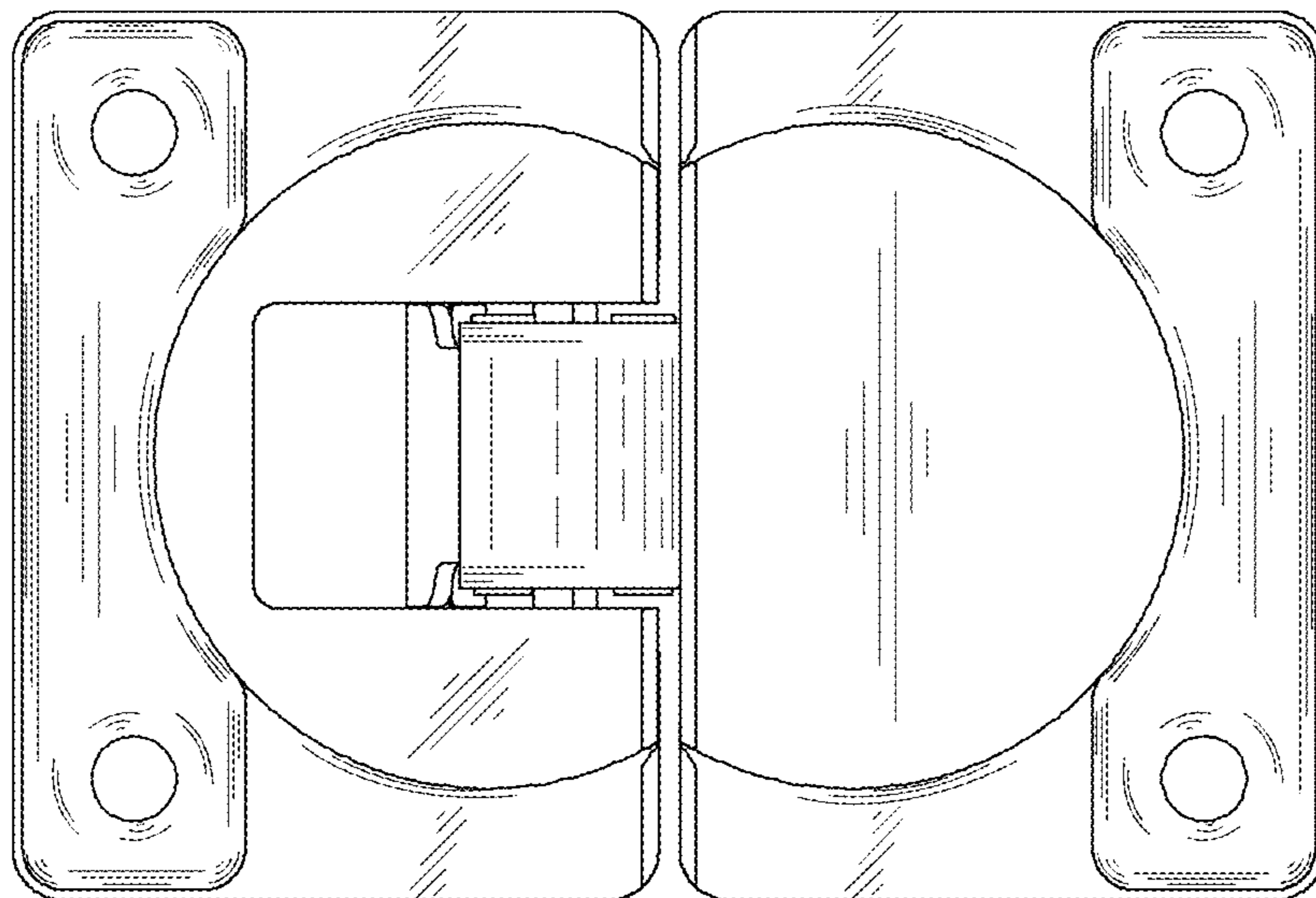


FIG. 3

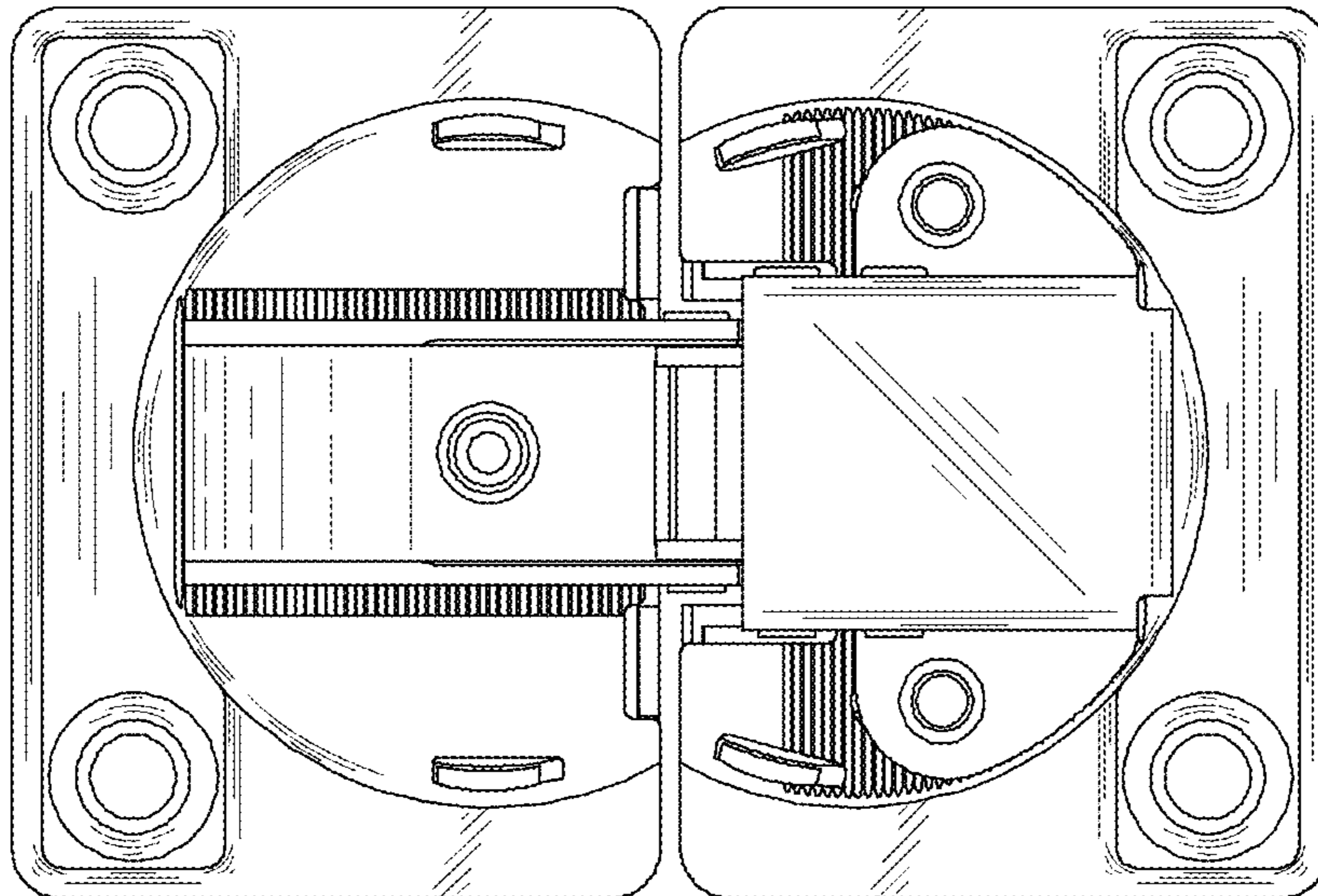


FIG. 4

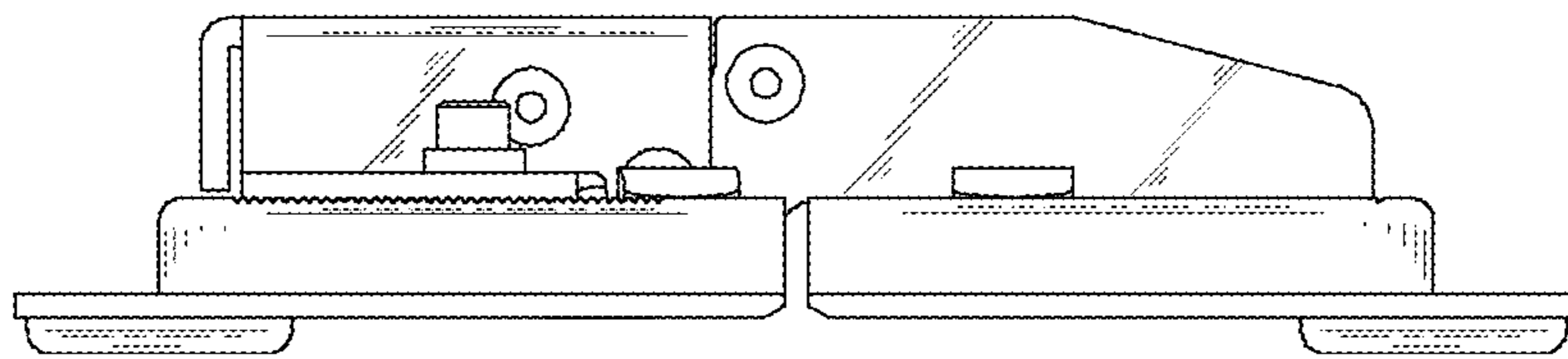


FIG. 5

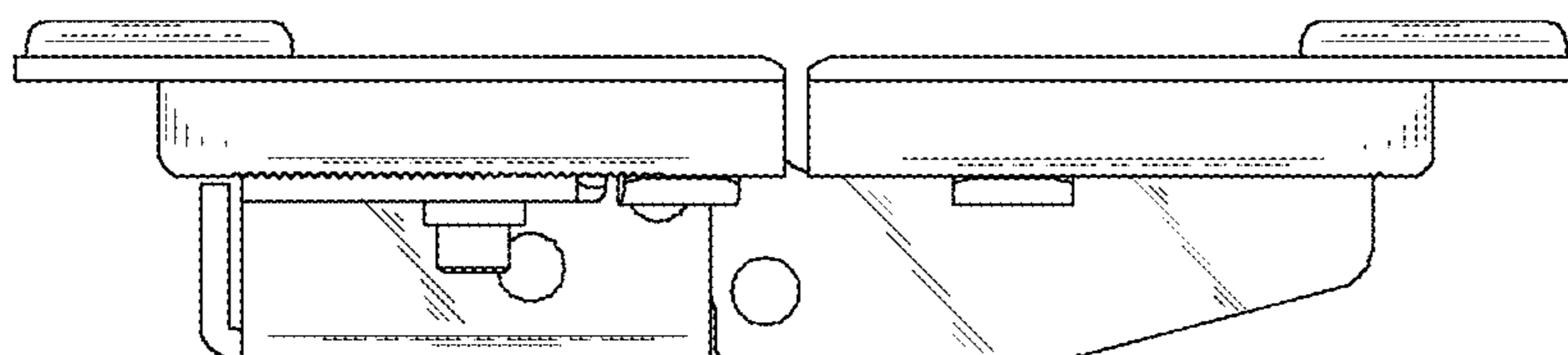


FIG. 6

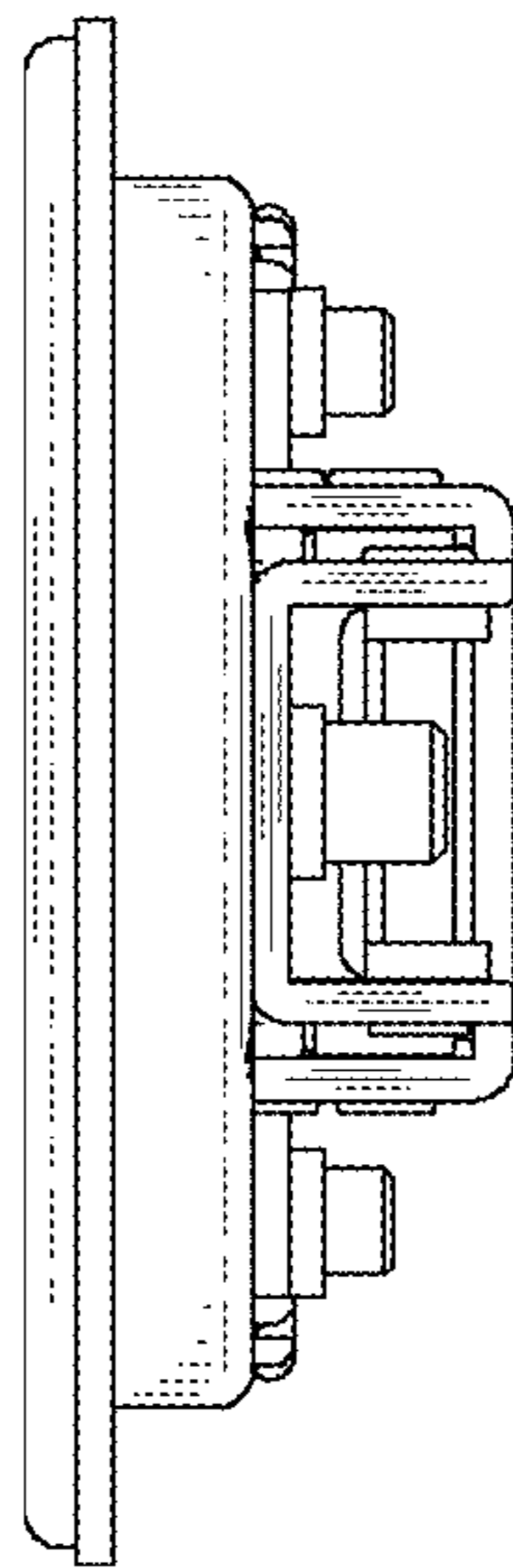


FIG. 7

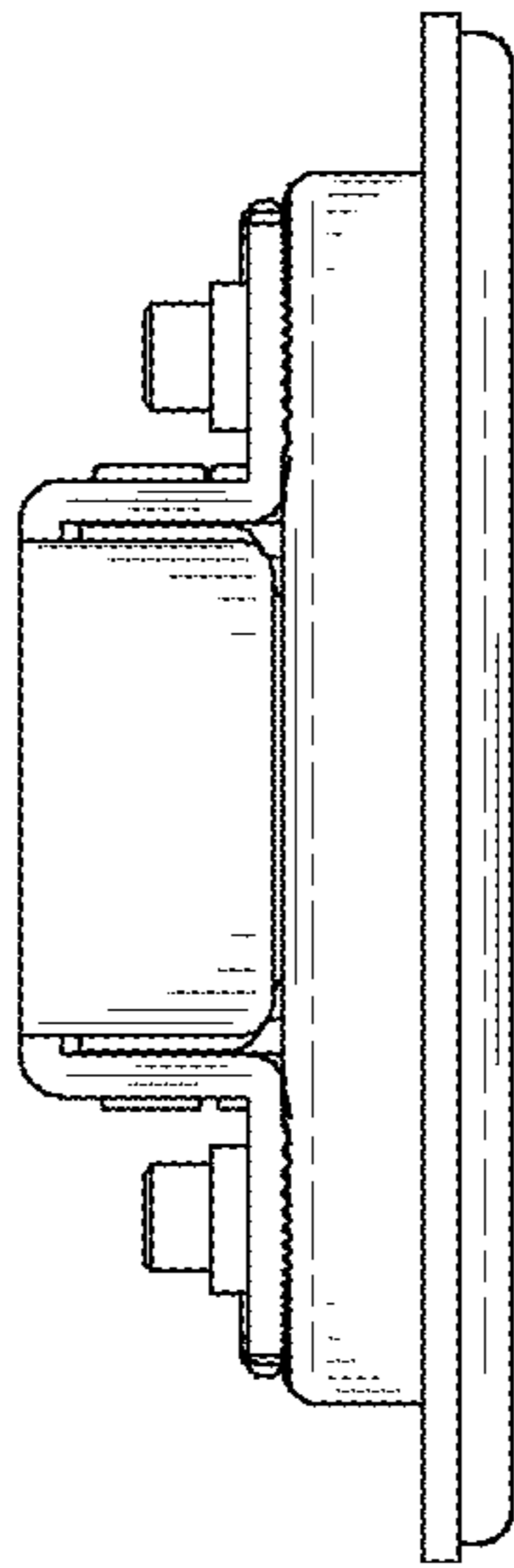


FIG. 8

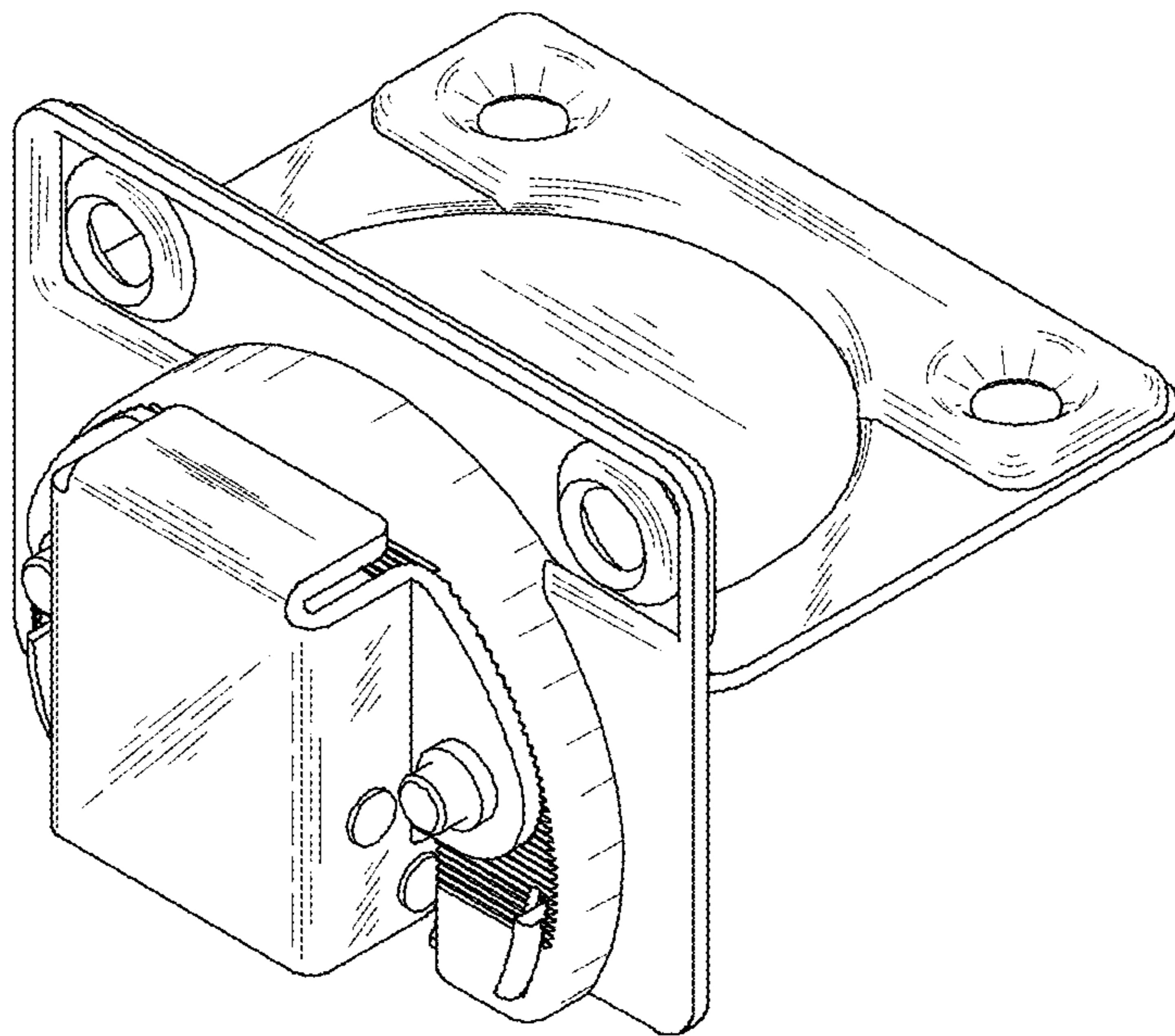




FIG. 9

