



US00D789166S

(12) **United States Design Patent**
Cigarini et al.

(10) **Patent No.:** **US D789,166 S**
(45) **Date of Patent:** **** Jun. 13, 2017**

(54) **HEAD TRIMMER**
(71) Applicant: **TECOMEC S.R.L.**, Reggio Emilia (RE) (IT)
(72) Inventors: **Enrico Cigarini**, Reggio Emilia (IT); **Salvatore Longo**, Cadelbosco Sopra (IT)
(73) Assignee: **TECOMEC S.R.L.**, Reggio Emilia (IT)
(**) Term: **14 Years**

D668,517 S	10/2012	Landberg	
8,689,451 B2	4/2014	Cigarini	
D715,608 S	10/2014	Cigarini	
8,869,405 B2	10/2014	Codeluppi et al.	
8,925,206 B2	1/2015	Cigarini	
D763,640 S	8/2016	Cigarini et al.	
D776,995 S	1/2017	Schoch	
2002/0189107 A1	12/2002	Arnetoli	
2007/0214655 A1*	9/2007	Arnetoli	A01D 34/4166 30/276
2008/0053052 A1	3/2008	Cigarini	
2011/0214295 A1*	9/2011	Proulx	A01D 34/416 30/276

(Continued)

(21) Appl. No.: **29/516,261**

FOREIGN PATENT DOCUMENTS

(22) Filed: **Jan. 30, 2015**

WO 2013179318 A1 12/2013

(30) **Foreign Application Priority Data**

Primary Examiner — Sandra Snapp
Assistant Examiner — Ieisha Price
(74) *Attorney, Agent, or Firm* — Pearne & Gordon LLP

Oct. 21, 2014 (EM) 002561498-0001

(51) **LOC (10) Cl.** **08-01**

(52) **U.S. Cl.**
USPC **D8/8**

(57) **CLAIM**

The ornamental design for a head trimmer, as shown and described.

(58) **Field of Classification Search**
USPC D8/1, 7, 8, 9, 383, 499; D15/17
CPC A01D 34/412; A01D 34/416; A01D 34/01;
A01D 34/4161; A01D 34/4165; A01D
34/4166; A01D 34/4167
See application file for complete search history.

DESCRIPTION

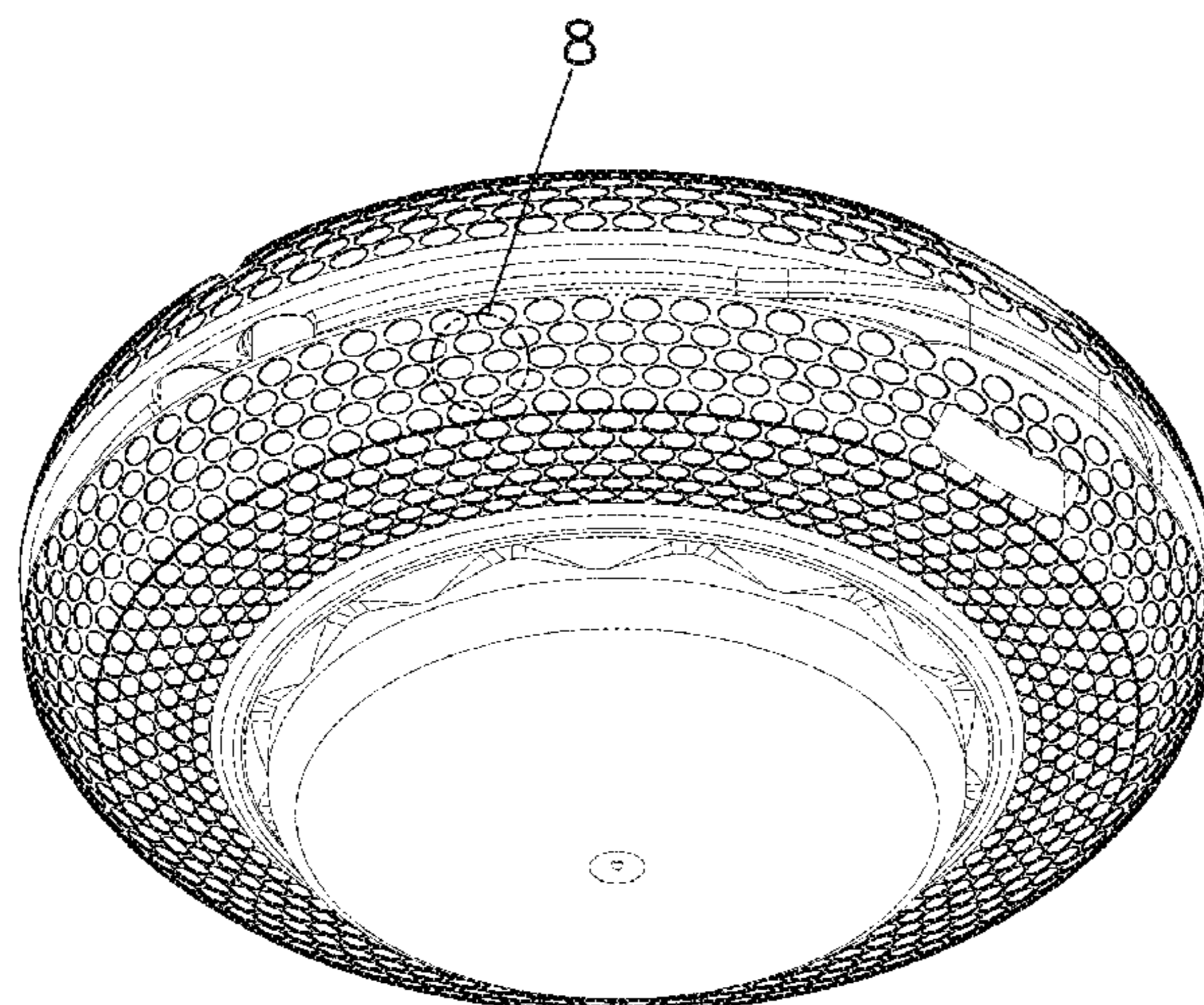
FIG. 1 is a perspective view of a head trimmer, showing our new design;
FIG. 2 is a top view thereof;
FIG. 3 is a bottom view thereof;
FIG. 4 is a front view thereof;
FIG. 5 is a back view thereof;
FIG. 6 is a left side view thereof;
FIG. 7 is a right side view thereof; and,
FIG. 8 is an enlarged view of portion 8 of FIG. 1. The oval details of all the Figs. correspond to the oval details shown in FIG. 8.
The broken lines in the drawings illustrate portions of the head trimmer and form no part of the claimed design.

(56) **References Cited**

U.S. PATENT DOCUMENTS

4,152,832 A	5/1979	Akaike et al.	
4,195,408 A	4/1980	Palmieri et al.	
4,276,691 A	7/1981	Palmieri et al.	
4,349,962 A	9/1982	Itagaki et al.	
D346,727 S *	5/1994	Eriksson	D8/8
D482,941 S *	12/2003	Nystrom	D8/8
D630,068 S *	1/2011	Proulx	D8/8
D638,678 S *	5/2011	Proulx	D8/8
D638,679 S *	5/2011	Proulx	D8/8
D653,920 S	2/2012	Cigarini	

1 Claim, 8 Drawing Sheets



(56)

References Cited

U.S. PATENT DOCUMENTS

2011/0302791 A1* 12/2011 Proulx A01D 34/4165
30/287
2014/0215835 A1 8/2014 Racov et al.
2014/0250699 A1* 9/2014 Weimer A01D 34/4166
30/347
2014/0259692 A1 9/2014 Racov et al.
2016/0106032 A1* 4/2016 Cigarini A01D 34/4163
30/276
2016/0106033 A1* 4/2016 Longo A01D 34/416
30/276
2016/0106035 A1* 4/2016 Longo A01D 34/416
30/276
2016/0143219 A1 5/2016 Yuan et al.
2016/0235001 A1 8/2016 Cigarini et al.

* cited by examiner

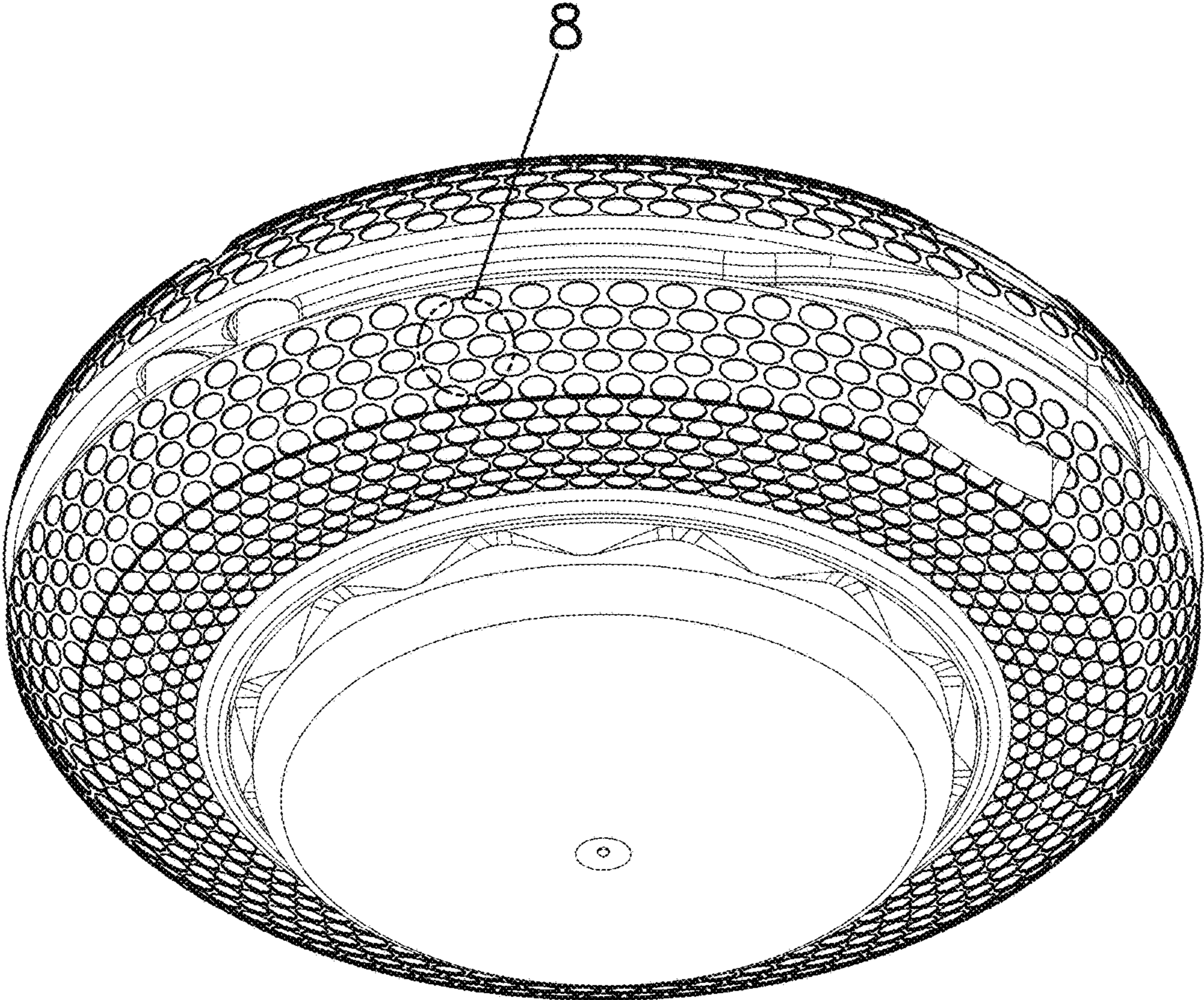


FIG. 1

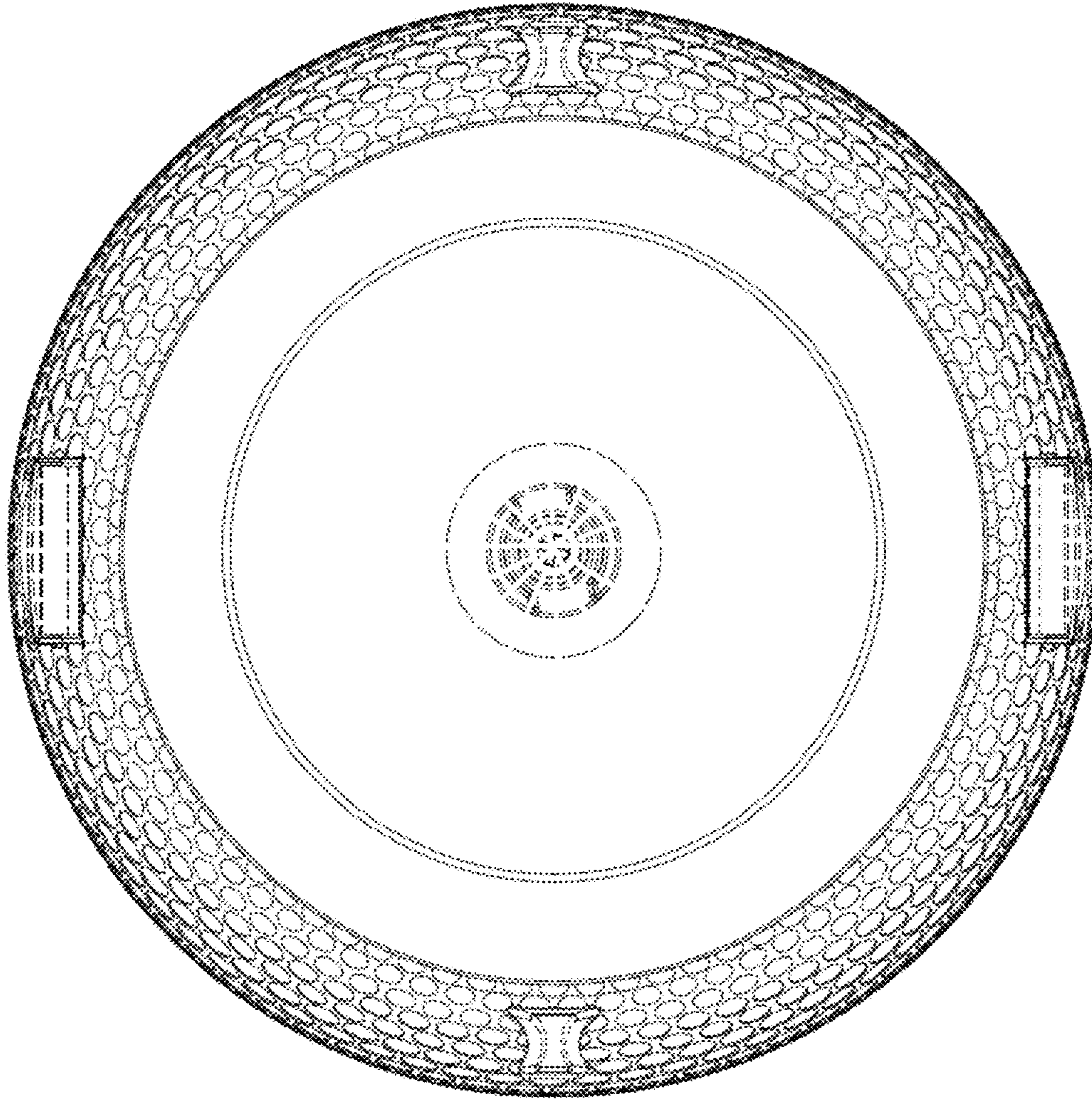


FIG. 2

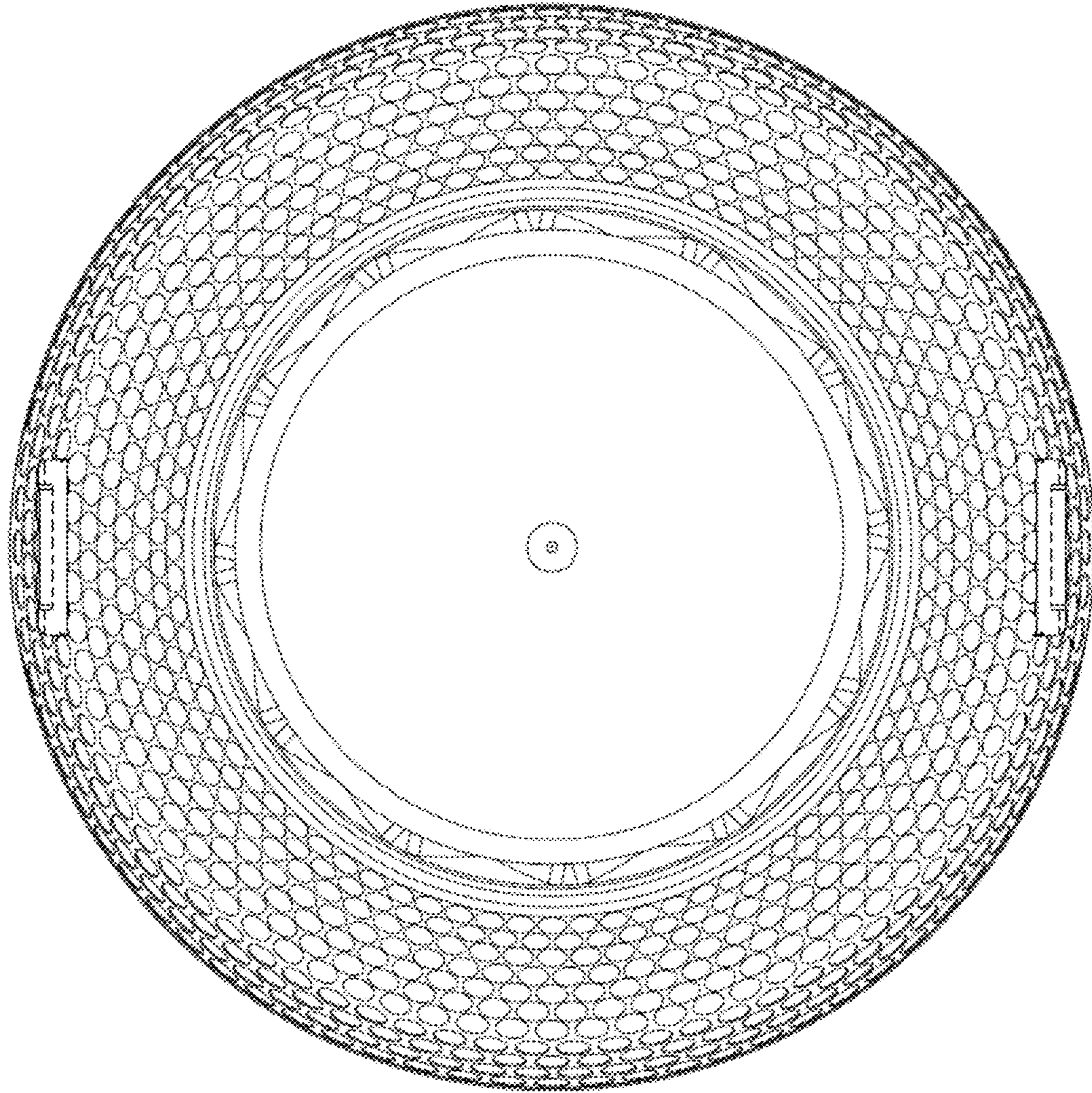


FIG. 3

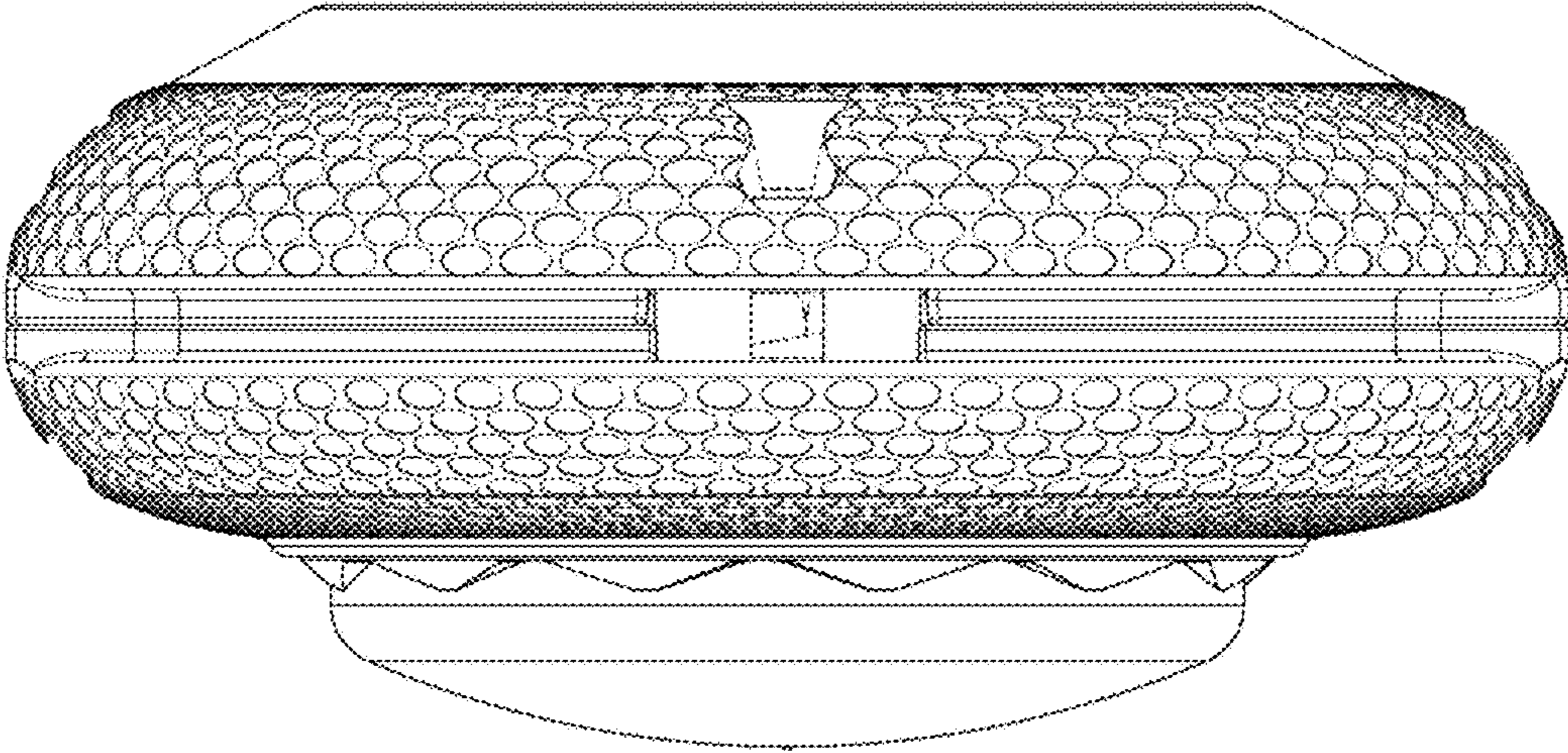


FIG. 4

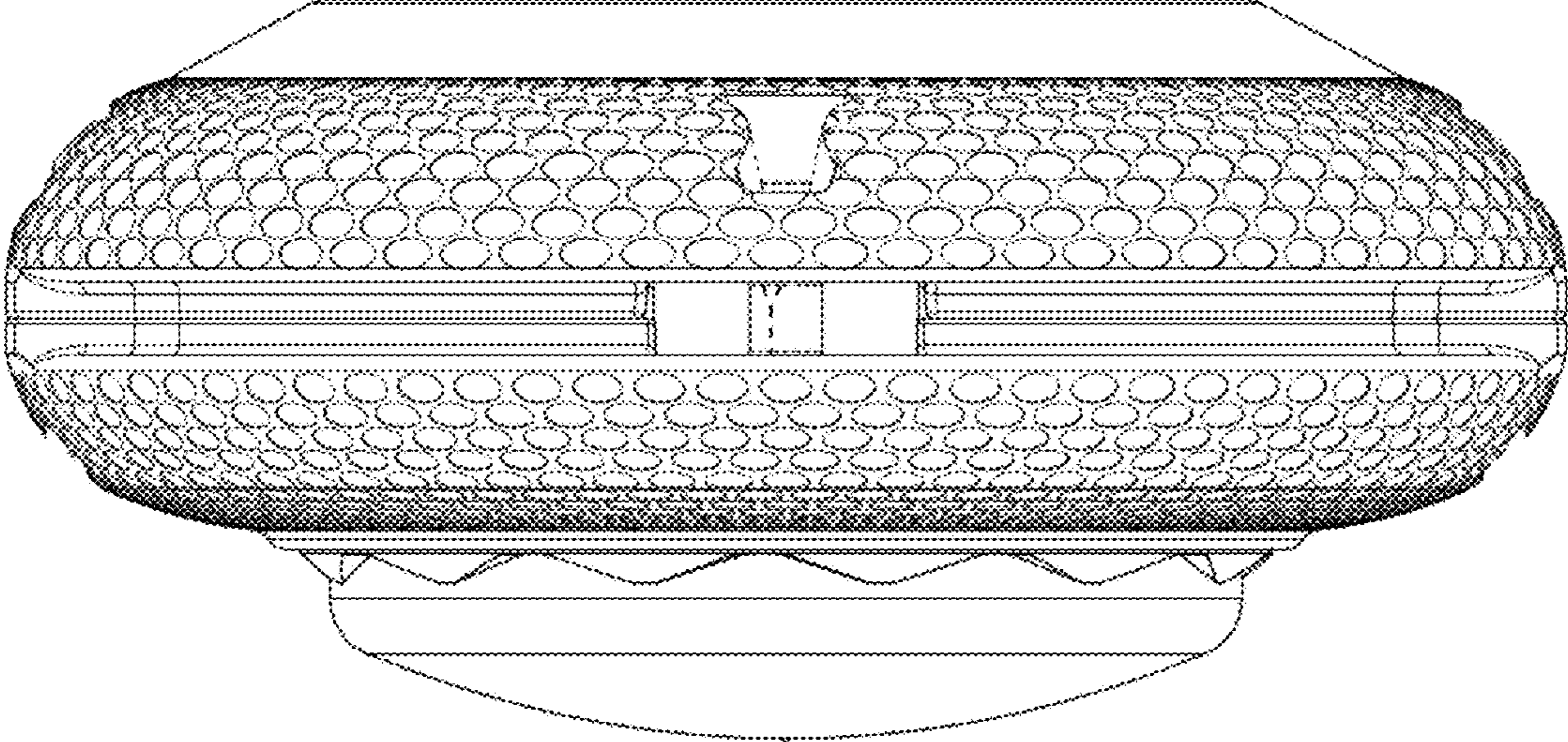


FIG. 5

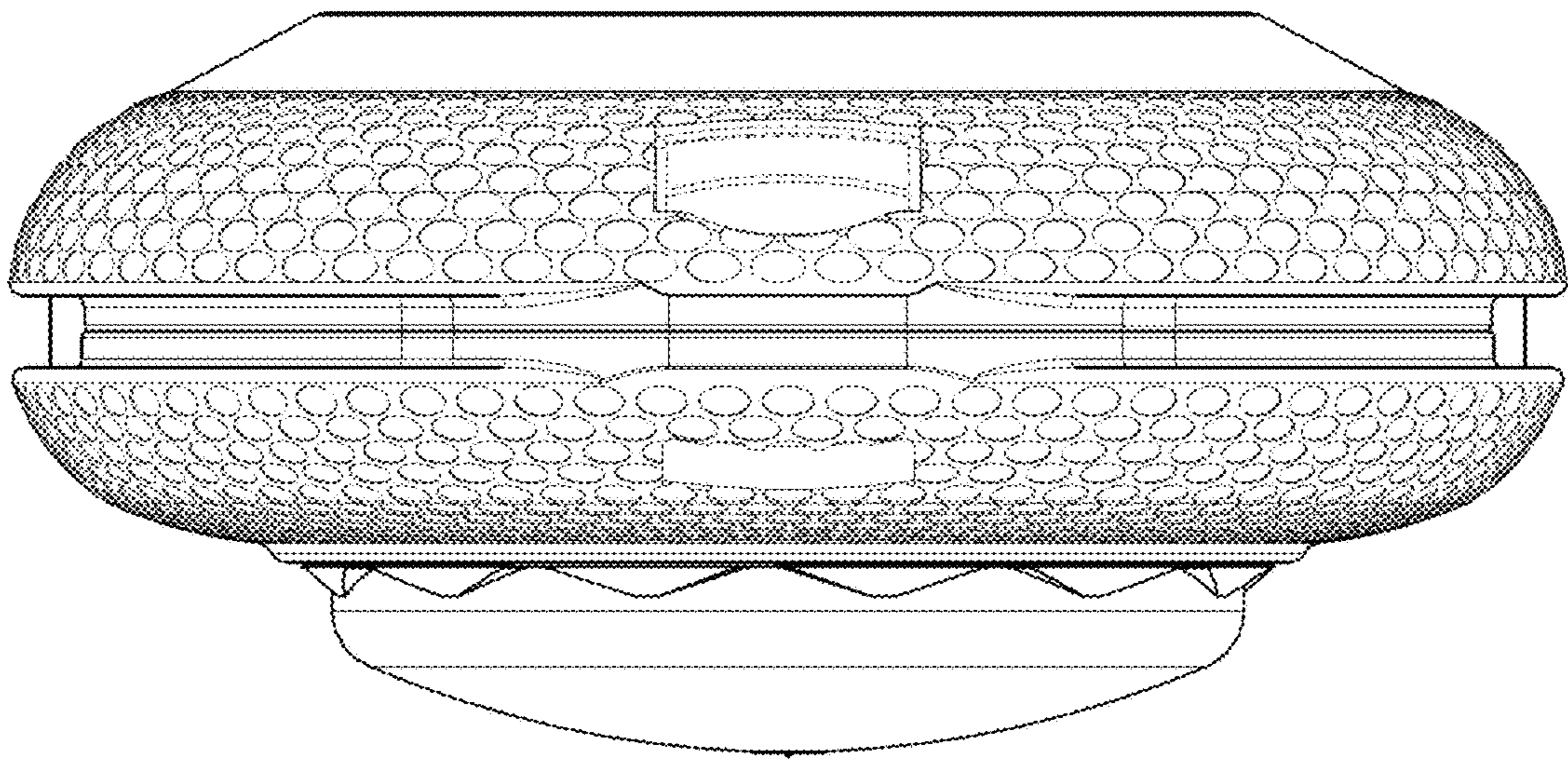


FIG. 6

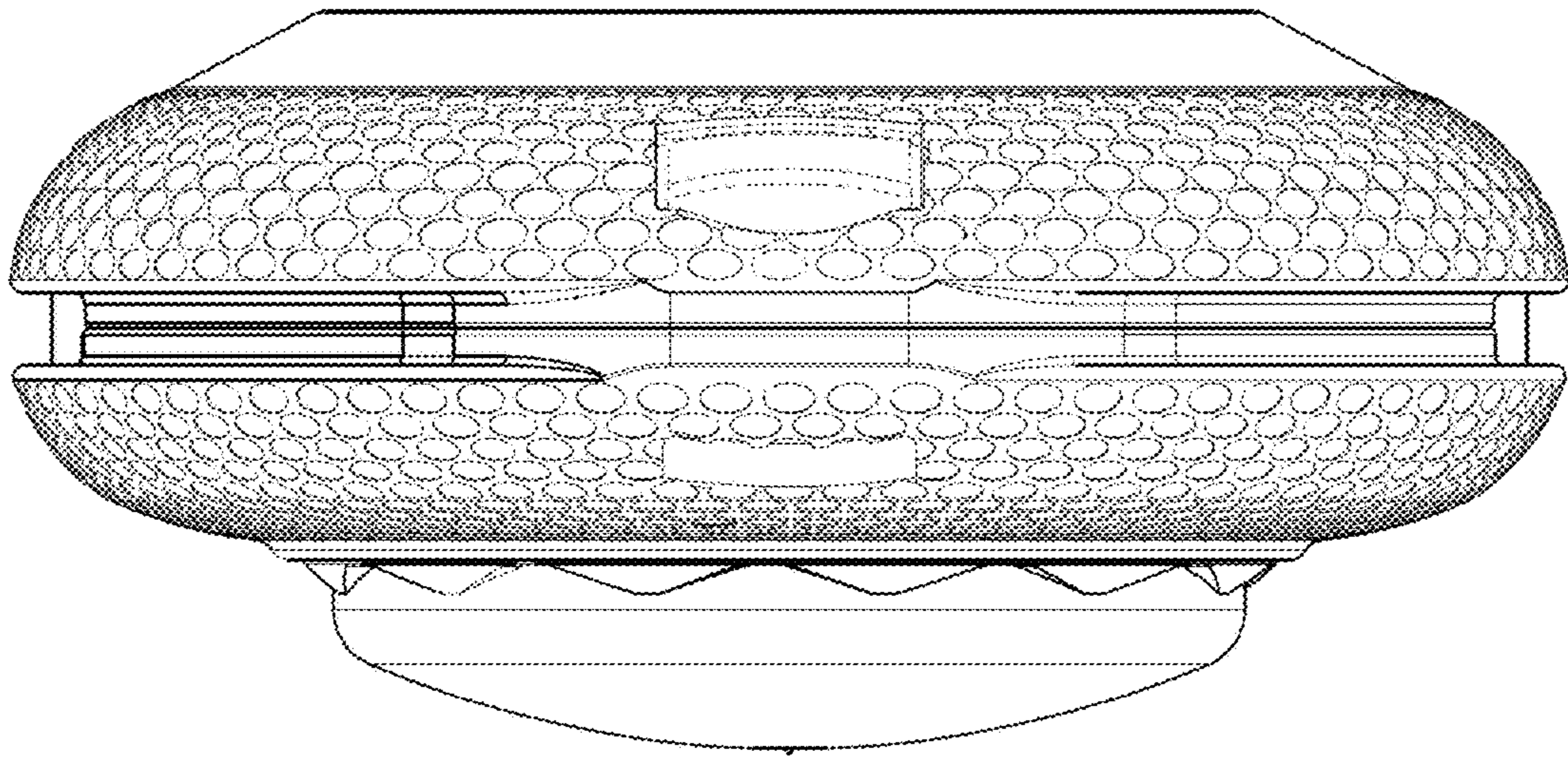


FIG. 7

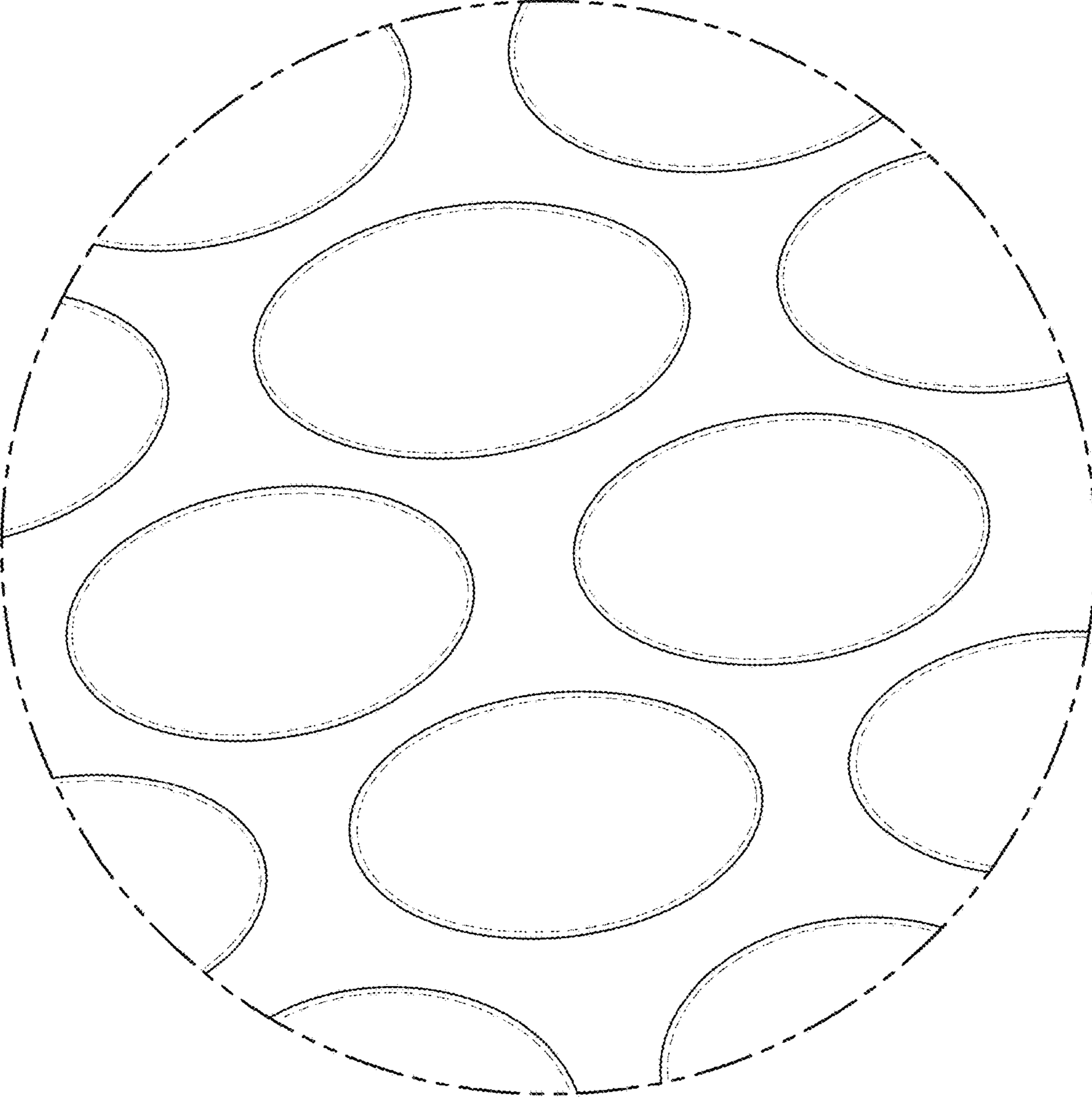


FIG. 8