



US00D789164S

(12) **United States Design Patent**
Peterson

(10) **Patent No.:** **US D789,164 S**

(45) **Date of Patent:** **** Jun. 13, 2017**

- (54) **DISPLAY RACK FOR WINE**
- (71) Applicant: **Daniel W. Peterson**, Big Sur, CA (US)
- (72) Inventor: **Daniel W. Peterson**, Big Sur, CA (US)

(**) Term: **15 Years**

(21) Appl. No.: **29/535,630**

(22) Filed: **Aug. 7, 2015**

(51) **LOC (10) Cl.** **06-04**

(52) **U.S. Cl.**
USPC **D7/704**

(58) **Field of Classification Search**
USPC D7/701-708, 600.1-600.4; D6/676.5,
D6/677.5, 678.4, 680.3, 512, 513, 514,
D6/552; D11/143, 144
CPC A47B 73/002; A47B 73/00; A47B 73/008;
A47B 73/73004; A47B 73/006
See application file for complete search history.

(56) **References Cited**

U.S. PATENT DOCUMENTS

- 2,972,414 A * 2/1961 Sipe A47J 47/16
211/41.11
- 4,482,065 A * 11/1984 Altemose A47B 73/00
211/74
- D618,524 S * 6/2010 Nesil D7/704
- D675,491 S * 2/2013 McNamee D7/704
- D714,592 S * 10/2014 Chen D7/704
- D715,103 S * 10/2014 Chen D7/704
- 2004/0104187 A1 * 6/2004 McCain A47B 73/002
211/75

- 2004/0149668 A1 * 8/2004 Fann A47B 73/002
211/74
- 2009/0152221 A1 * 6/2009 Hynes A47B 73/002
211/74
- 2011/0132853 A1 * 6/2011 Drobot A47B 57/562
211/42

* cited by examiner

Primary Examiner — Terry Wallace

(74) *Attorney, Agent, or Firm* — LaRiviere Grubman PC

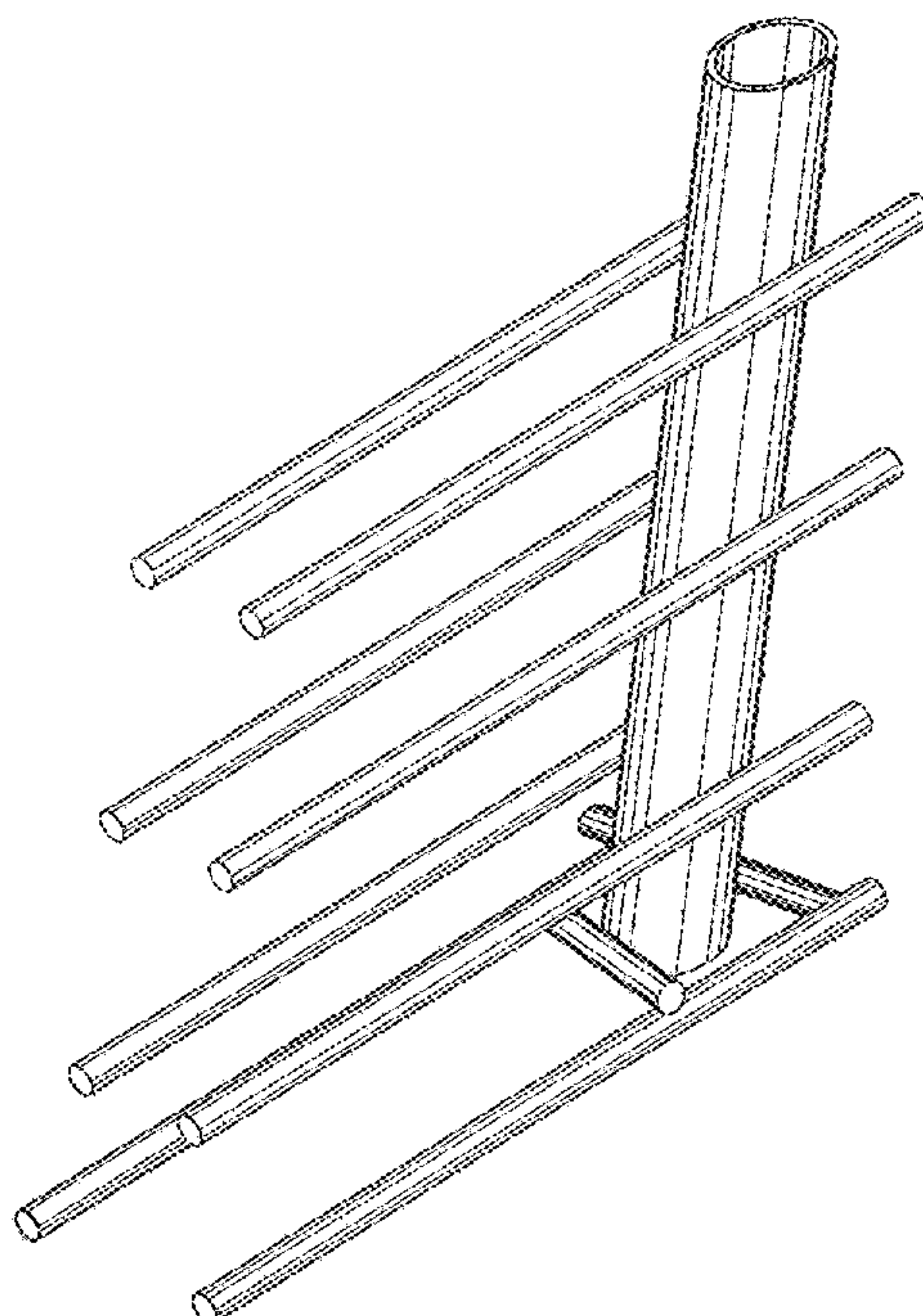
(57) **CLAIM**

The ornamental design for a display rack for wine, as shown and described.

DESCRIPTION

FIG. 1 is a perspective view of a display rack for wine, showing our design;
 FIG. 2 is a front view thereof;
 FIG. 3 is a rear view thereof;
 FIG. 4 is a side view thereof;
 FIG. 5 is an opposing side view thereof;
 FIG. 6 is top view thereof; and
 FIG. 7 is a bottom view thereof;
 FIG. 8 is a perspective view of an alternate embodiment of FIG. 1, the bottles are shown in broken lines for illustrative purposes only and form no part of the claimed design.
 FIG. 9 is a perspective view of FIG. 8.
 FIG. 10 is a front view of FIG. 8.
 FIG. 11 is a rear view of FIG. 8.
 FIG. 12 is a side view of FIG. 8.
 FIG. 13 is an opposing side view of FIG. 8.
 FIG. 14 is a top plan view of FIG. 8; and,
 FIG. 15 is a bottom plan view of FIG. 8.
 The broken lines showing the environment are for illustrative purposes only and form no part of the claimed design.

1 Claim, 10 Drawing Sheets



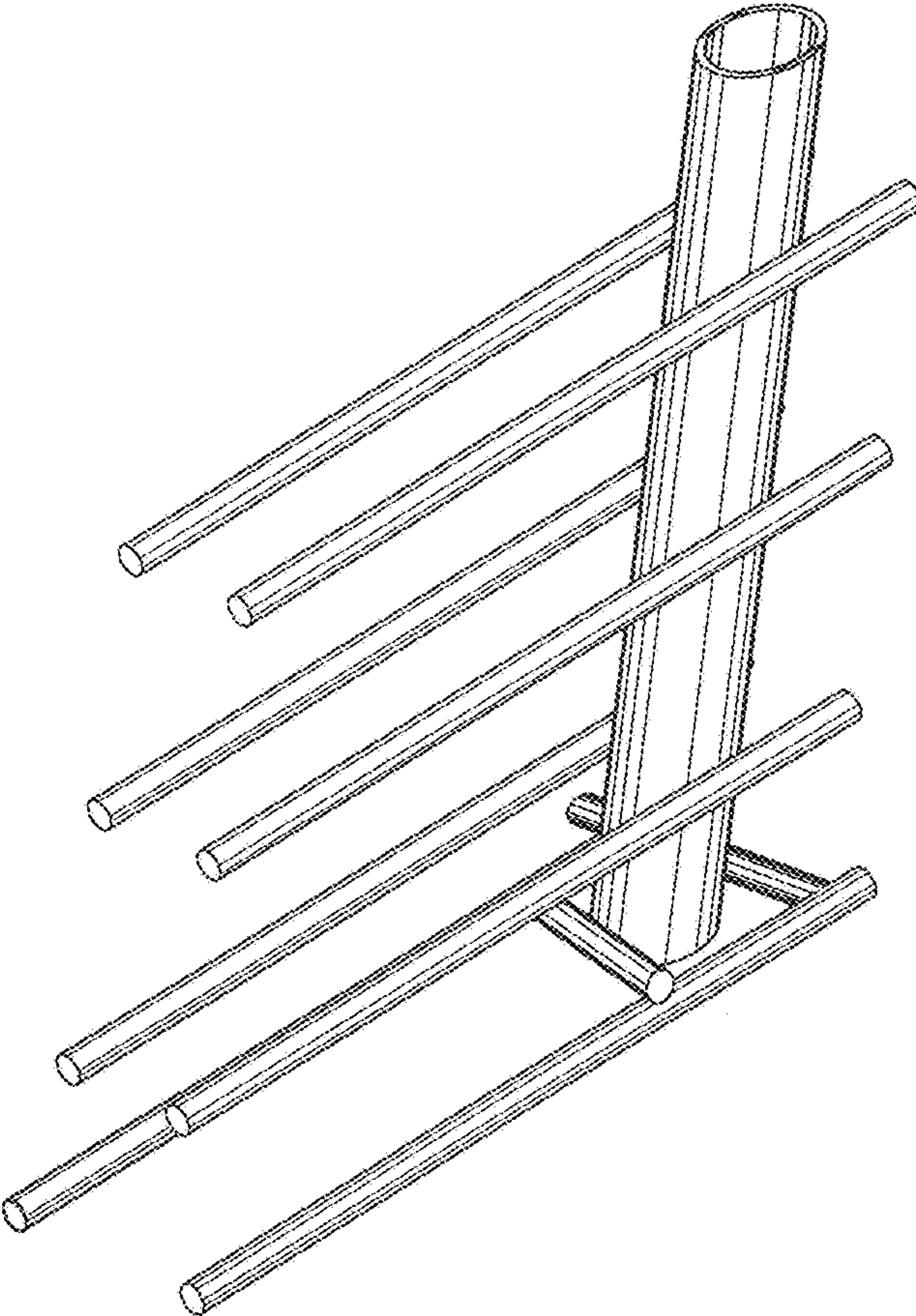


FIG. 1

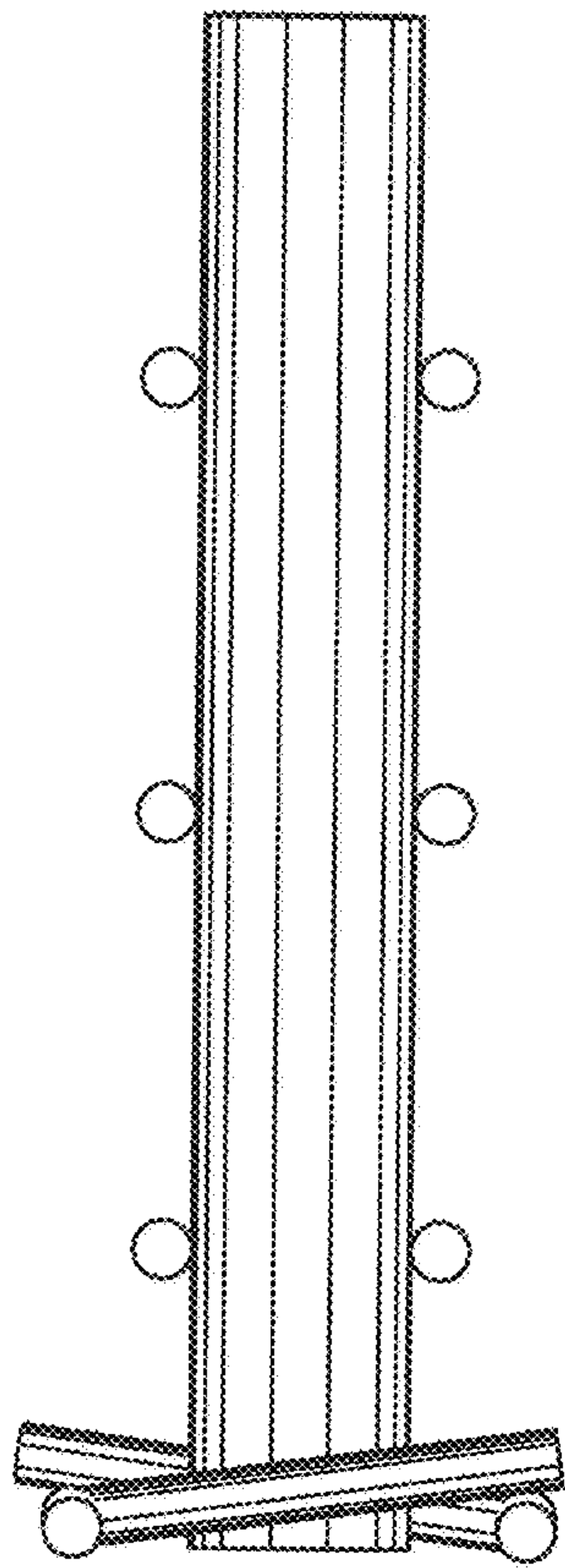


FIG. 2

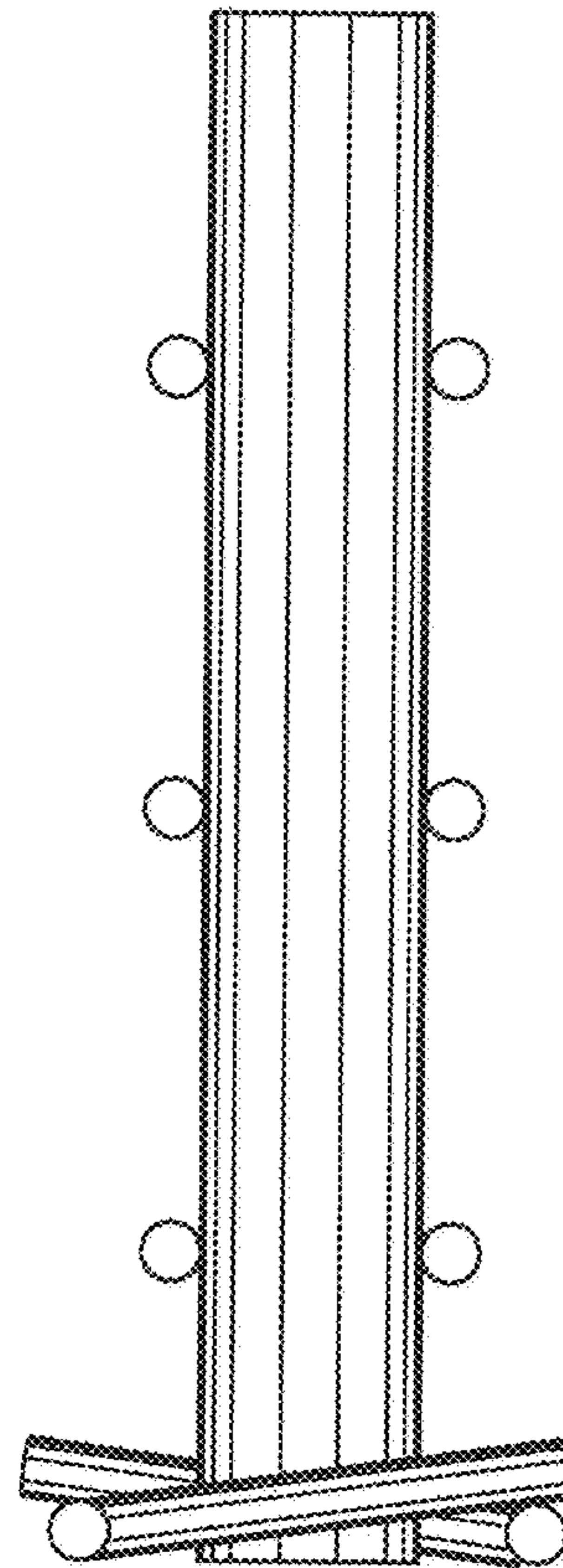


FIG. 3

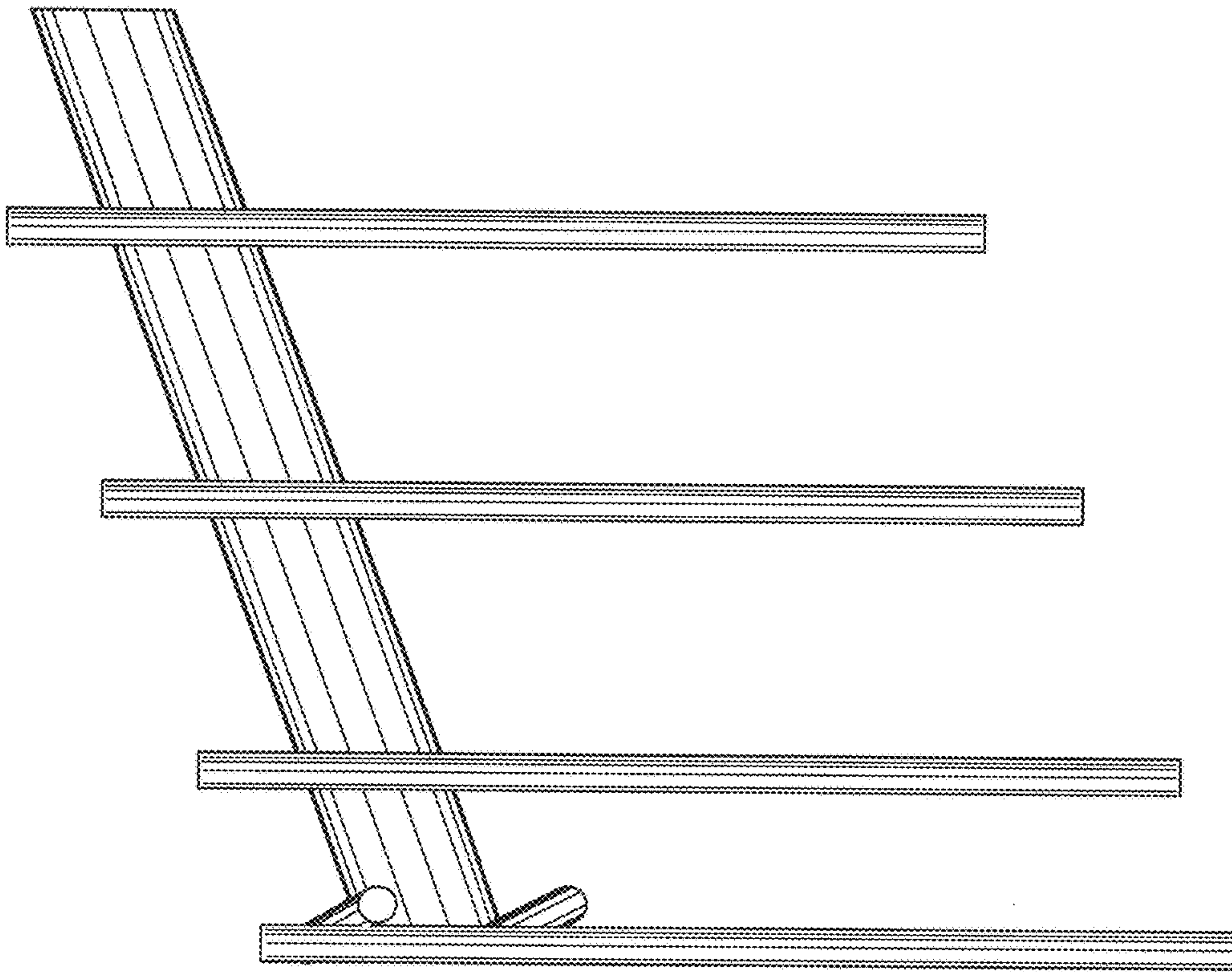


FIG. 4

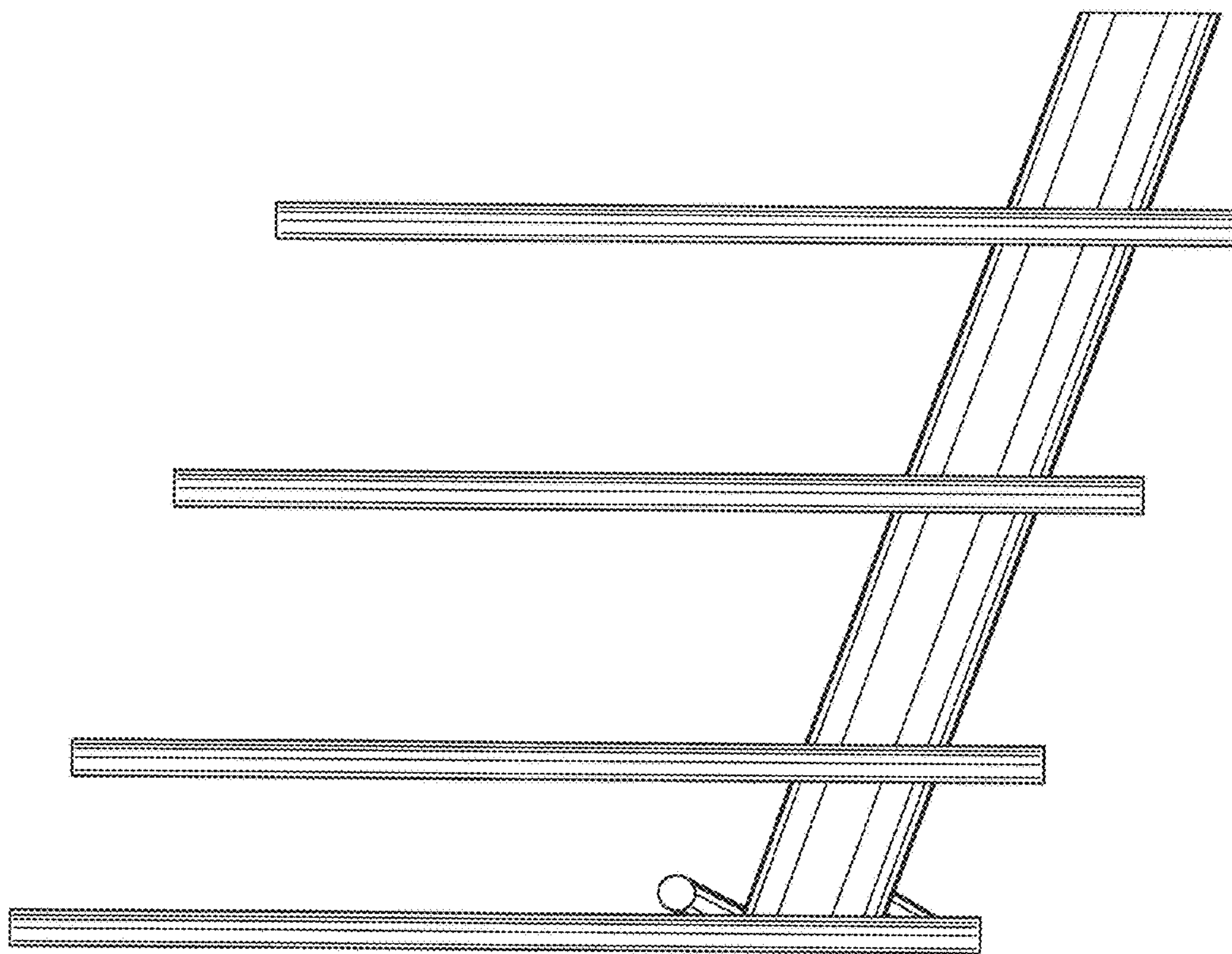


FIG. 5

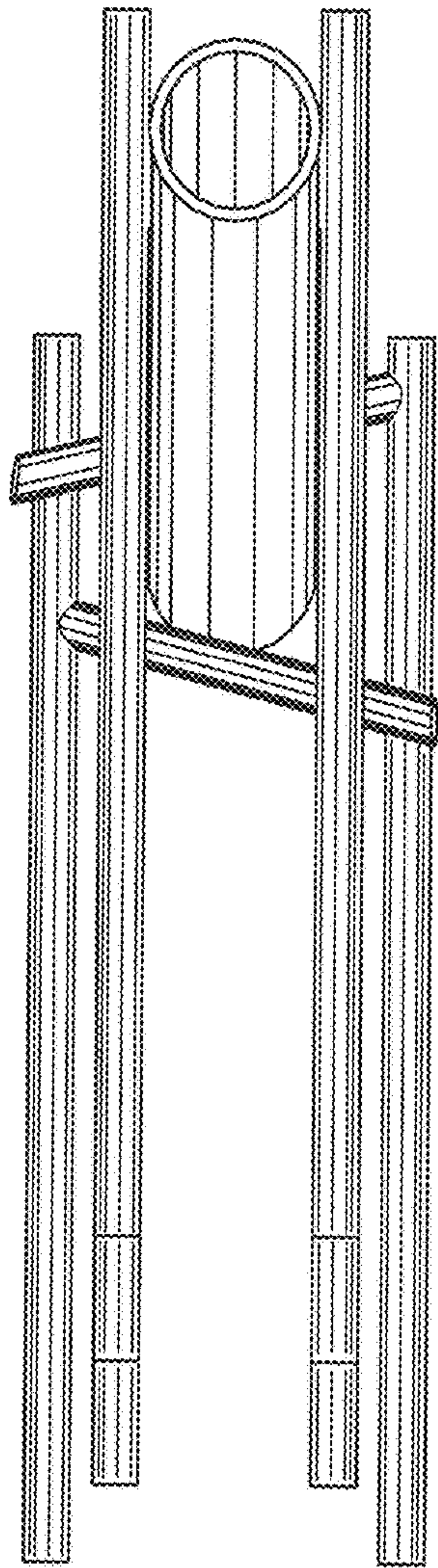


FIG. 6

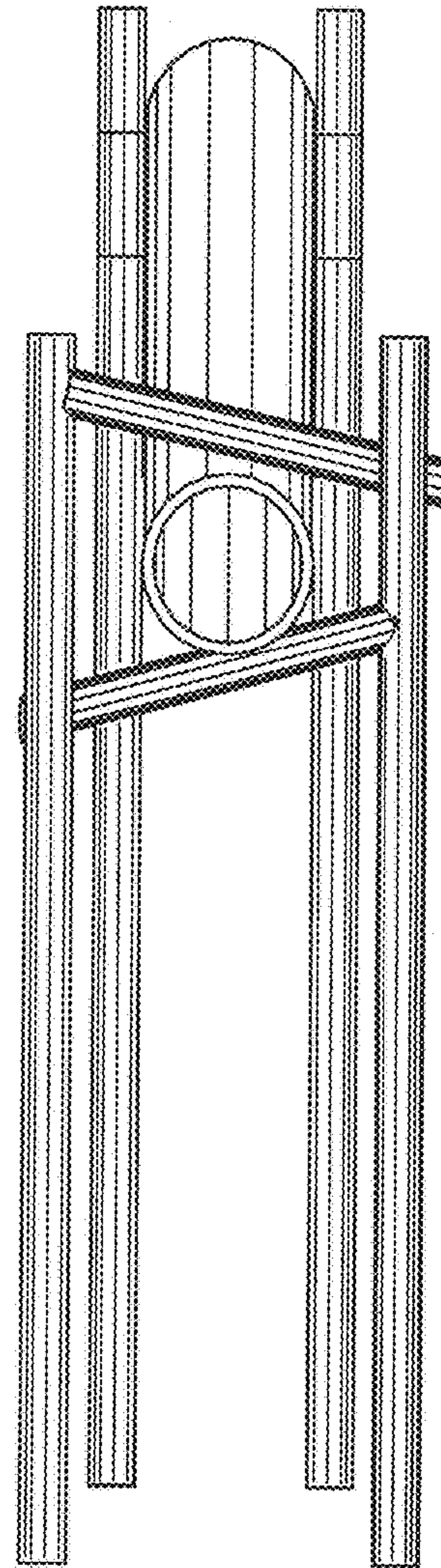


FIG. 7

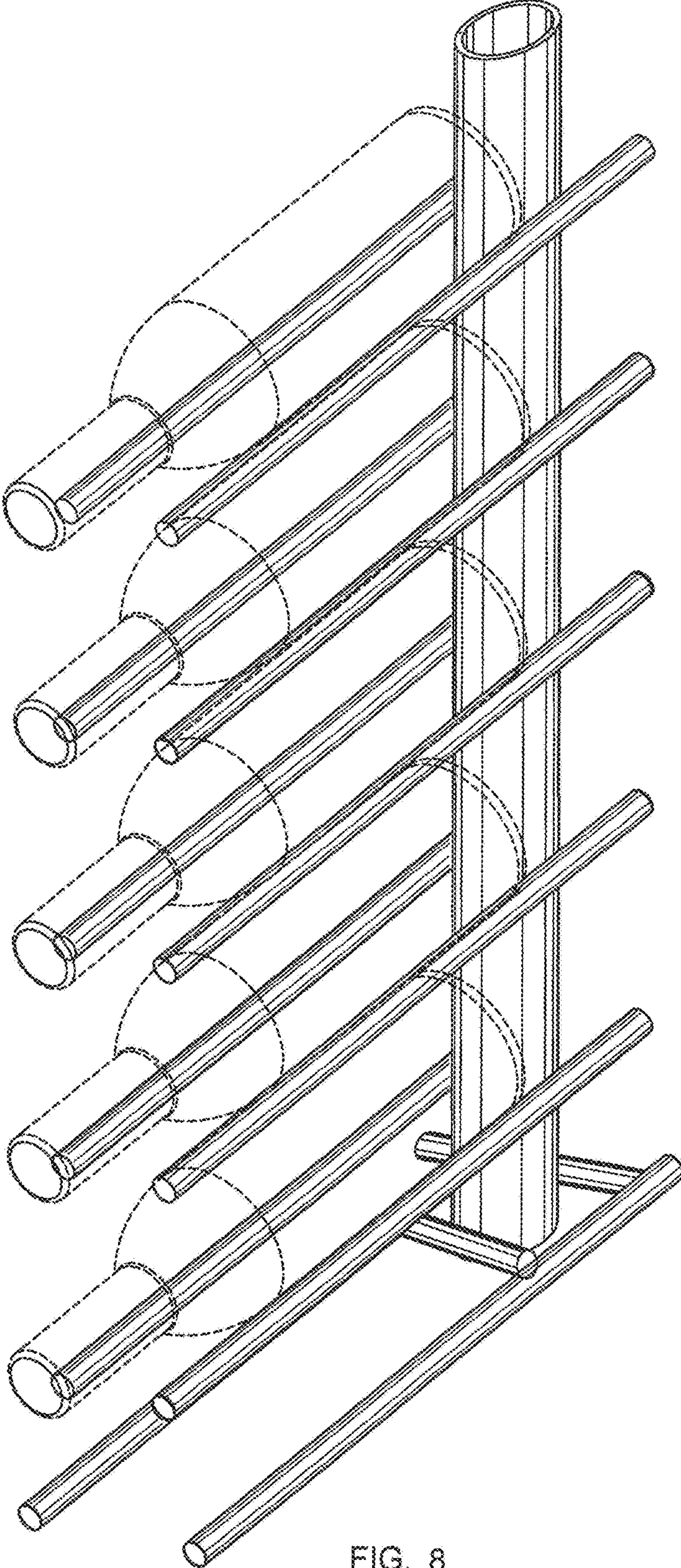


FIG. 8

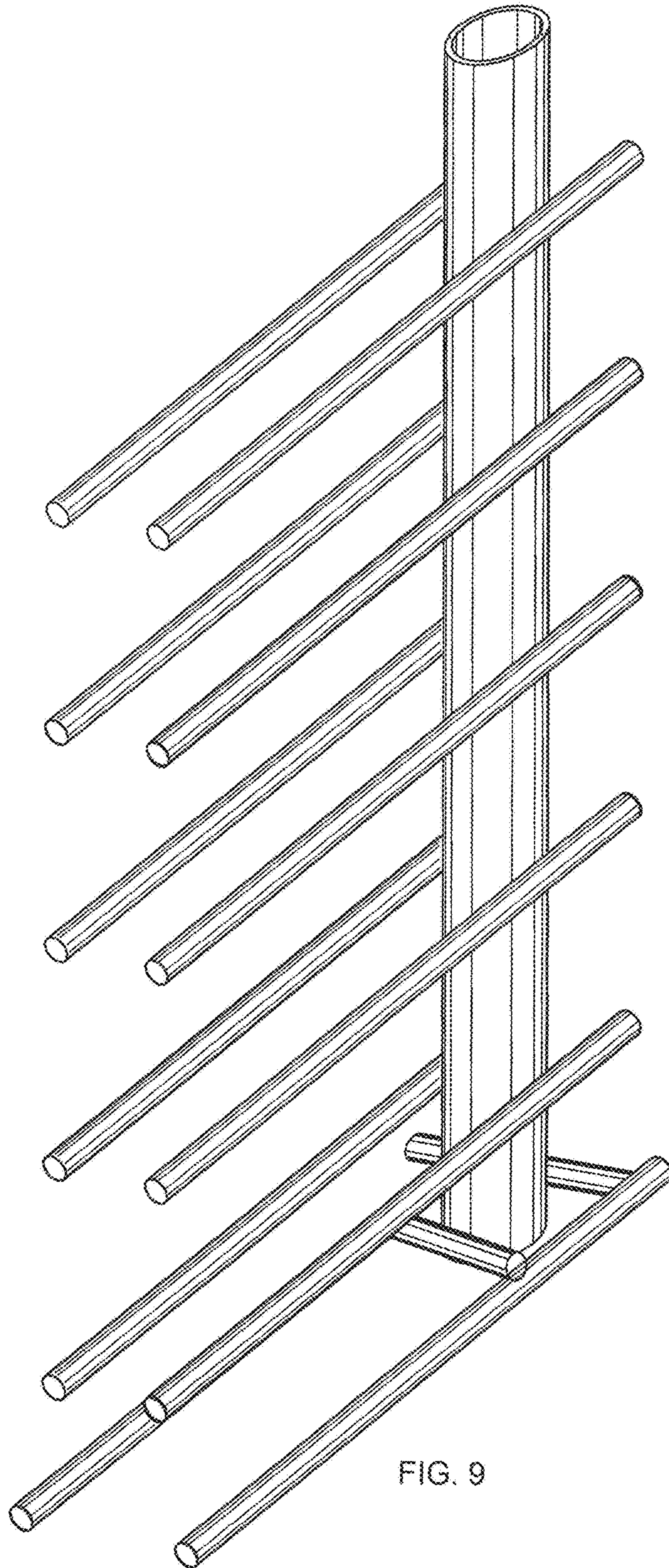


FIG. 9

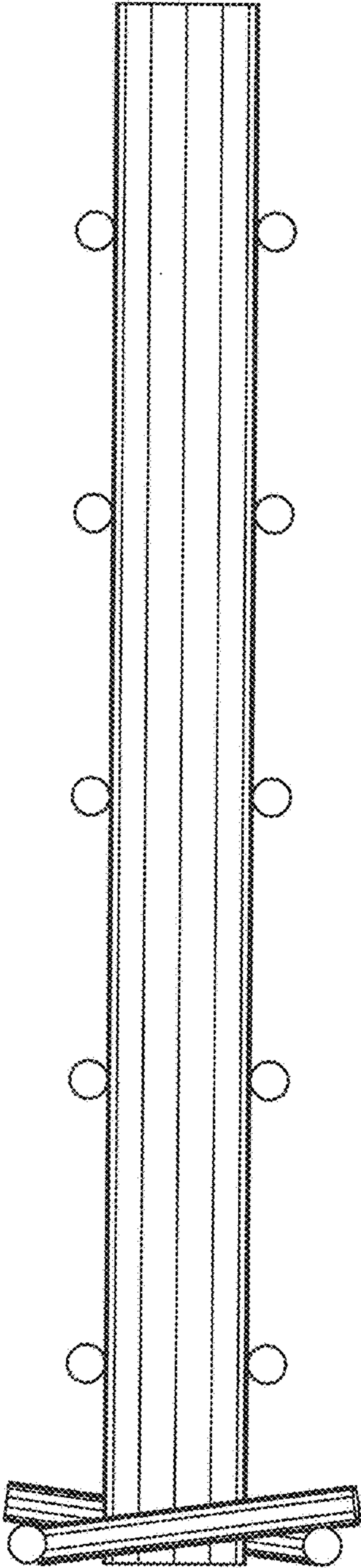


FIG. 10

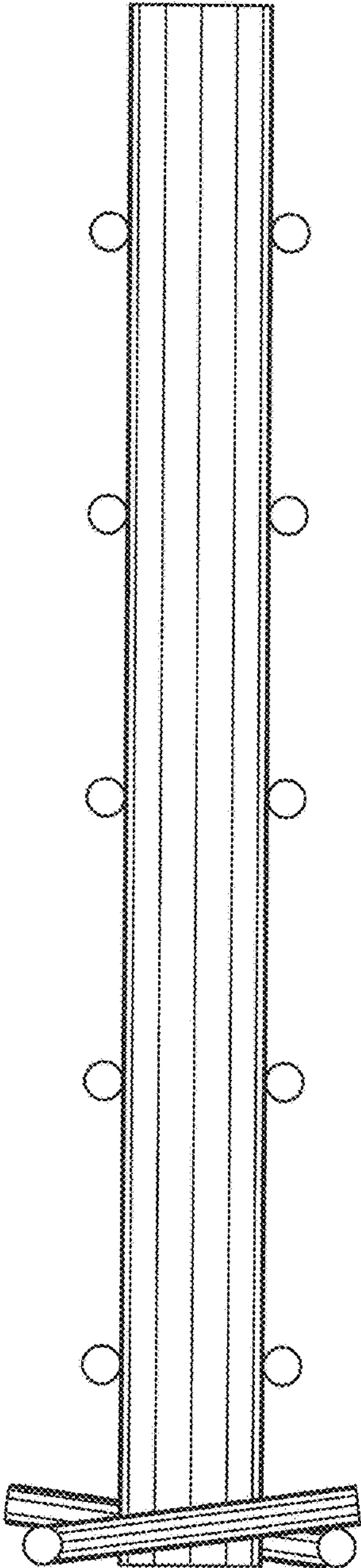


FIG. 11

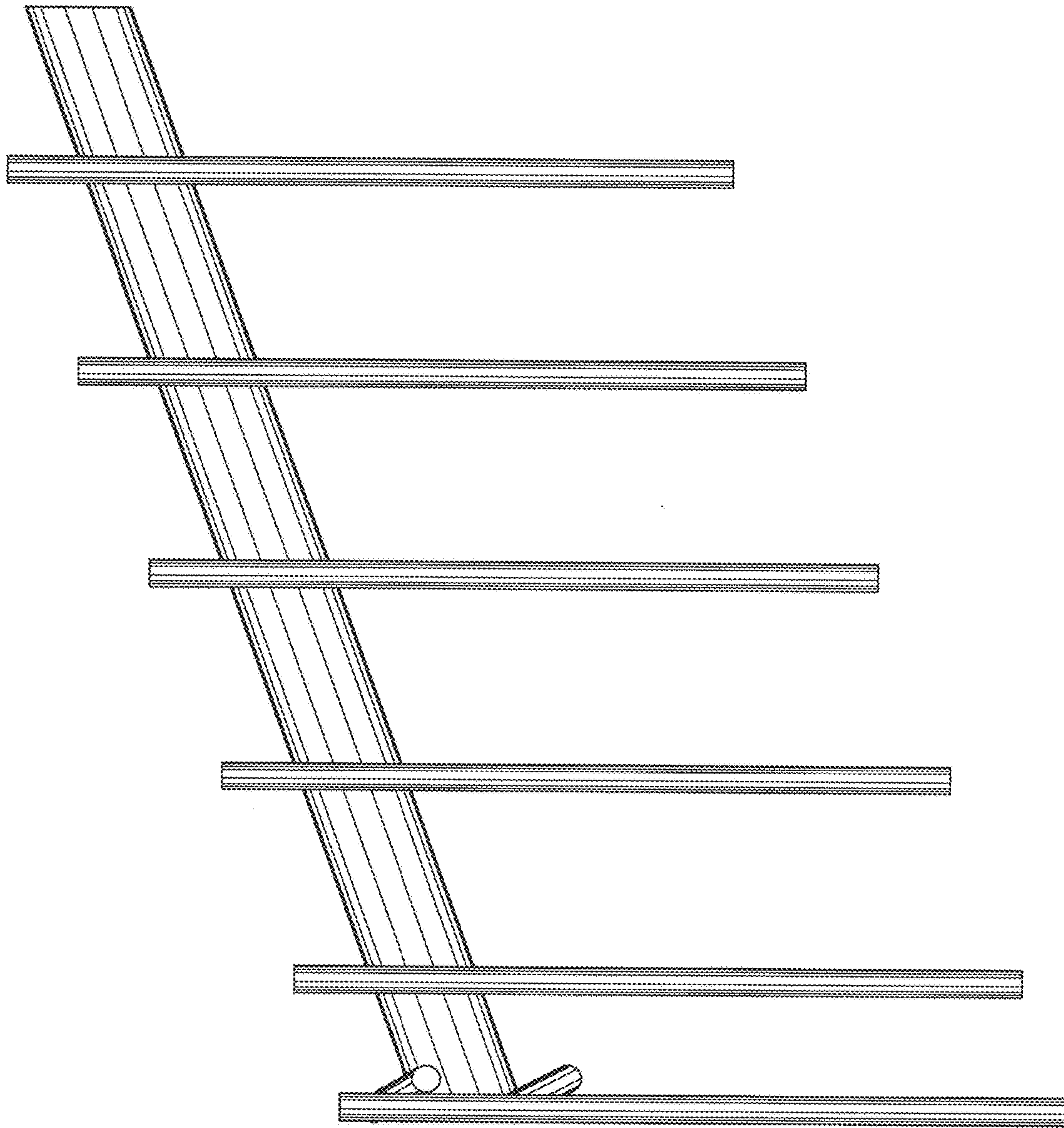


FIG. 12

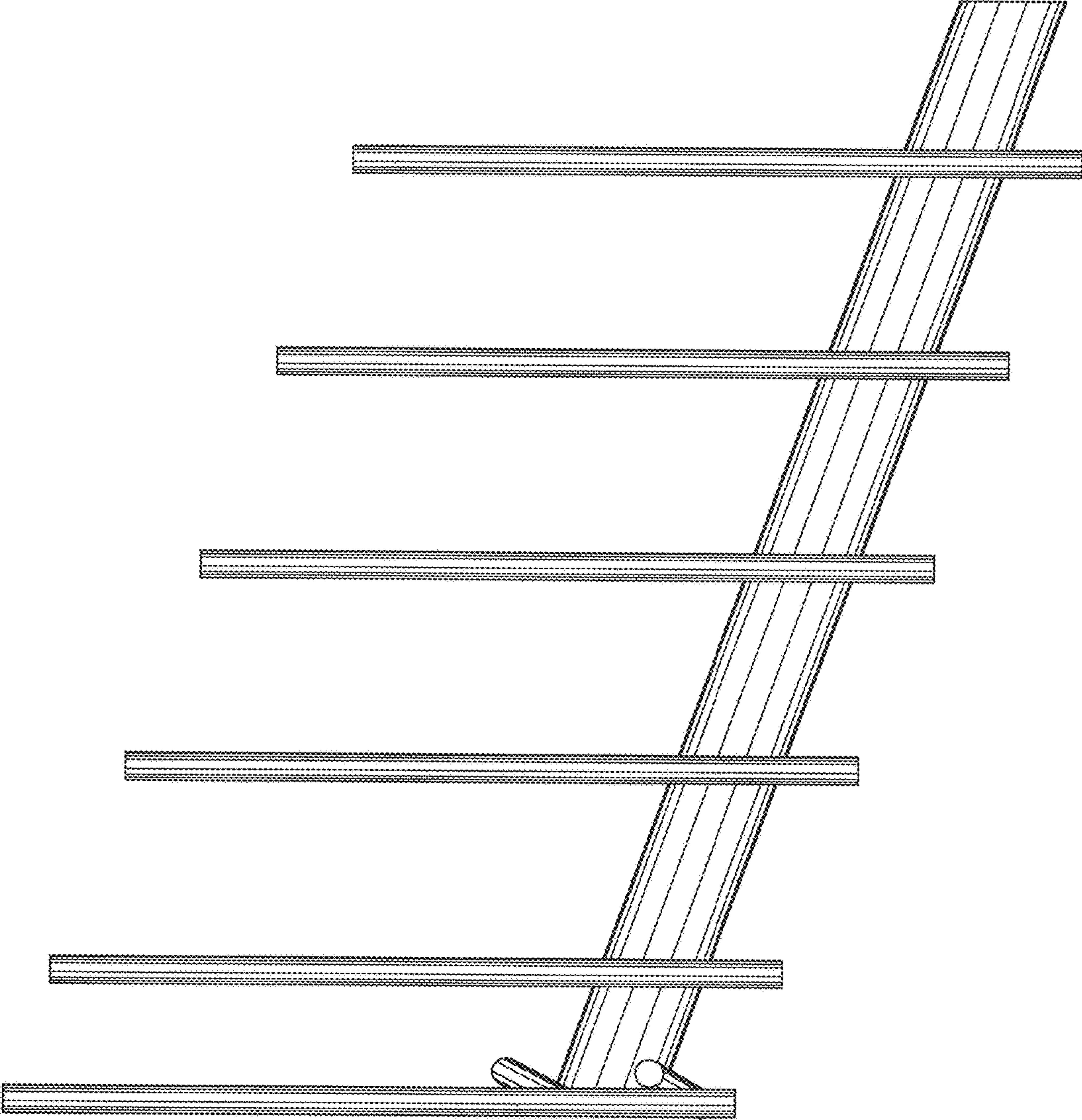


FIG. 13

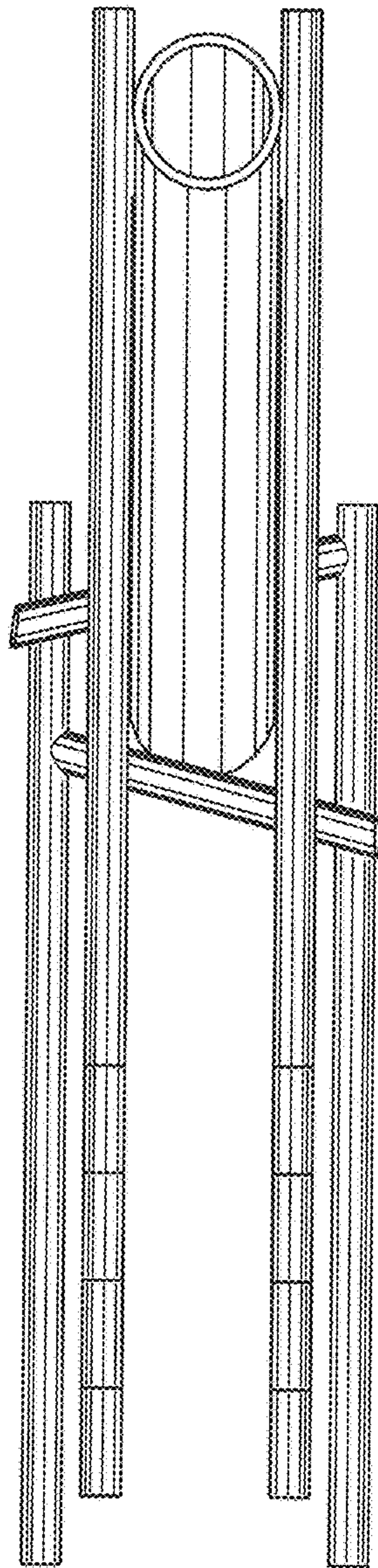


FIG. 14

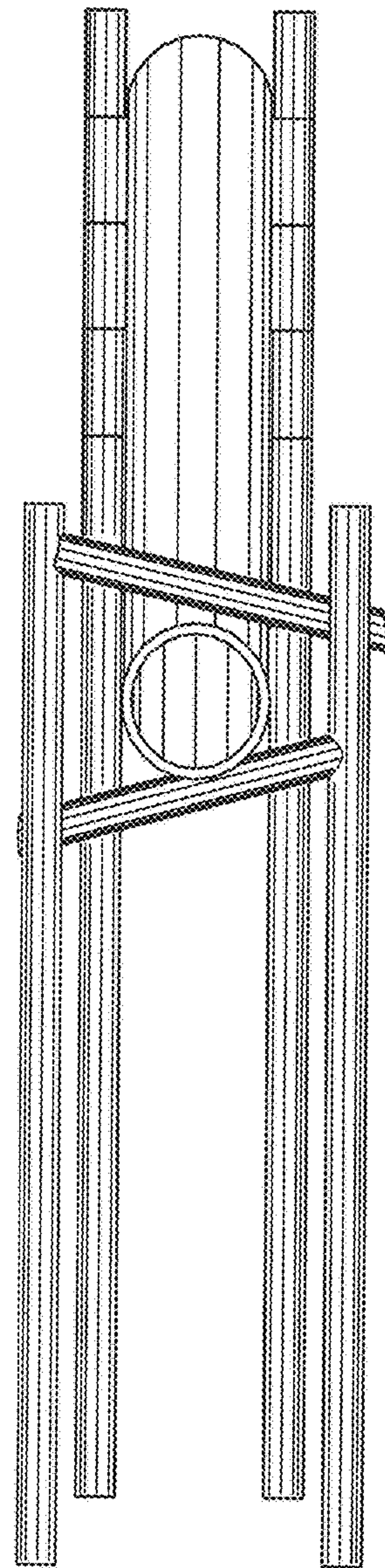


FIG. 15