



US00D789163S

(12) **United States Design Patent**  
**Nemoto**

(10) **Patent No.:** **US D789,163 S**  
(45) **Date of Patent:** **\*\* Jun. 13, 2017**

(54) **BOTTLE RACK**

FOREIGN PATENT DOCUMENTS

(71) Applicant: **Kodai Sangyo Co., Ltd.**,  
Motomiya-shi, Fukushima (JP)

JP 497394 3/1979  
JP 522286 1/1980

(72) Inventor: **Masaaki Nemoto**, Motomiya (JP)

OTHER PUBLICATIONS

(73) Assignee: **KODAI SANGYO CO., LTD.**,  
Motomiya-Shi (JP)

Kodai. Hinoki Wine Rack. Sep. 24, 2016 [earliest online date], [site visited Feb. 28, 2017]. Available from Internet, <URL:http://www.kodaimokuty.co.jp/en/products/hinoki-wine-rack>.\*

(\*\*) Term: **15 Years**

(21) Appl. No.: **29/562,424**

*Primary Examiner* — Robert M Spear

*Assistant Examiner* — Darcey E Hefflin

(22) Filed: **Apr. 26, 2016**

(74) *Attorney, Agent, or Firm* — Rankin, Hill & Clark LLP

(30) **Foreign Application Priority Data**

Feb. 22, 2016 (JP) ..... 2016-003767

(51) **LOC (10) Cl.** ..... **07-06**

(52) **U.S. Cl.**  
USPC ..... **D7/701**

(58) **Field of Classification Search**  
USPC ..... D6/546, 552, 672; D7/619.1, 620,  
D7/701-708, 708.1; D9/434, 443, 455;  
D32/58

CPC ..... A47G 23/0208; A47J 47/16; A47J 47/20;  
B32B 3/10

See application file for complete search history.

(57) **CLAIM**

The ornamental design for a bottle rack, as shown and described.

**DESCRIPTION**

FIG. 1 is a front view of a bottle rack;  
FIG. 2 is a rear view thereof;  
FIG. 3 is a right side view thereof;  
FIG. 4 is a top plan view thereof;  
FIG. 5 is a bottom view thereof;  
FIG. 6 is a cross-sectional view taken along line 6-6 in FIG. 1;  
FIG. 7 is a perspective view thereof in a contracted state;  
FIG. 8 is a perspective view thereof in a first state of extension;  
FIG. 9 is a perspective view thereof in a second state of extension; and,  
FIG. 10 is a perspective view thereof in a third state of extension.

The bottle rack is extendible and contractable, as shown in the perspective views of FIGS. 7-10, to change a bottle capacity from three rows (12 bottles) to six rows (24 bottles). It is noted that a left side view of the bottle rack is identical to the right side view of FIG. 3.

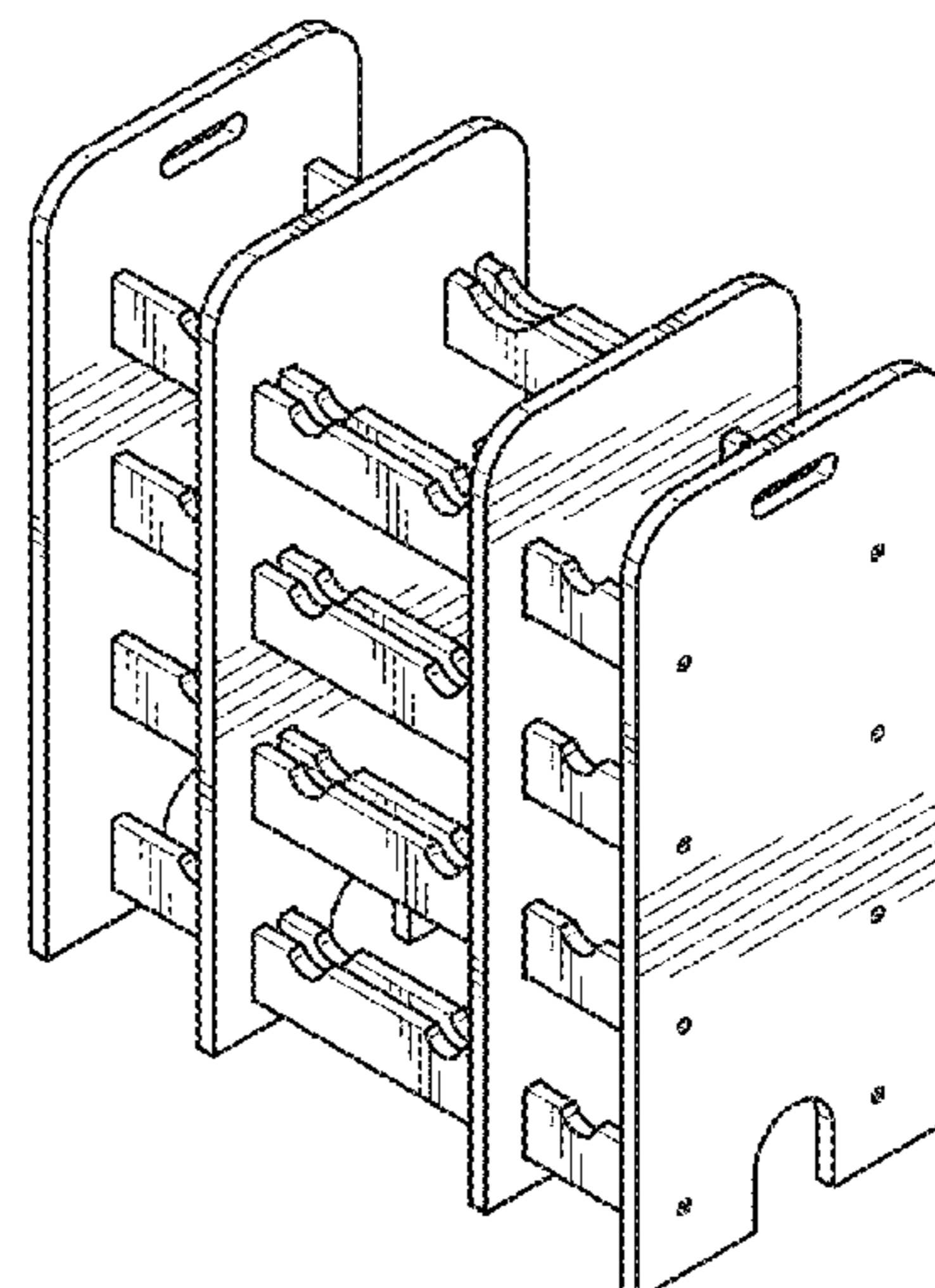
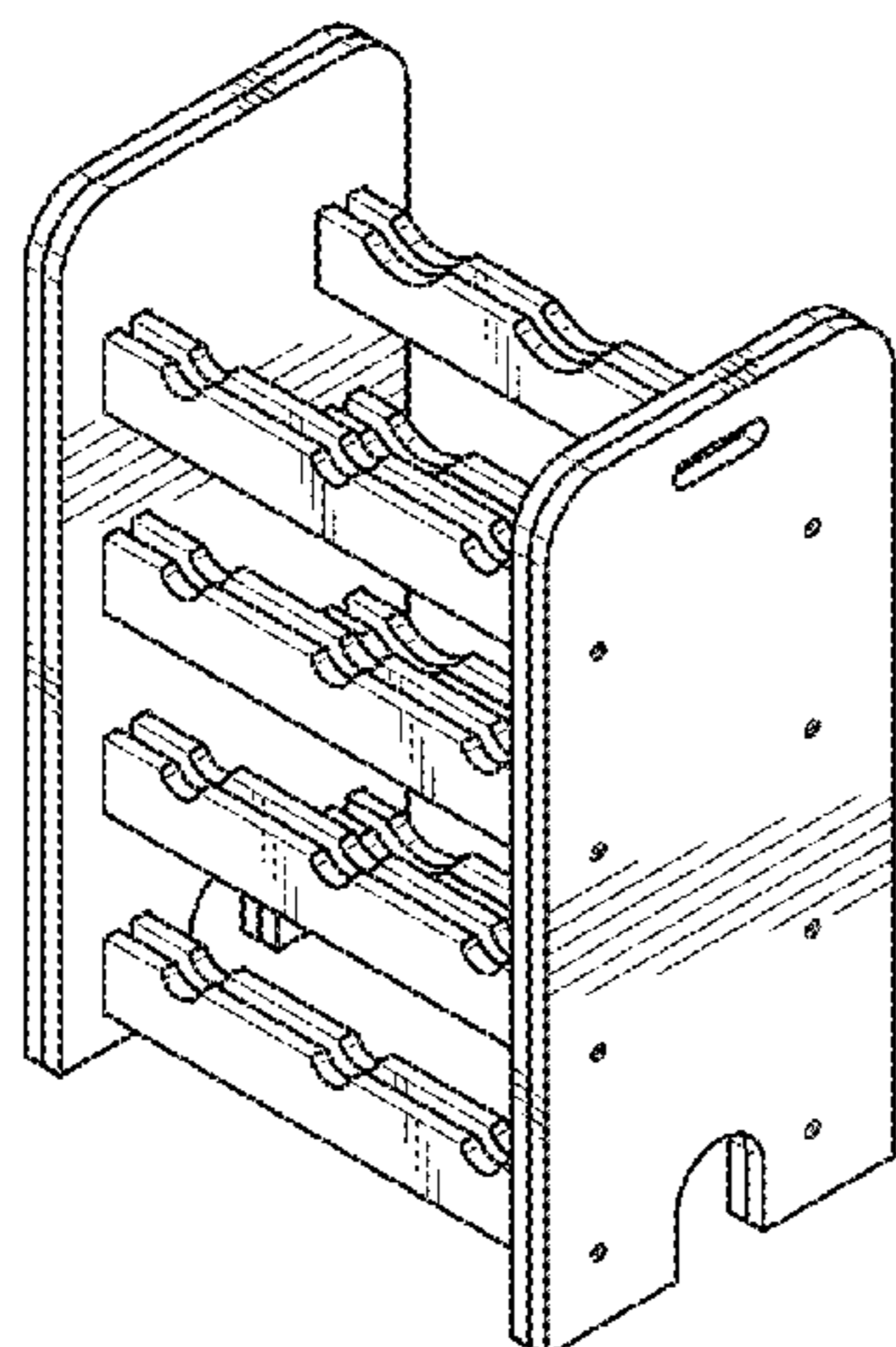
(56) **References Cited**

U.S. PATENT DOCUMENTS

- 2,051,408 A \* 8/1936 Karst ..... A47F 5/0876  
211/106
- D190,704 S \* 6/1961 Cobbs ..... 211/134
- 3,606,023 A \* 9/1971 Edmunds ..... A47B 73/006  
211/194
- D226,051 S \* 1/1973 Fujinami ..... D6/552
- D249,425 S \* 9/1978 Jones ..... D6/552
- D255,405 S \* 6/1980 De Villers ..... D6/552
- D289,716 S \* 5/1987 Boland, II ..... D7/701
- D312,016 S \* 11/1990 Montgomery ..... D6/552
- D329,563 S \* 9/1992 Rasmussen ..... D6/552

(Continued)

**1 Claim, 5 Drawing Sheets**



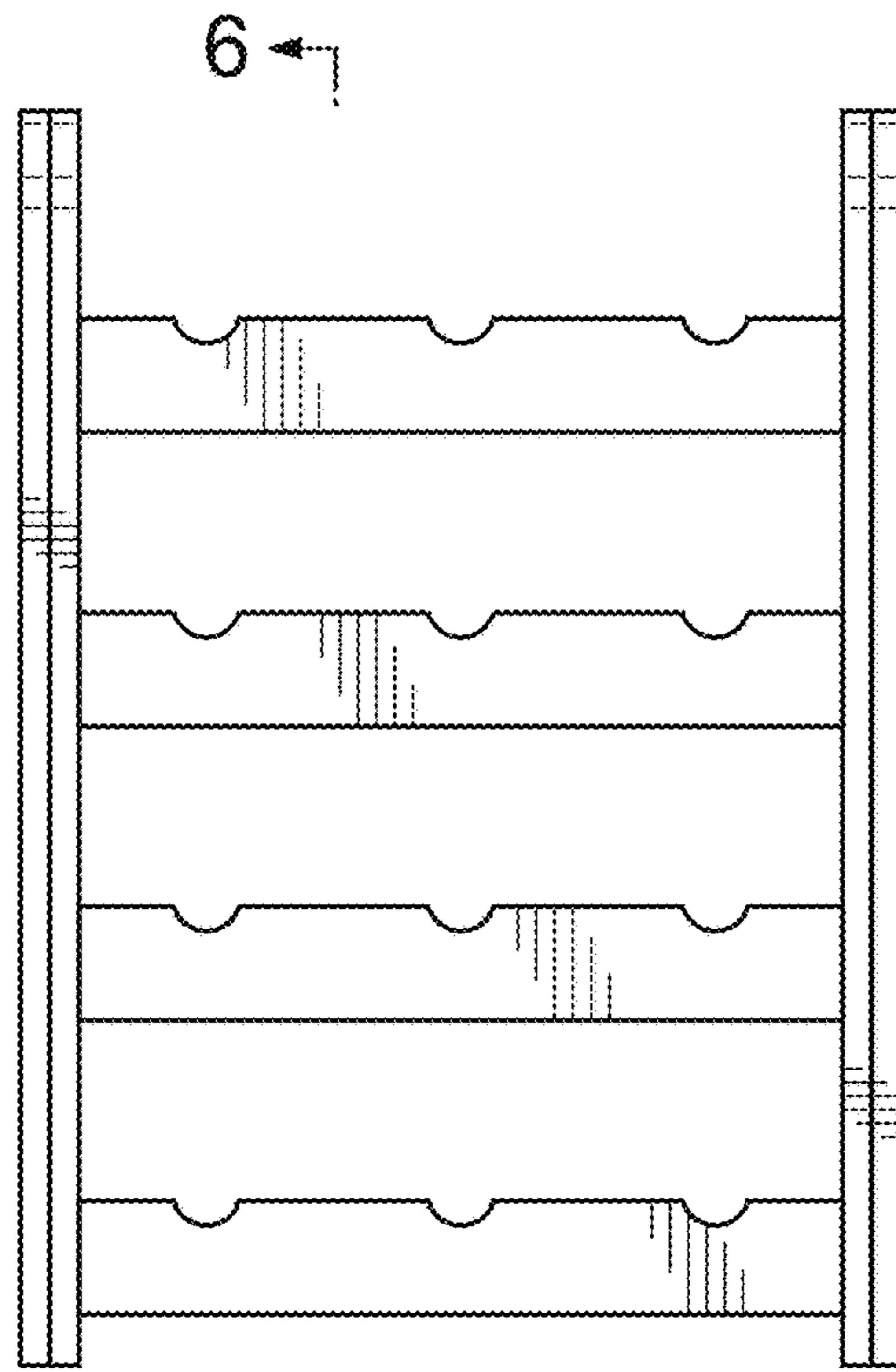
(56)

References Cited

U.S. PATENT DOCUMENTS

D338,795	S *	8/1993	Huang	.....	D6/552
D348,182	S *	6/1994	Young	.....	D6/674
D348,806	S *	7/1994	Young	.....	D6/682.4
D377,298	S	1/1997	Campbell		
D406,217	S *	3/1999	Campbell	.....	D34/24
D424,892	S *	5/2000	Ribet	.....	D7/701
D501,337	S	2/2005	Berger et al.		
D566,490	S *	4/2008	Frentzel	.....	D7/701
D573,827	S *	7/2008	Taggart	.....	D6/552
D587,051	S *	2/2009	Vining	.....	D6/552
D609,516	S *	2/2010	Vining	.....	D6/552
7,878,340	B1 *	2/2011	Olsen	.....	A47B 73/00 211/186
7,882,967	B2 *	2/2011	Hynes	.....	A47B 73/00 211/75
D643,658	S *	8/2011	Vining	.....	D6/552
D731,866	S *	6/2015	Paulick	.....	D7/702
9,149,115	B2 *	10/2015	Kasza	.....	A47B 73/00
D751,871	S *	3/2016	Polley	.....	D7/701
D770,803	S *	11/2016	Parsons	.....	D6/562
D776,956	S *	1/2017	Ma	.....	D6/552
9,565,933	B2 *	2/2017	Kasza	.....	A47B 73/00
2007/0080124	A1 *	4/2007	Frentzel	.....	A47B 45/00 211/74
2008/0251478	A1 *	10/2008	Jaskowski	.....	C12H 1/22 211/74
2011/0132853	A1 *	6/2011	Drobot	.....	A47B 57/562 211/42
2013/0334155	A1 *	12/2013	Kasza	.....	A47B 73/00 211/75

\* cited by examiner



6 ←  
FIG. 1

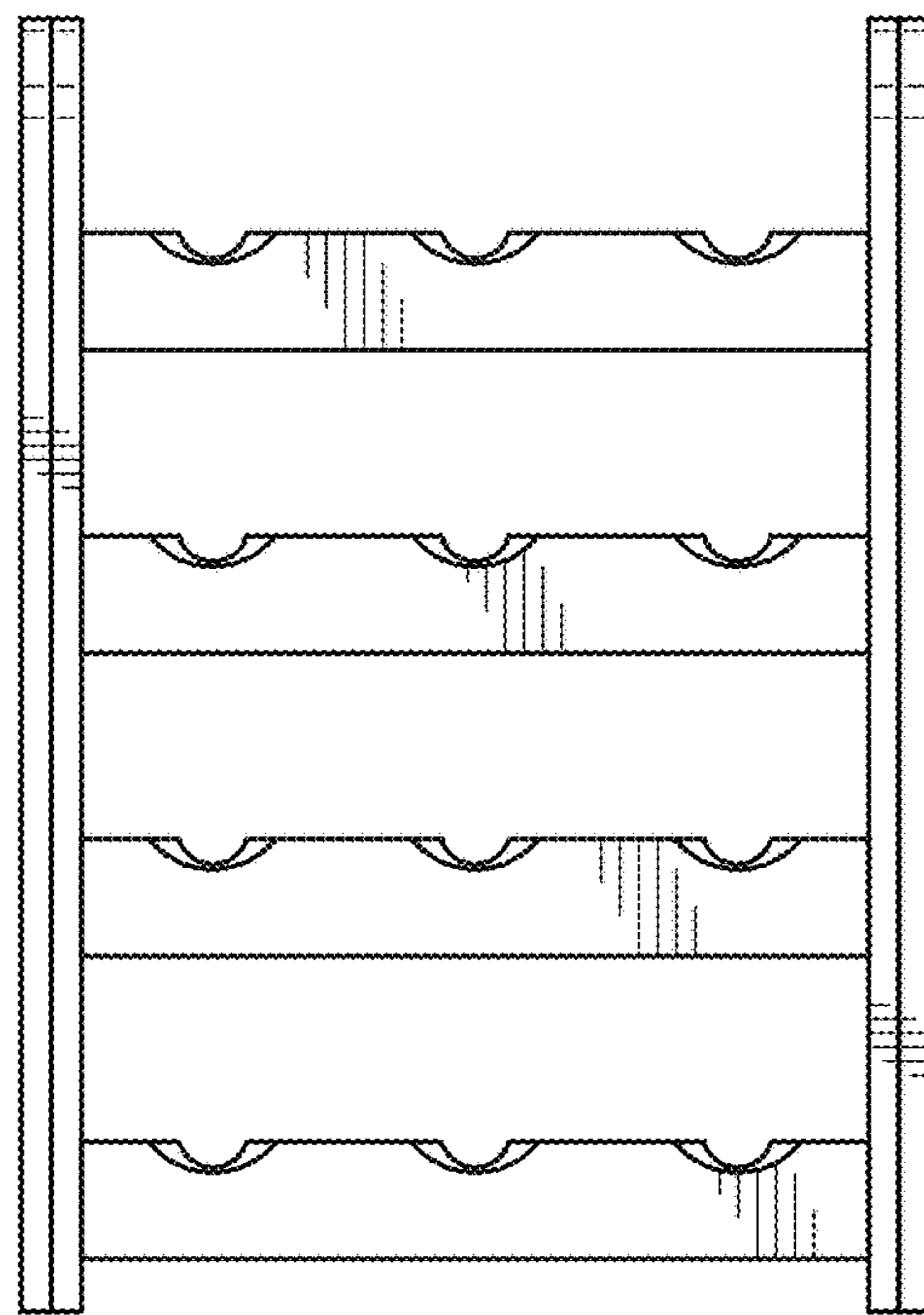


FIG. 2

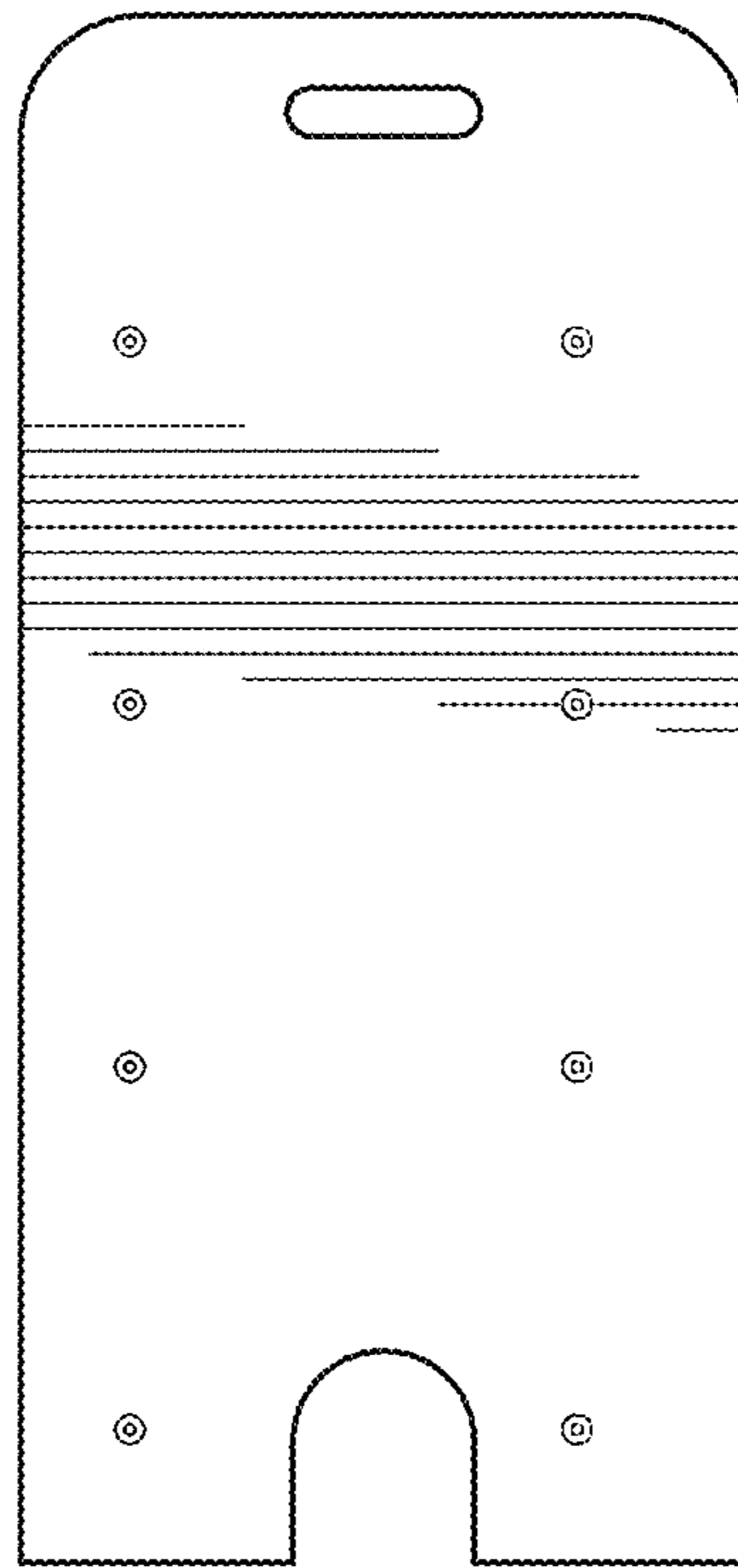


FIG. 3

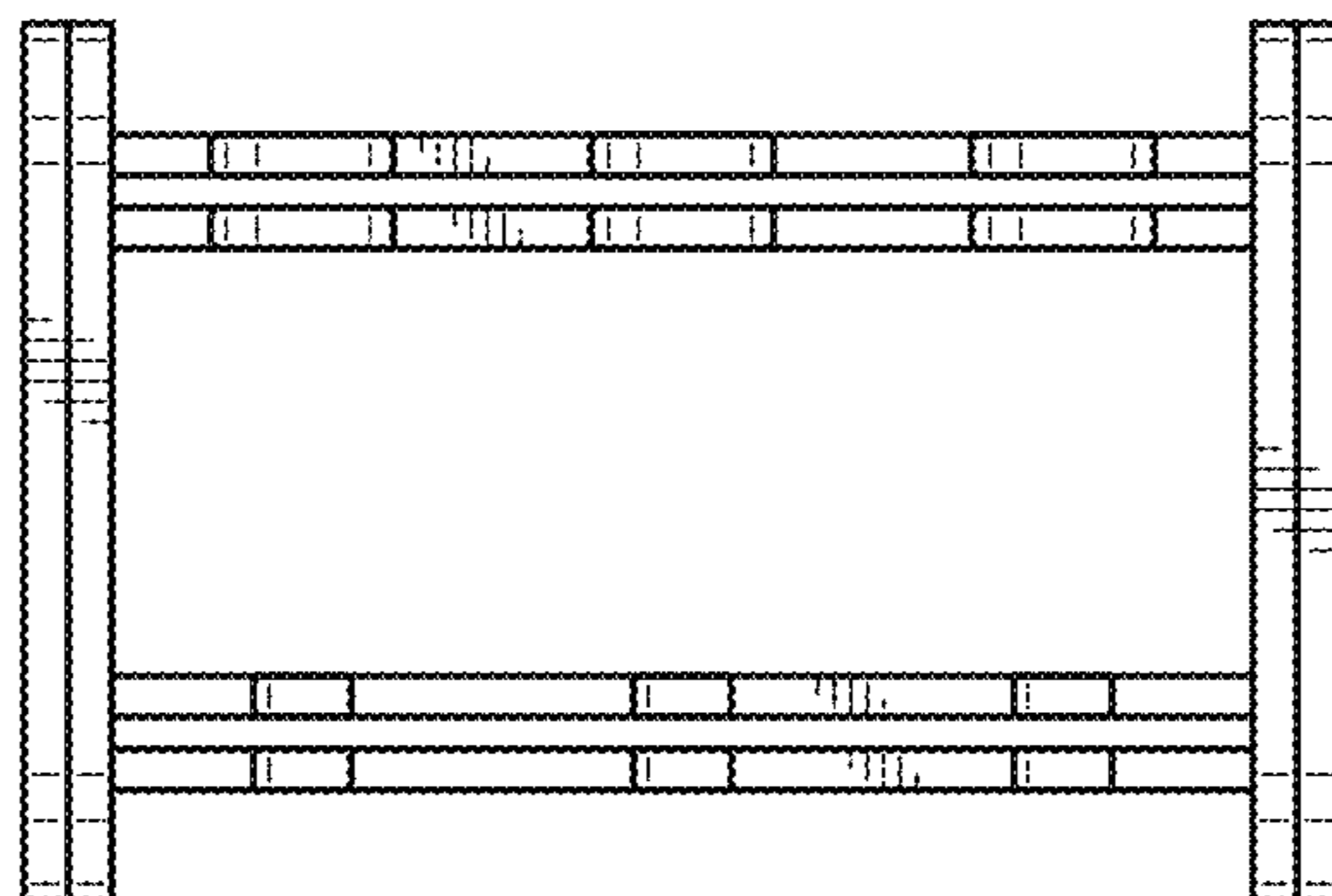


FIG. 4

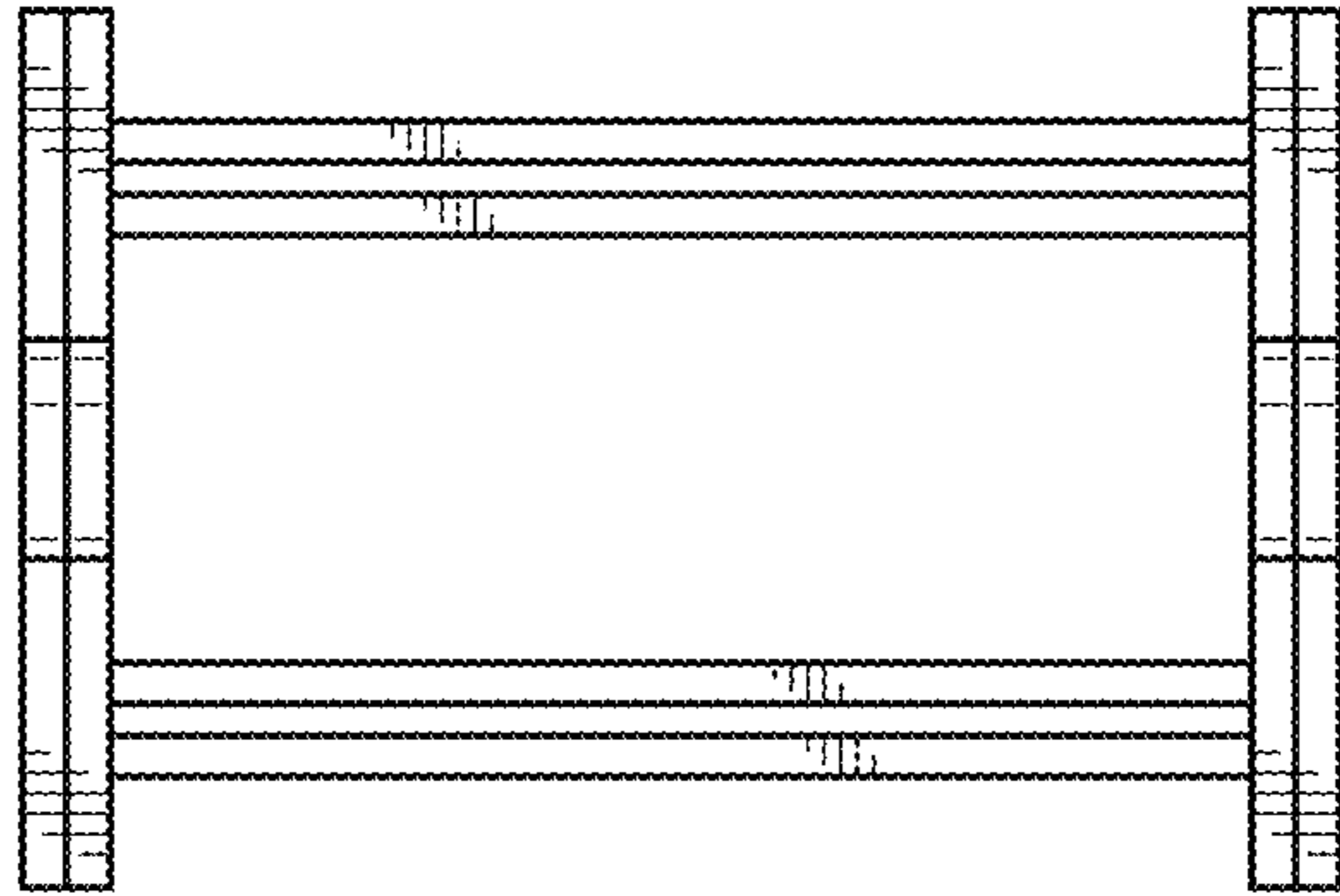


FIG. 5

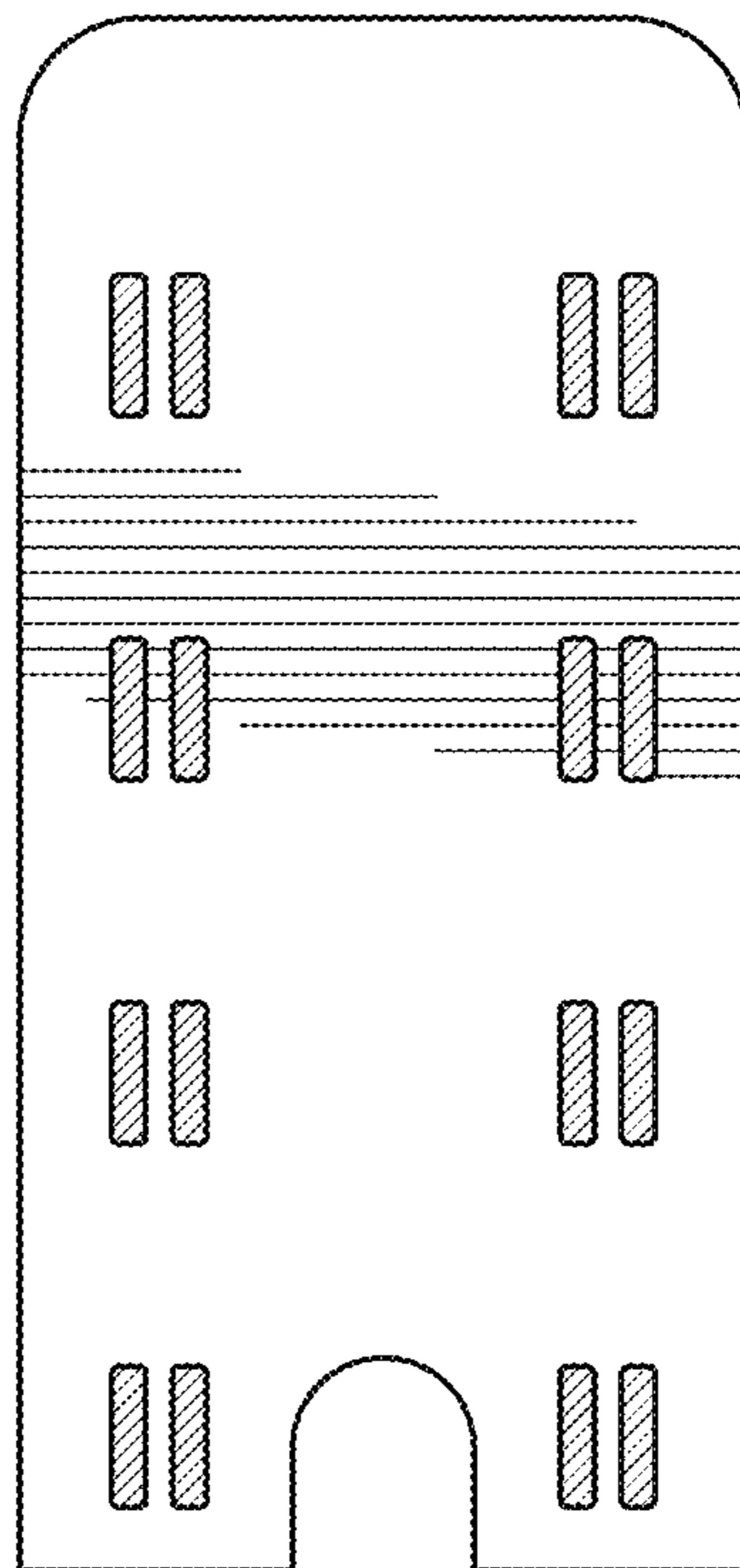


FIG. 6

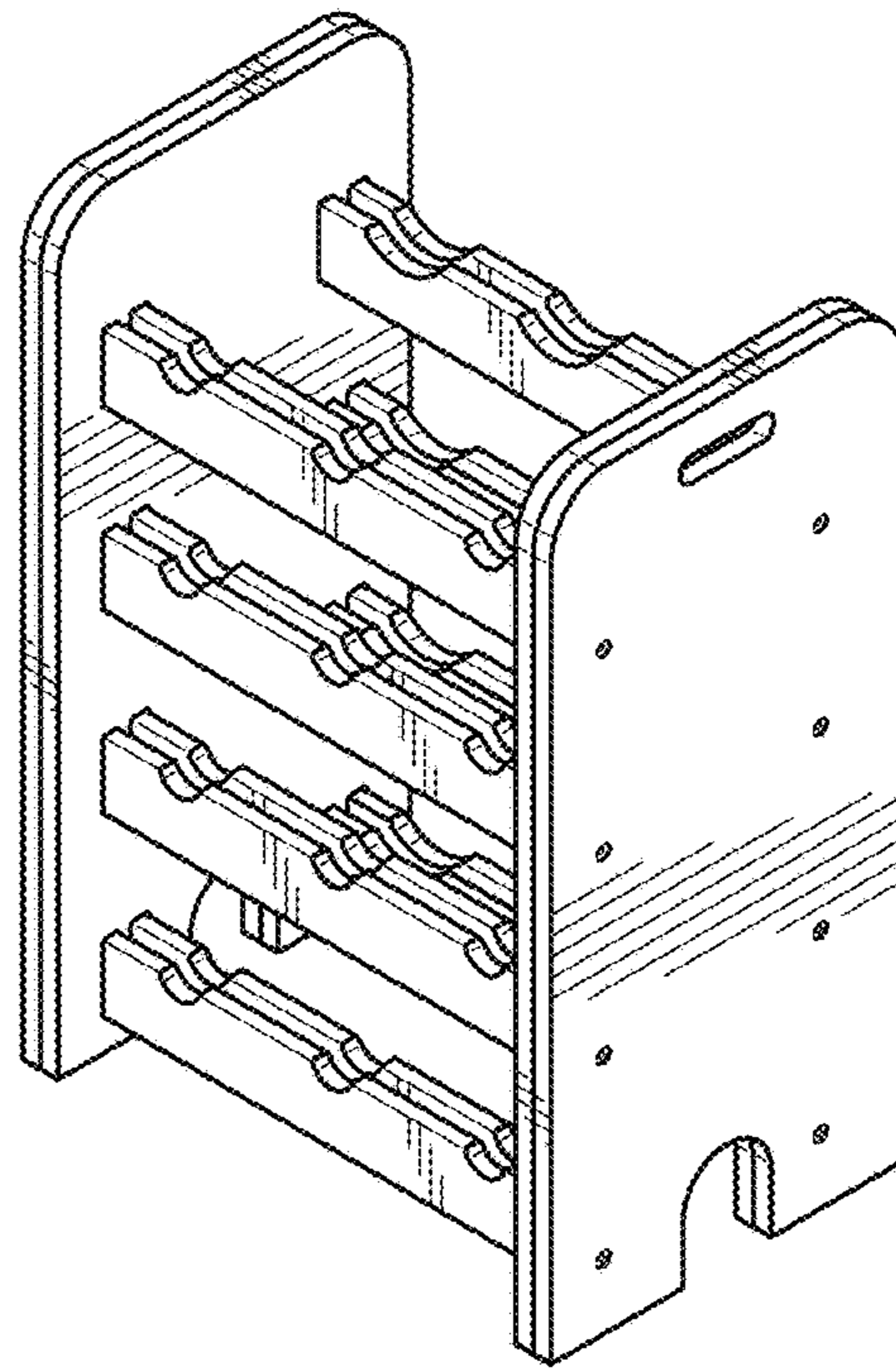


FIG. 7

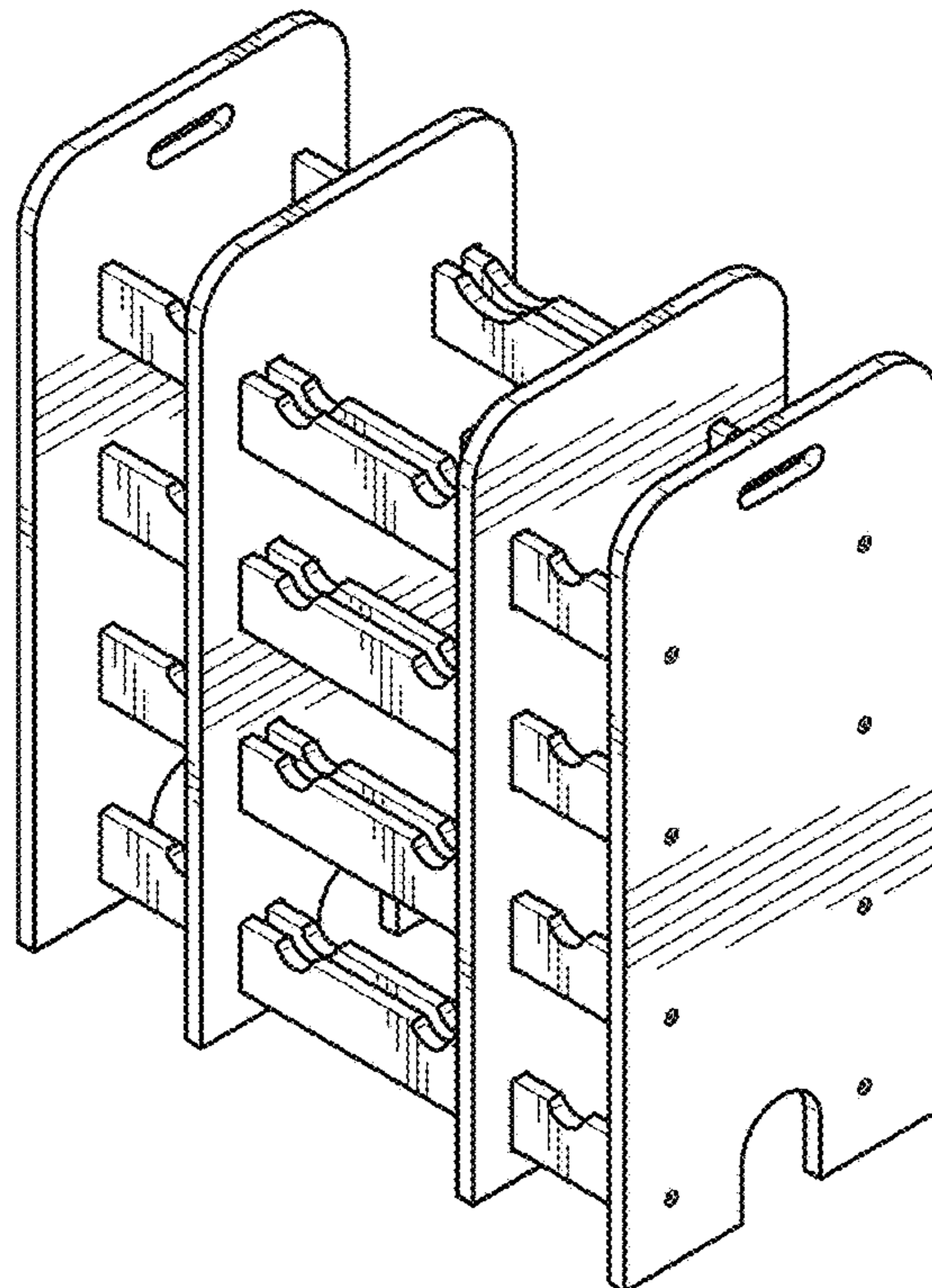


FIG. 8

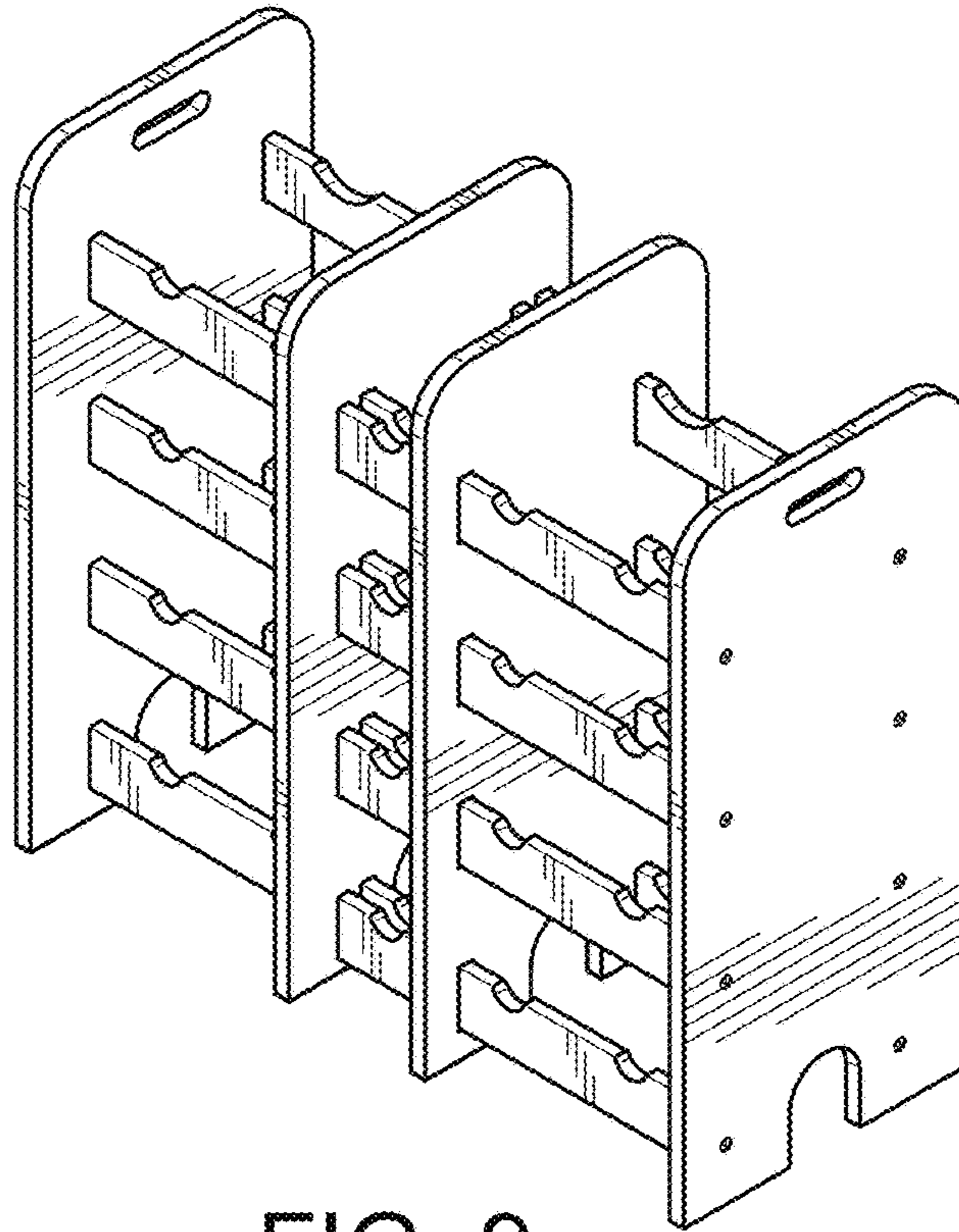


FIG. 9

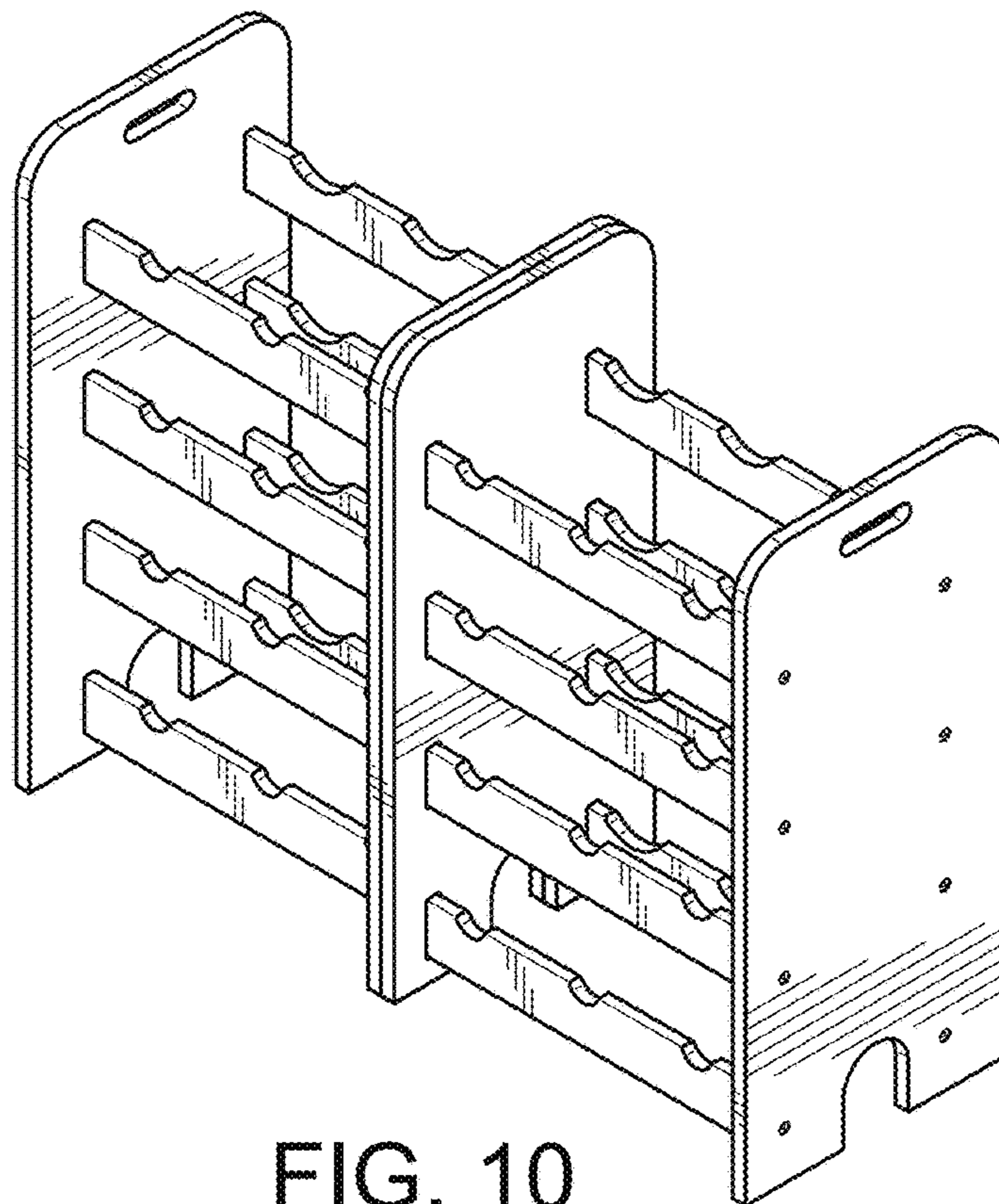


FIG. 10