



US00D789161S

(12) **United States Design Patent** (10) **Patent No.:** **US D789,161 S**  
**Gettig** (45) **Date of Patent:** **\*\* Jun. 13, 2017**

(54) **SPOON**

(71) Applicant: **Jason Gettig**, Atlanta, GA (US)

(72) Inventor: **Jason Gettig**, Atlanta, GA (US)

(\*\*) Term: **15 Years**

(21) Appl. No.: **29/543,150**

(22) Filed: **Oct. 21, 2015**

(51) **LOC (10) Cl.** ..... **07-03**

(52) **U.S. Cl.**

USPC ..... **D7/653**; D7/401.2; D7/642

(58) **Field of Classification Search**

USPC ..... D7/368, 401.2, 642-645, 653-664, 669,  
D7/675-677, 683, 688-689, 691;  
D8/107, 300-301; D22/117-118

CPC ... A01D 9/02; A01D 9/04; A01D 9/06; A47G  
21/00; A47G 21/004; A47G 21/005;  
A47G 21/02; A47G 21/023; A47G 21/04;  
A47G 21/06; A47G 21/08; A47J 43/28;  
A47J 43/281; A47J 43/282; A61F 13/10;  
A61J 7/0023; B25G 1/00; B25G 1/01;  
B25G 1/02; B25G 3/00; B65D 75/56;  
B65D 75/563; B65D 75/566; B67B 7/00;  
B67B 7/724; B67B 7/73

See application file for complete search history.

(56) **References Cited**

U.S. PATENT DOCUMENTS

D140,263 S *	2/1945	Farber .....	D7/663
D215,026 S *	8/1969	Richmond .....	D7/653
D307,095 S *	4/1990	Juergens .....	D7/653
D366,991 S *	2/1996	Bulgari .....	D7/645
D390,424 S *	2/1998	Shane-Schuldt .....	D7/653
D413,772 S *	9/1999	Durbin .....	D7/653
D581,745 S *	12/2008	Richmond .....	D7/653
D662,768 S *	7/2012	Shane-Schuldt .....	D7/401.2
D747,632 S *	1/2016	Shim .....	D7/653
D770,241 S *	11/2016	Shim .....	D7/653

\* cited by examiner

*Primary Examiner* — Ricky Pham

(74) *Attorney, Agent, or Firm* — Richards Patent Law P.C

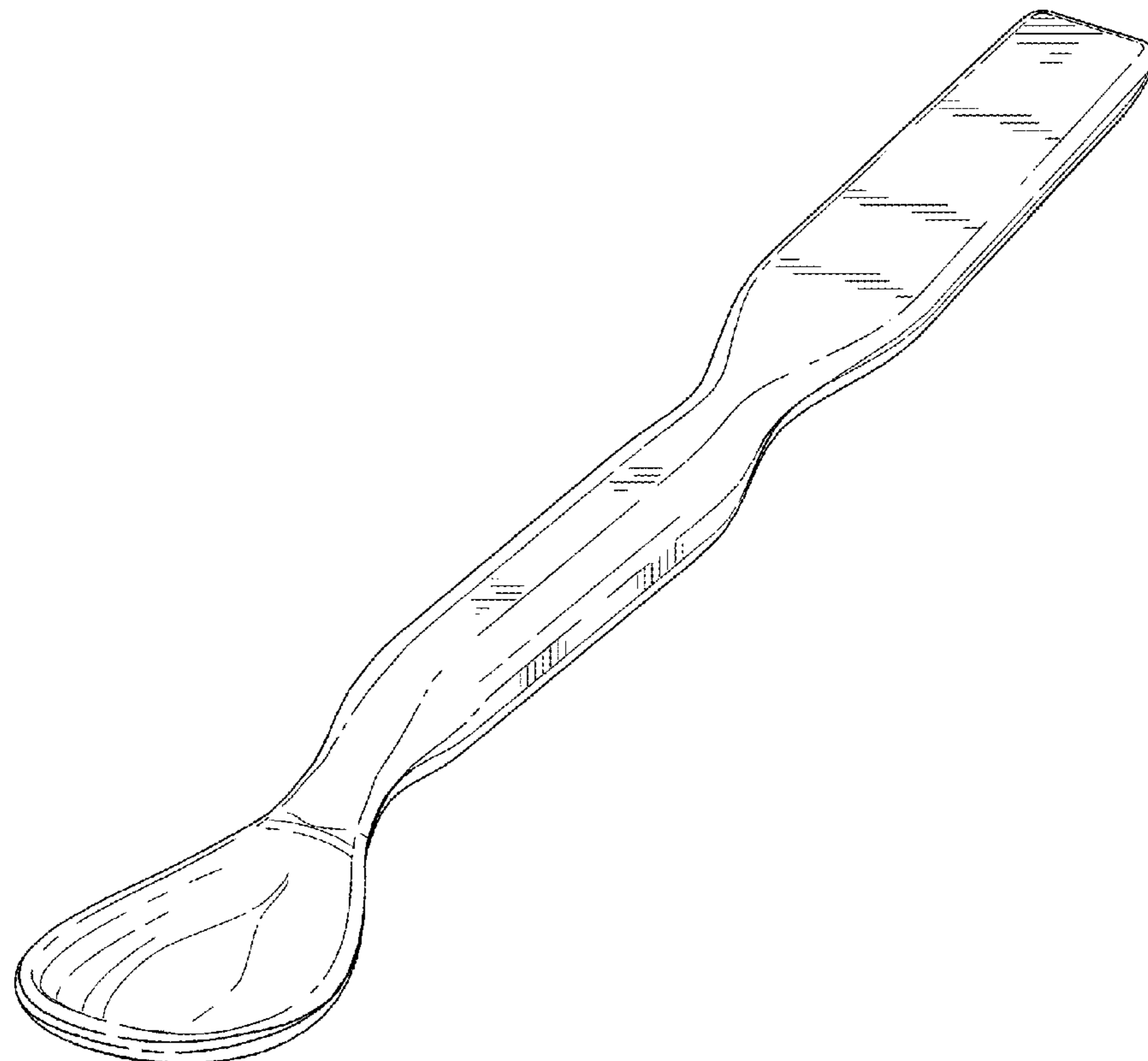
(57) **CLAIM**

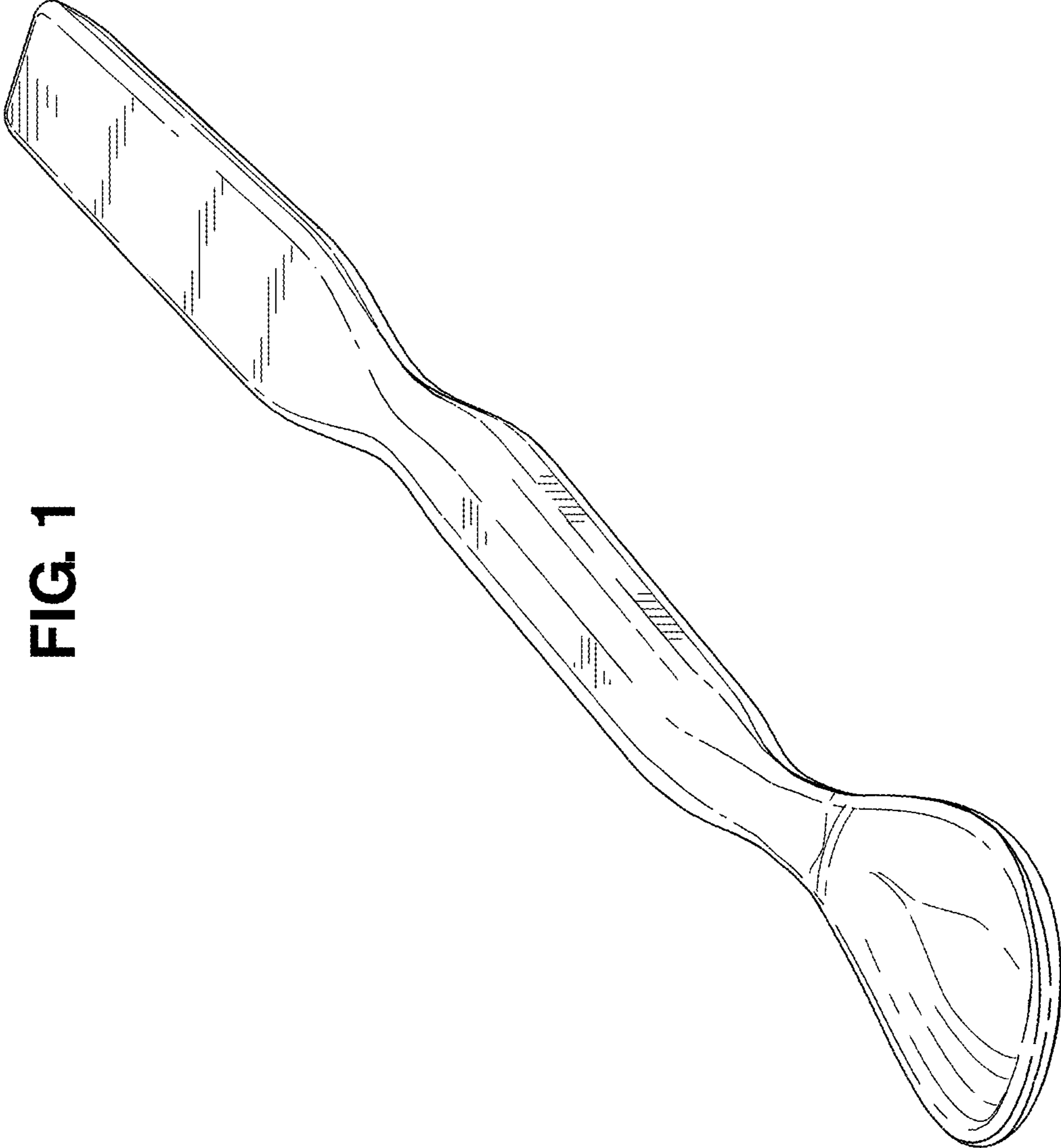
The ornamental design for a spoon, as shown and described.

**DESCRIPTION**

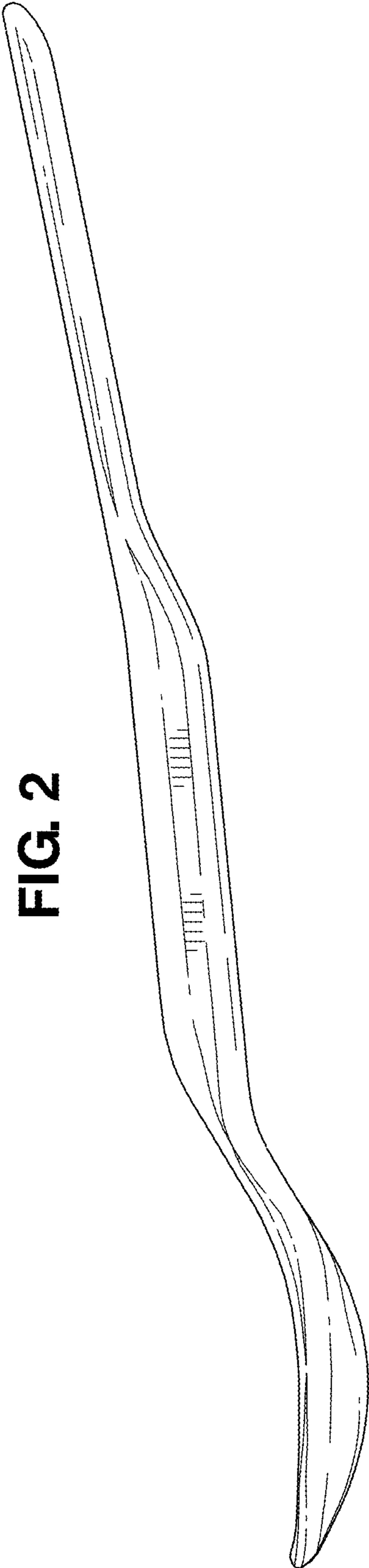
FIG. 1 is an isometric view of a spoon;  
FIG. 2 is a right side elevation view, which is a mirror image  
of the left side elevation view, thereof;  
FIG. 3 is a top plan view thereof;  
FIG. 4 is a bottom plan view thereof;  
FIG. 5 is a front elevation view thereof; and,  
FIG. 6 is a rear elevation view thereof.

**1 Claim, 3 Drawing Sheets**

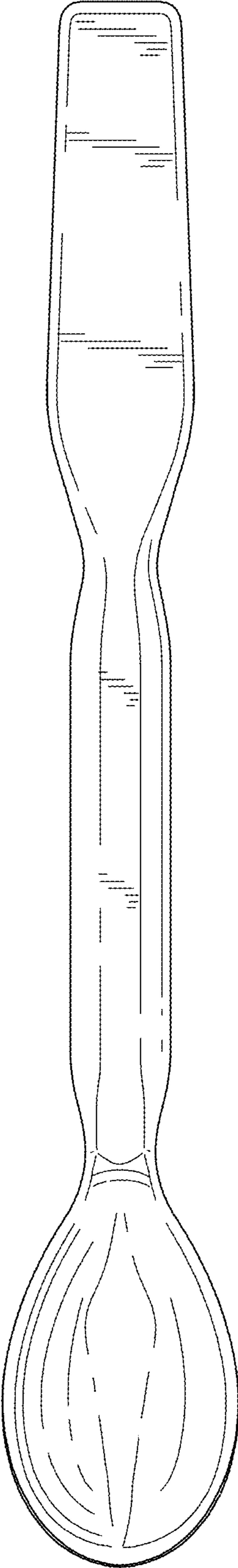




**FIG. 1**

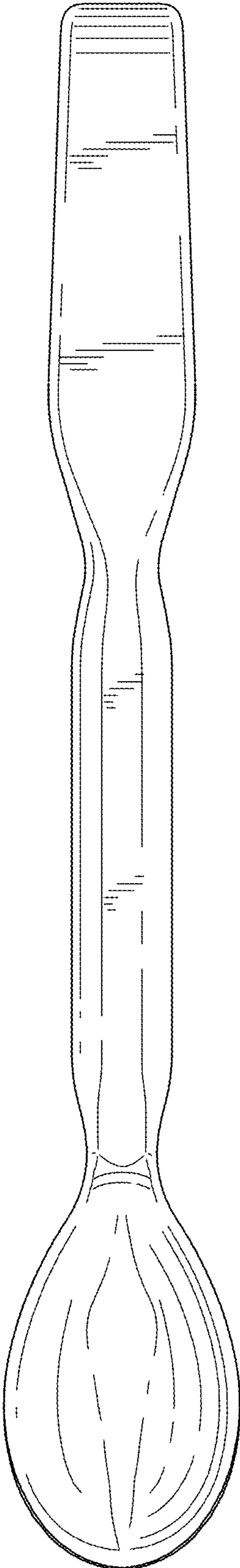


**FIG. 2**

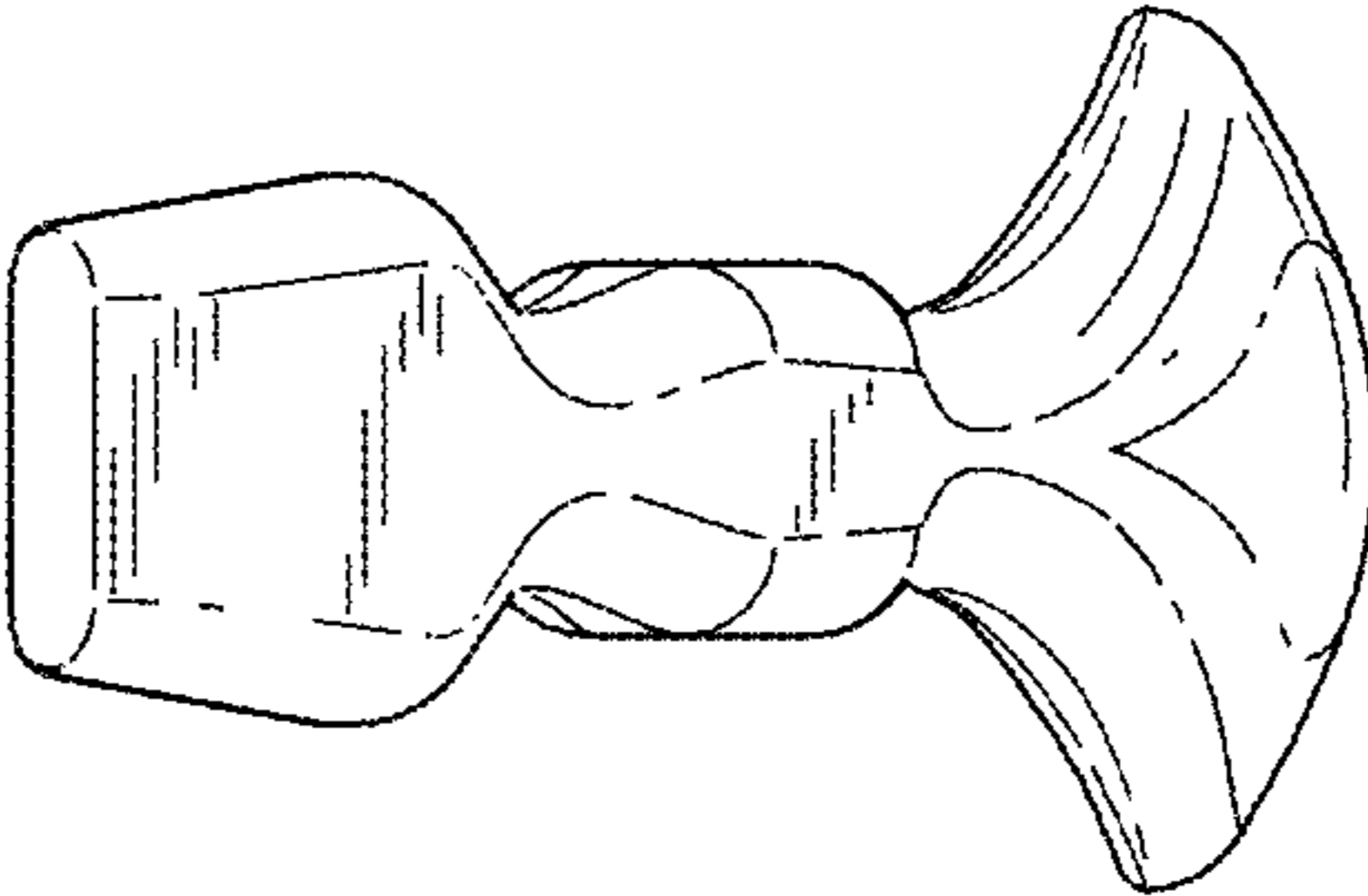


**FIG. 3**

**FIG. 4**



**FIG. 6**



**FIG. 5**

