



US00D789159S

(12) **United States Design Patent**
Herling et al.

(10) **Patent No.:** **US D789,159 S**

(45) **Date of Patent:** **** Jun. 13, 2017**

(54) **CONTAINER**

(71) Applicant: **PRECIDIO DESIGN INC.**, Oakville
(CA)

(72) Inventors: **Nicholas Herling**, Toronto (CA); **Marc
Heinke**, Oakville (CA)

(73) Assignee: **PRECIDIO DESIGN INC.**, Oakville
(CA)

(**) Term: **15 Years**

(21) Appl. No.: **29/547,271**

(22) Filed: **Dec. 2, 2015**

(51) **LOC (10) Cl.** **07-06**

(52) **U.S. Cl.**
USPC **D7/629**

(58) **Field of Classification Search**
USPC D7/602, 629, 312, 315, 612-615;
D9/424, 430-432
CPC B65D 1/40; B65D 43/169; B65D 1/00;
B65D 2543/00796; B65D 43/00296;
B65F 1/10; B60K 15/0406; G01F 11/26;
G01F 11/261
See application file for complete search history.

(56) **References Cited**

U.S. PATENT DOCUMENTS

5,518,152 A * 5/1996 Burcham G01F 11/261
222/158
D610,412 S * 2/2010 Matsumoto D7/629
D619,425 S * 7/2010 Watkins D7/629

D632,932 S * 2/2011 Smyers D7/629
D674,248 S * 1/2013 Lindsay D7/629
D674,249 S * 1/2013 Duvigneau D7/629
D736,570 S * 8/2015 Sykes D10/46.2
D736,571 S * 8/2015 Laskowski D7/629

* cited by examiner

Primary Examiner — Terry Wallace

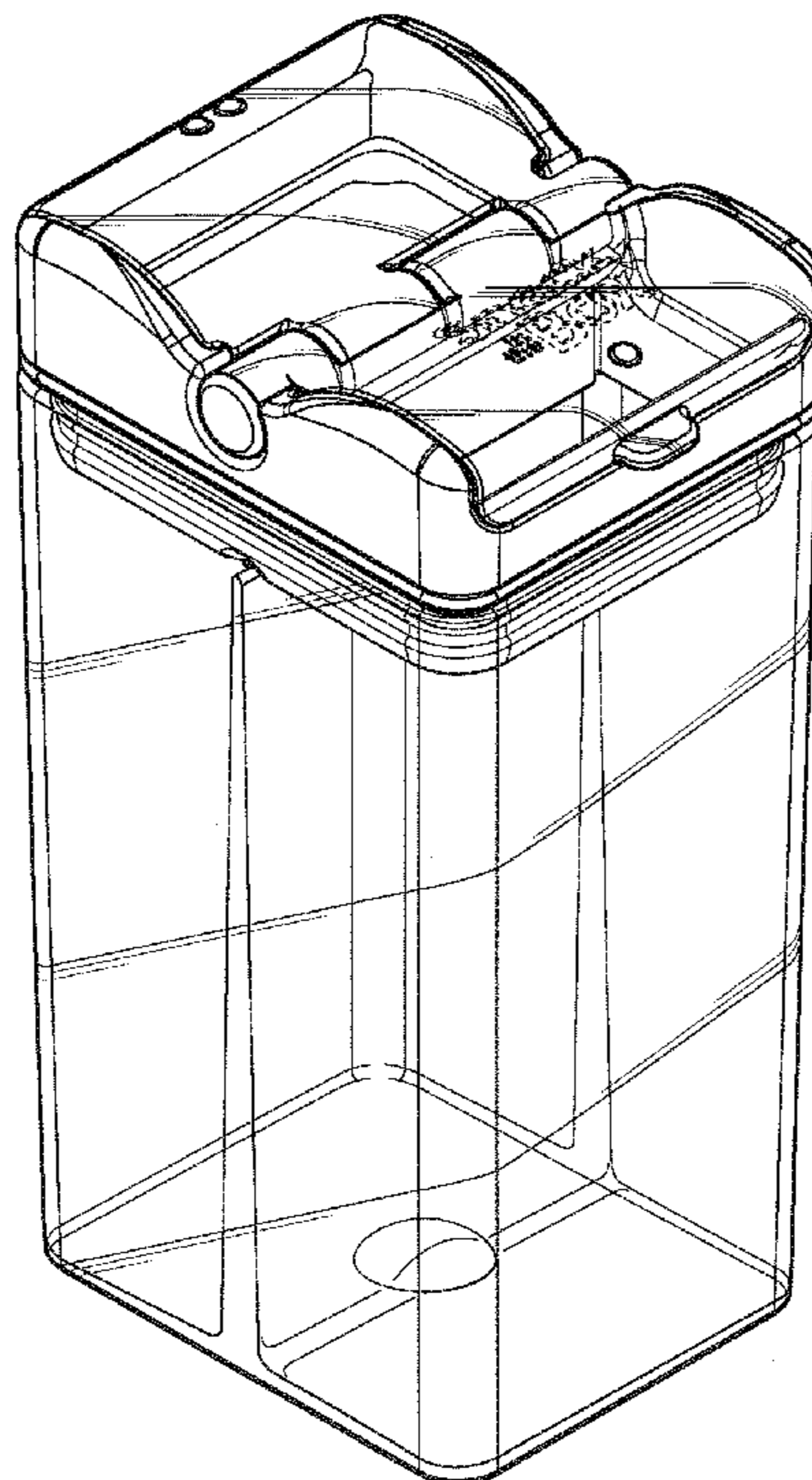
(57) **CLAIM**

The ornamental design for a container, as shown and described.

DESCRIPTION

FIG. 1 is a perspective view of a container showing our new design.
FIG. 2 is a right side view thereof.
FIG. 3 is a left side view thereof.
FIG. 4 is a front view thereof.
FIG. 5 is a rear view thereof.
FIG. 6 is a top plan view thereof.
FIG. 7 is a bottom view thereof.
FIG. 8 is a perspective view thereof in an open position.
FIG. 9 is a perspective view thereof of an alternate embodiment.
FIG. 10 is a left side view of FIG. 9.
FIG. 11 is a right side view of FIG. 9.
FIG. 12. Is a front view of FIG. 9.
FIG. 13 is a rear view of FIG. 9.
FIG. 14 is a top plan view of FIG. 9.
FIG. 15 is a bottom view of FIG. 9; and,
FIG. 16 is a perspective view of FIG. 9 in an open position.
The broken lines are for illustrative purposes only and form no part of the claimed design.

1 Claim, 10 Drawing Sheets



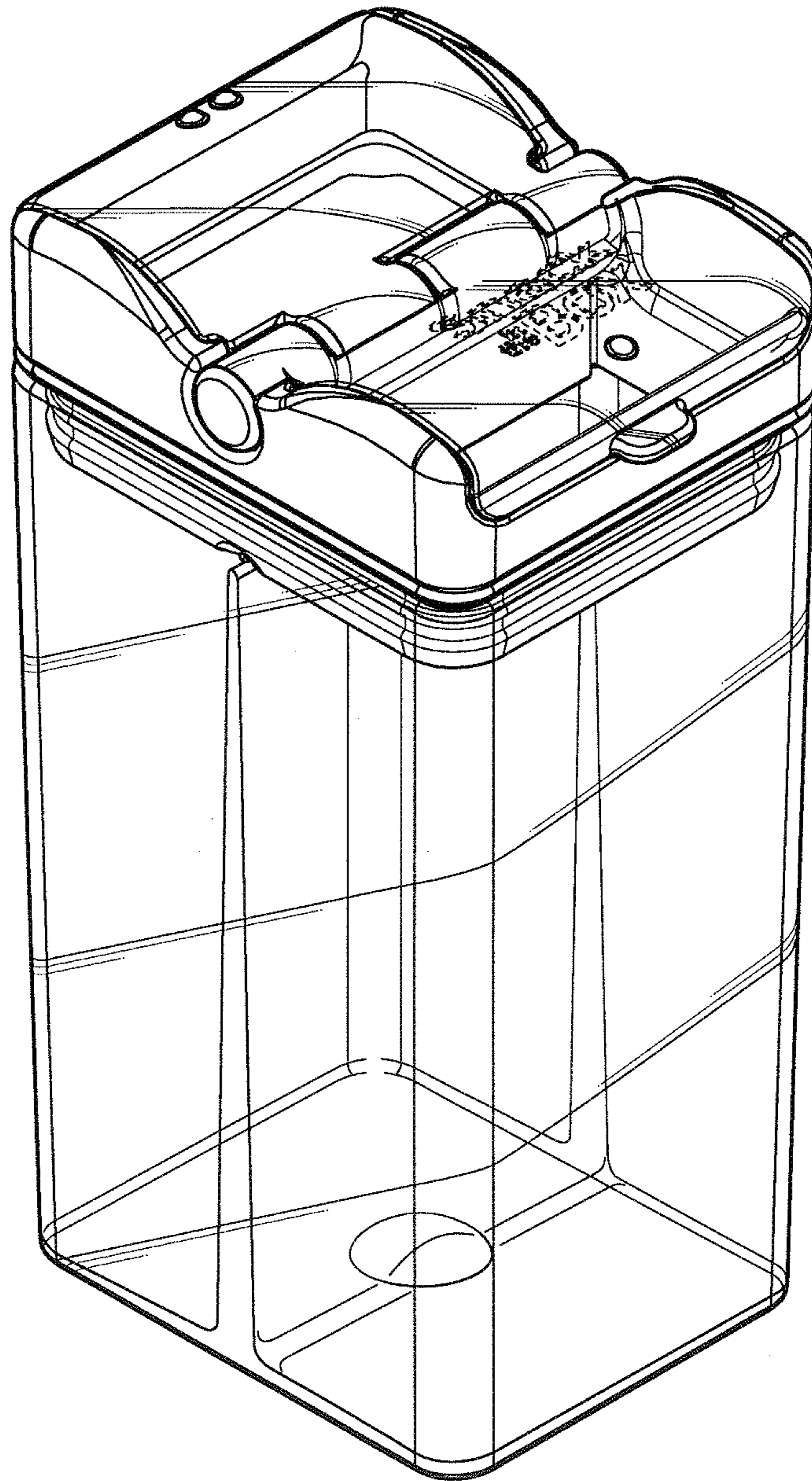


FIG. 1

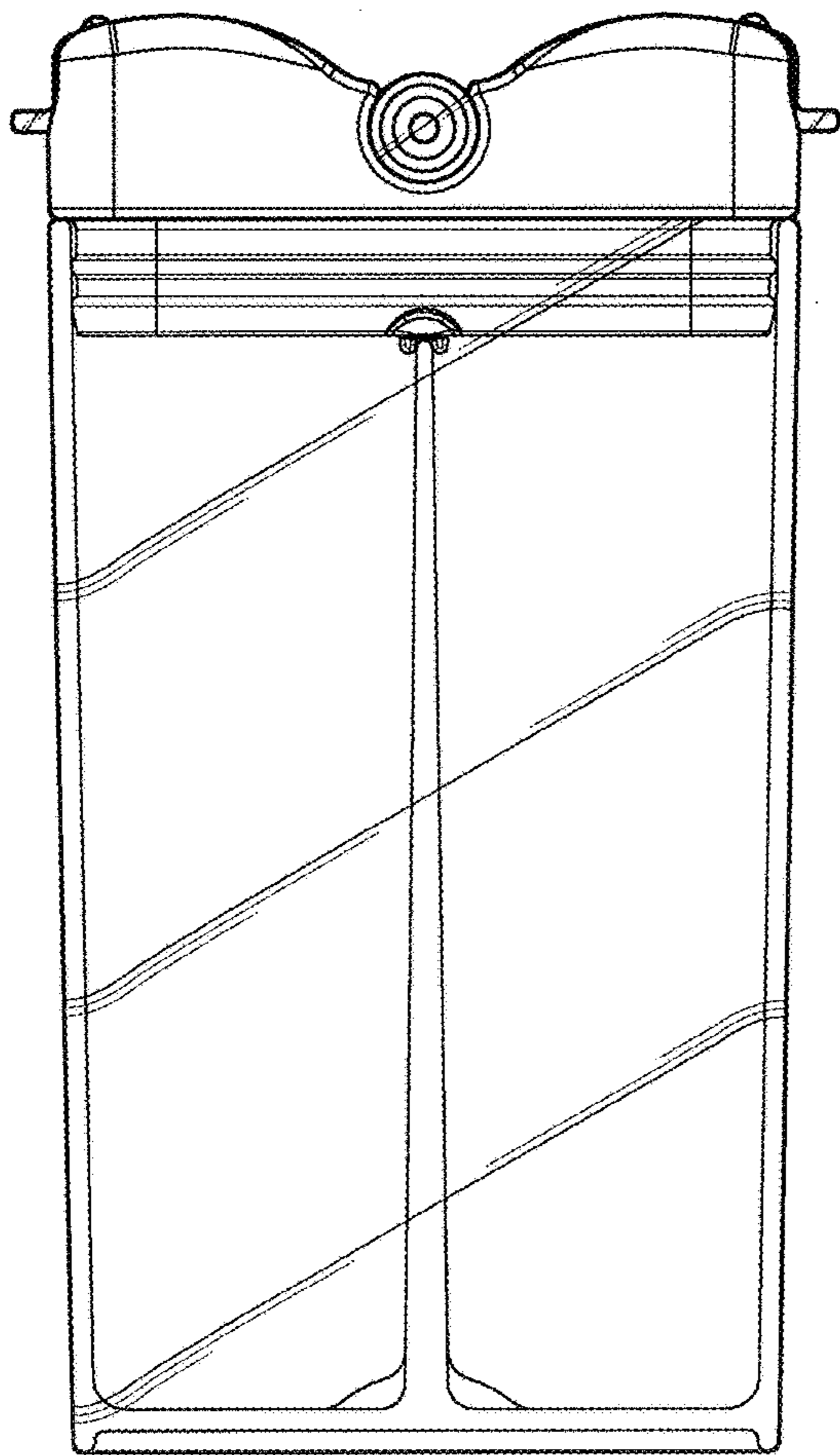


FIG. 2

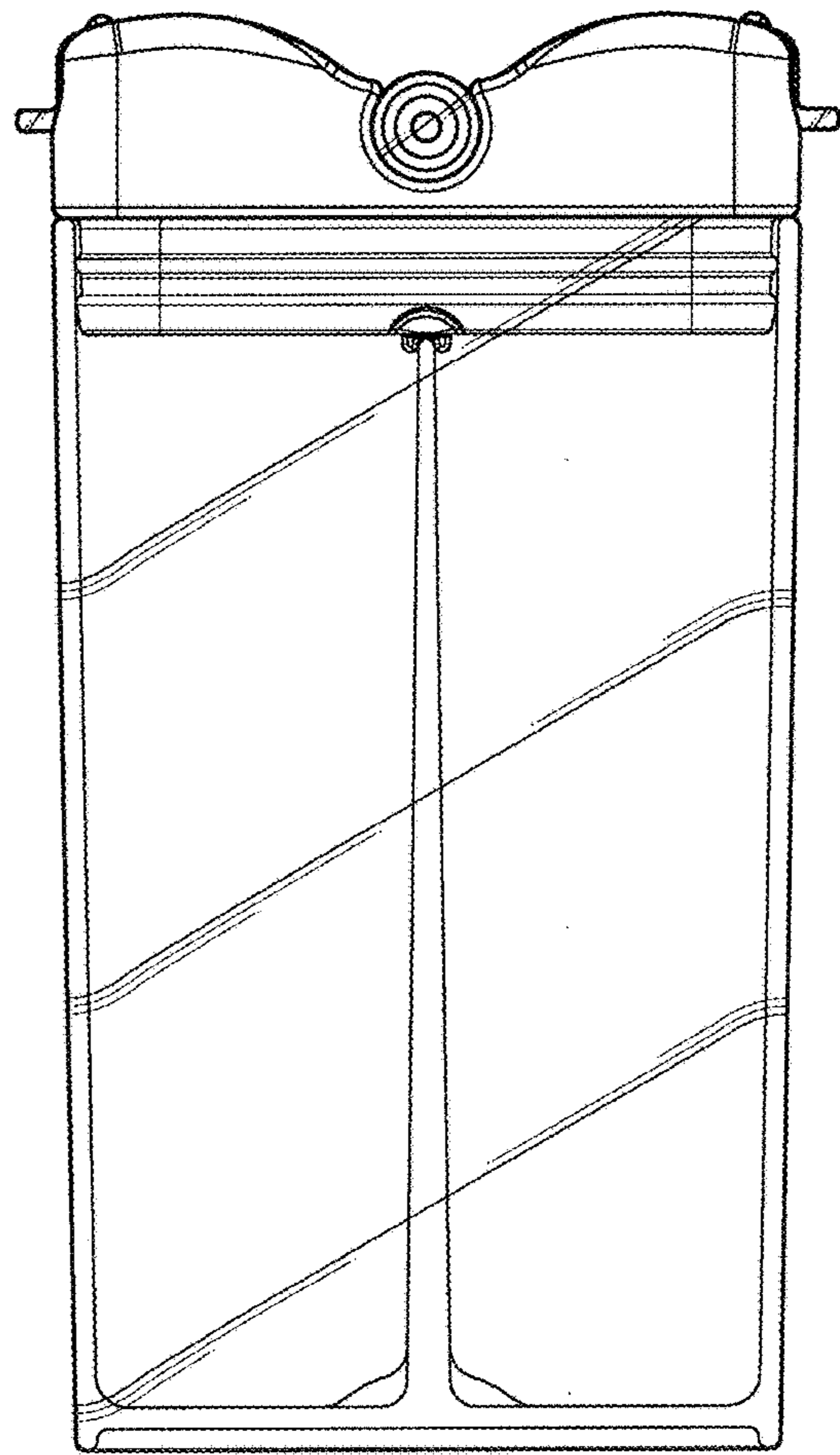


FIG. 3

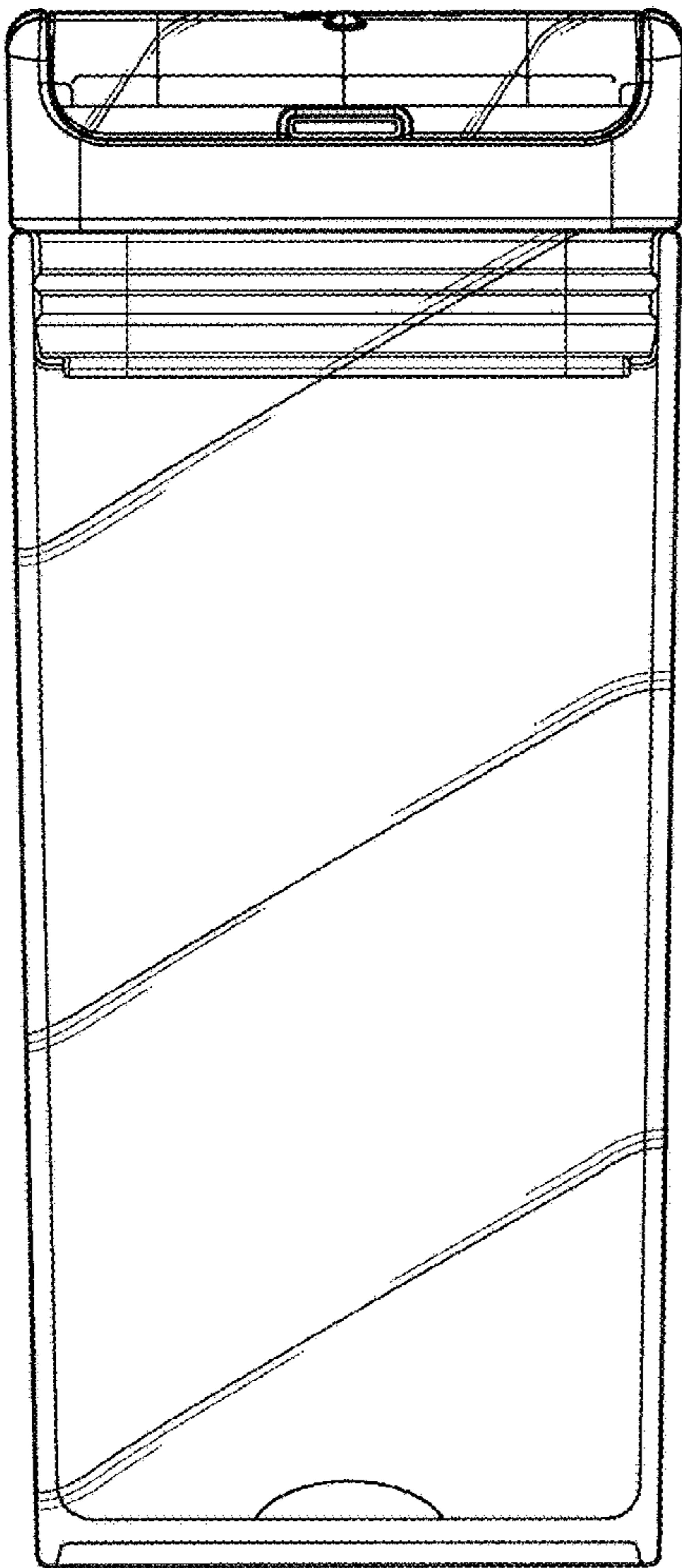


FIG. 4

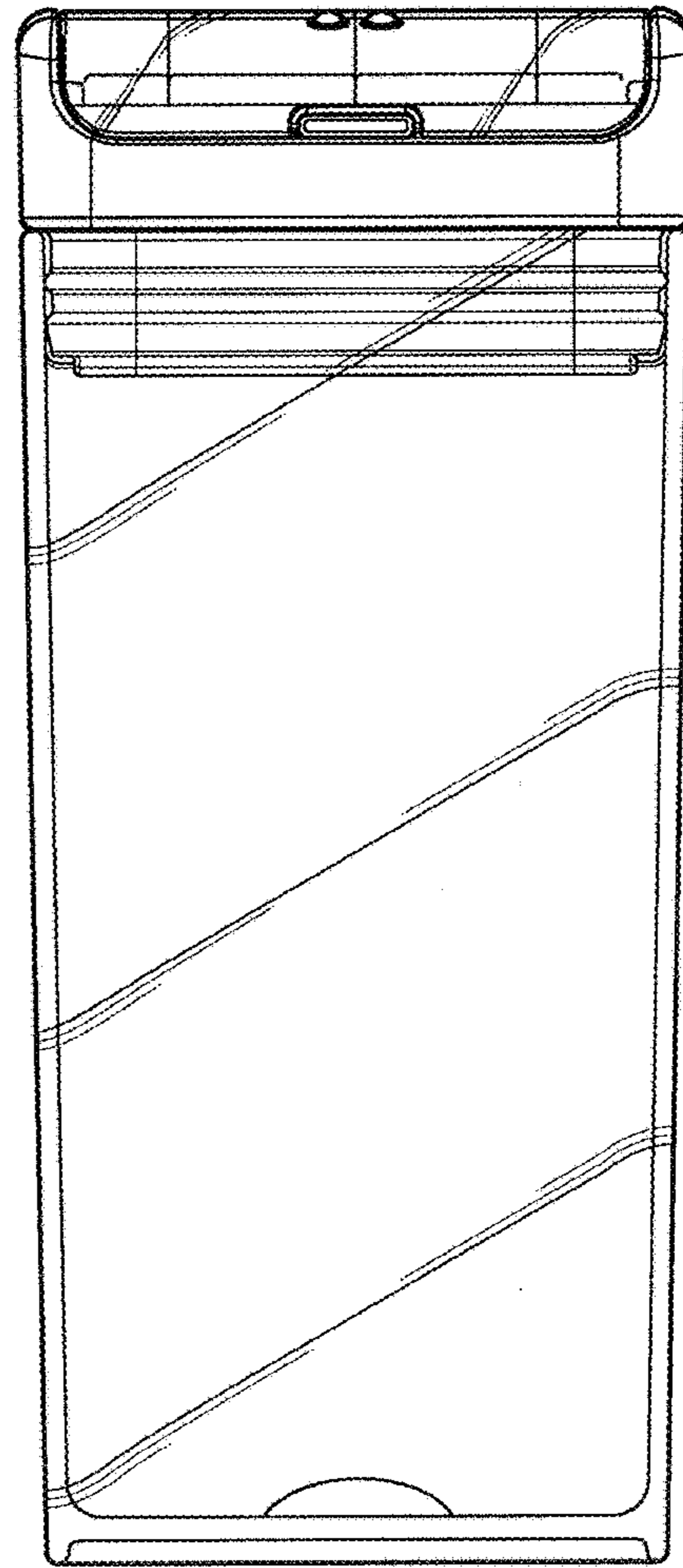


FIG. 5

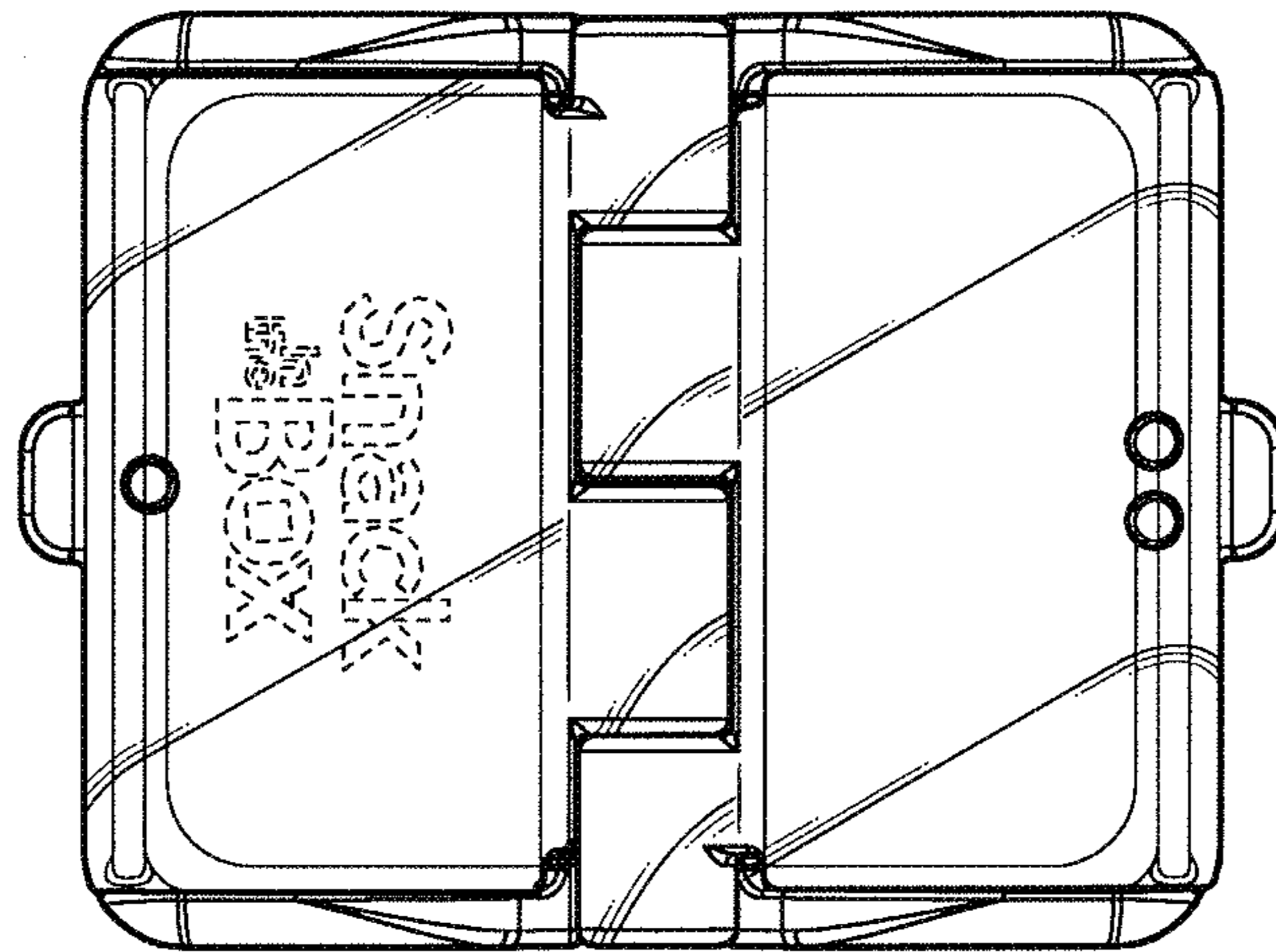


FIG. 6

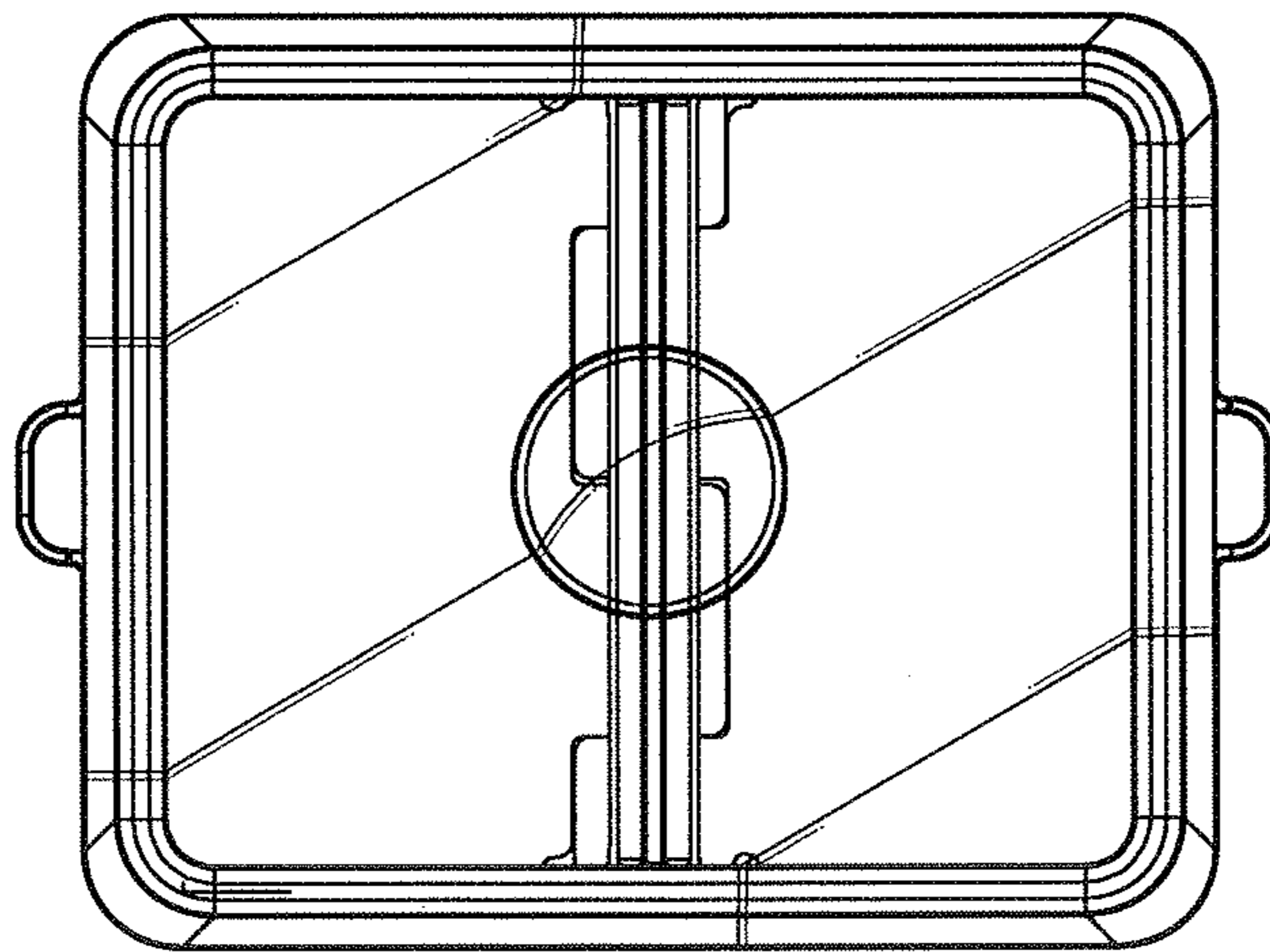


FIG. 7

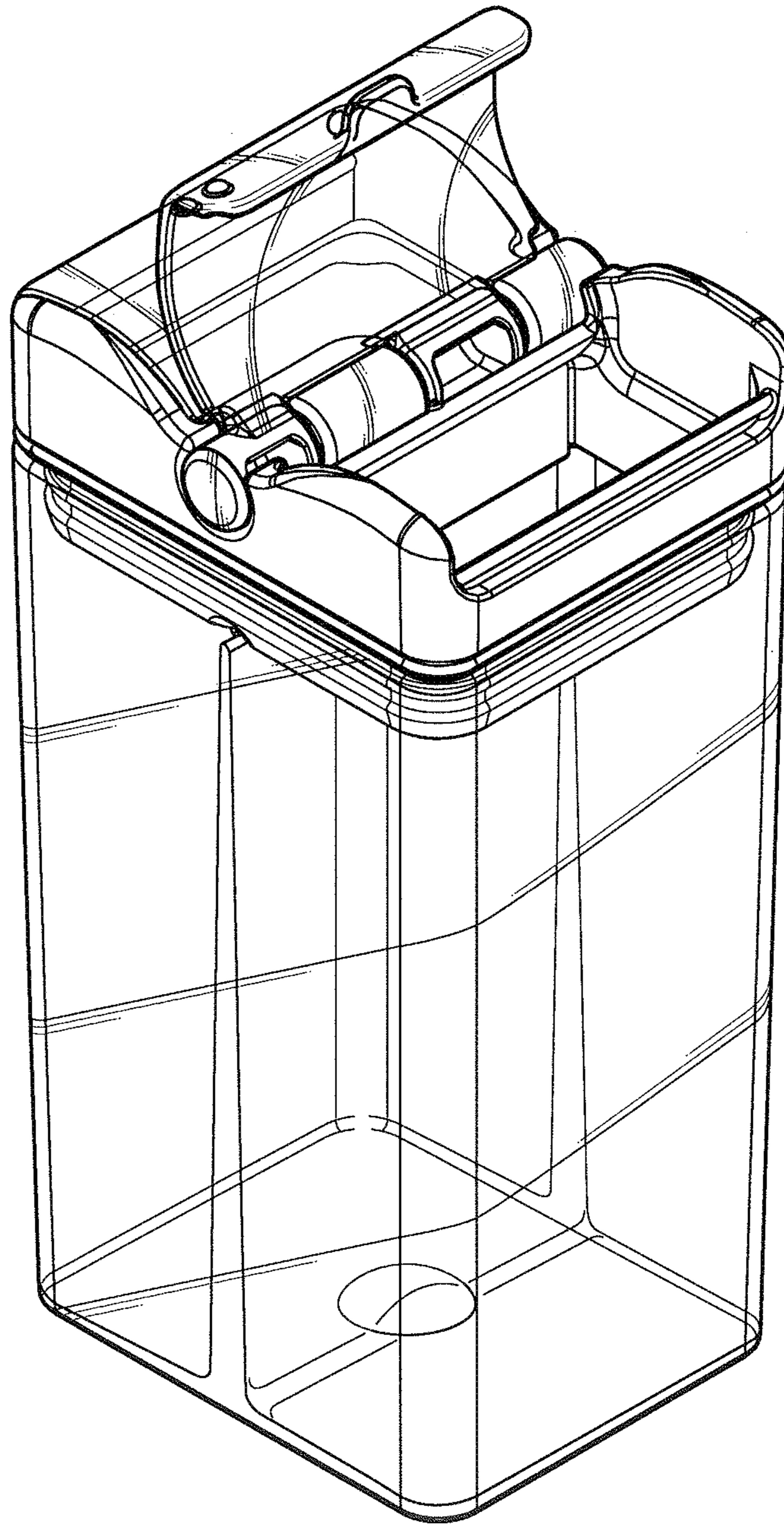


FIG. 8

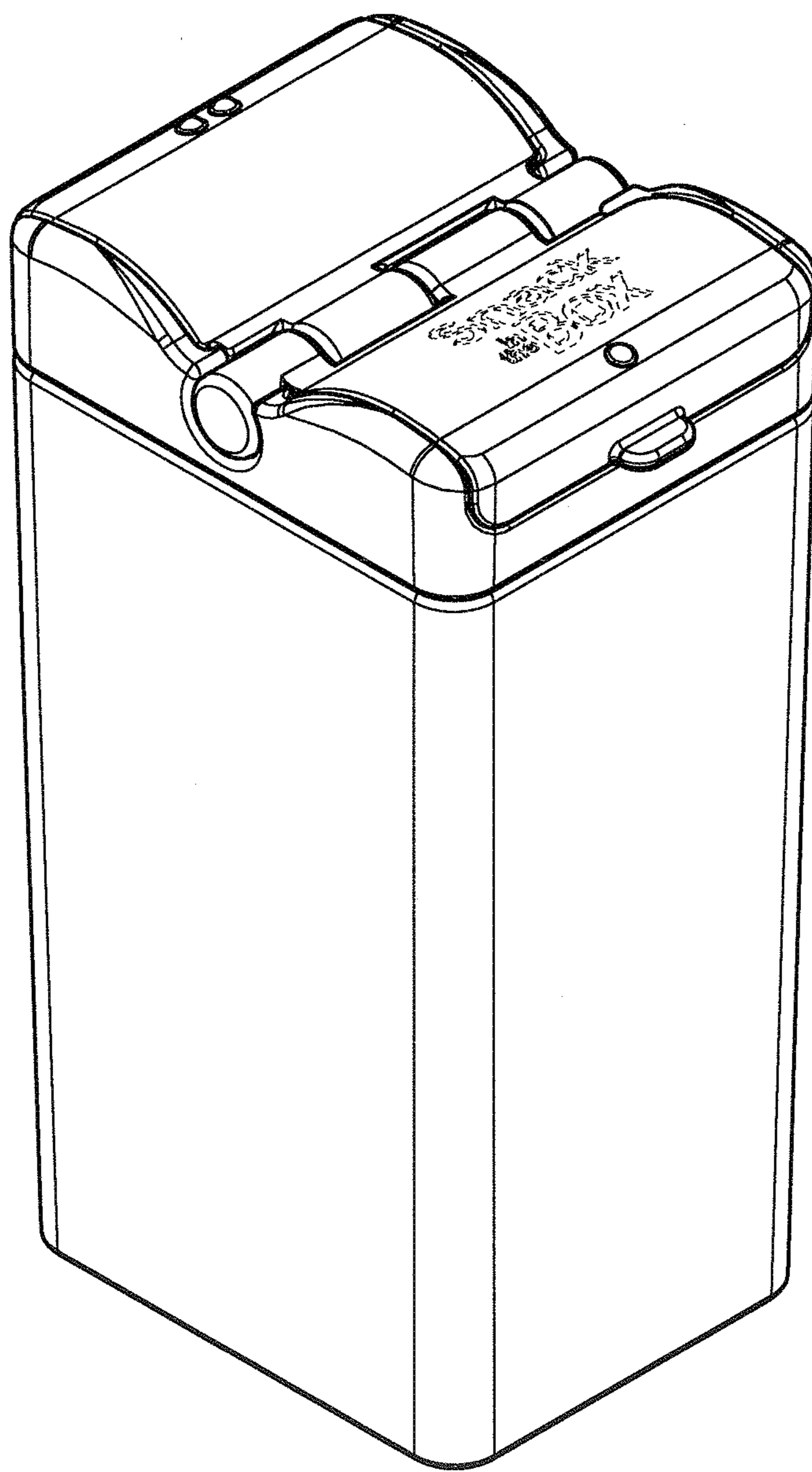


FIG. 9

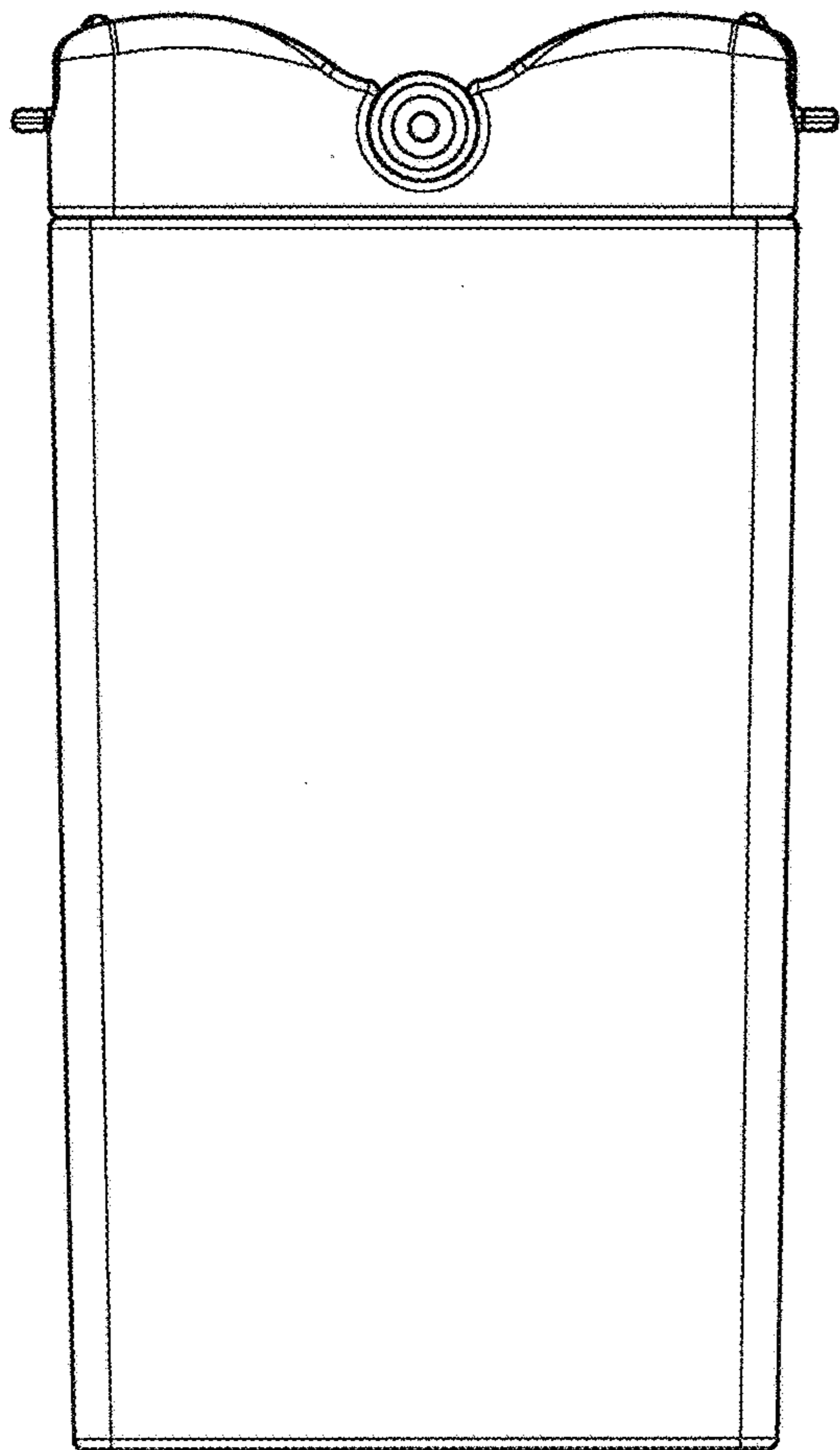


FIG. 10

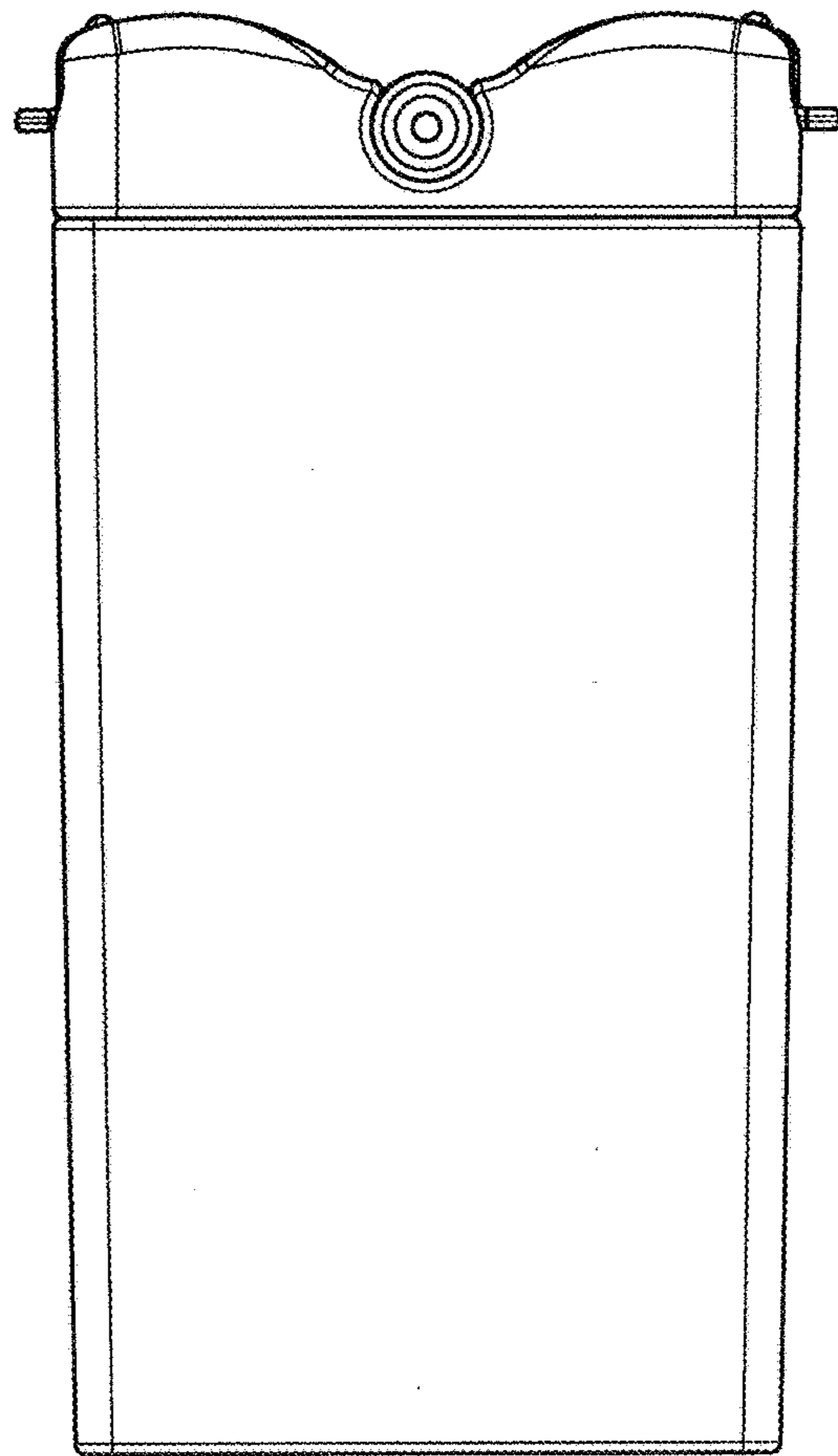


FIG. 11

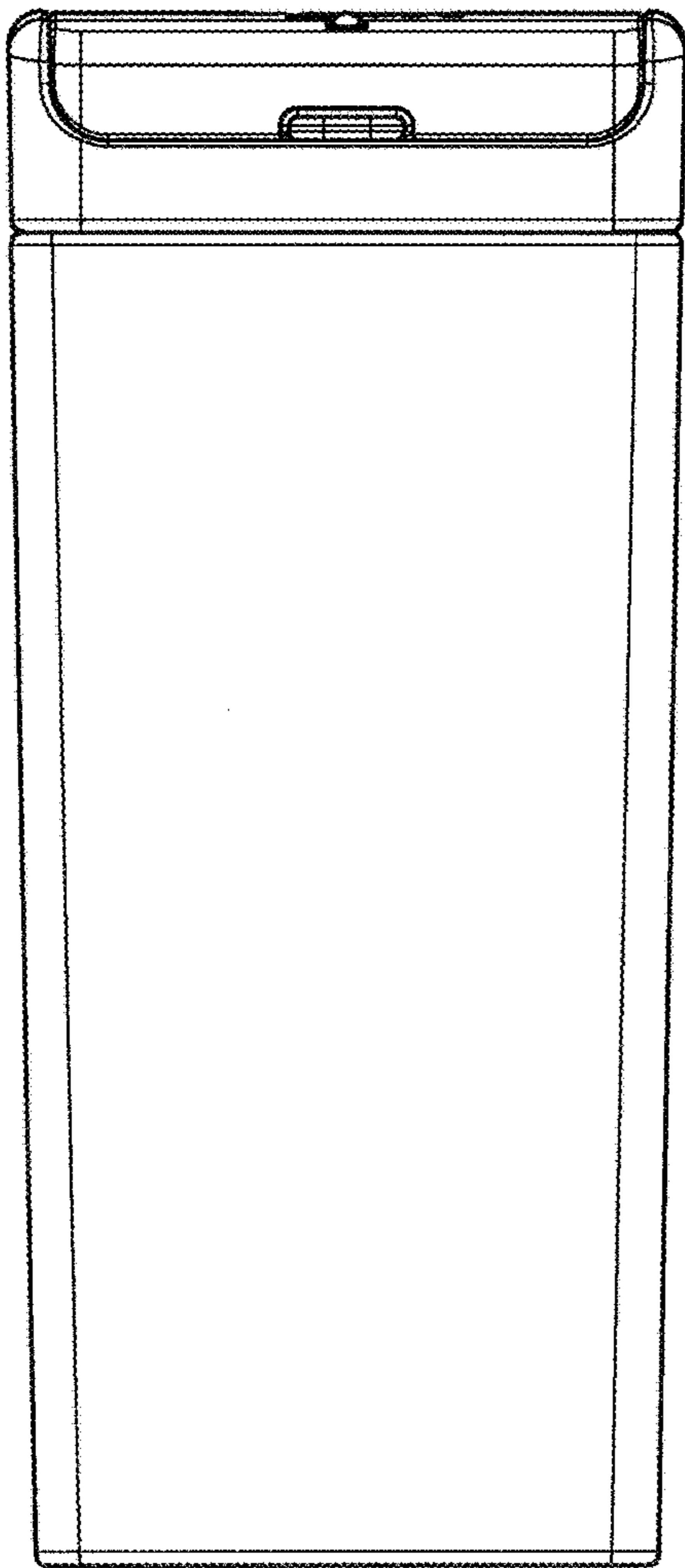


FIG. 12

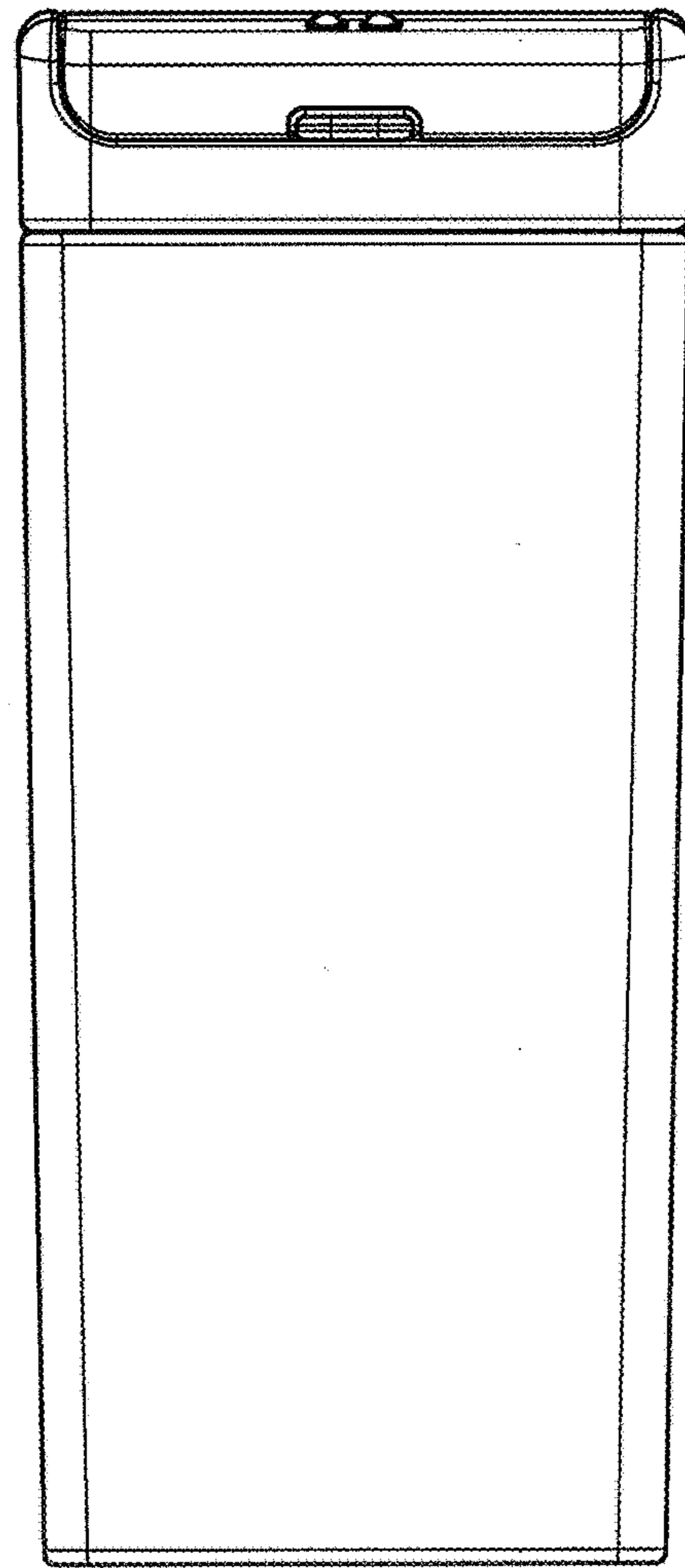


FIG. 13

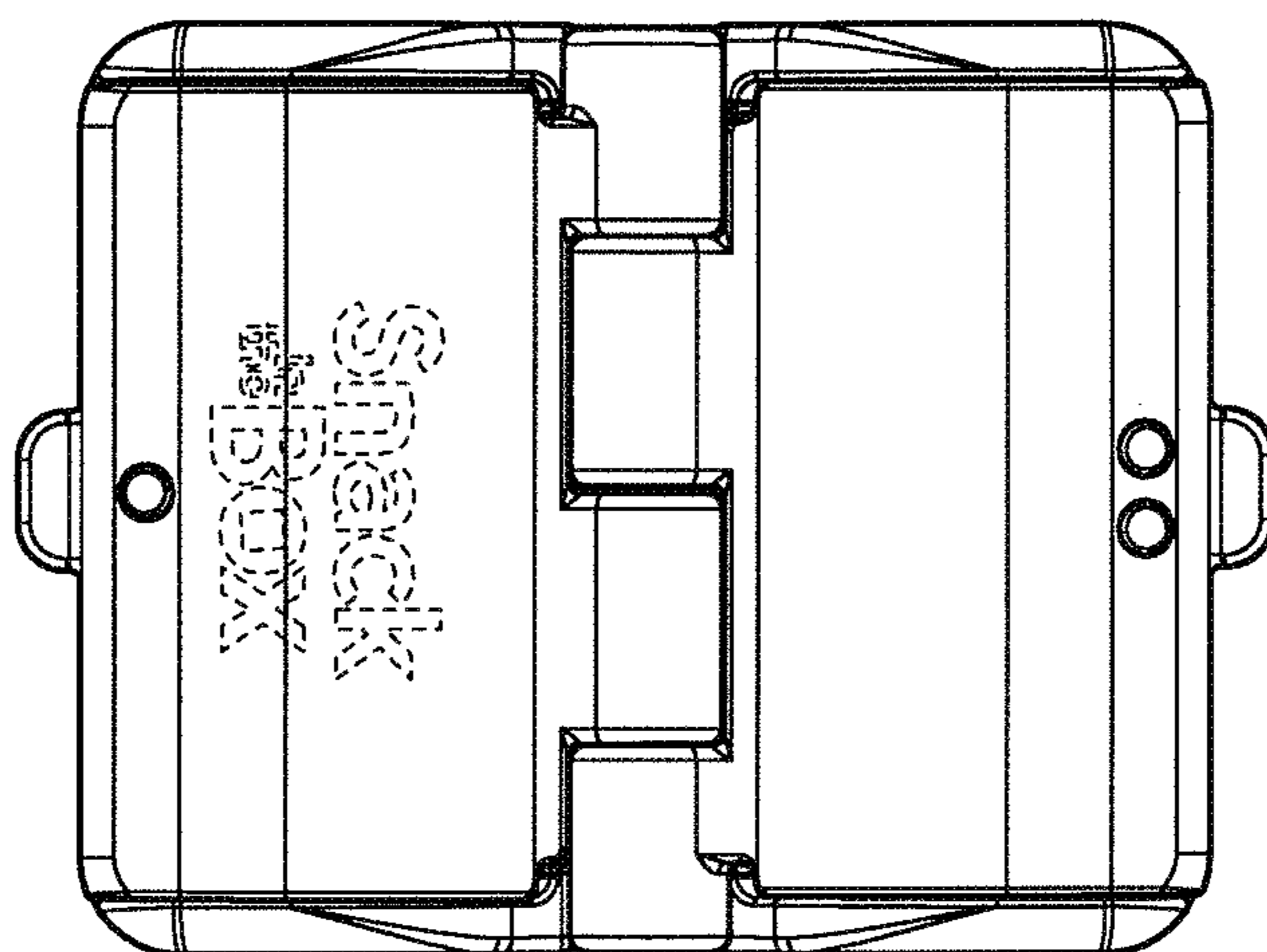


FIG. 14

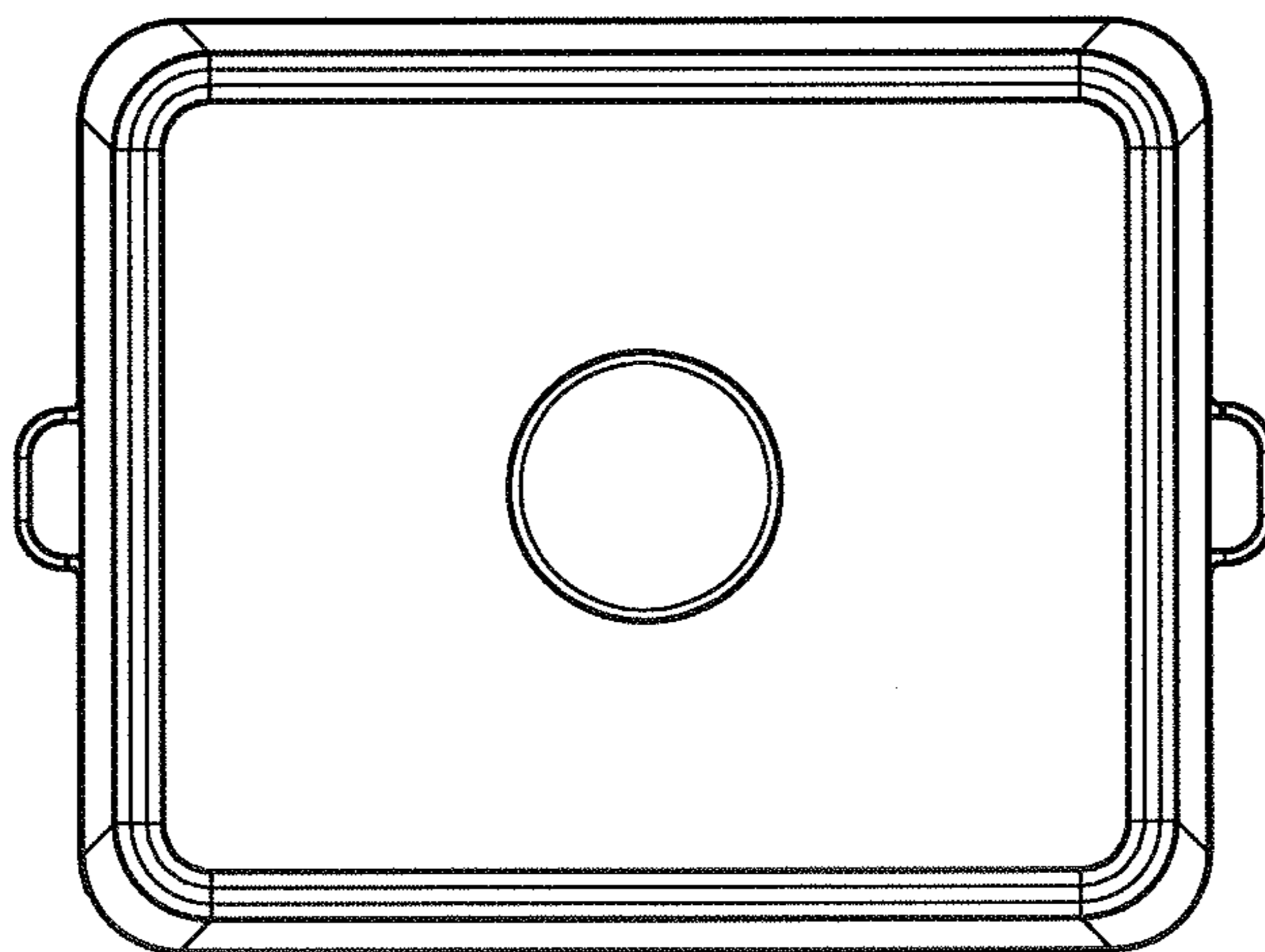


FIG. 15

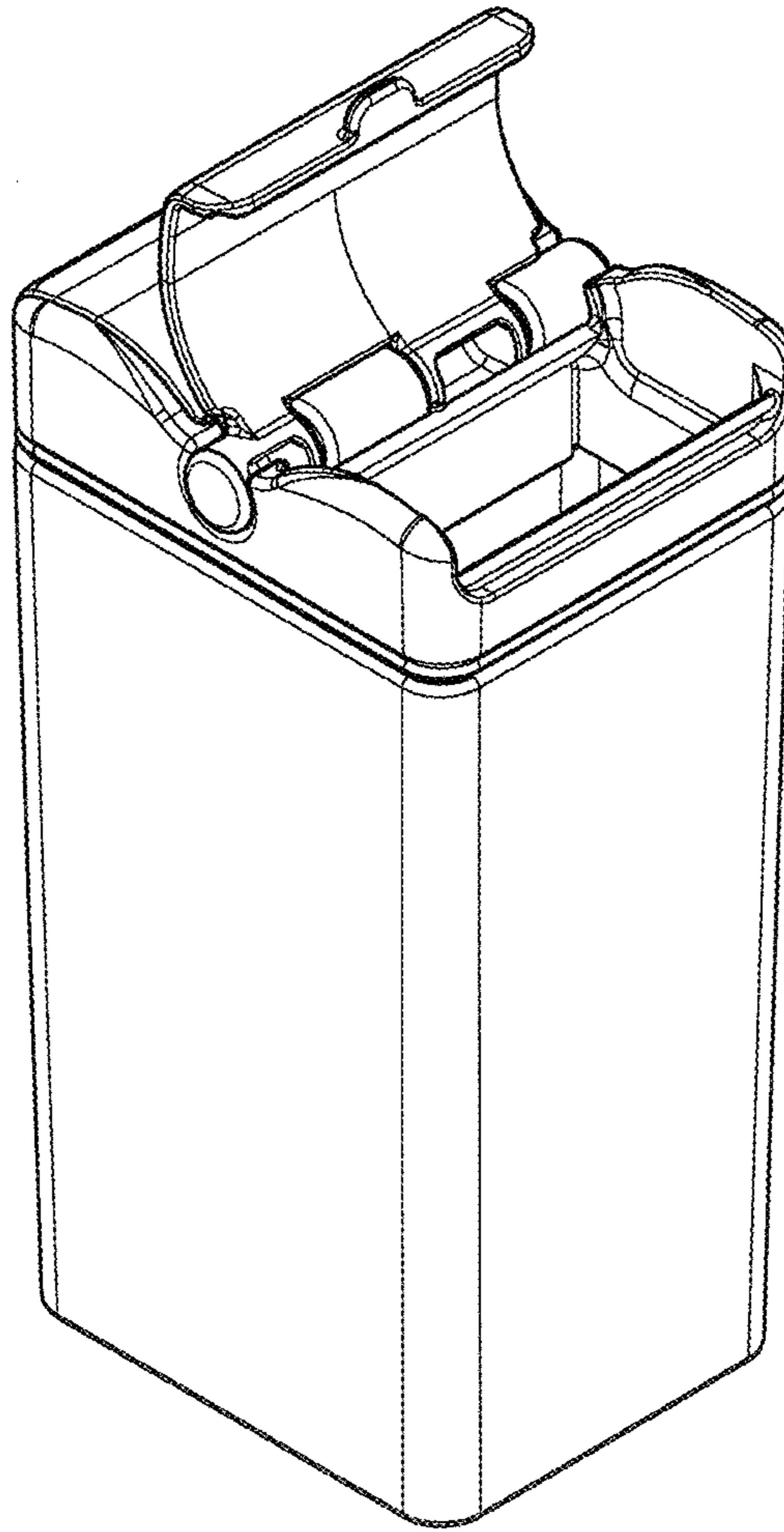


FIG. 16