



US00D789156S

(12) **United States Design Patent**  
**Engler et al.**

(10) **Patent No.:** **US D789,156 S**

(45) **Date of Patent:** **\*\* Jun. 13, 2017**

(54) **TUMBLER SLEEVE**

(71) Applicant: **Boelter Brands, LLC**, Glendale, WI (US)

(72) Inventors: **Jeffrey Engler**, Glendale, WI (US); **Jay Wilcox**, Cedarburg, WI (US)

(73) Assignee: **BOELTER BRANDS, LLC**, Glendale, WI (US)

(\*\*) Term: **15 Years**

(21) Appl. No.: **29/551,837**

(22) Filed: **Jan. 18, 2016**

(51) **LOC (10) Cl.** ..... **07-01**

(52) **U.S. Cl.**

USPC ..... **D7/624.2**

(58) **Field of Classification Search**

USPC ..... D7/605-608, 619.1-625, 523, 528, 532;  
D9/444

CPC ..... A47G 23/0216; A47G 23/02; A47G 23/0208; A47G 23/0258; A47G 23/03; A47G 2023/0283; F17C 13/001; B65D 81/3886; F25D 3/08

See application file for complete search history.

(56) **References Cited**

**U.S. PATENT DOCUMENTS**

4,344,303 A \* 8/1982 Kelly, Jr. .... A61F 7/10  
215/12.1  
8,364,542 B2 \* 1/2013 Grauel ..... B65D 23/104  
156/52

D679,554 S \* 4/2013 Molz ..... D7/607  
2007/0209384 A1 \* 9/2007 Stewart ..... A47G 23/0241  
62/457.2  
2012/0168452 A1 \* 7/2012 Chen ..... B65D 81/3876  
220/737  
2012/0318812 A1 \* 12/2012 Leser ..... B65D 81/3876  
220/739  
2013/0043263 A1 \* 2/2013 Yang ..... B65D 25/2897  
220/738  
2013/0075412 A1 \* 3/2013 Schminke ..... B65D 81/3876  
220/739

\* cited by examiner

*Primary Examiner* — Terry Wallace

(74) *Attorney, Agent, or Firm* — Quarles & Brady LLP

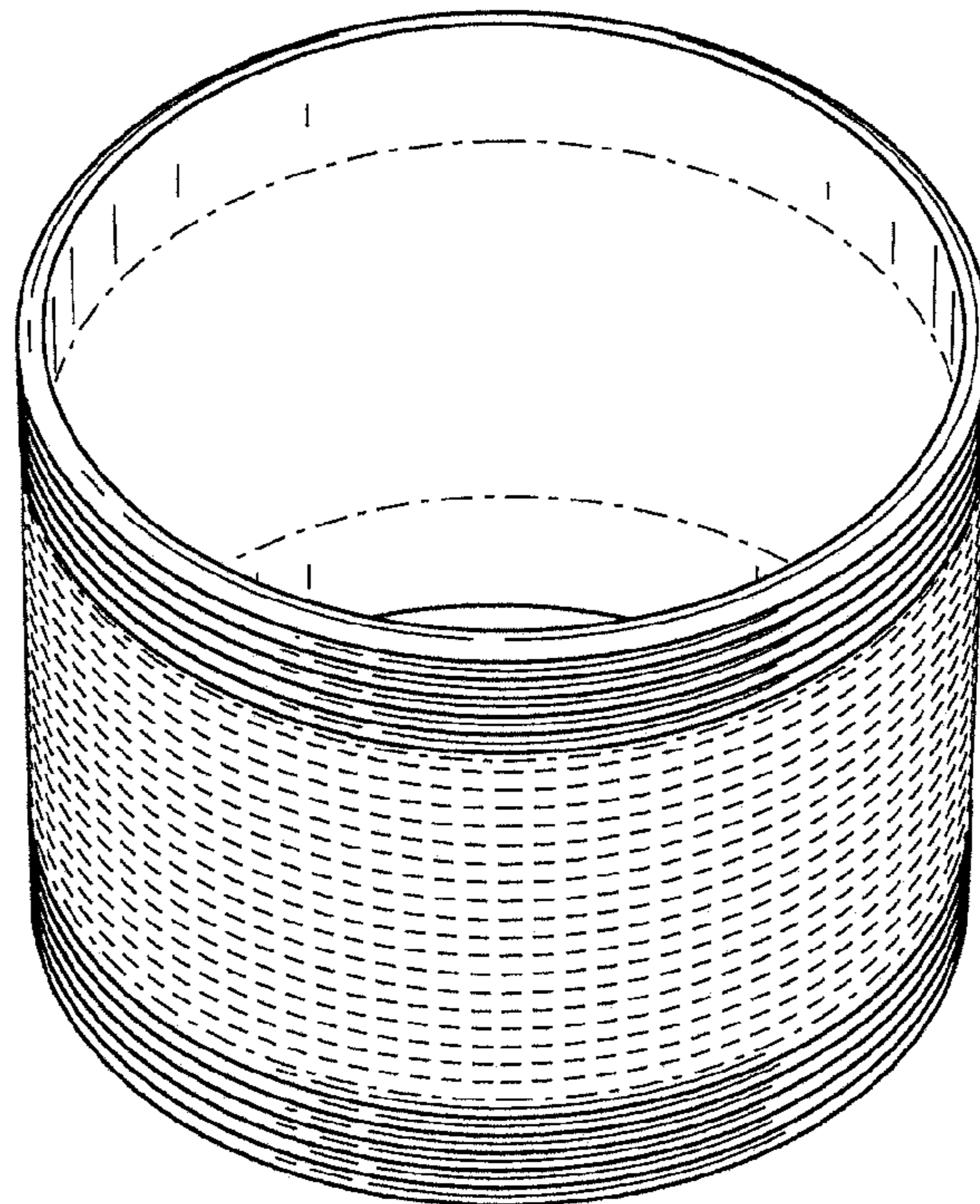
(57) **CLAIM**

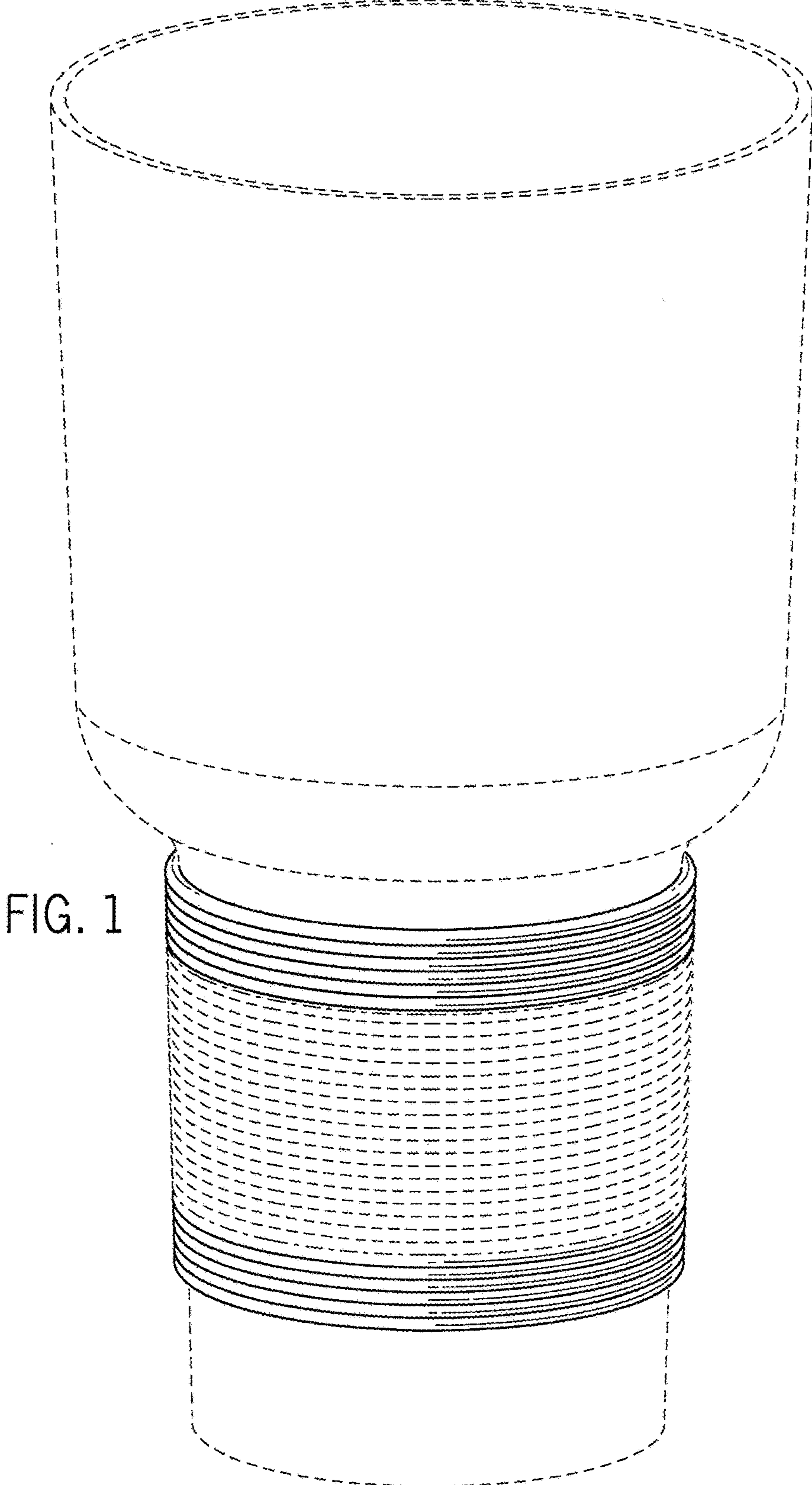
The ornamental design for a tumbler sleeve, as shown and described.

**DESCRIPTION**

FIG. 1 is a side perspective view of a tumbler sleeve embodying my new design; FIG. 2 is a top perspective view of the sleeve of FIG. 1; FIG. 3 is a side elevational view of the sleeve of FIG. 1; FIG. 4 is a top plan view of the sleeve of FIG. 1; and, FIG. 5 is a bottom plan view of the sleeve of FIG. 1. The broken line representations of items in FIGS. 1-5 are for purposes of illustration only, and form no part of the claimed design.

**1 Claim, 3 Drawing Sheets**





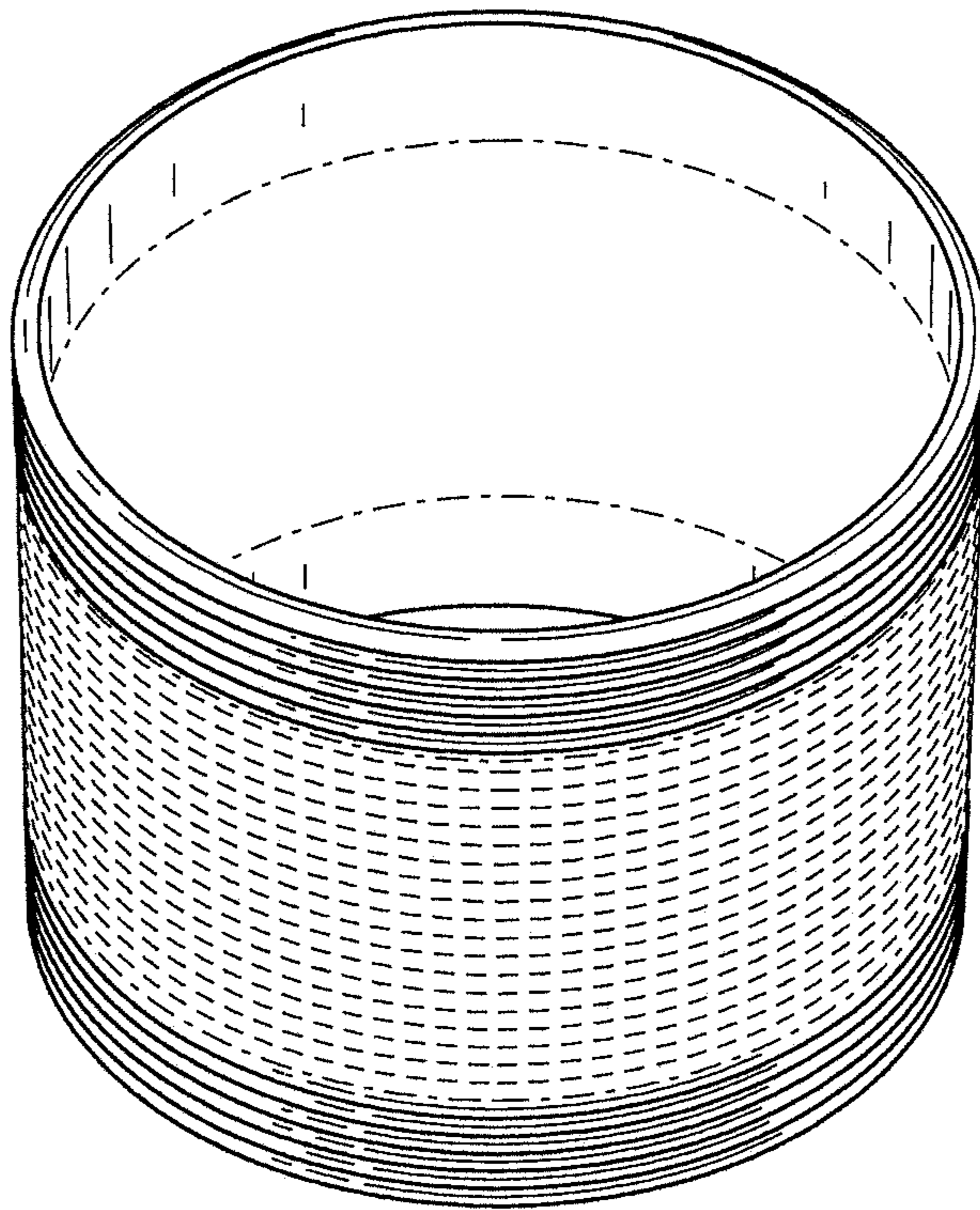


FIG. 2

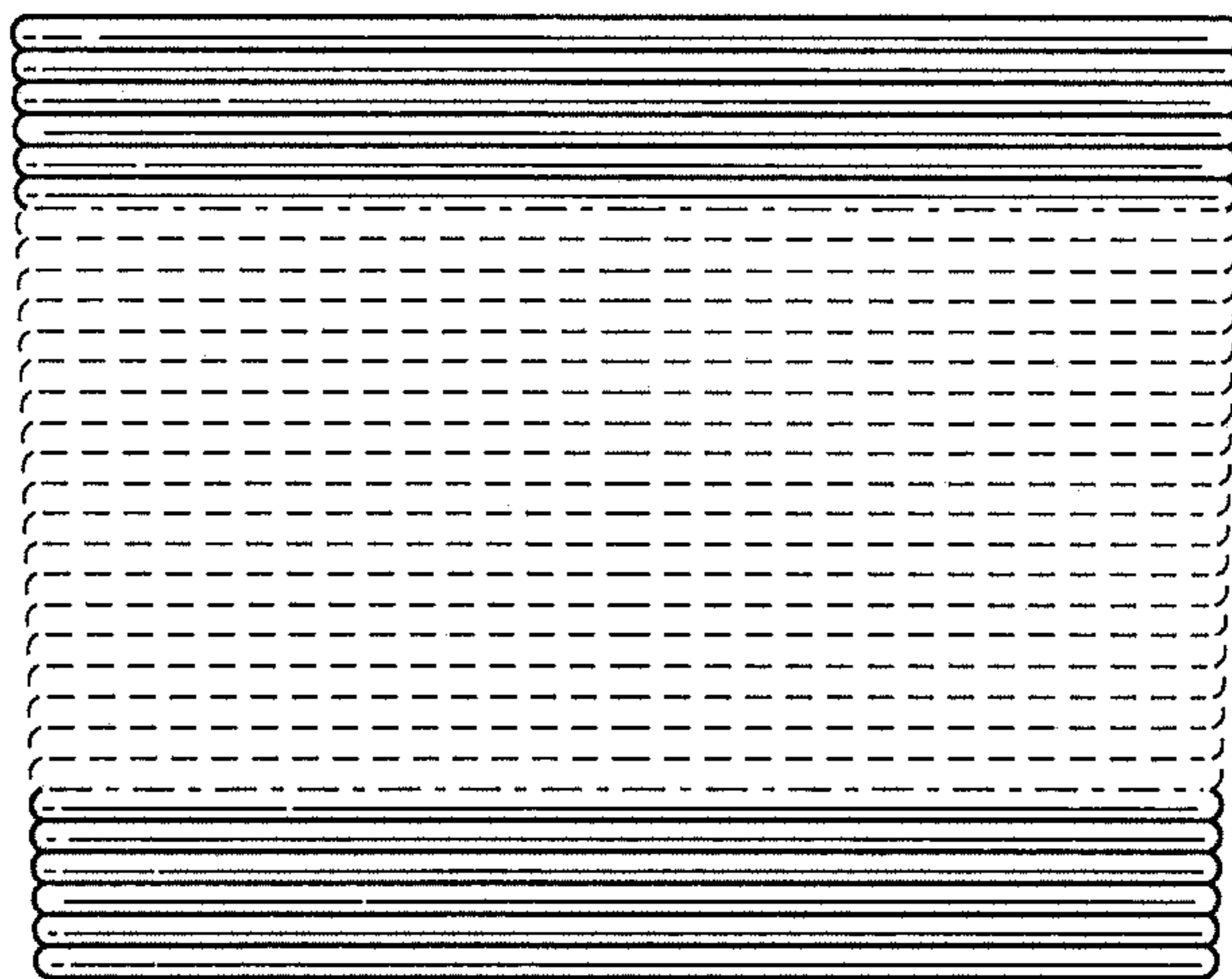


FIG. 3

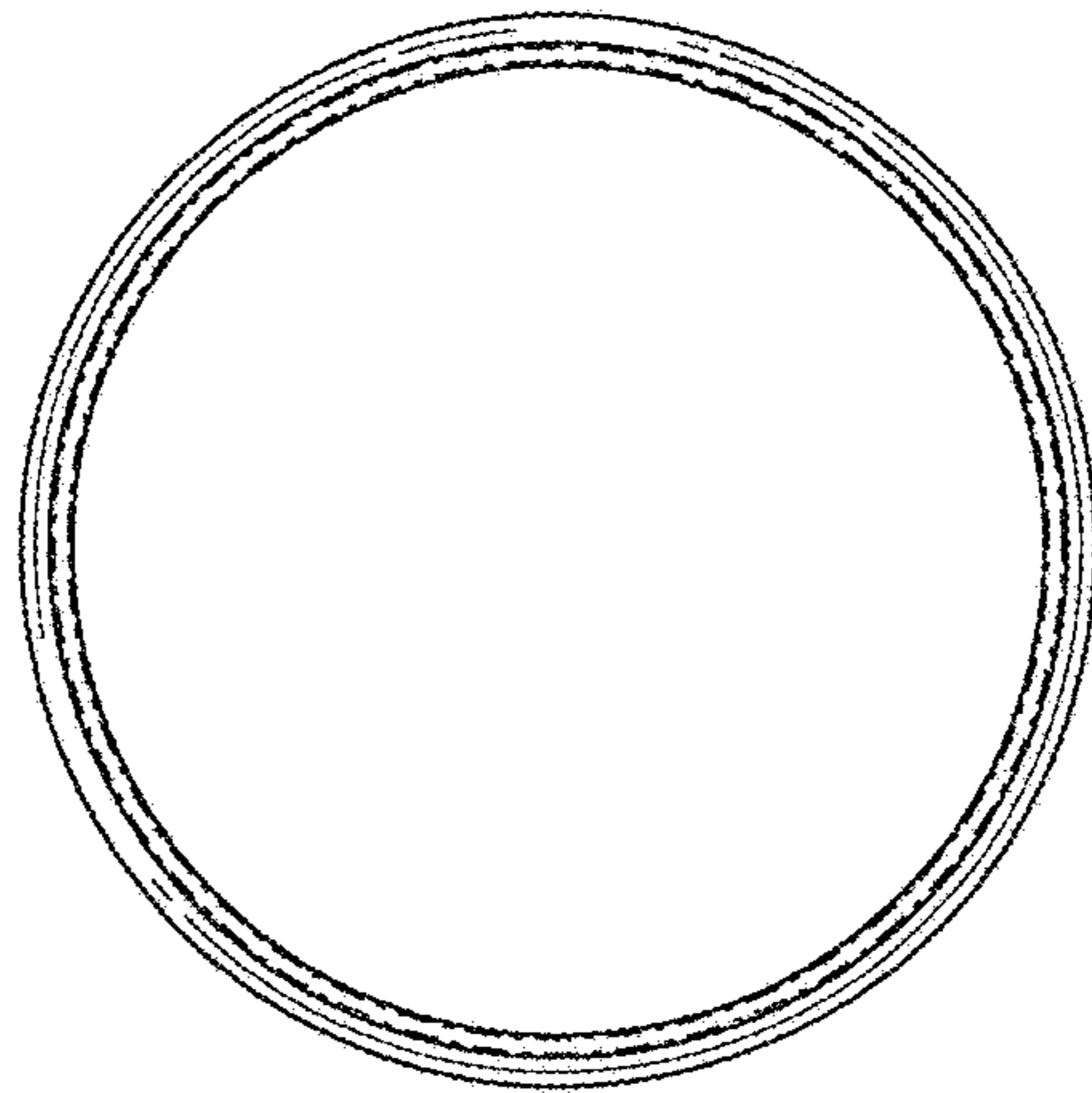


FIG. 4

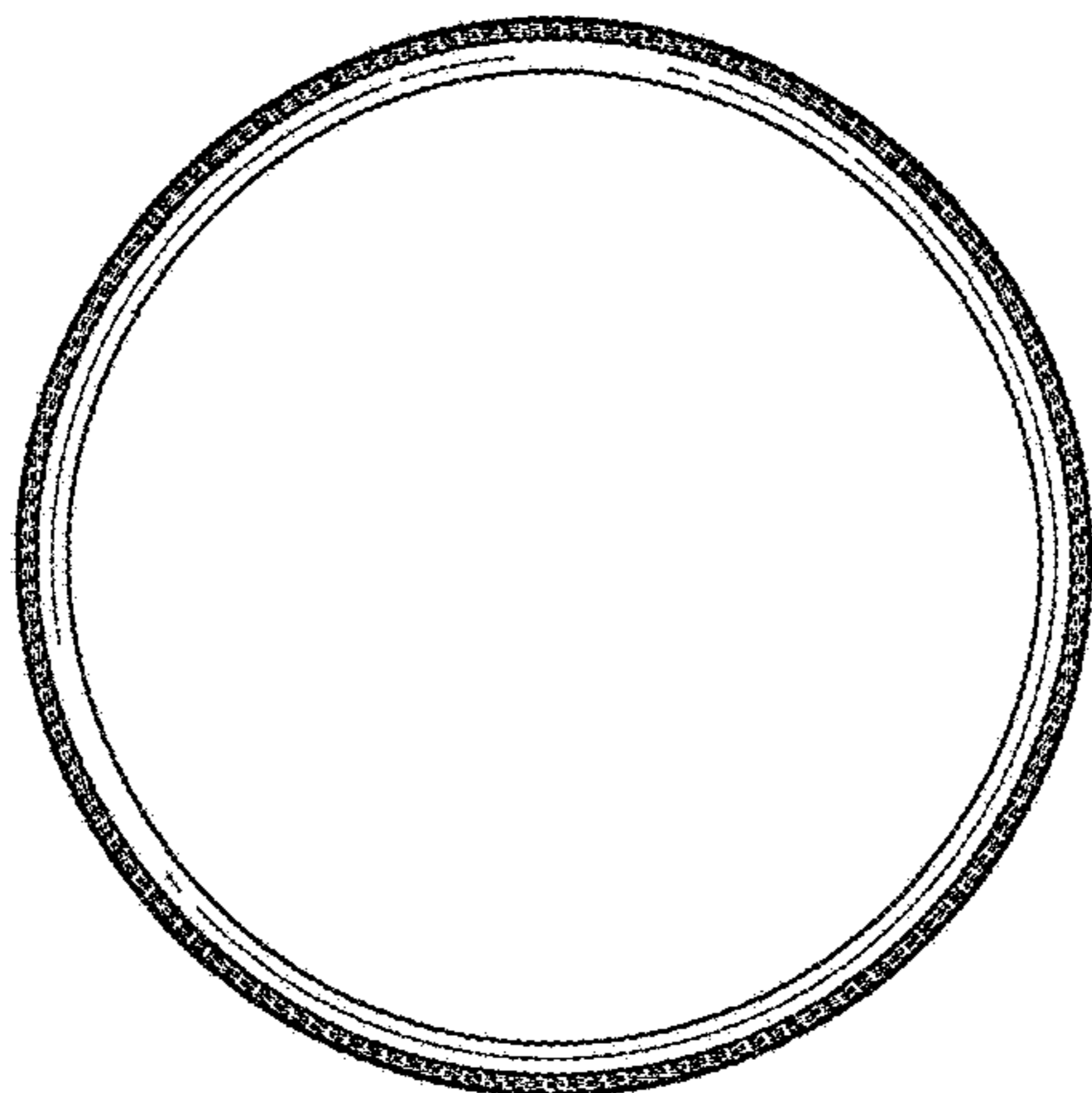


FIG. 5