



US00D789155S

(12) **United States Design Patent**  
**Triato**

(10) **Patent No.:** **US D789,155 S**  
(45) **Date of Patent:** **\*\* Jun. 13, 2017**

(54) **PROTECTIVE BEVERAGE CONTAINER SHEATH**

(71) Applicant: **Patrick R. Triato**, Portland, OR (US)

(72) Inventor: **Patrick R. Triato**, Portland, OR (US)

(73) Assignee: **Kalm Down, LLC**, Seattle, WA (US)

(\*\*) Term: **14 Years**

(21) Appl. No.: **29/524,418**

(22) Filed: **Apr. 20, 2015**

(51) **LOC (10) Cl.** ..... **07-01**

(52) **U.S. Cl.**  
USPC ..... **D7/624.2**

(58) **Field of Classification Search**  
USPC ..... D7/605, 607, 608, 619.1, 624.2, 523,  
D7/532; D9/431, 500, 521, 544, 560,  
D9/571

CPC .. F25D 3/08; B65D 25/30; B65D 7/24; B65D  
81/3876; B65D 81/3879; B65D 23/104;  
B65D 81/38; B65D 81/3886; B65D  
81/3883; B65D 81/3881; A45C 11/20;  
A47G 23/0216; A47G 19/2288; A45F  
2200/0583; A61F 7/10; B31D 5/0086  
See application file for complete search history.

(56) **References Cited**

**U.S. PATENT DOCUMENTS**

4,163,374 A \* 8/1979 Moore ..... B65D 81/3883  
220/592.01  
D330,514 S \* 10/1992 Edwards ..... D7/603

D353,297 S \* 12/1994 Sokolski ..... D7/387  
D404,974 S \* 2/1999 Kristinik ..... D7/608  
5,909,821 A \* 6/1999 Guridi ..... B65D 81/3886  
220/592  
D442,833 S \* 5/2001 Shuman ..... D7/608  
6,357,253 B1 \* 3/2002 Condy ..... B65D 81/3883  
62/371  
7,568,362 B2 \* 8/2009 Oas ..... A47G 23/0216  
62/457.3  
D703,492 S \* 4/2014 Schmidt ..... D7/608  
2010/0005828 A1 \* 1/2010 Fedell ..... F25D 3/08  
62/457.4

\* cited by examiner

*Primary Examiner* — Freda S Nunn

(74) *Attorney, Agent, or Firm* — Mersenne Law

(57) **CLAIM**

The ornamental design for protective beverage container sheath, as shown and described.

**DESCRIPTION**

FIG. 1 is a front perspective view of a protective beverage container sheath showing my new design.

FIG. 2 is a front view thereof.

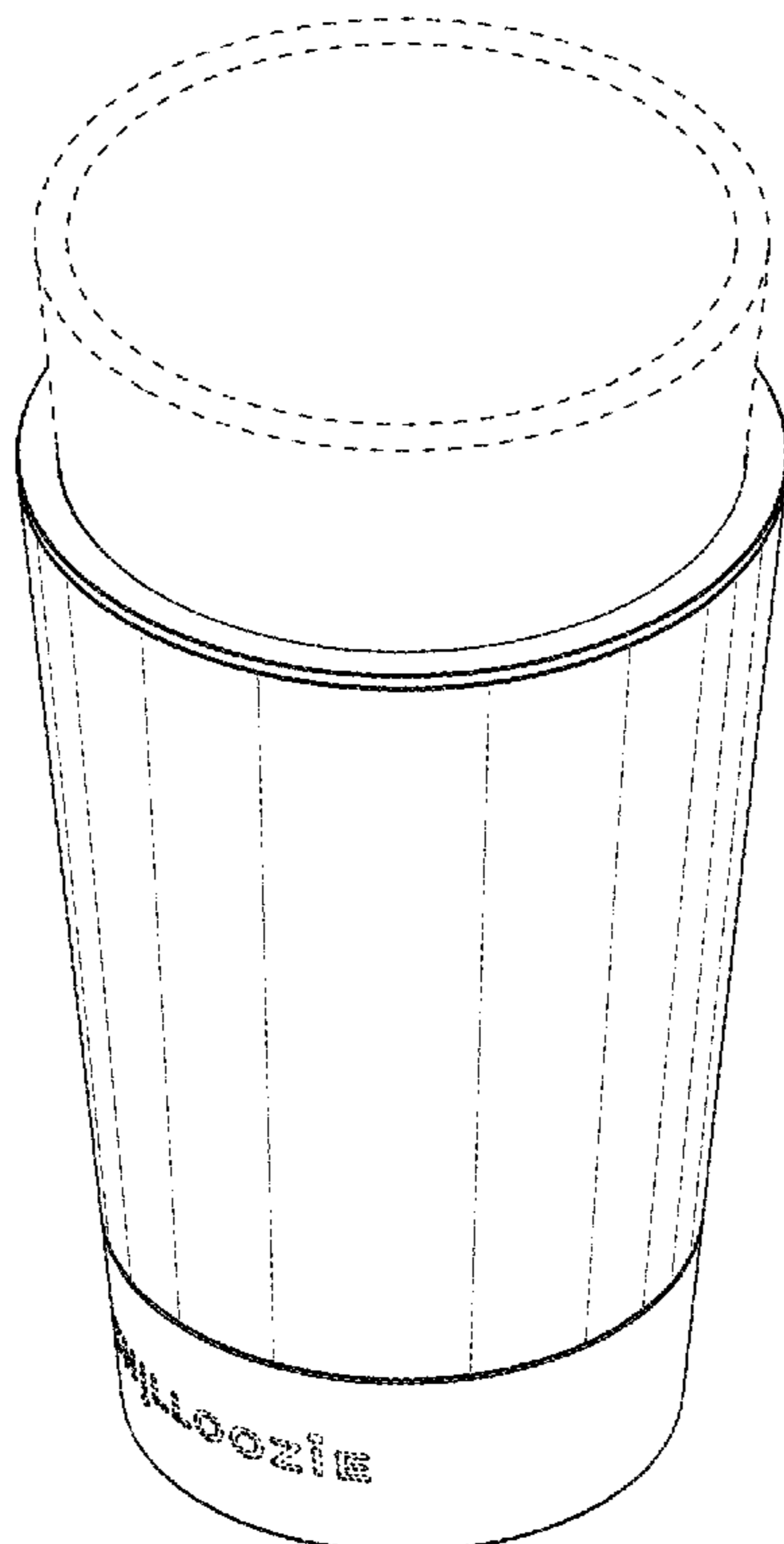
FIG. 3 is another front view thereof without the beverage container.

FIG. 4 is a top view thereof; and,

FIG. 5 is a bottom view thereof.

Dashed lines in the figures are directed to environment only and form no part of the claimed design.

**1 Claim, 2 Drawing Sheets**



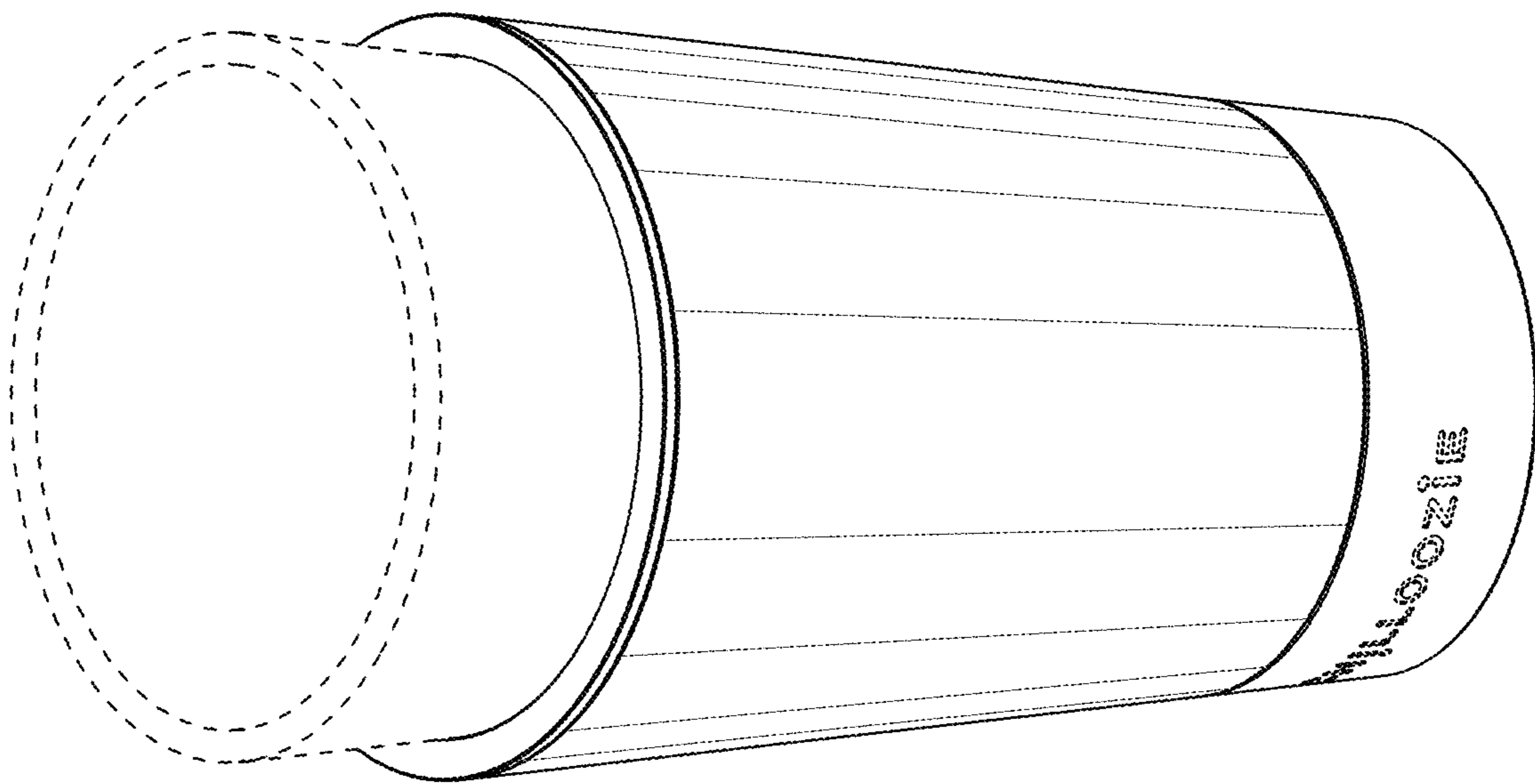


Fig. 1

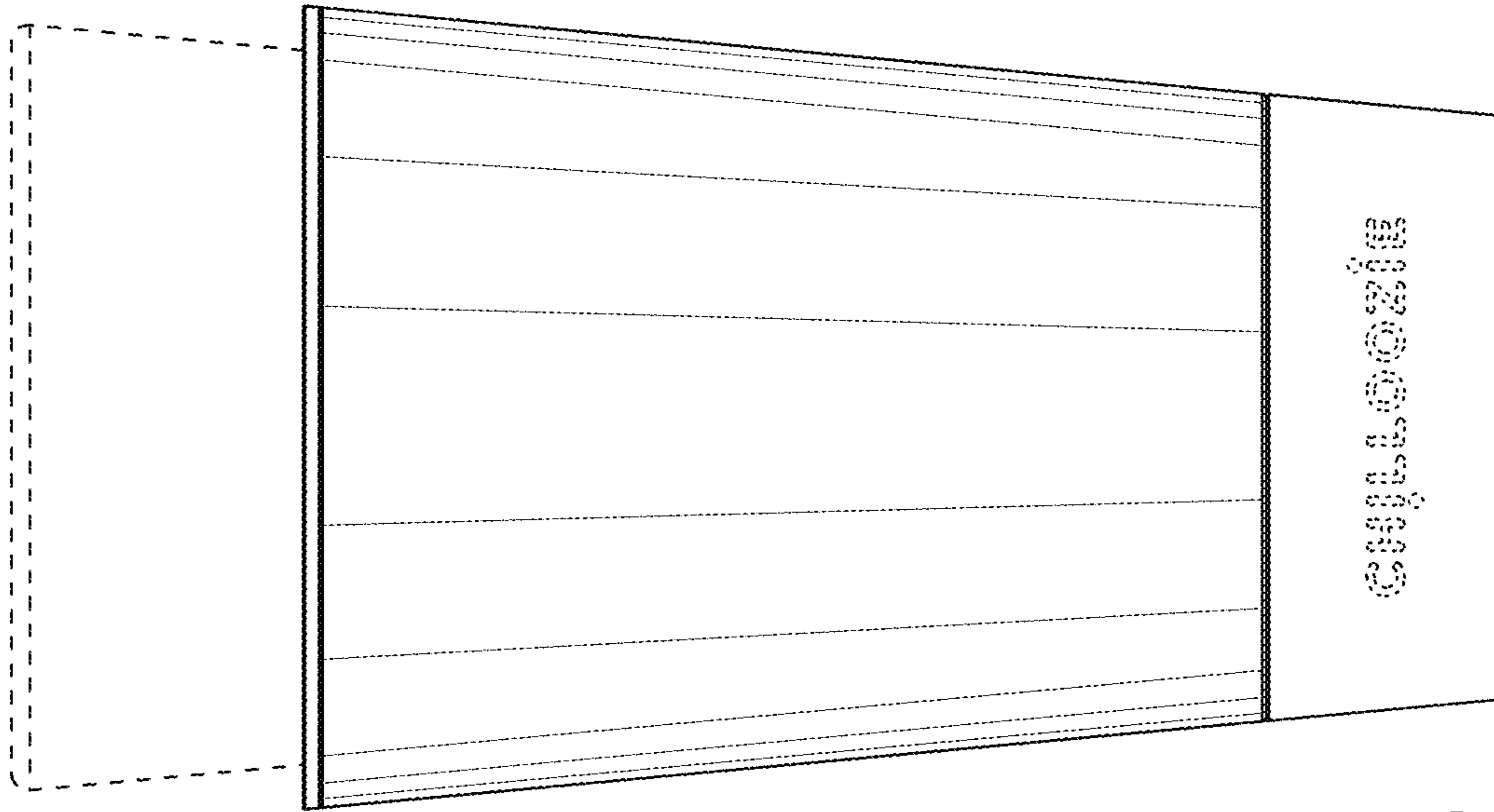


Fig. 2

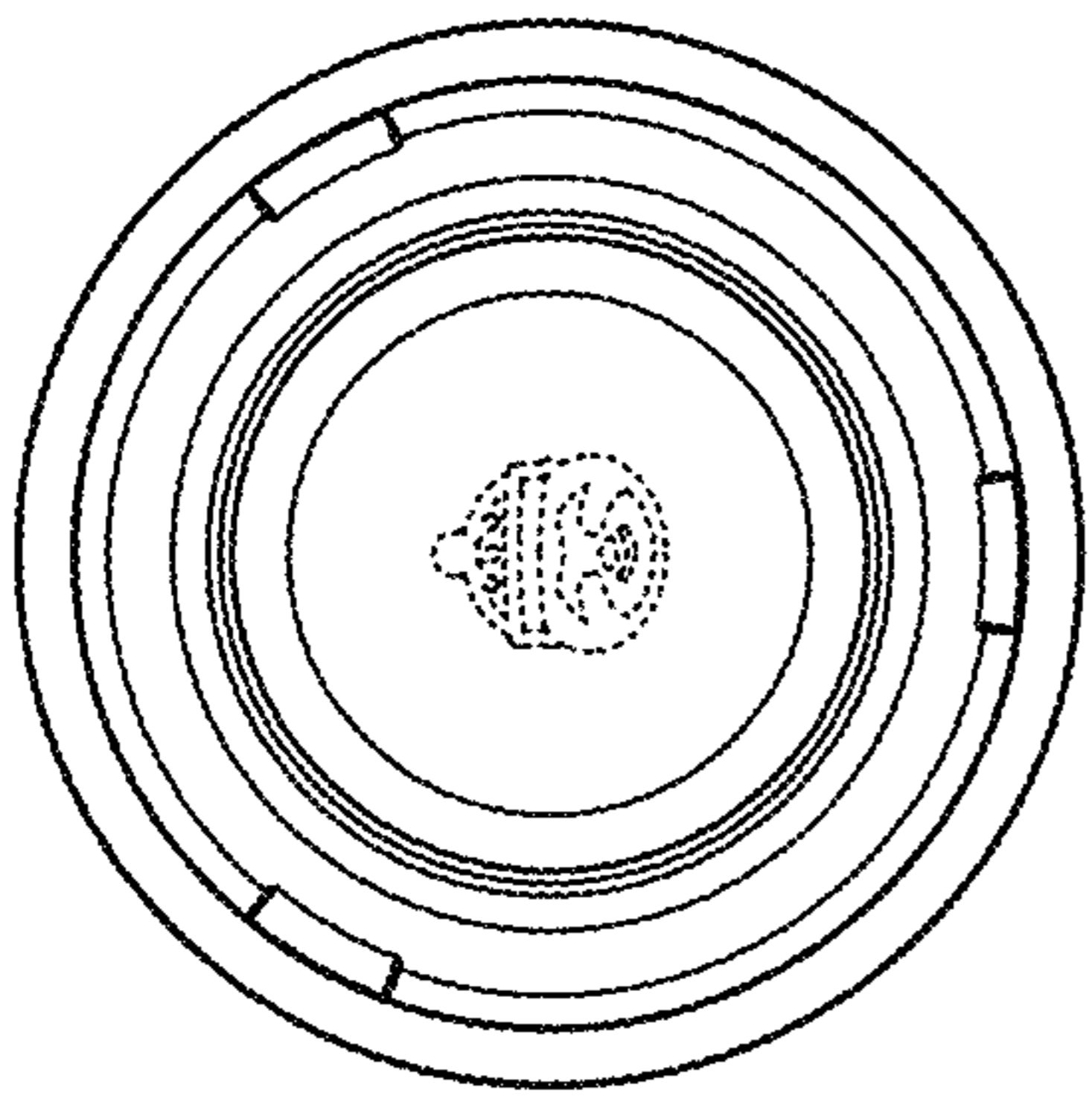


Fig. 4

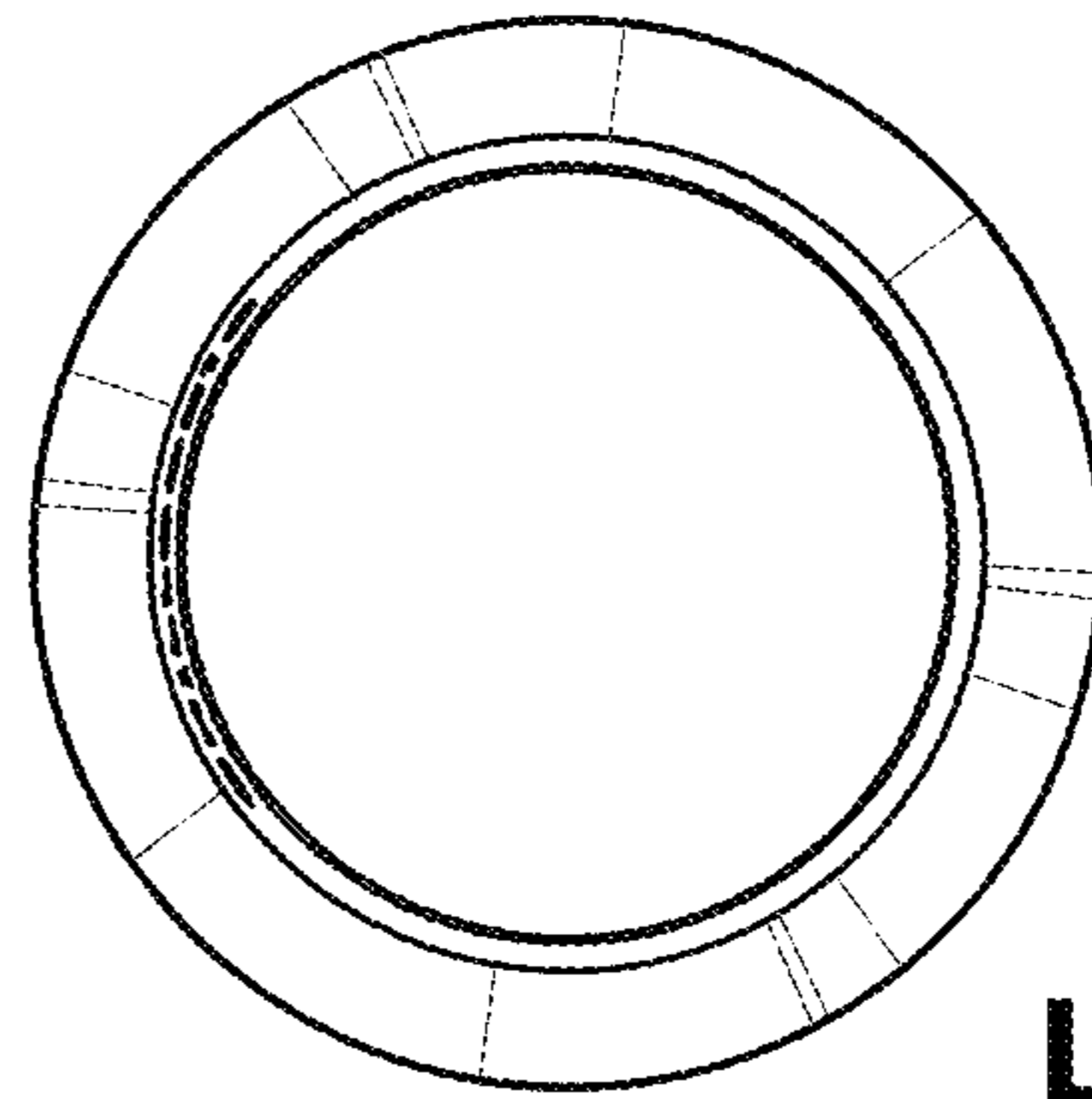


Fig. 5

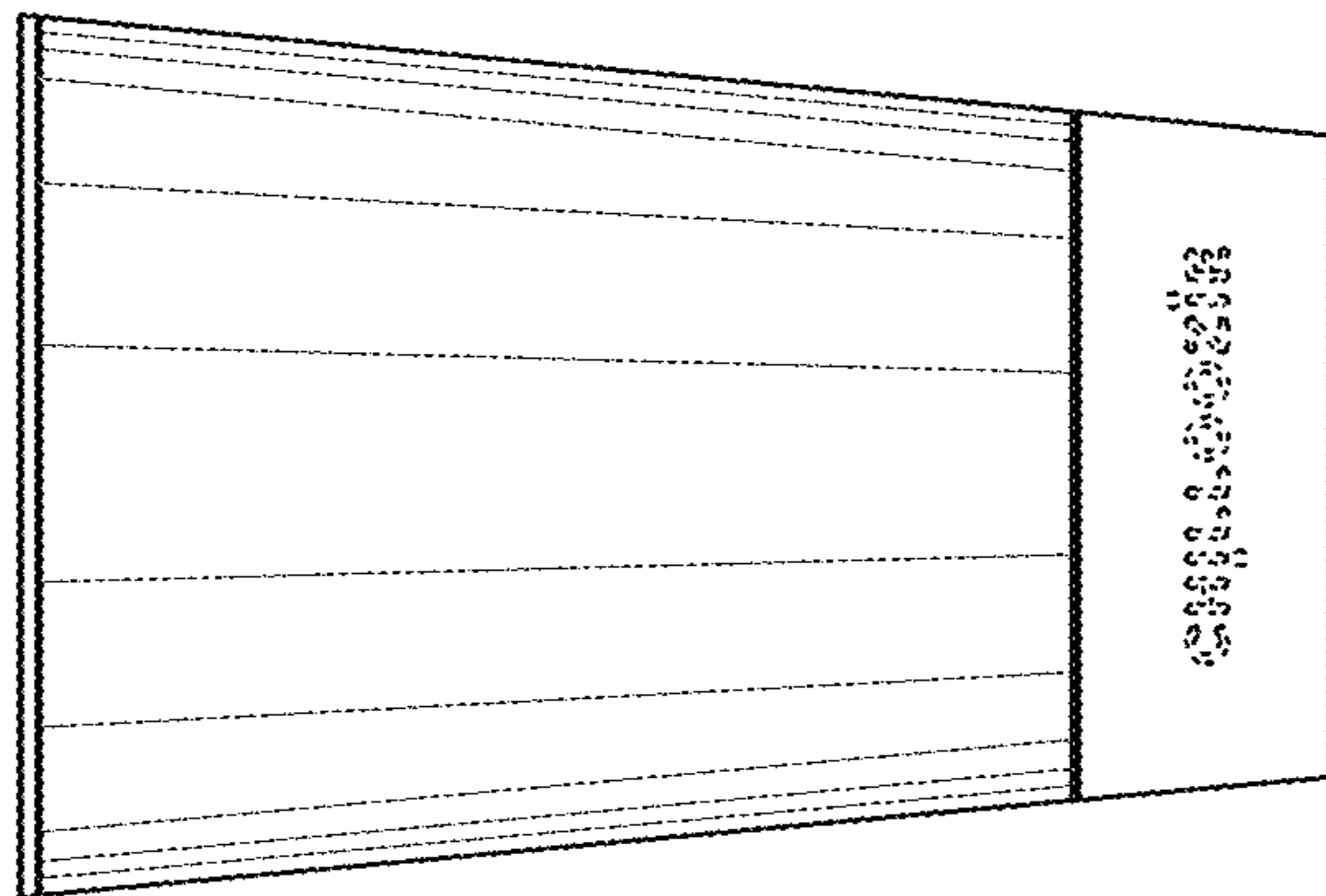


Fig. 3