



US00D789153S

(12) **United States Design Patent** (10) **Patent No.:** **US D789,153 S**  
**Bar** (45) **Date of Patent:** **\*\* Jun. 13, 2017**

(54) **SNUG FITTING CONTAINER WITH FINGER CHANNEL**

(71) Applicant: **Lucian Bar**, Vancouver (CA)

(72) Inventor: **Lucian Bar**, Vancouver (CA)

(\*\*) Term: **15 Years**

(21) Appl. No.: **29/548,313**

(22) Filed: **Dec. 11, 2015**

(51) **LOC (10) Cl.** ..... **07-07**

(52) **U.S. Cl.**  
USPC ..... **D7/601**

(58) **Field of Classification Search**

USPC ..... D7/601, 619.1, 624.2; D9/431-433

CPC ..... B65D 5/029; B65D 5/32; B65D 5/2014;

B65D 5/38; A47G 21/001; A47G 19/30

See application file for complete search history.

(56) **References Cited**

**U.S. PATENT DOCUMENTS**

2,145,481	A *	1/1939	Harvey	.....	A47G 21/001
					206/822
3,391,782	A *	7/1968	Kaspar	.....	A47G 21/001
					206/525
3,610,512	A *	10/1971	Hermalin	.....	A47G 21/001
					229/117
4,509,674	A *	4/1985	Levick	.....	A47G 19/30
					206/515
D282,338	S *	1/1986	Putt	.....	D7/504
4,936,479	A *	6/1990	Levy	.....	A47G 21/001
					206/525
5,518,169	A *	5/1996	Beales	.....	A47G 21/001
					229/107
D395,201	S *	6/1998	Cherney	.....	D7/504
D629,684	S *	12/2010	Drury	.....	D9/433
2003/0206997	A1 *	11/2003	Winkelman	.....	B65D 5/029
					426/107

**FOREIGN PATENT DOCUMENTS**

CN 103480442 A 1/2014

**OTHER PUBLICATIONS**

Canford. 'VHS Card Sleeve' [online]. [retrieved on Dec. 8, 2015]. Retrieved from the Internet: <URL: [http://www.canford.co.uk/Products/Archive/80-799\\_VHS-CARD-SLEEVE-pack-of-10](http://www.canford.co.uk/Products/Archive/80-799_VHS-CARD-SLEEVE-pack-of-10)>.

B&H. 'General Brand VHS Plastic Sleeve without Window, Pack of 10 (white)'. [online]. [retrieved on Dec. 8, 2015]. Retrieved from the Internet: <URL: [https://www.bhphotovideo.com/c/product/536807-REG/General\\_Brand\\_VHS\\_Plastic\\_Sleeve\\_without.html](https://www.bhphotovideo.com/c/product/536807-REG/General_Brand_VHS_Plastic_Sleeve_without.html)>.

(Continued)

*Primary Examiner* — Terry Wallace

(74) *Attorney, Agent, or Firm* — Mark A Hopkinson; Hopkinson Intellectual Property Law

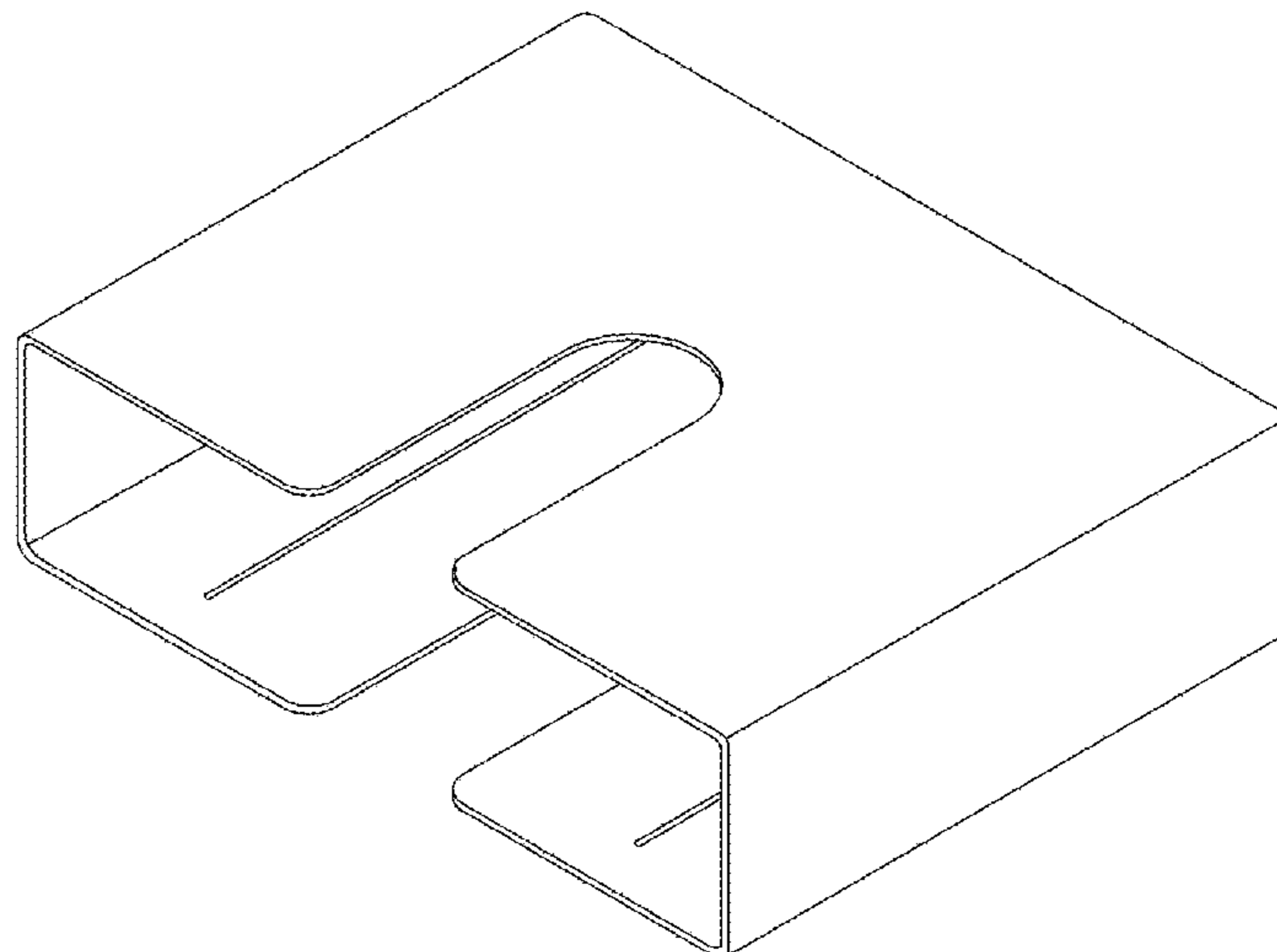
(57) **CLAIM**

The ornamental design for a snug fitting container with finger channel, as shown and described.

**DESCRIPTION**

FIG. 1 is an isometric perspective view of a first embodiment of the design;  
FIG. 2 is a front view of the first embodiment;  
FIG. 3 is a left side view of the first embodiment;  
FIG. 4 is a right side view of the first embodiment;  
FIG. 5 is a top view of the first embodiment, the bottom view being a mirror image thereof;  
FIG. 6 is a rear view of the first embodiment;  
FIG. 7 an isometric perspective view of a second embodiment of the design;  
FIG. 8 is a front view of the second embodiment;  
FIG. 9 is a rear view of the second embodiment;  
FIG. 10 is a top view of the second embodiment, the bottom view being a mirror image thereof; and,  
FIG. 11 is a right side view of the second embodiment, the left side view being mirror image thereof.

**1 Claim, 5 Drawing Sheets**



(56)

**References Cited**

## OTHER PUBLICATIONS

The Container Store. 'Glass Sugar Plastic Holder'. [online]. [retrieved on Dec. 8, 2015]. Retrieved from the internet: <URL: [http://www.containerstore.com/s/kitchen/food-storage/condiments/glass-sugar-packet-holder/123d? productId=10019622](http://www.containerstore.com/s/kitchen/food-storage/condiments/glass-sugar-packet-holder/123d?productId=10019622)>.

Ali Express. 'A4 Acrylic slot paper insert box/file box/plug box/products/A5 acrylic menu photo box'. [online]. [retrieved on Dec. 8, 2015]. Retrieved from the Internet: <URL: [http://www.aliexpress.com/item-img/Free-shipping-A4-Acrylic-slot-paper-insert-box-file...>](http://www.aliexpress.com/item-img/Free-shipping-A4-Acrylic-slot-paper-insert-box-file...).

PC Connection. 'Lenovo Flex 3 14 Slot in Sleeve, Black (GX40H55184)'. [online]. [retrieved on Dec. 8, 2015]. Retrieved from the Internet: <URL: <http://www.pcconnection.com/product/lenovo-flex-3-14-slot-in-sleeve-black/gx40h5518>>.

Webstaurant Store. 'Cal-Mil 2045 Classic Cup / Lid Organizer with Hot Cup Sleeve Dispenser Slot—9 1/4"'. [online]. [retrieved on Dec. 8, 2015]. Retrieved from the Internet: <URL: [http://www.webstaurantstore.com/cal-mil-2045-classic-cup-lid-organizer-with-hot-cup-s...>](http://www.webstaurantstore.com/cal-mil-2045-classic-cup-lid-organizer-with-hot-cup-s...).

Learning with Mrs. Langley. 'Teacher Week 13. Organization'. [online]. [retrieved on Dec. 8, 2015]. Retrieved from the Internet: <URL: <http://learningwithmrslangley.blogspot.ca/2013/07/teacher-week-13-organization.html>>.

Practical Sailor. 'Design for: Box for Binoculars'. [online]. [retrieved on Dec. 8, 2015]. Retrieved from the Internet: <URL: <http://www.practical-sailor.com/news/Building-Binocular-Case-10441-1.html>>.

\* cited by examiner

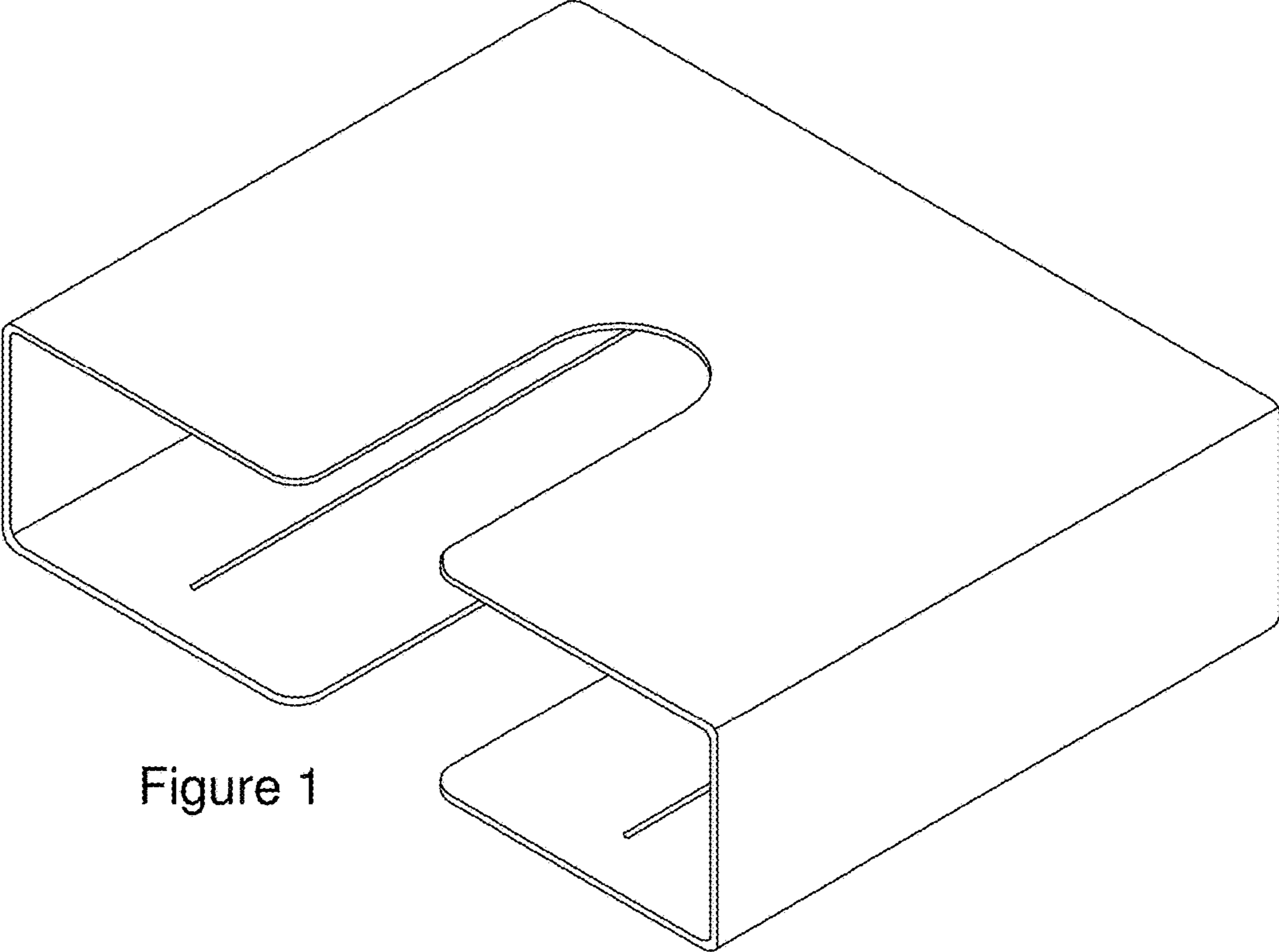


Figure 1



Figure 2

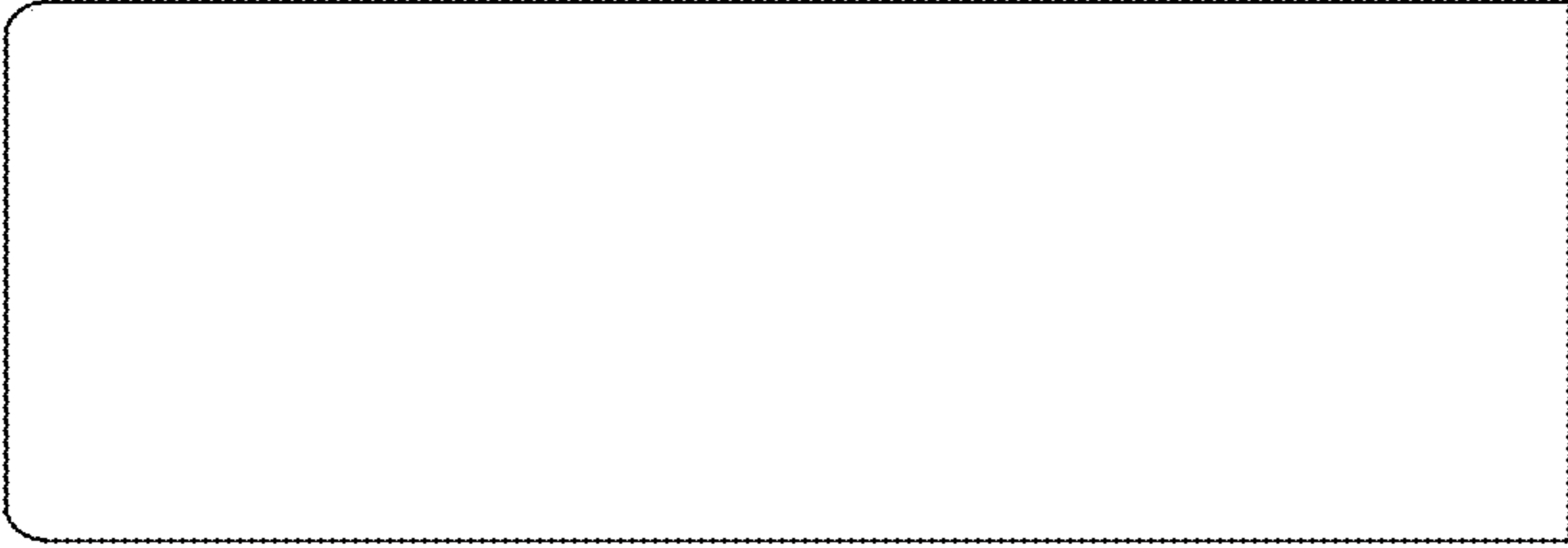


Figure 3

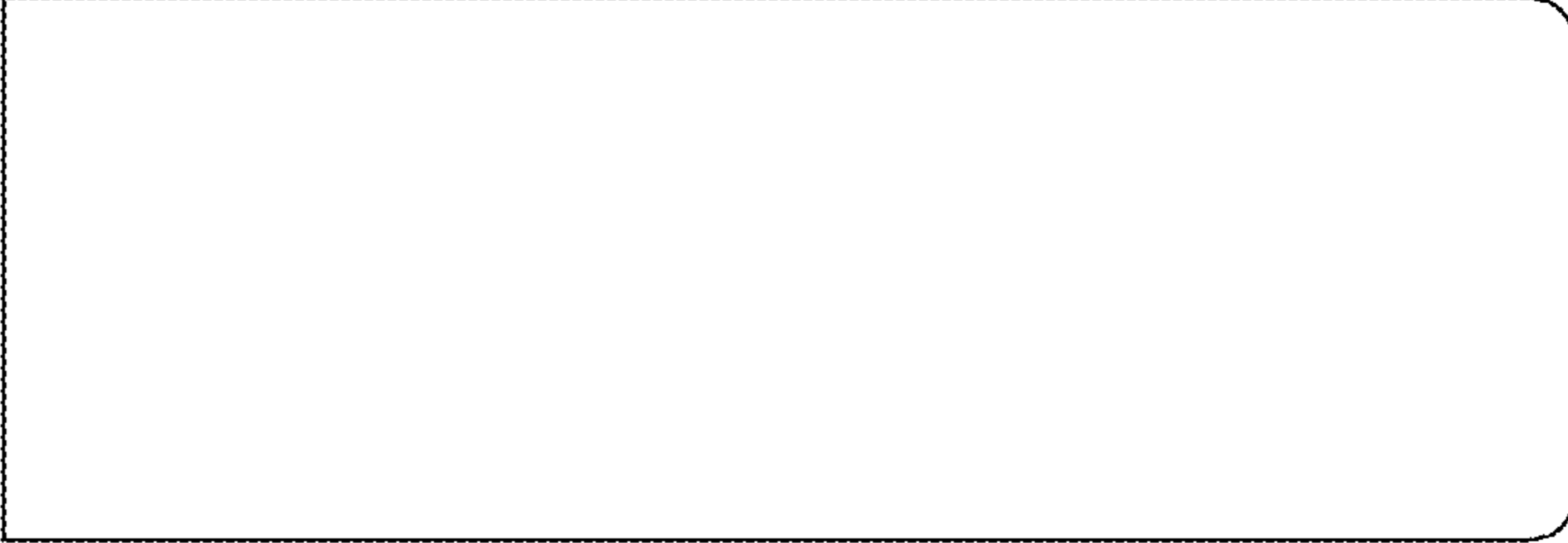


Figure 4

Figure 5

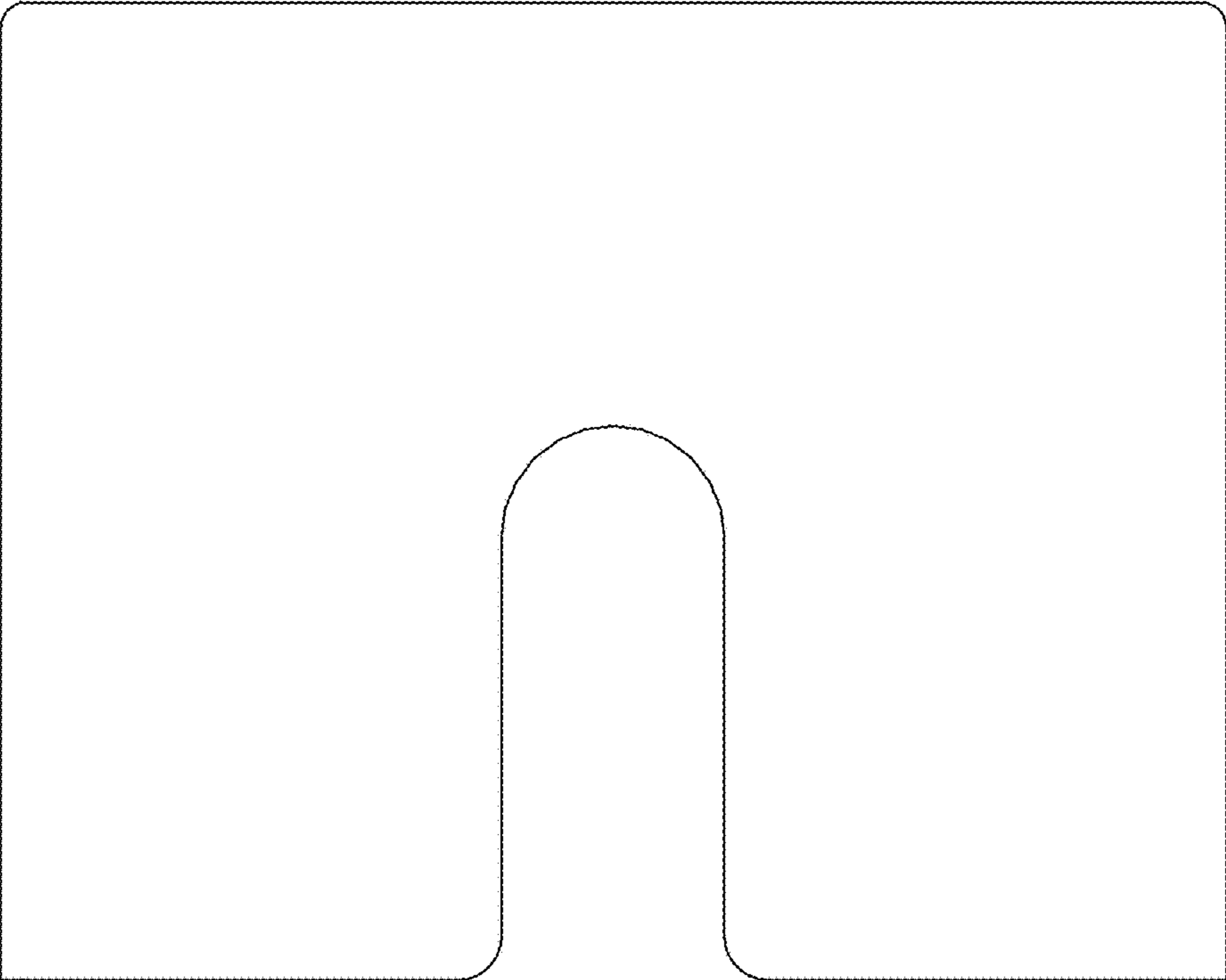




Figure 6

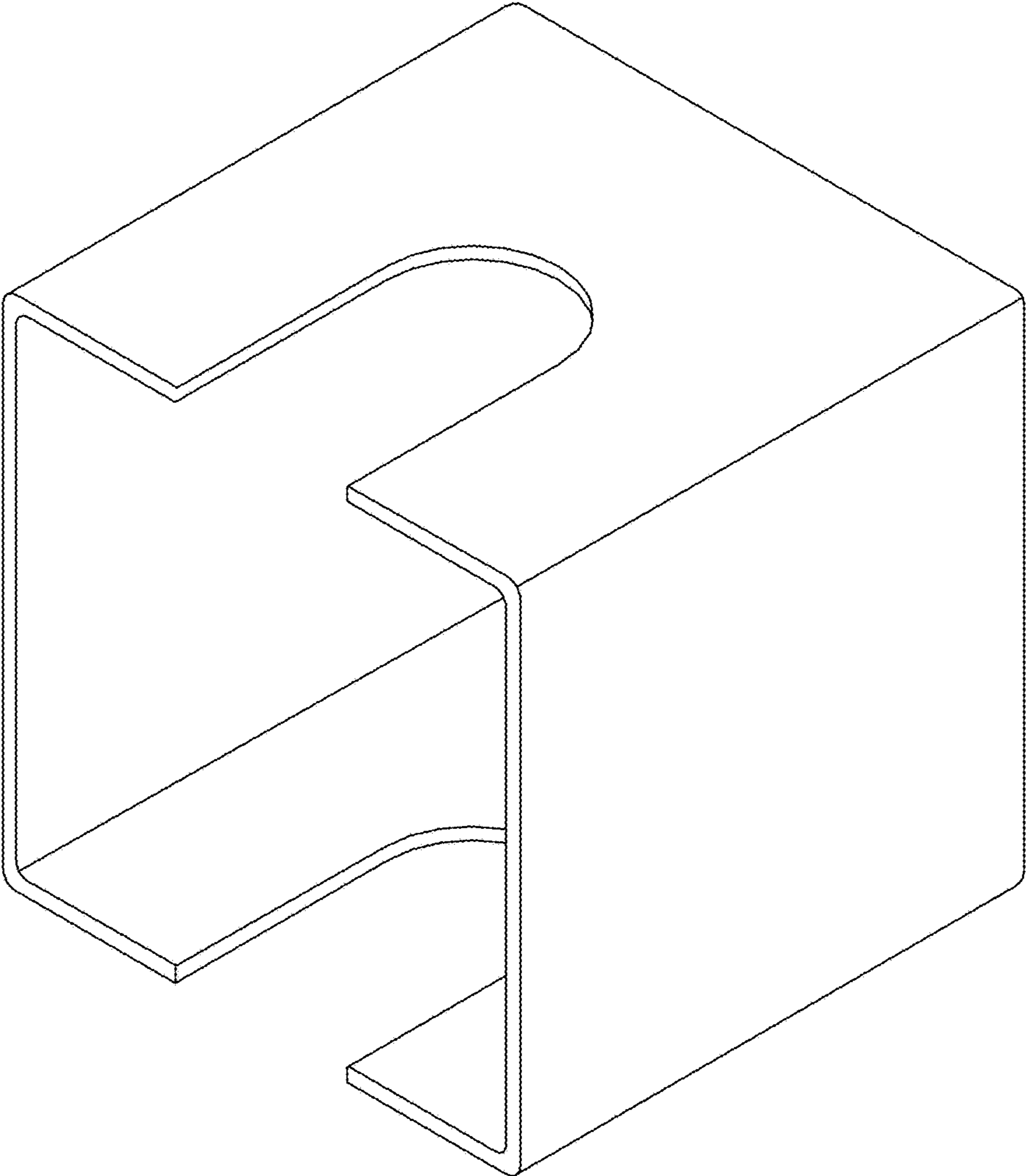


Figure 7

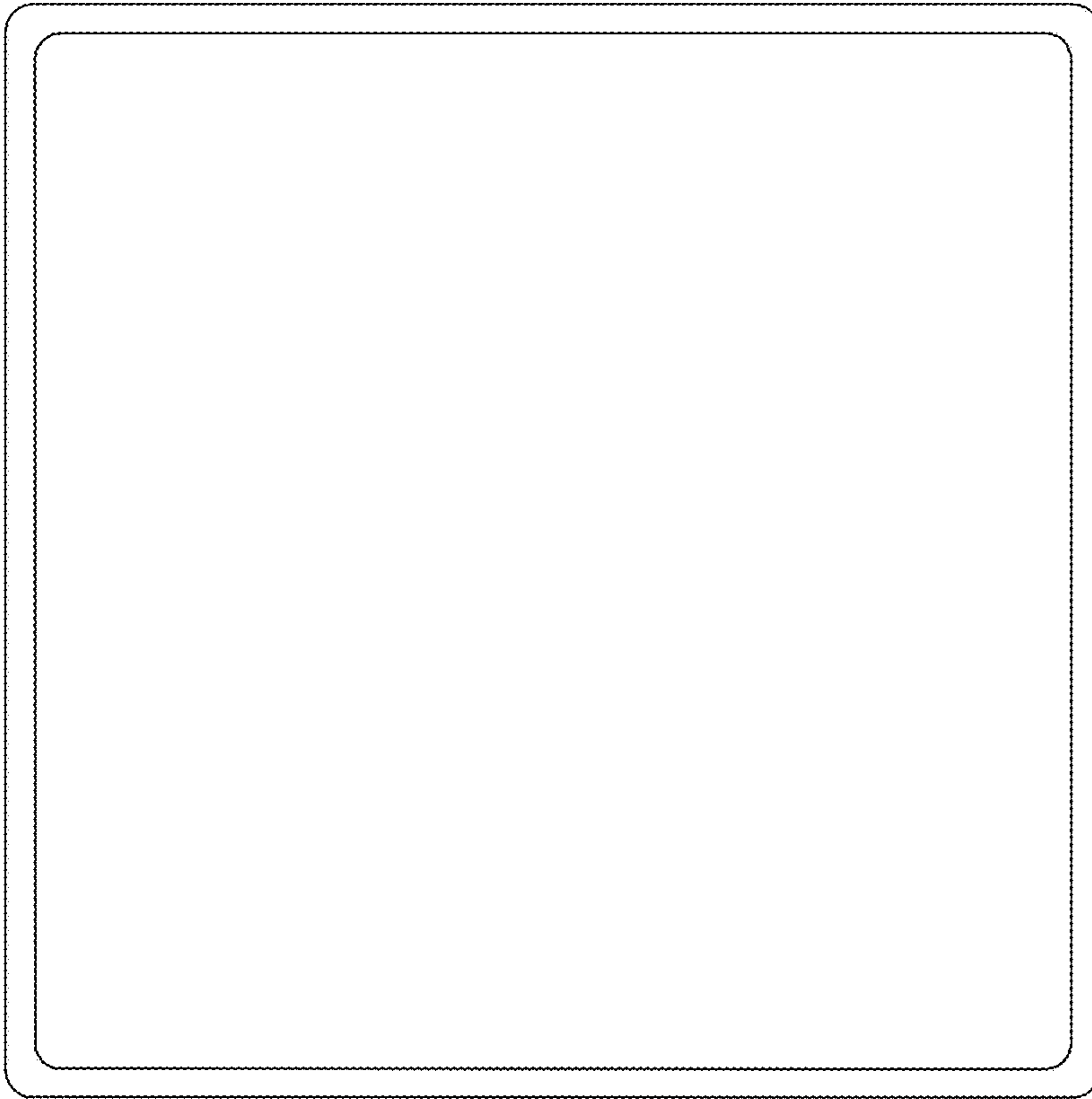


Figure 8

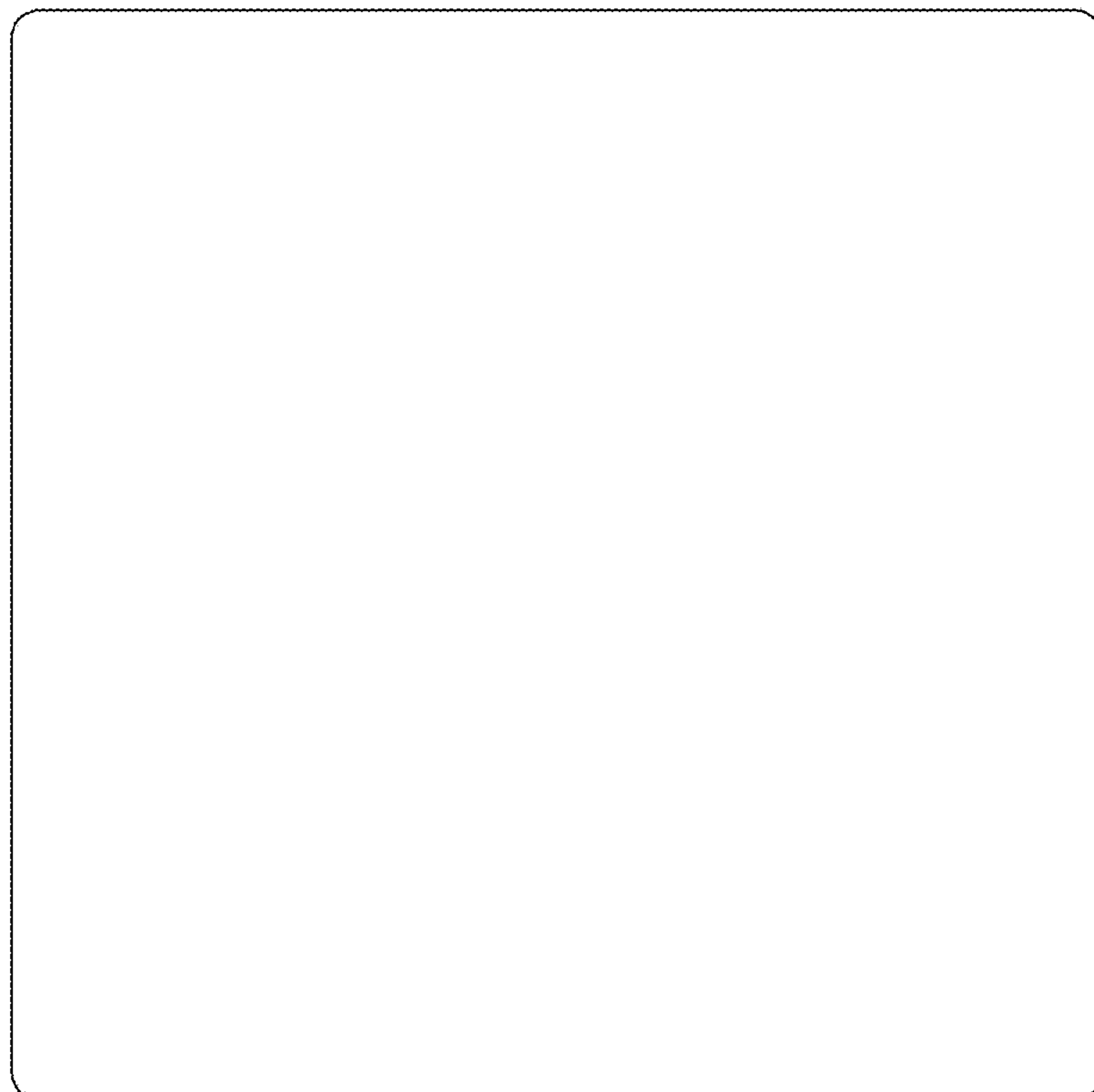


Figure 9

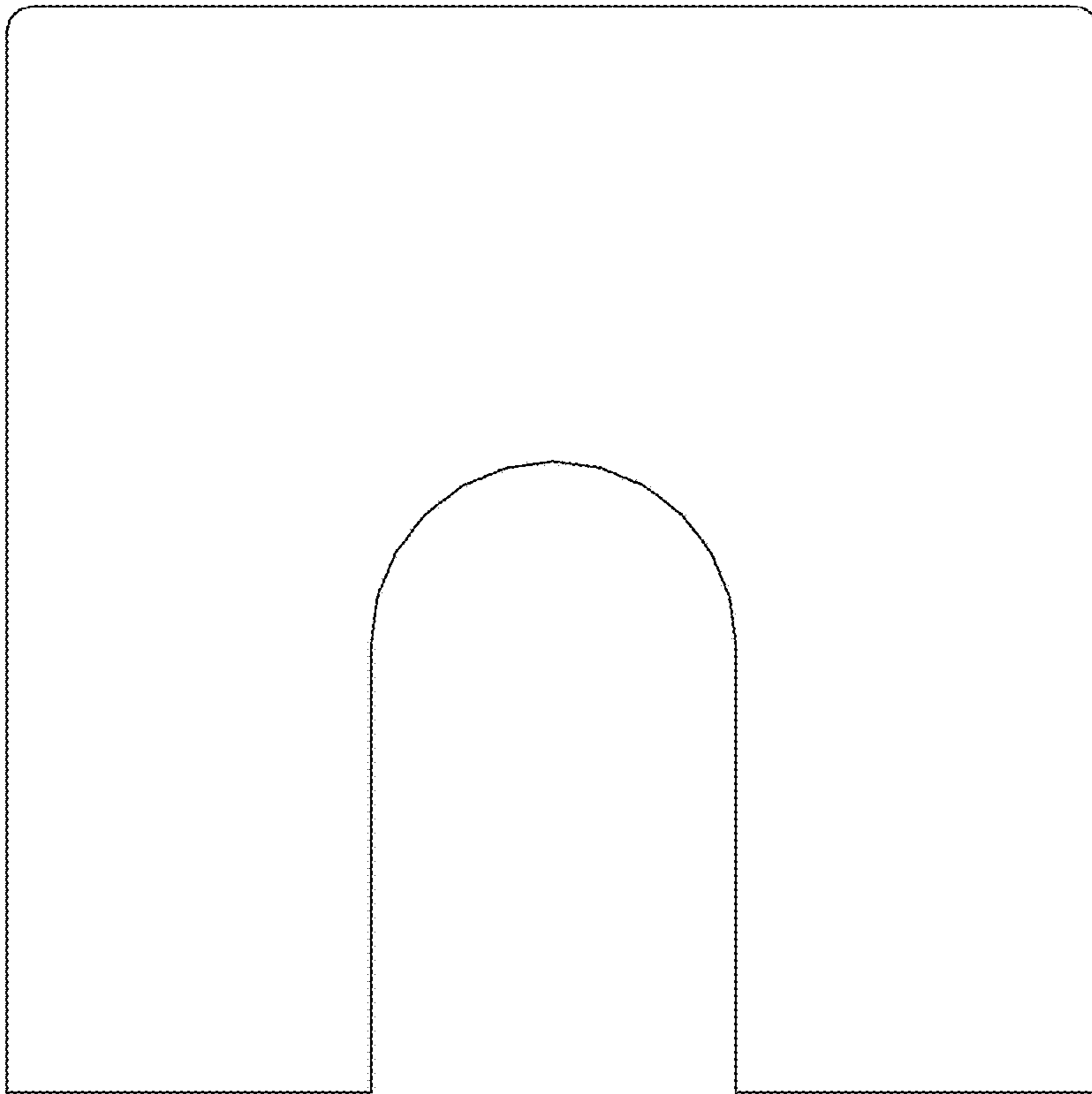


Figure 10



Figure 11