



US00D789152S

(12) **United States Design Patent** (10) **Patent No.:** **US D789,152 S**  
**Wall** (45) **Date of Patent:** **\*\* Jun. 13, 2017**

(54) **STAINLESS STEEL DIP BOWL**  
(71) Applicant: **Marty Guy Wall**, Greenbrier, TN (US)  
(72) Inventor: **Marty Guy Wall**, Greenbrier, TN (US)  
(\*\*) Term: **15 Years**  
(21) Appl. No.: **29/568,915**  
(22) Filed: **Jun. 22, 2016**  
(51) **LOC (10) Cl.** ..... **07-01**  
(52) **U.S. Cl.**  
USPC ..... **D7/584; D7/538**  
(58) **Field of Classification Search**  
USPC ..... D7/584, 500, 570, 566, 565, 557, 552.2,  
D7/503, 538, 543, 553.6, 523, 509;  
D3/306; 217/122; 147/18; 220/23.83,  
220/574.1, 574  
CPC ..... A47G 19/02; A47G 19/025  
See application file for complete search history.

D635,399 S \* 4/2011 DelVecchio ..... D7/509  
D643,317 S \* 8/2011 Clear ..... D10/46.3  
D669,313 S \* 10/2012 Paladino ..... D7/602  
D699,078 S \* 2/2014 Katterheinrich ..... D7/587  
D724,897 S \* 3/2015 Gieske ..... D7/523  
D738,159 S \* 9/2015 Cheng ..... D7/354  
D739,295 S \* 9/2015 Thuma ..... D11/152  
D742,697 S \* 11/2015 Switz ..... D7/557  
D749,365 S \* 2/2016 Hume ..... D7/509  
D750,436 S \* 3/2016 Hopkins ..... D7/523  
D761,061 S \* 7/2016 McConnell ..... D7/587  
D765,471 S \* 9/2016 Gorbald ..... D7/509  
9,474,397 B2 \* 10/2016 Minnette ..... A47G 19/02  
D770,231 S \* 11/2016 Hume ..... D7/523  
D770,233 S \* 11/2016 Raphael ..... D7/584

(Continued)

*Primary Examiner* — Cynthia Underwood  
(74) *Attorney, Agent, or Firm* — Dunlap Bennett & Ludwig PLLC

(57) **CLAIM**

The ornamental design for a stainless steel dip bowl, as shown and described.

(56) **References Cited**

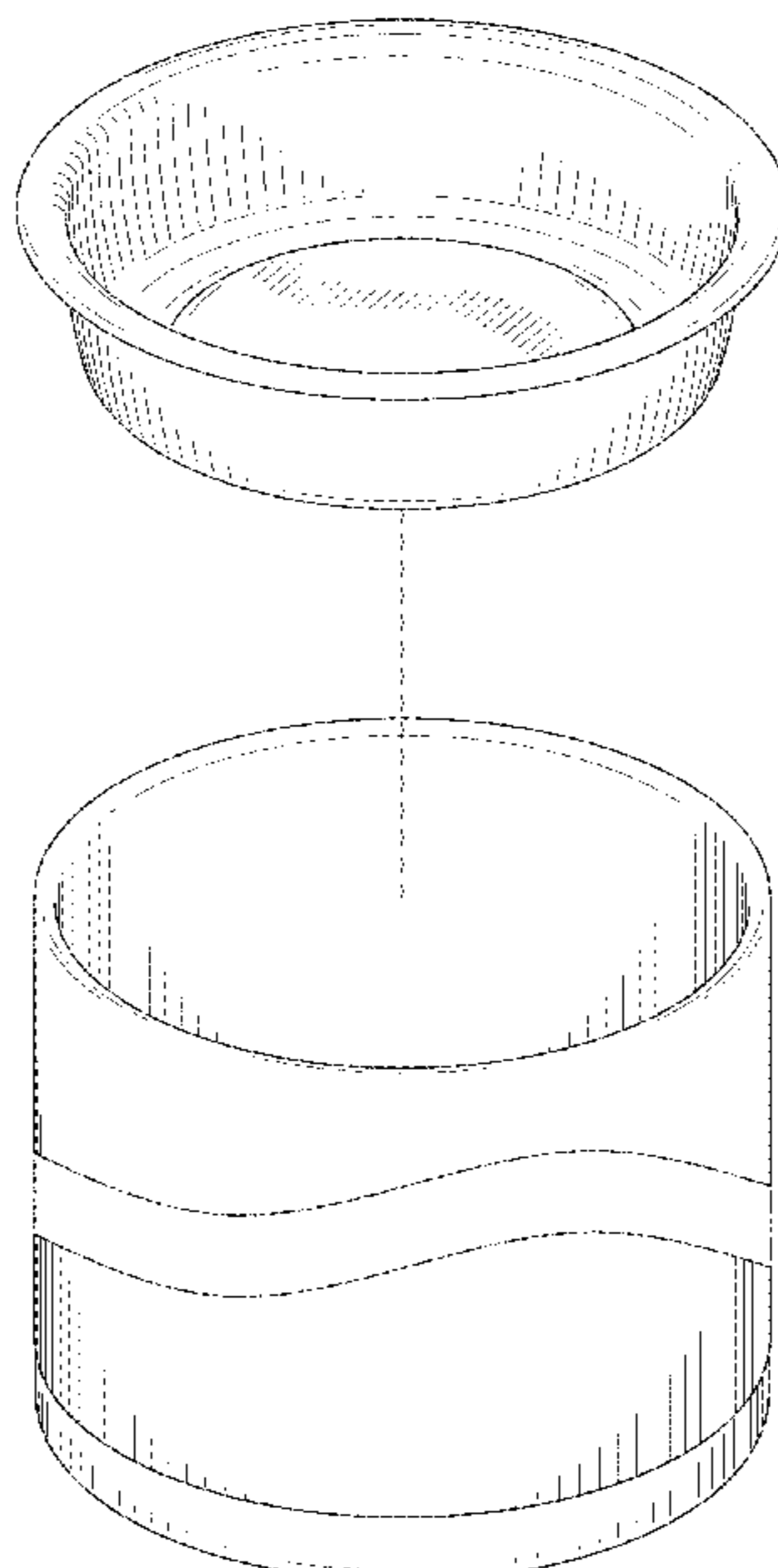
U.S. PATENT DOCUMENTS

D213,491 S \* 3/1969 Beeman ..... 220/DIG. 13  
D213,492 S \* 3/1969 Beeman ..... 220/DIG. 13  
D221,169 S \* 7/1971 Benes ..... D7/584  
4,622,948 A \* 11/1986 Oh ..... A47J 27/004  
126/246  
5,172,826 A \* 12/1992 Celaya ..... A47G 19/02  
220/574  
D355,735 S \* 2/1995 Shaffer ..... D32/53  
5,501,038 A \* 3/1996 Gregoranto ..... A01G 9/124  
47/47  
D371,938 S \* 7/1996 Davis ..... D7/354  
D485,126 S \* 1/2004 Watson ..... D7/584  
D511,437 S \* 11/2005 Brown ..... D7/566  
D543,787 S \* 6/2007 Wasserman ..... D7/565  
D549,040 S \* 8/2007 Henry ..... D7/354  
D599,169 S \* 9/2009 Stalions ..... D7/510

**DESCRIPTION**

FIG. 1 is a perspective view of the stainless steel dip bowl; FIG. 2 is a front view of the stainless steel dip bowl; the left side, right side and rear being a mirror image thereof; FIG. 3 is a bottom view thereof; FIG. 4 is a top view thereof; FIG. 5 is an exploded view thereof, the broken lines indicating the direction of movement and forming no part of the claim; and, FIG. 6 is a section view of the stainless steel dip bowl taken along line 6-6 of FIG. 4. The stainless steel dip bowl is shown with a symbolic break in its length. The appearance of any portion of the article between the break lines forms no part of the claimed design.

**1 Claim, 5 Drawing Sheets**



(56)

**References Cited**

U.S. PATENT DOCUMENTS

2014/0025508 A1\* 1/2014 Bartosch ..... B65D 25/04  
705/14.69

\* cited by examiner

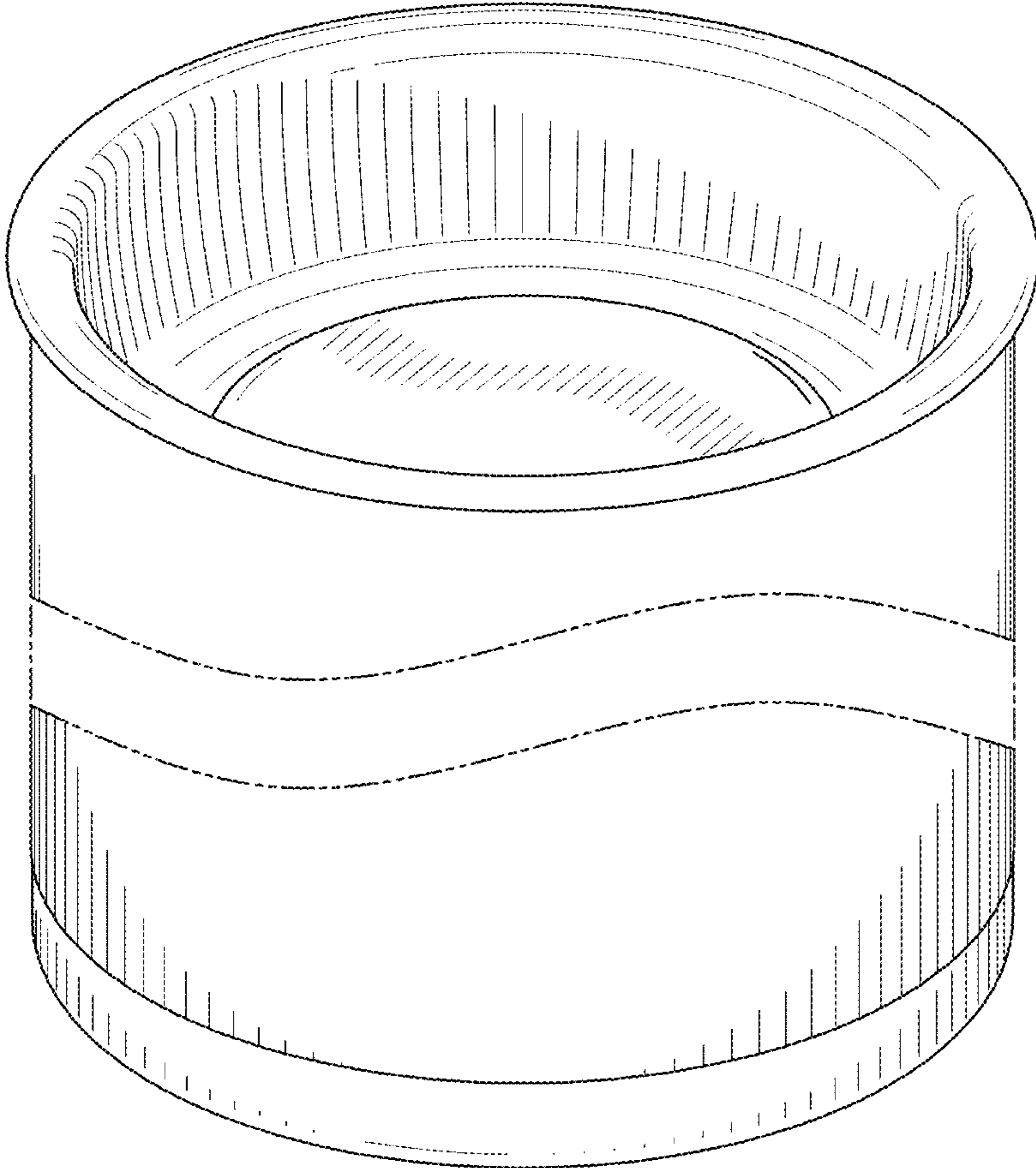


FIG.1

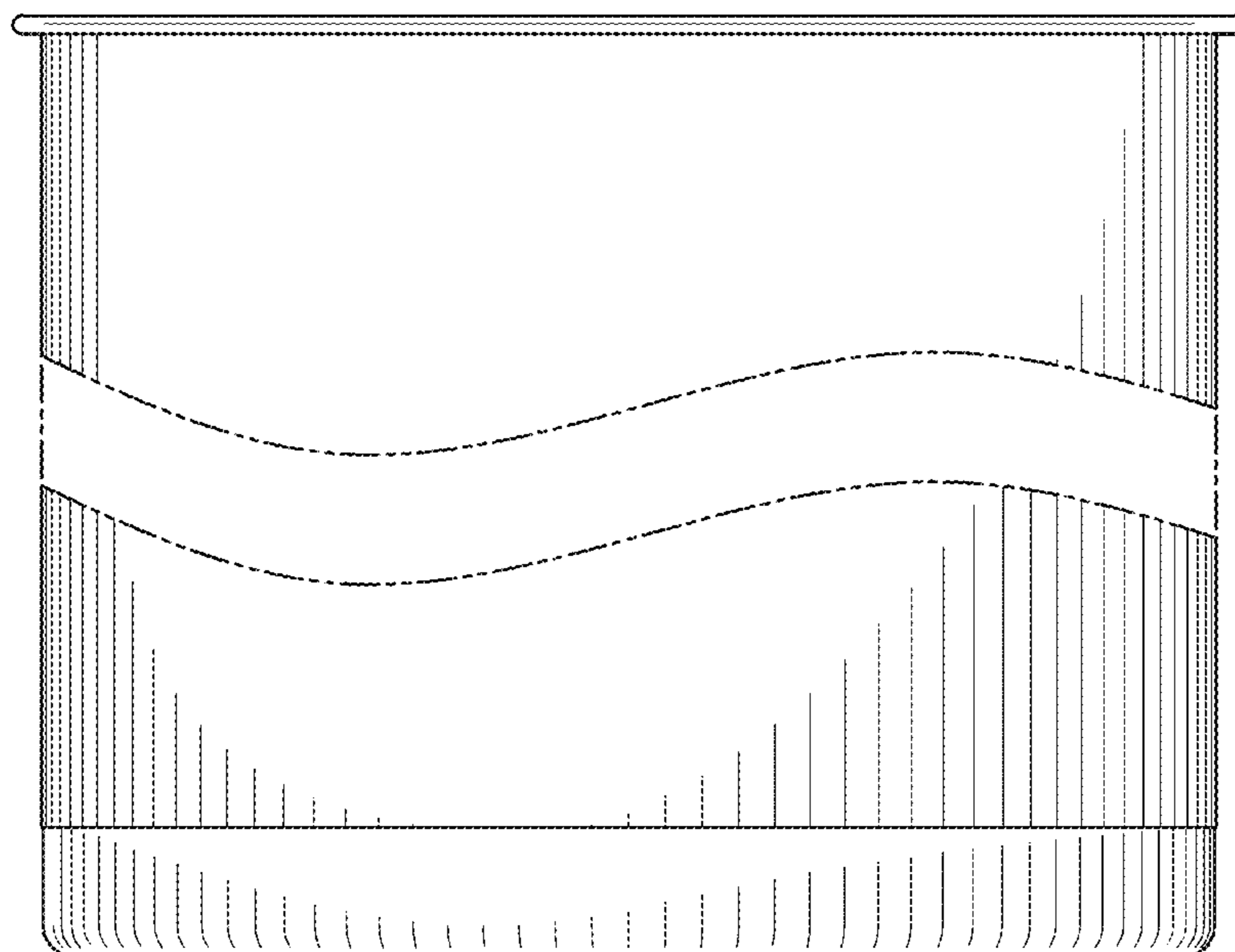


FIG. 2

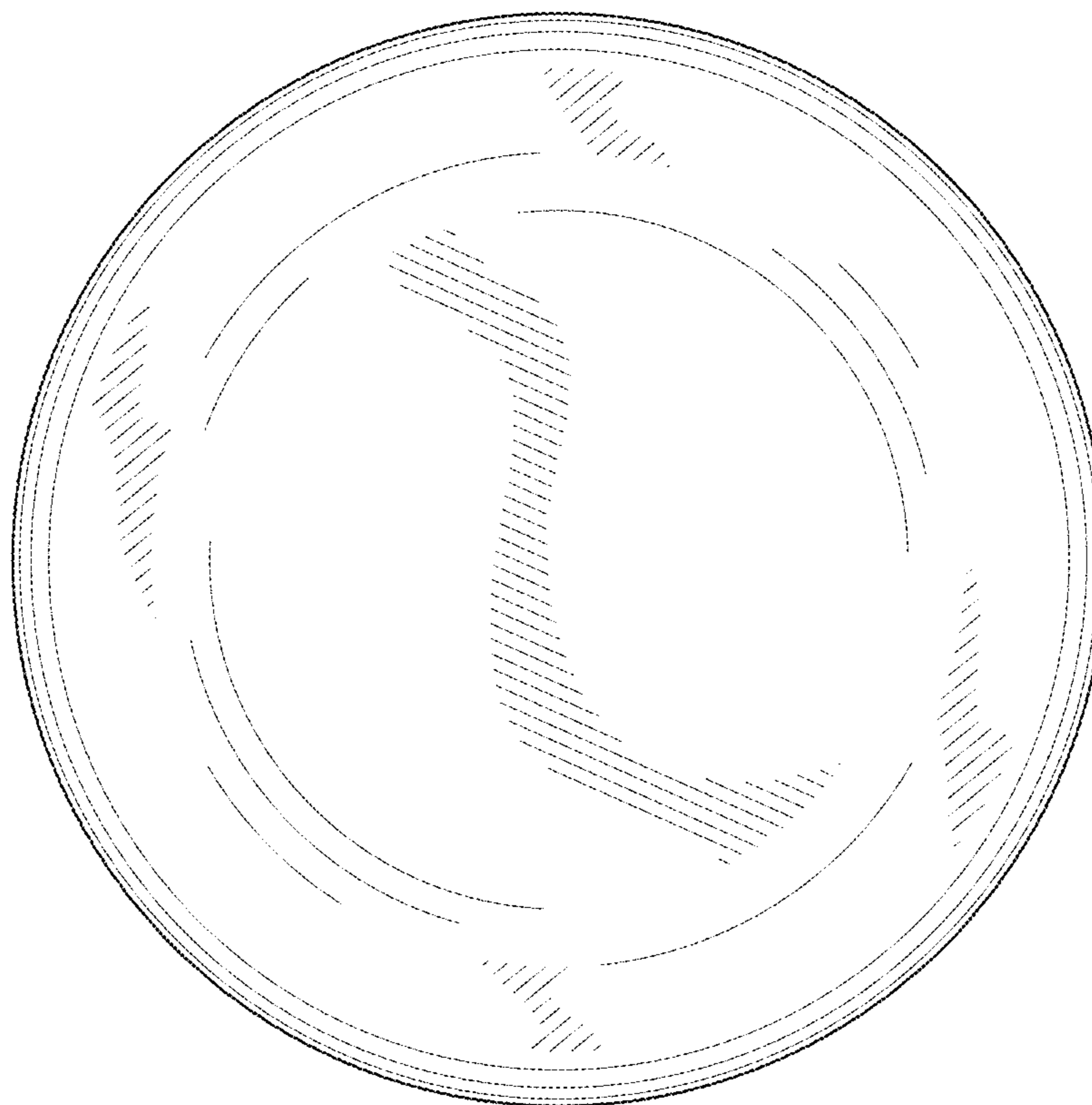


FIG. 3

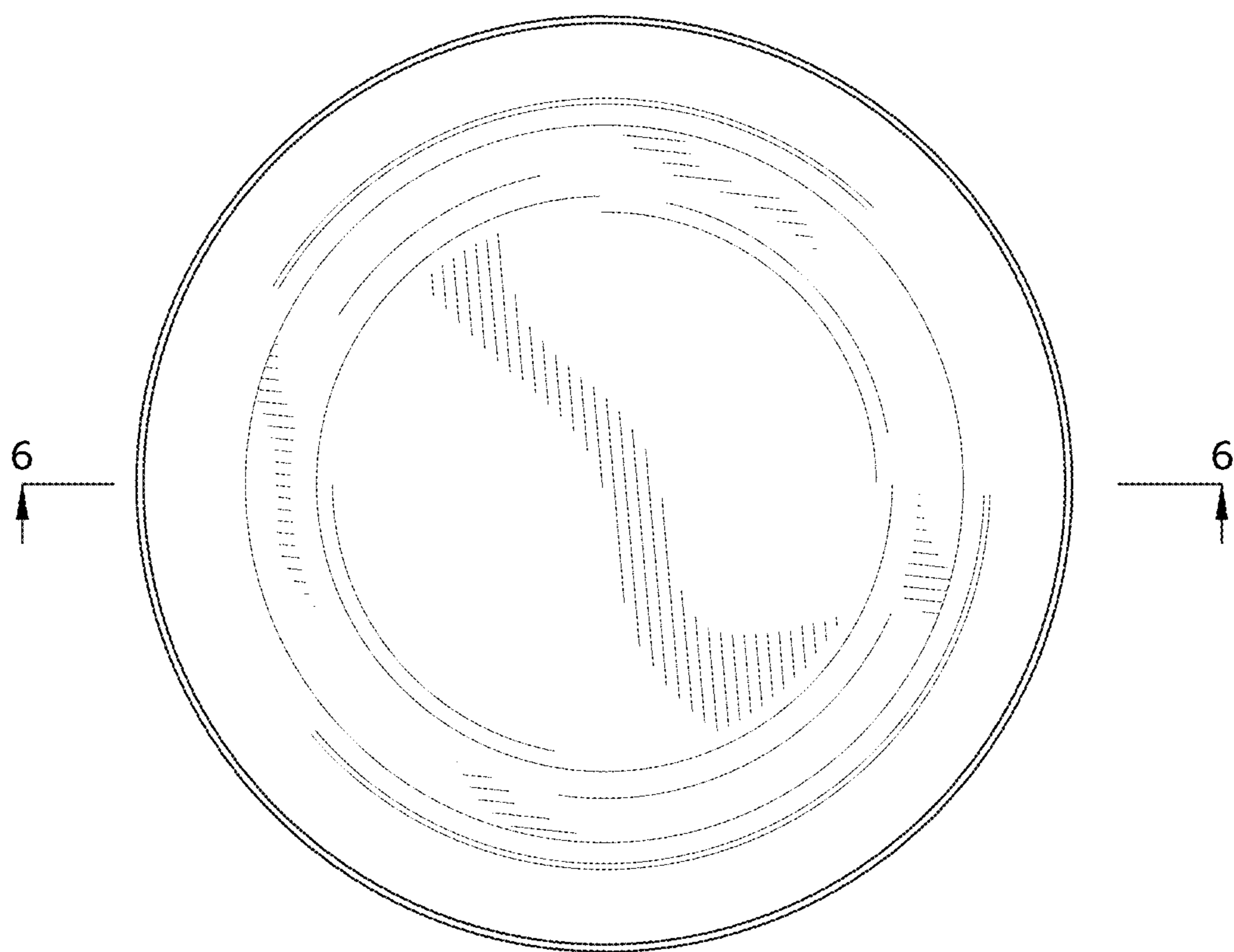


FIG. 4

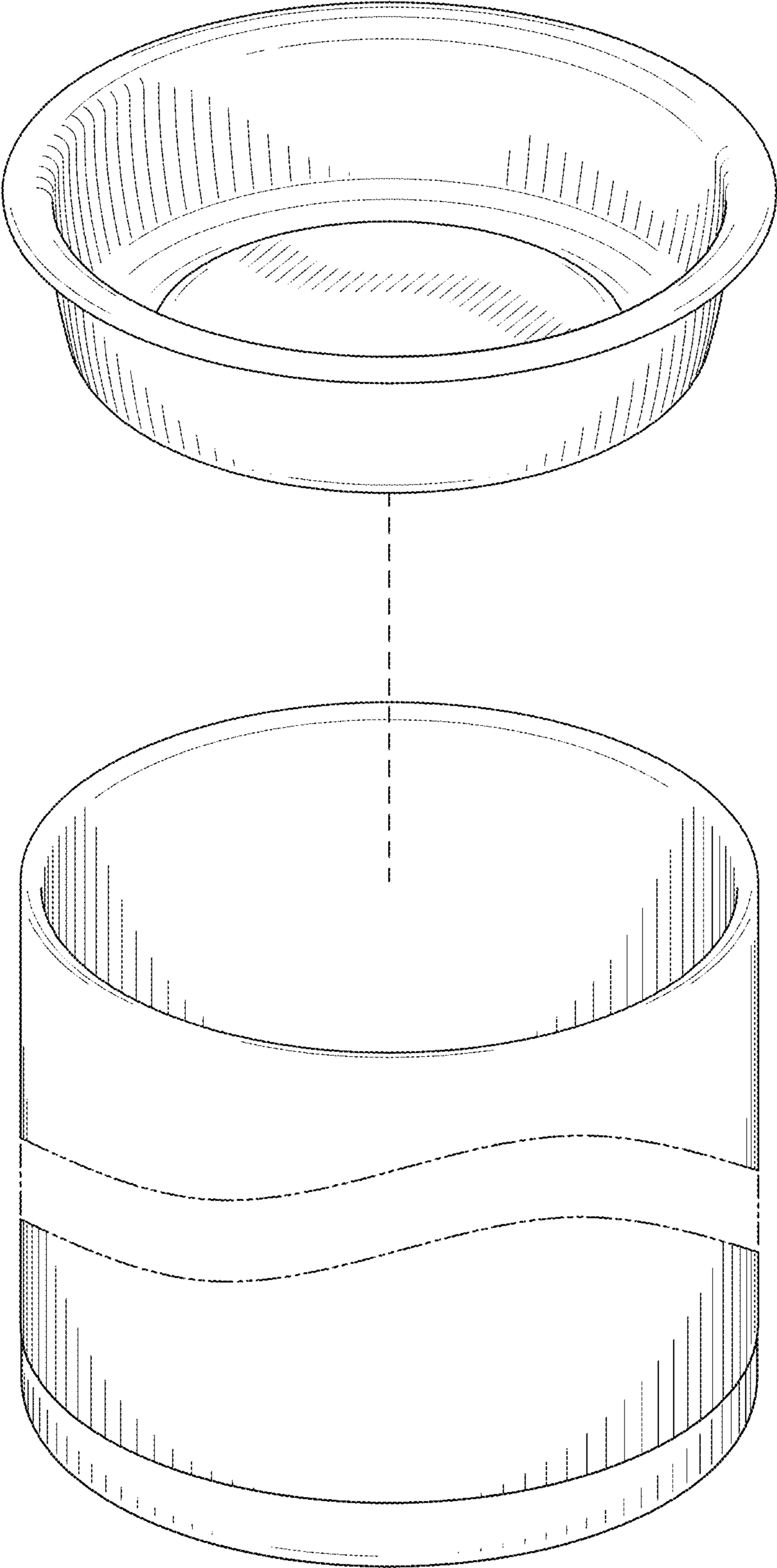


FIG.5

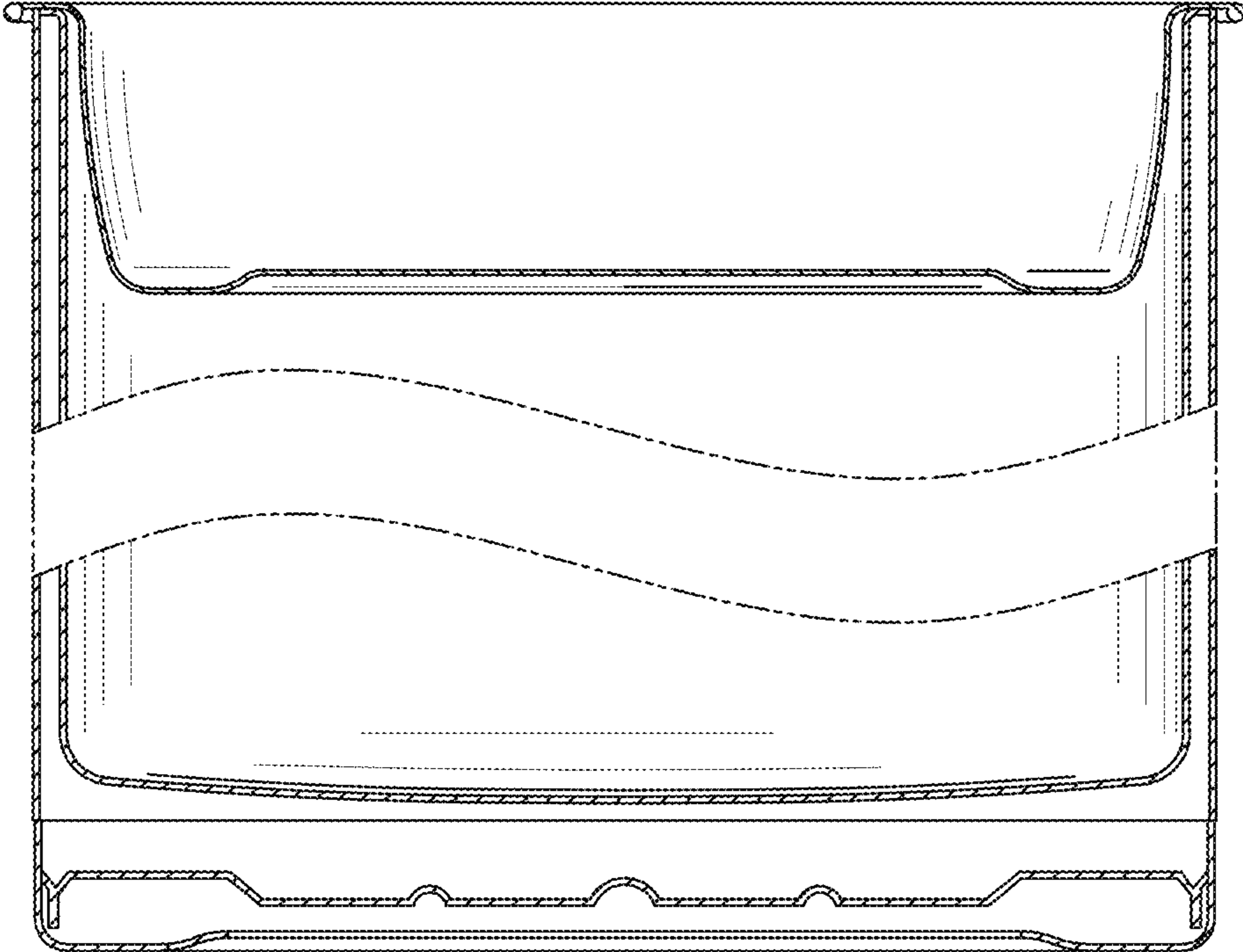


FIG.6