



US00D789150S

(12) **United States Design Patent** (10) **Patent No.:** **US D789,150 S**  
**Heiberger** (45) **Date of Patent:** **\*\* Jun. 13, 2017**

(54) **SPORTS BOTTLE**  
(71) Applicant: **Product Architects, Inc.**, Boulder, CO (US)  
(72) Inventor: **Robert Heiberger**, Boulder, CO (US)  
(73) Assignee: **Product Architects, Inc.**, Boulder, CO (US)

D758,792 S \* 6/2016 Karussi ..... D7/392.1  
D761,059 S \* 7/2016 Fitchko ..... D7/316  
2009/0101620 A1\* 4/2009 O'Brien ..... B65D 51/1677  
215/270  
2013/0119060 A1\* 5/2013 Chiou ..... A47G 19/2272  
220/254.3  
2016/0198877 A1\* 7/2016 Ni ..... A47G 19/2227  
455/575.1

(\*\*) Term: **15 Years**  
(21) Appl. No.: **29/558,324**  
(22) Filed: **Mar. 16, 2016**  
(51) **LOC (10) Cl.** ..... **07-01**  
(52) **U.S. Cl.**  
USPC ..... **D7/511**  
(58) **Field of Classification Search**  
USPC ..... D07/510, 511, 523, 529, 532, 533-536,  
D07/608, 300.1, 591, 392.1, 396.2;  
D09/503, 504, 516-575  
CPC ..... A47G 19/22; A47G 19/2205; A47G  
19/2266; A47G 19/2272; A45F 3/16  
See application file for complete search history.

**OTHER PUBLICATIONS**

Polar Bottle Ergo Insulated Water Bottles[online], [site visited Oct. 12, 2016]. Available from Internet, <URL:https://shop.polarbottle.com/polar-bottle-shop/category/ergo/>.\*  
Polar Bottle Ergo Insulated Water Bottles[online], [site visited Oct. 12, 2016]. Available from Internet, <URL:https://www.amazon.com/Polar-Bottle-Ergo-Insulated-Water/dp/B015EUDM64/ref=sr\_1\_2?ie=UTF8&qid=1476314237&sr=8-2 &keywords=Polar+Bottle+Ergo+Insulated+Water+Bottles>.\*

\* cited by examiner

*Primary Examiner* — Cynthia Ramirez  
*Assistant Examiner* — Andrew Kerr  
(74) *Attorney, Agent, or Firm* — Holland & Hart LLP

(56) **References Cited**

**U.S. PATENT DOCUMENTS**

D474,367 S \* 5/2003 Turchi ..... D7/316  
D499,608 S \* 12/2004 Cintron ..... D7/510  
D611,765 S \* 3/2010 George ..... D7/510  
D625,146 S \* 10/2010 George ..... D7/392  
D639,113 S \* 6/2011 Hayes ..... D7/509  
D647,753 S \* 11/2011 Lin ..... D7/392.1  
D651,044 S \* 12/2011 Gilbert ..... D7/510  
D653,493 S \* 2/2012 Enghard ..... D7/300.1  
8,210,375 B2\* 7/2012 Heiberger ..... B65B 7/2835  
215/252  
D676,278 S \* 2/2013 Wong ..... D7/510  
8,584,877 B2\* 11/2013 Heiberger ..... B65D 47/06  
215/252  
D704,001 S \* 5/2014 Lane ..... D7/509  
D721,249 S \* 1/2015 Kienle ..... D7/510  
D726,476 S \* 4/2015 Ercanbrack ..... D7/300.1

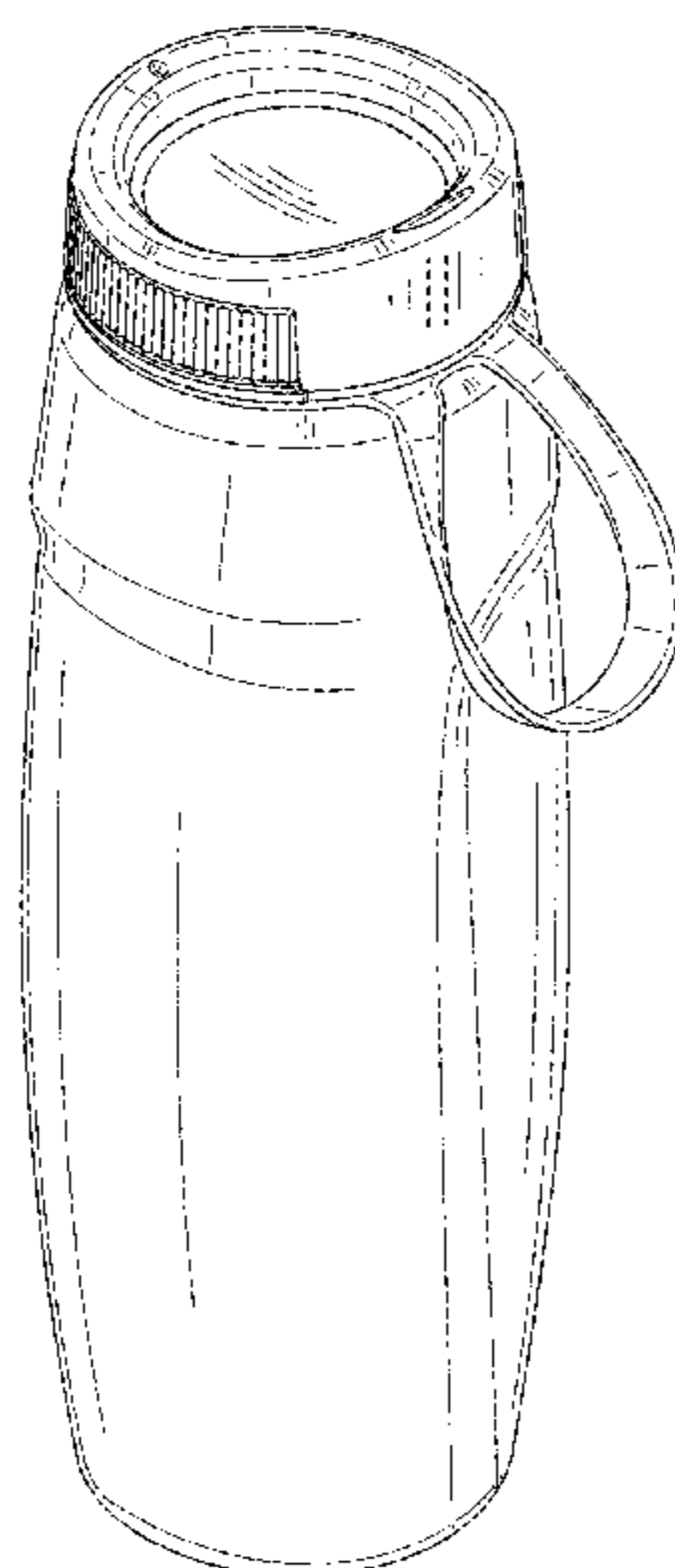
(57) **CLAIM**

The ornamental design for a sports bottle, as shown and described.

**DESCRIPTION**

FIG. 1 is a top, front, right perspective view of the sports bottle, showing my new design;  
FIG. 2 is a front elevation view thereof;  
FIG. 3 is a rear elevation view thereof;  
FIG. 4 is a right side elevation view thereof;  
FIG. 5 is a left side elevation view thereof;  
FIG. 6 is a top plan view thereof; and,  
FIG. 7 is a bottom plan view thereof.  
The broken lines illustrate environmental structure, and form no part of the claimed design.

**1 Claim, 6 Drawing Sheets**



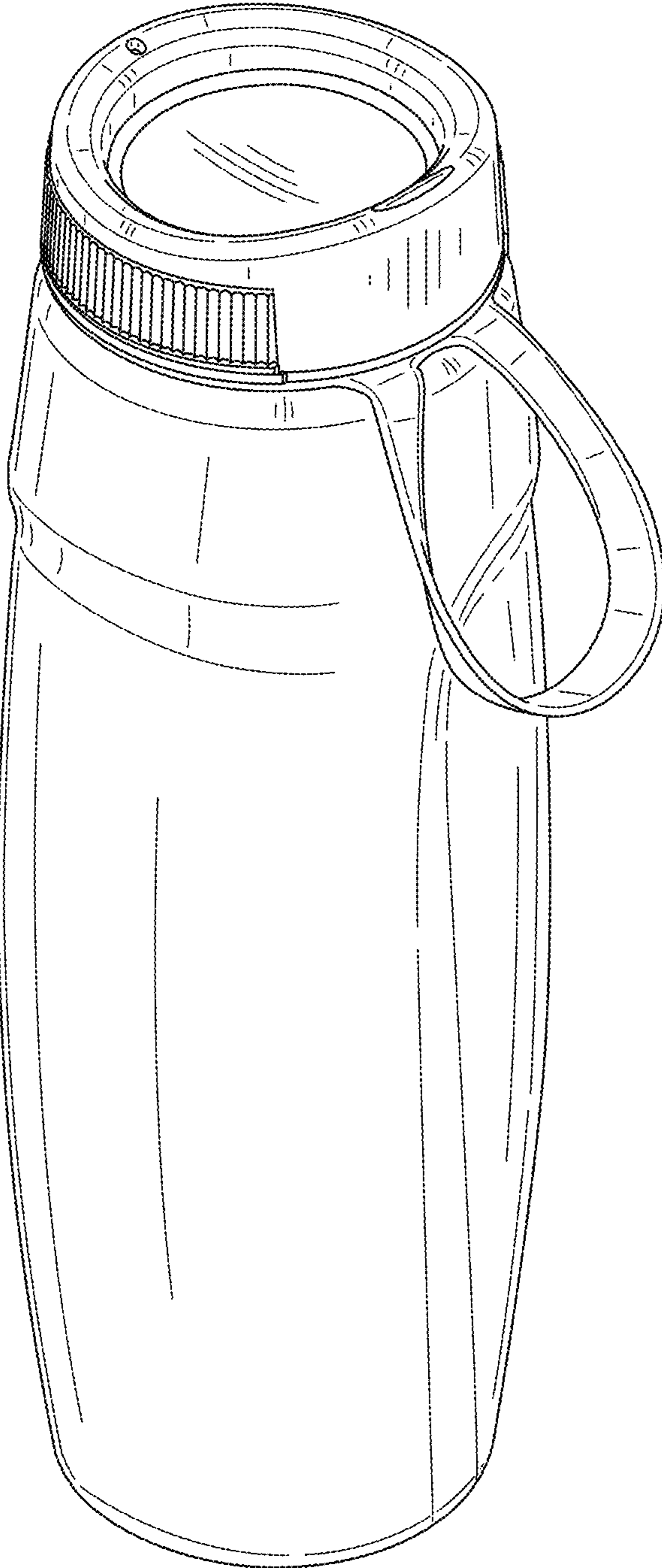


FIG.1

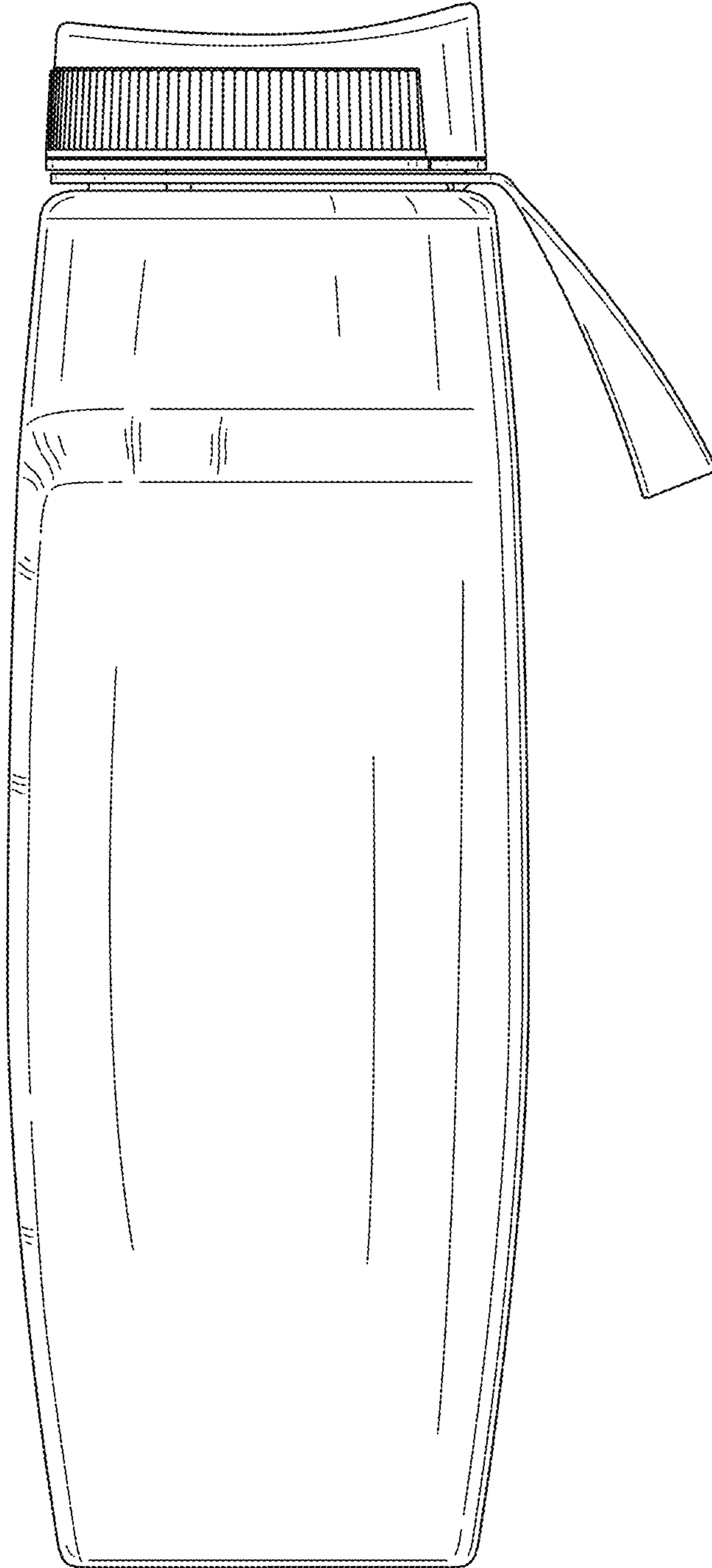


FIG.2

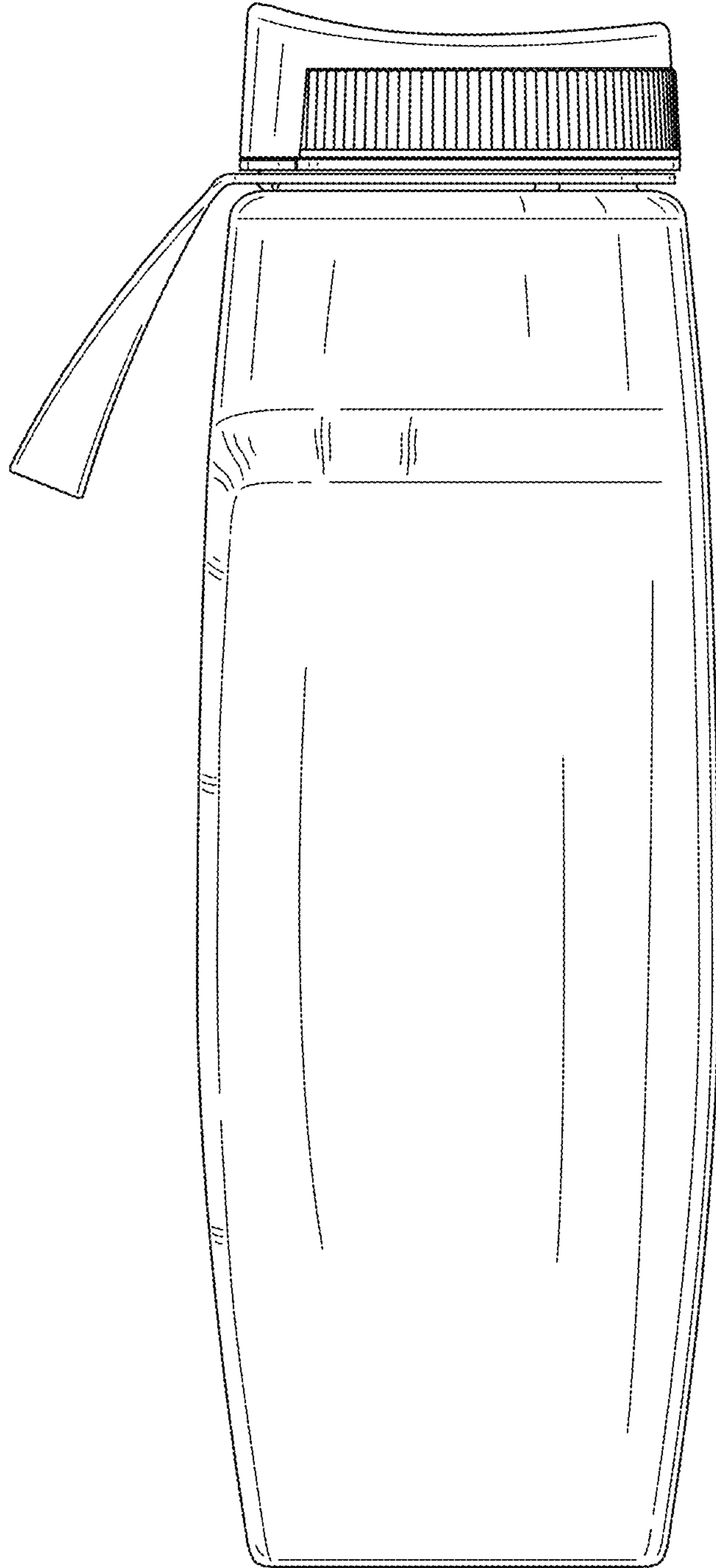


FIG.3

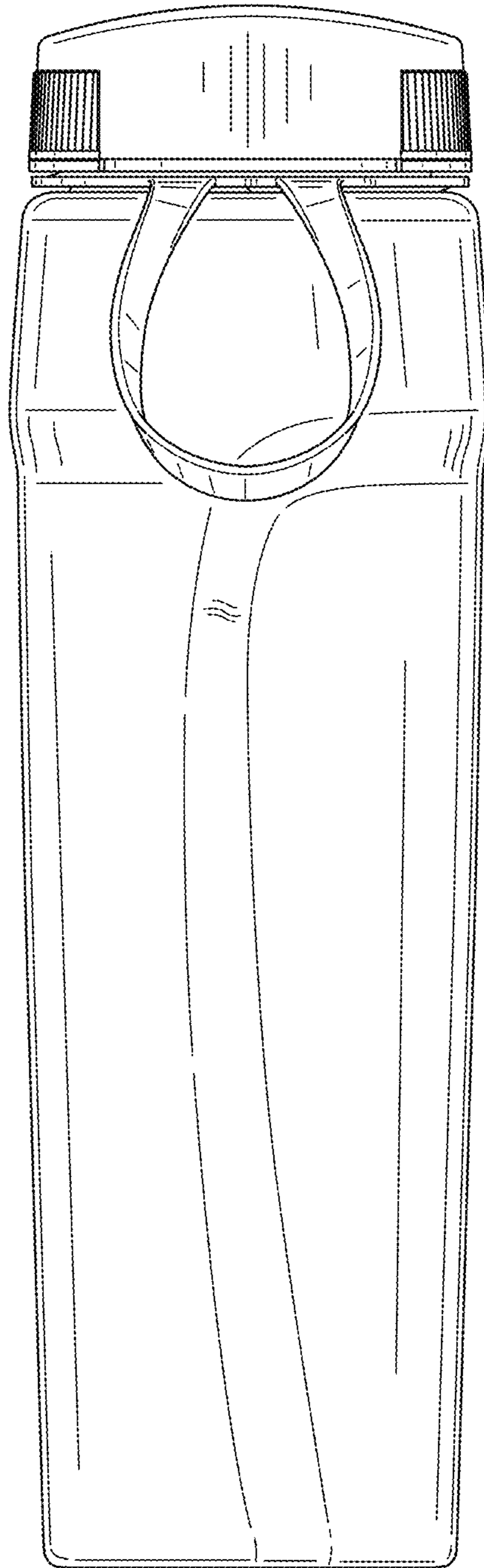


FIG. 4

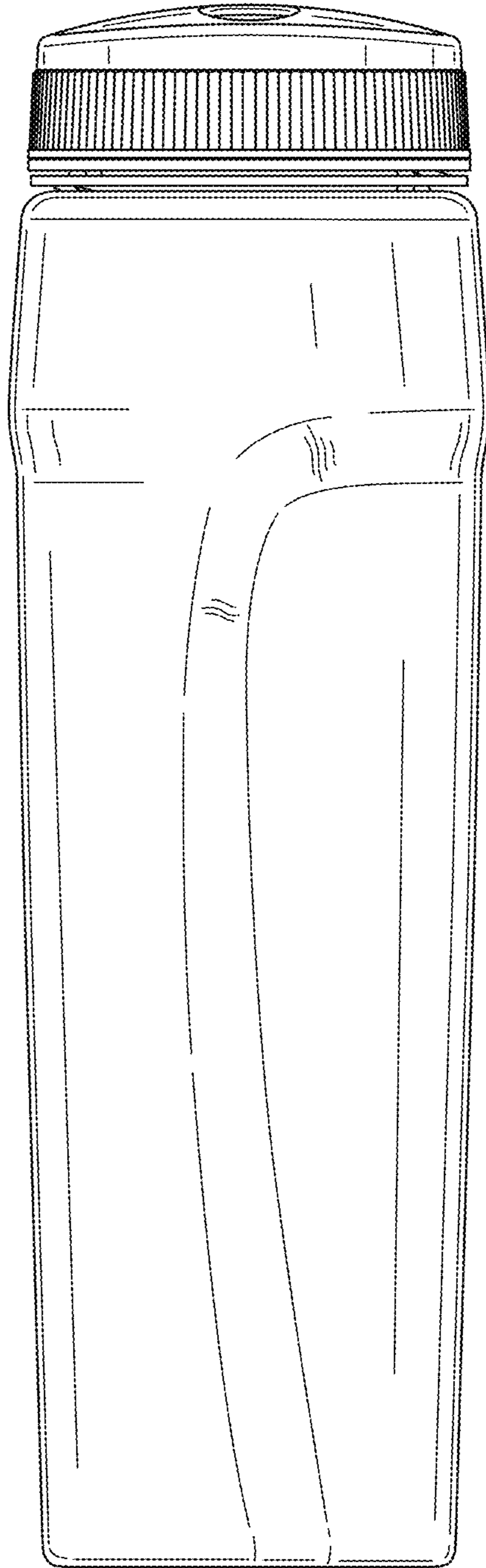


FIG. 5

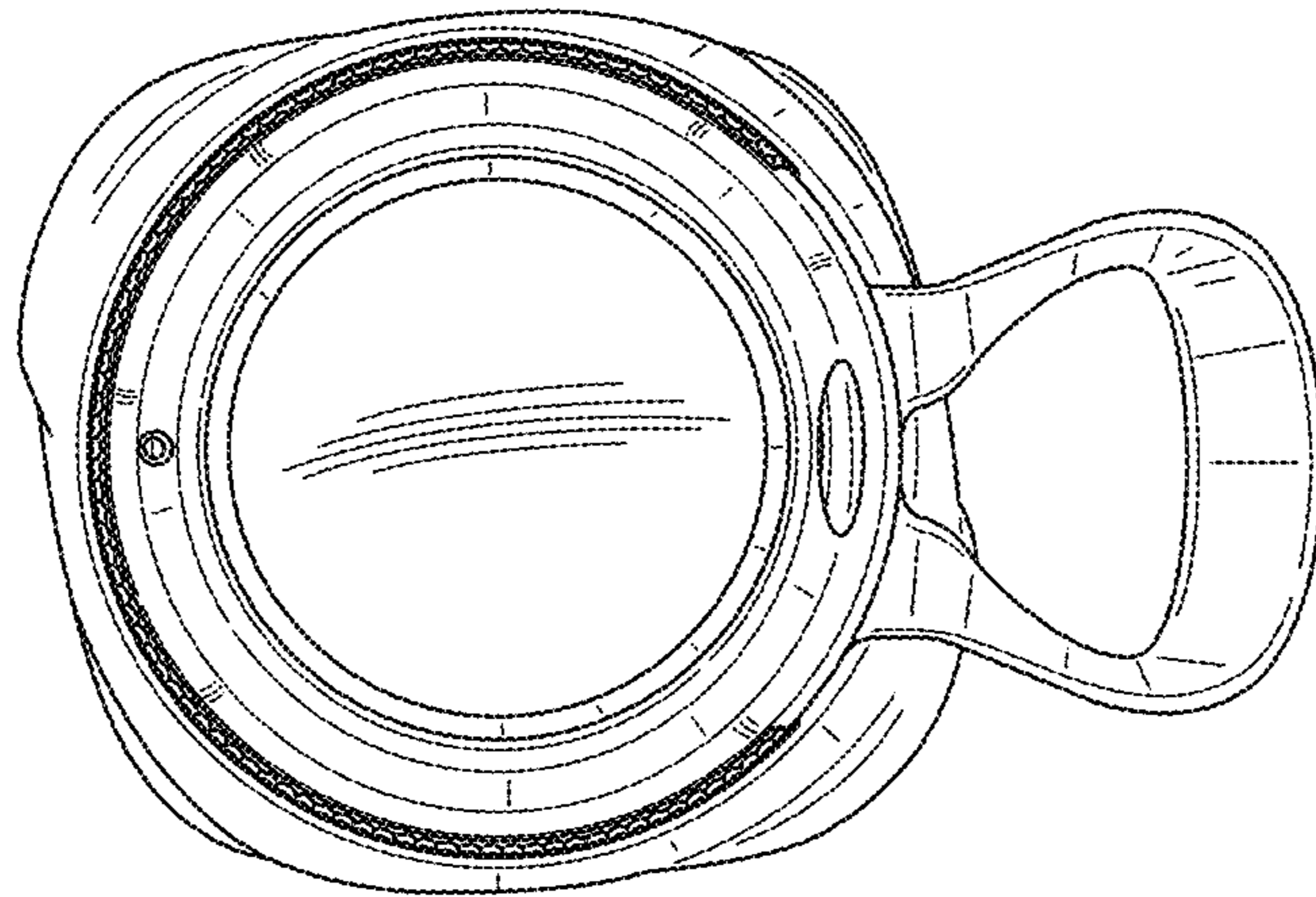


FIG. 6

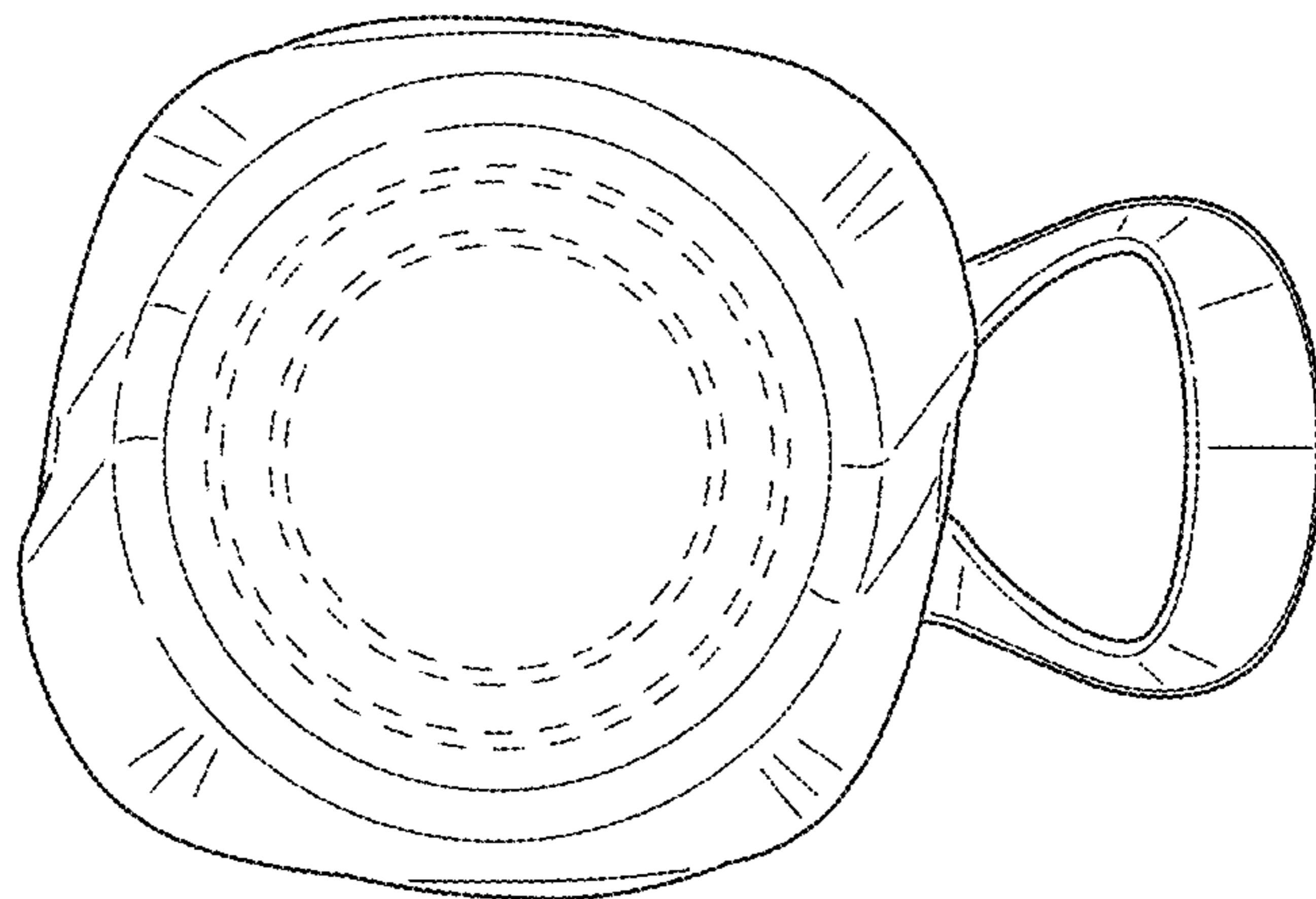


FIG. 7