



US00D789148S

(12) **United States Design Patent**
Hornung et al.

(10) **Patent No.:** **US D789,148 S**
(45) **Date of Patent:** **** Jun. 13, 2017**

(54) **COMBINED WATER BOTTLE AND WATER BOWL**

(71) Applicant: **Doskocil Manufacturing Company, Inc.**, Arlington, TX (US)

(72) Inventors: **Christopher James Hornung**, Watersmeet, MI (US); **Zeng Yi Bao**, Zhongshan (CN); **Tian Le Yang**, Zhongshan (CN)

(73) Assignee: **DOSKOCIL MANUFACTURING COMPANY, INC.**, Arlington, TX (US)

(**) Term: **15 Years**

(21) Appl. No.: **29/557,751**

(22) Filed: **Mar. 11, 2016**

(51) **LOC (10) Cl.** **07-01**

(52) **U.S. Cl.**

USPC **D7/507; D7/511; D7/529; D7/532**

(58) **Field of Classification Search**

USPC D7/509, 510, 511, 523, 529, 532, 533, D7/535, 536, 300, 300.1, 608, 629, 387, D7/304-315, 534, 396.1, 524, 537, 572, D7/392.1, 391, 507; D9/503, 504, 531, D9/530, 566, 544, 549, 550, 553, 554, D9/516, 537, 454, 434; 215/228, 229; 220/592.2, 592.16, 592.17; D23/202, D23/207; 99/281, 305, 307; 222/146.6; 141/247; D24/122; D3/202

CPC A47G 19/22; A47G 19/2227; A47G 19/02; A47G 19/025; A47G 19/2288; Y10S 220/903

See application file for complete search history.

(56) **References Cited**

U.S. PATENT DOCUMENTS

D197,308 S * 1/1964 Starges D9/502
D361,265 S * 8/1995 Doxey D9/435

D361,922 S * 9/1995 Van Dyk D7/510
D472,766 S * 4/2003 Luo D7/318
D482,571 S * 11/2003 Leinenweber D7/509
D496,559 S * 9/2004 Bodum D7/510
D545,678 S * 7/2007 Dittmer D9/504
D556,579 S * 12/2007 Goto D9/516
D597,192 S * 7/2009 Drucker D23/366
D604,991 S * 12/2009 Ablo D7/300.1
D619,418 S * 7/2010 Nezu D7/510
D625,561 S * 10/2010 Ablo D7/511
D646,572 S * 10/2011 Koeleman D9/500

(Continued)

Primary Examiner — Marianne Pandozzi

Assistant Examiner — Jae Liang

(74) *Attorney, Agent, or Firm* — Global IP Counselors, LLP

(57) **CLAIM**

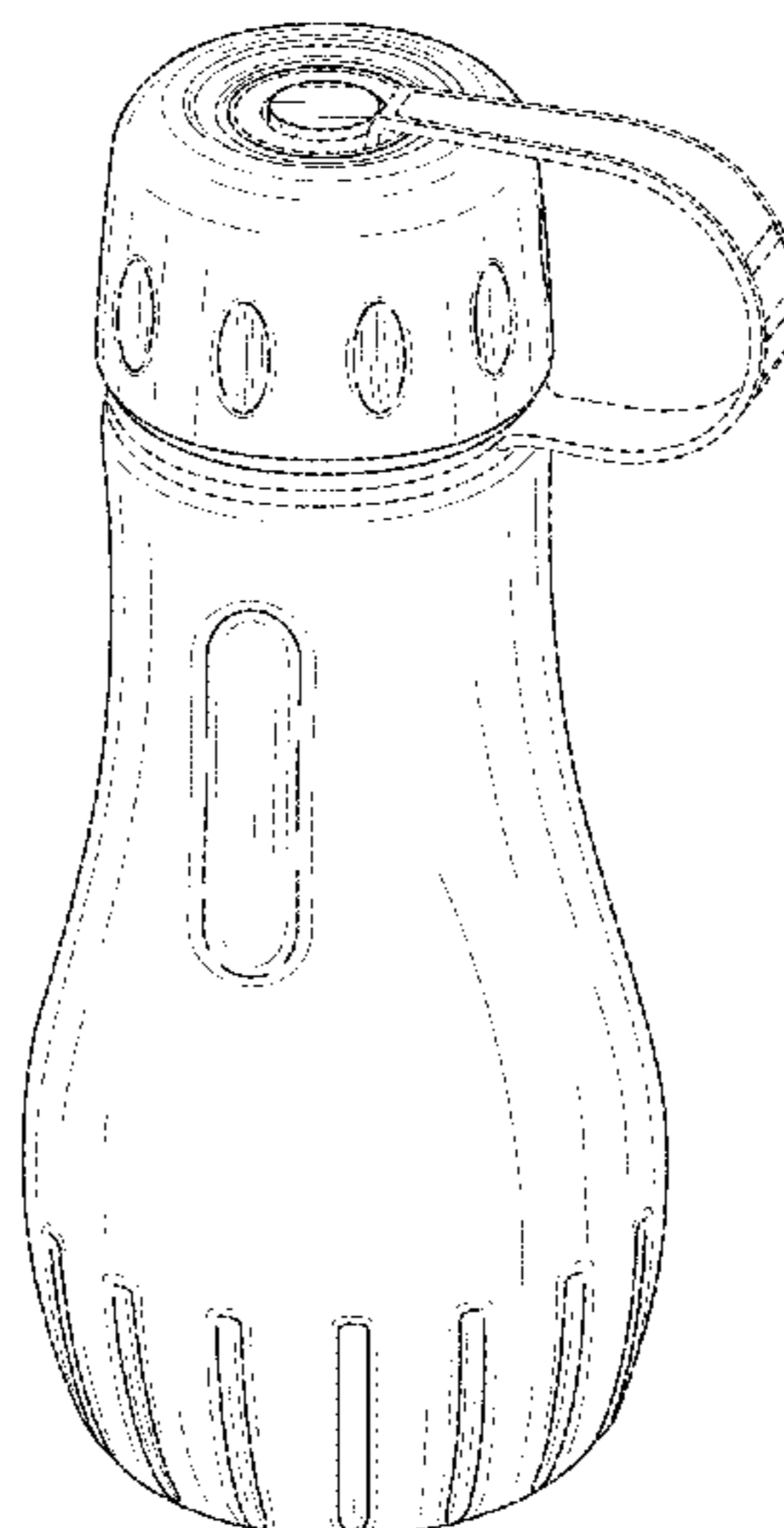
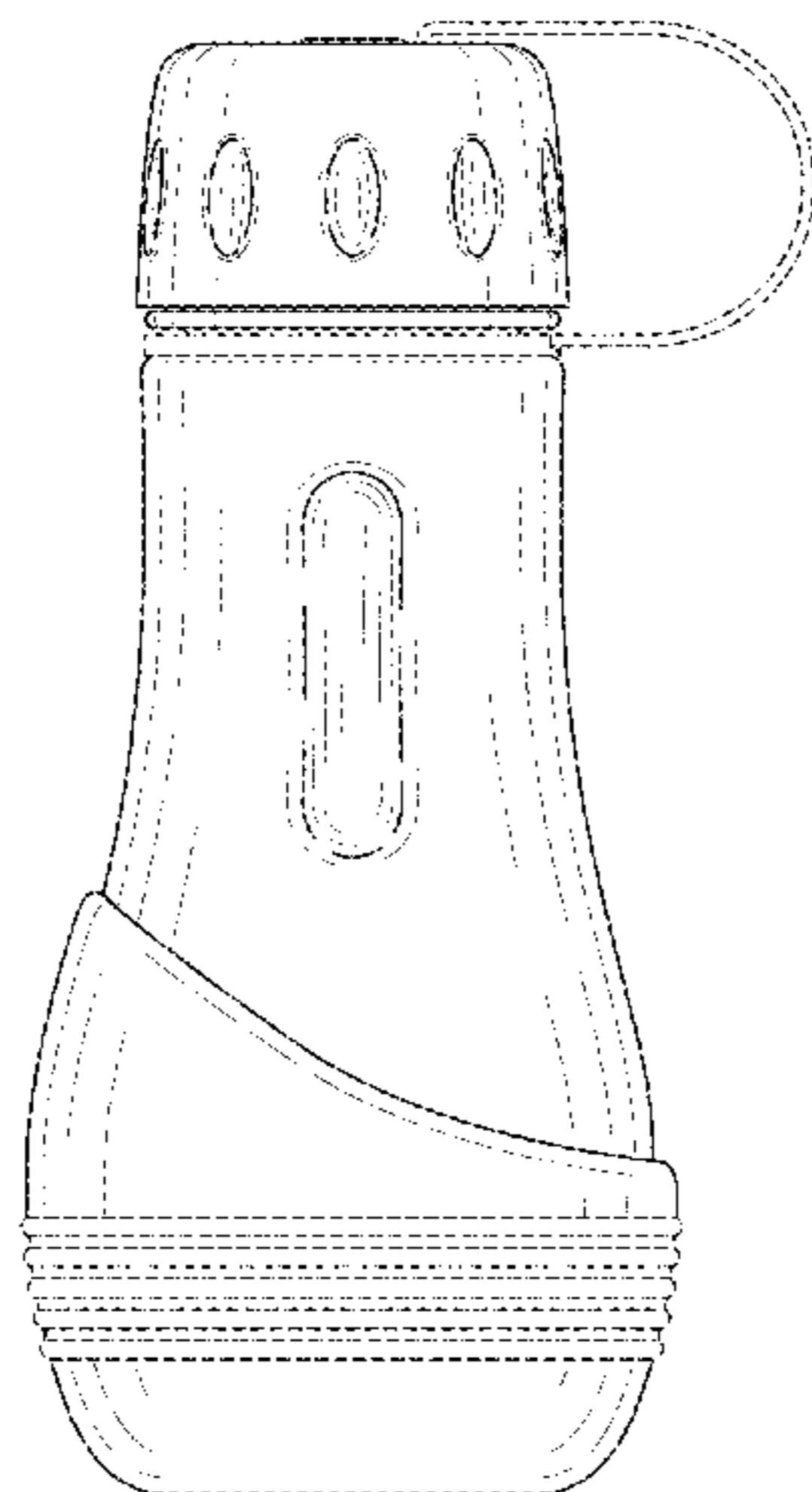
The ornamental design for a combined water bottle and water bowl, as shown and described.

DESCRIPTION

FIG. 1 is a top perspective view of a combined water bottle and water bowl in accordance with our new design;
FIG. 2 is a right side view thereof;
FIG. 3 is a left side view thereof;
FIG. 4 is a rear view of the water bottle system thereof;
FIG. 5 is a front view thereof;
FIG. 6 is a top view thereof;
FIG. 7 is a bottom view thereof;
FIG. 8 is a top perspective view thereof with the water bowl portion removed for ease of illustration;
FIG. 9 is a top perspective view thereof with the water bottle portion removed for ease of illustration;
FIG. 10 is a bottom perspective view of FIG. 8; and,
FIG. 11 is a top perspective view of FIG. 9.

The broken lines in the drawing depict portions of the combined water bottle and water bowl that form no part of the claimed design.

1 Claim, 6 Drawing Sheets



(56)

References Cited

U.S. PATENT DOCUMENTS

D656,788 S * 4/2012 Sakulsacha D24/197
D666,874 S * 9/2012 Sakulsacha D7/510
D686,509 S * 7/2013 Ashiwa D9/688
D688,912 S * 9/2013 Rosbach D7/392.1
D694,122 S * 11/2013 Kawai D9/689
D716,146 S * 10/2014 Palmatier D9/527
D719,448 S * 12/2014 Pires D9/504
D739,180 S * 9/2015 Beardsell D7/510
D741,656 S * 10/2015 Tello B42D 25/22
D7/510
D747,149 S * 1/2016 Hakim D7/529
D755,019 S * 5/2016 Kent D7/630
2005/0247714 A1 * 11/2005 Backes B65D 51/24
220/375
2007/0204511 A1 * 9/2007 Lee A47G 7/06
47/66.1
2008/0279731 A1 * 11/2008 Goreham A61L 9/037
422/125

* cited by examiner

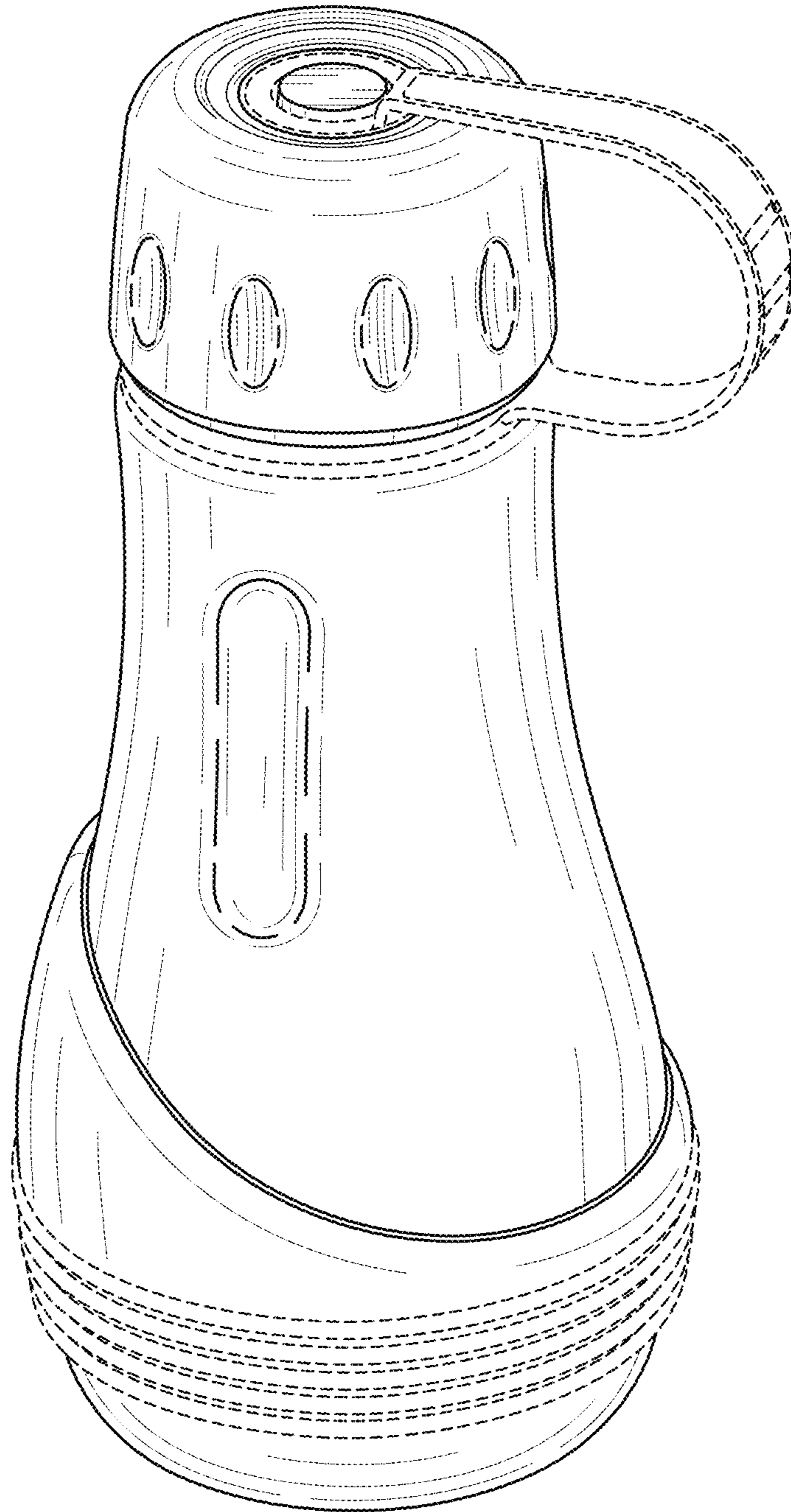


FIG. 1

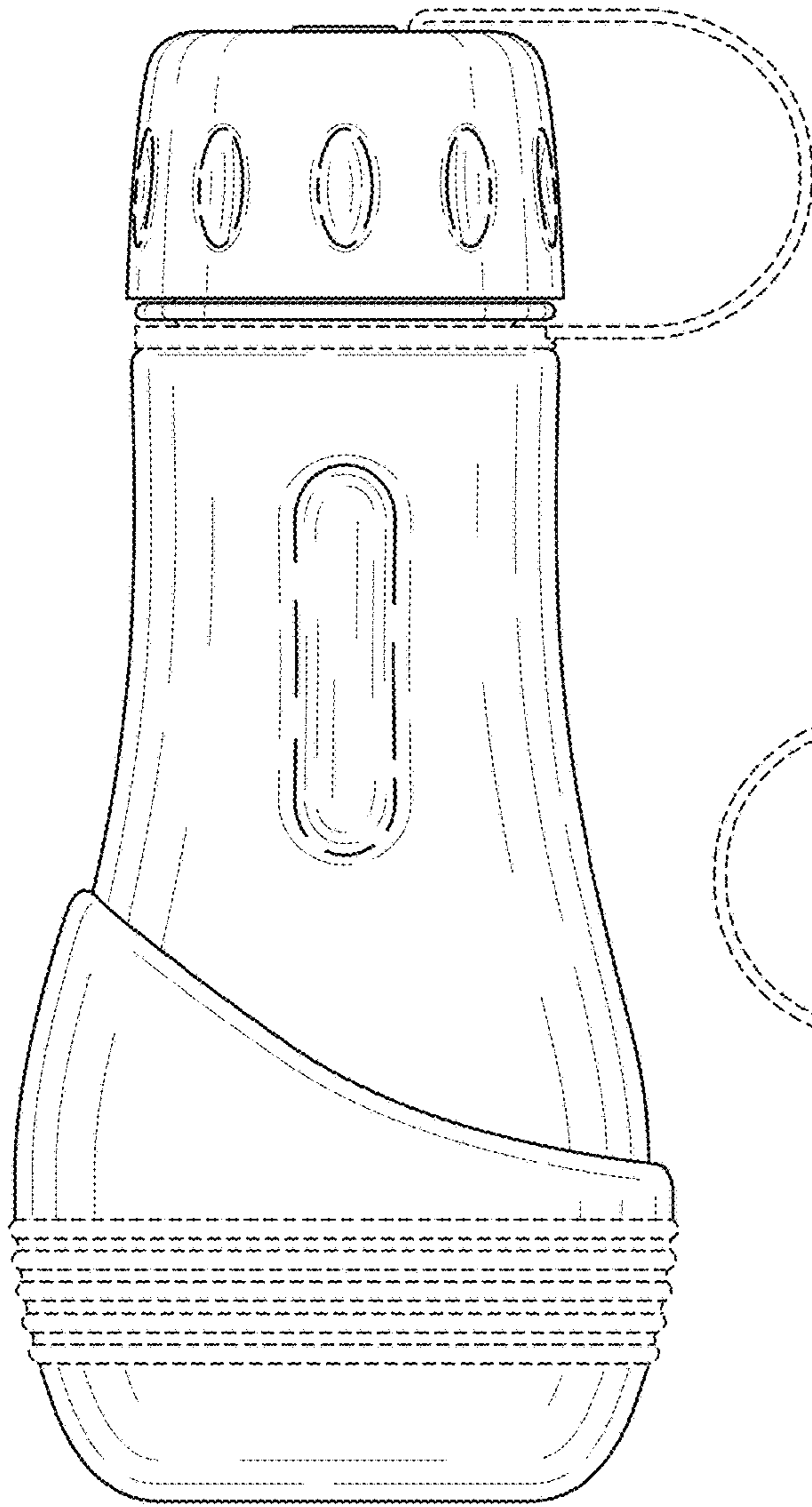


FIG. 2

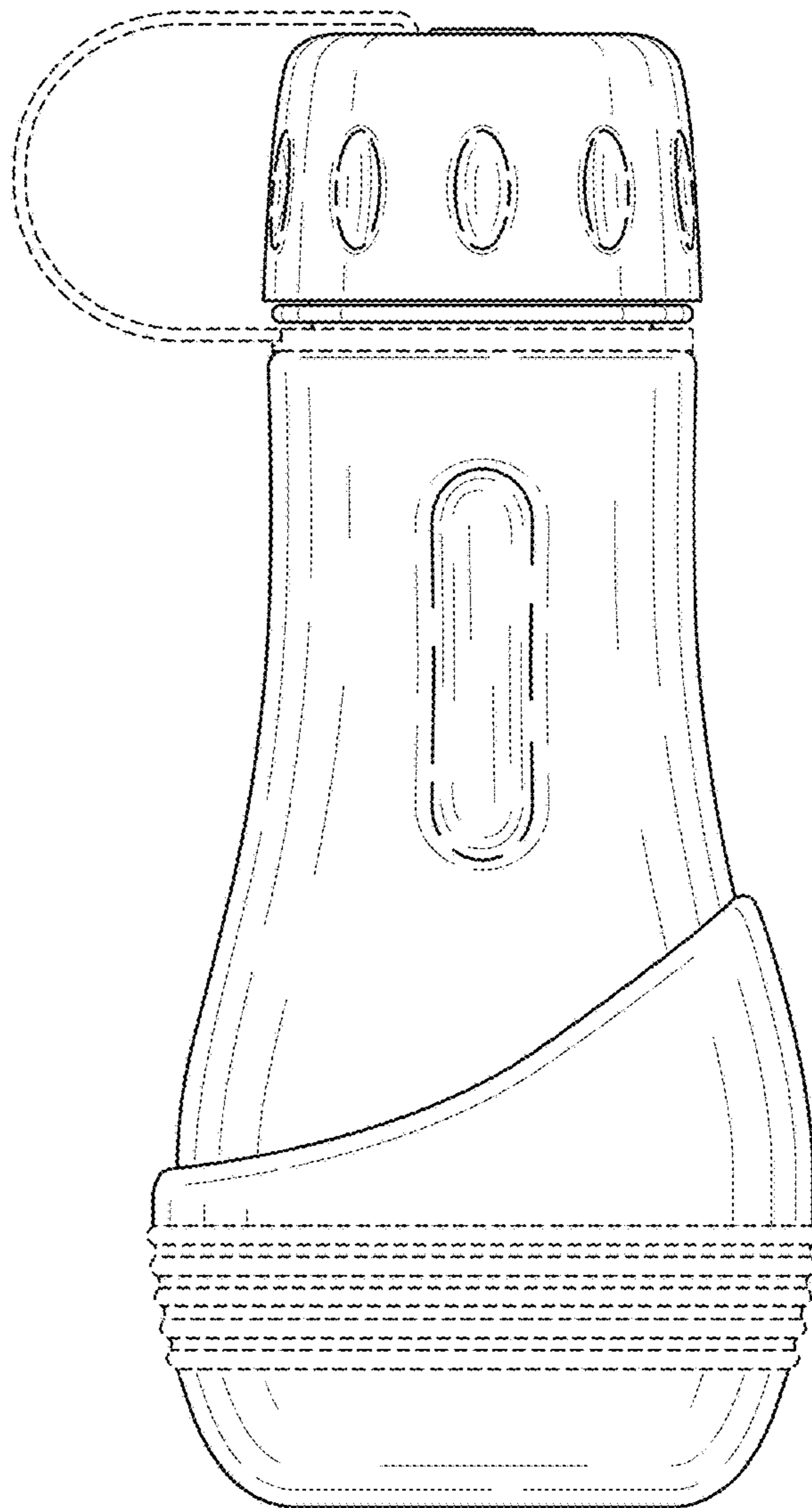


FIG. 3

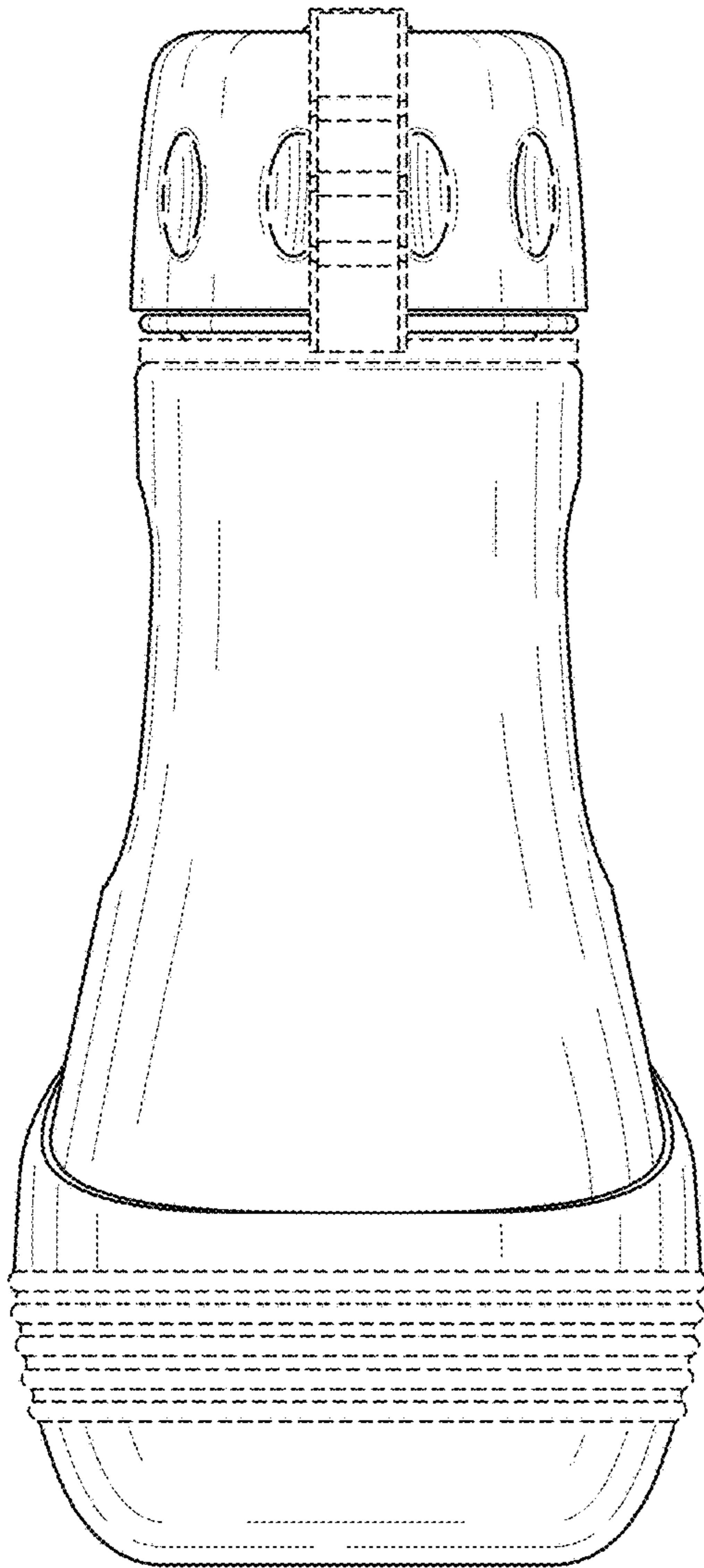


FIG. 4

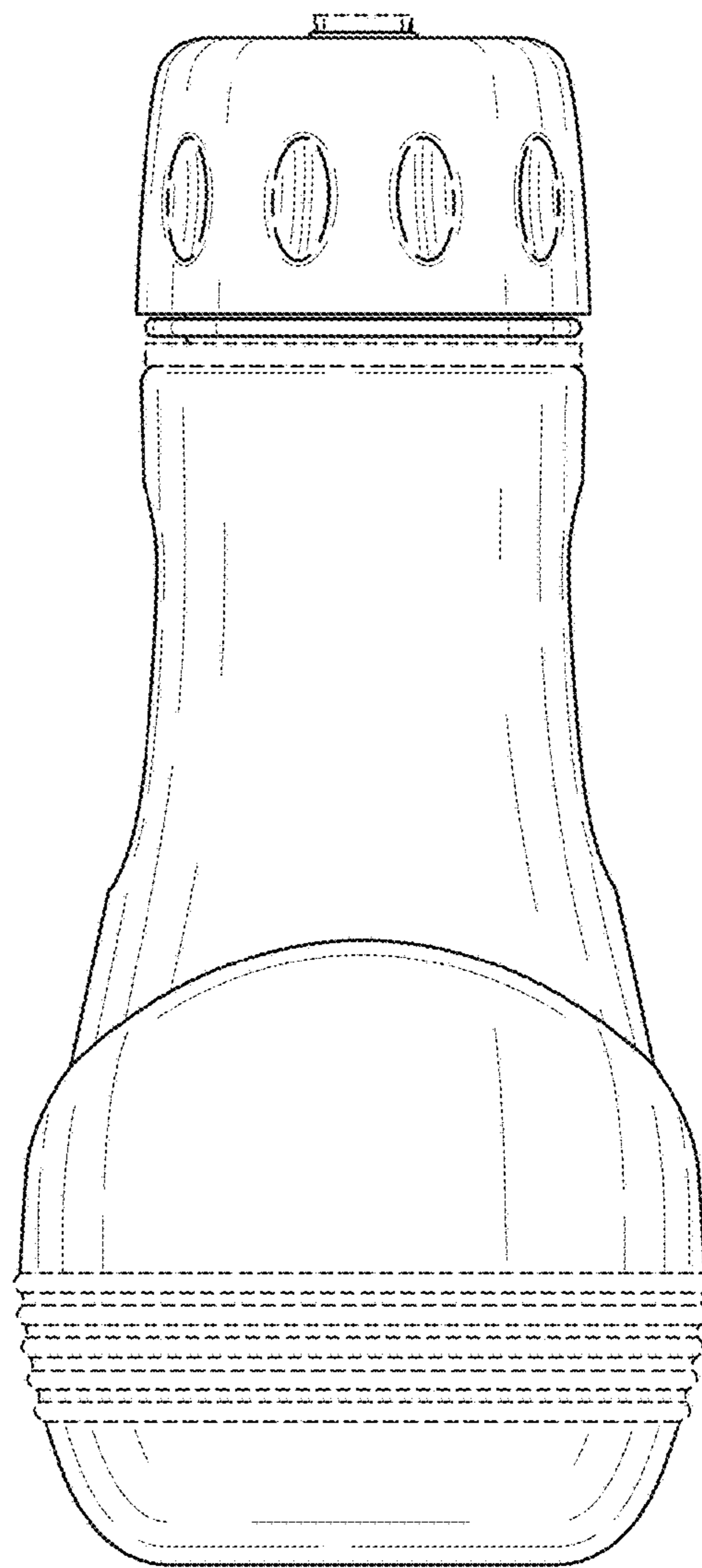


FIG. 5

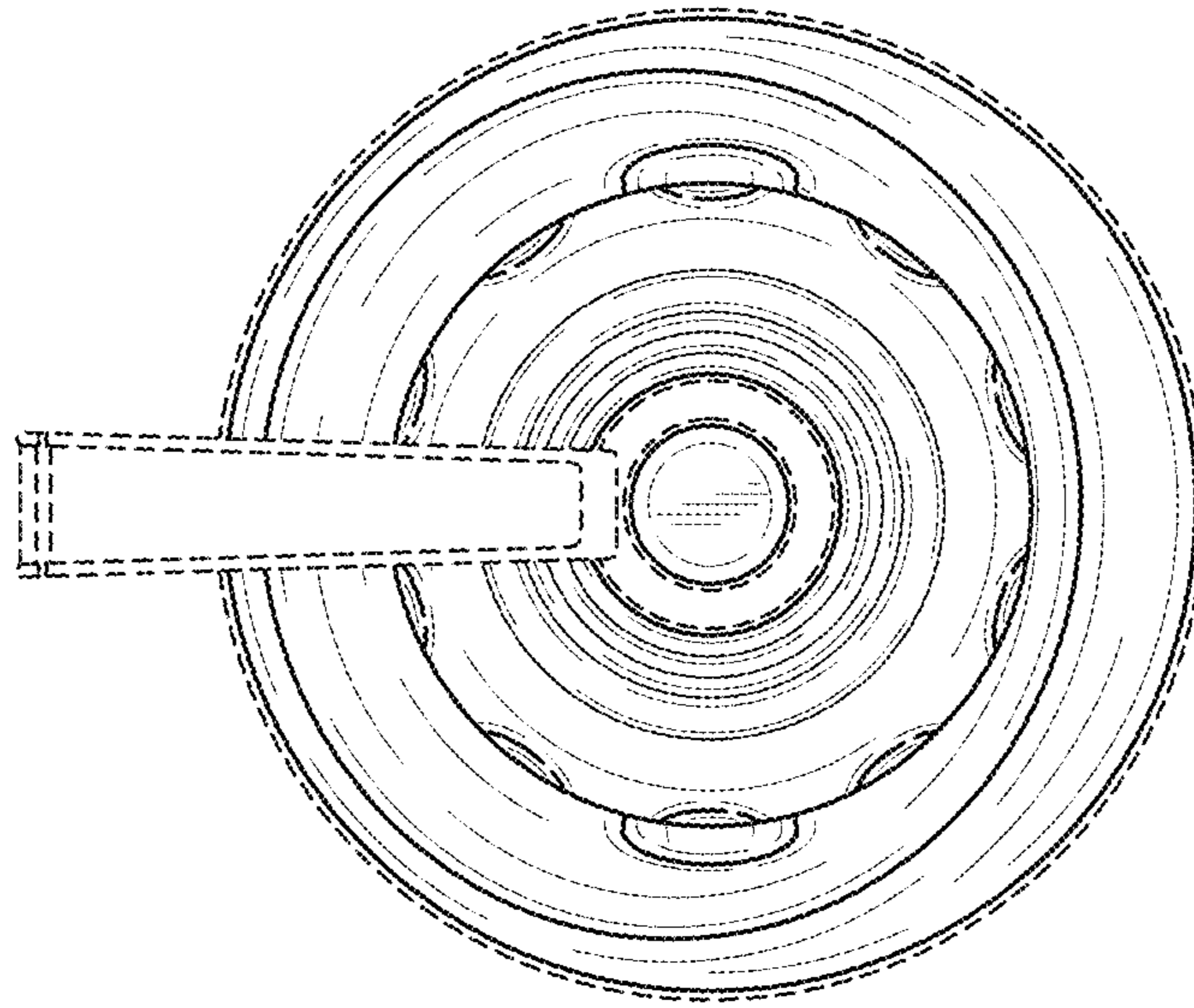


FIG. 6

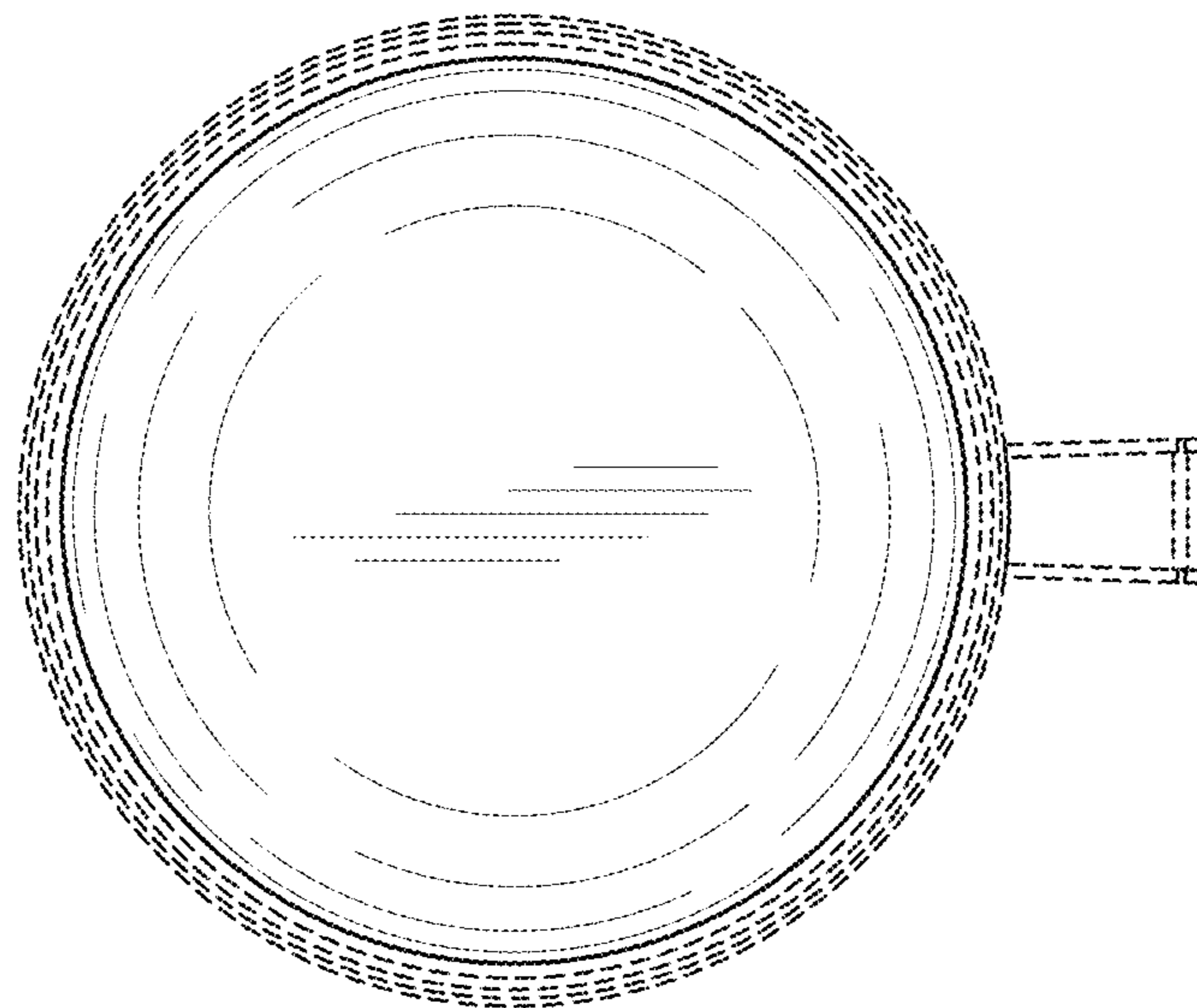


FIG. 7

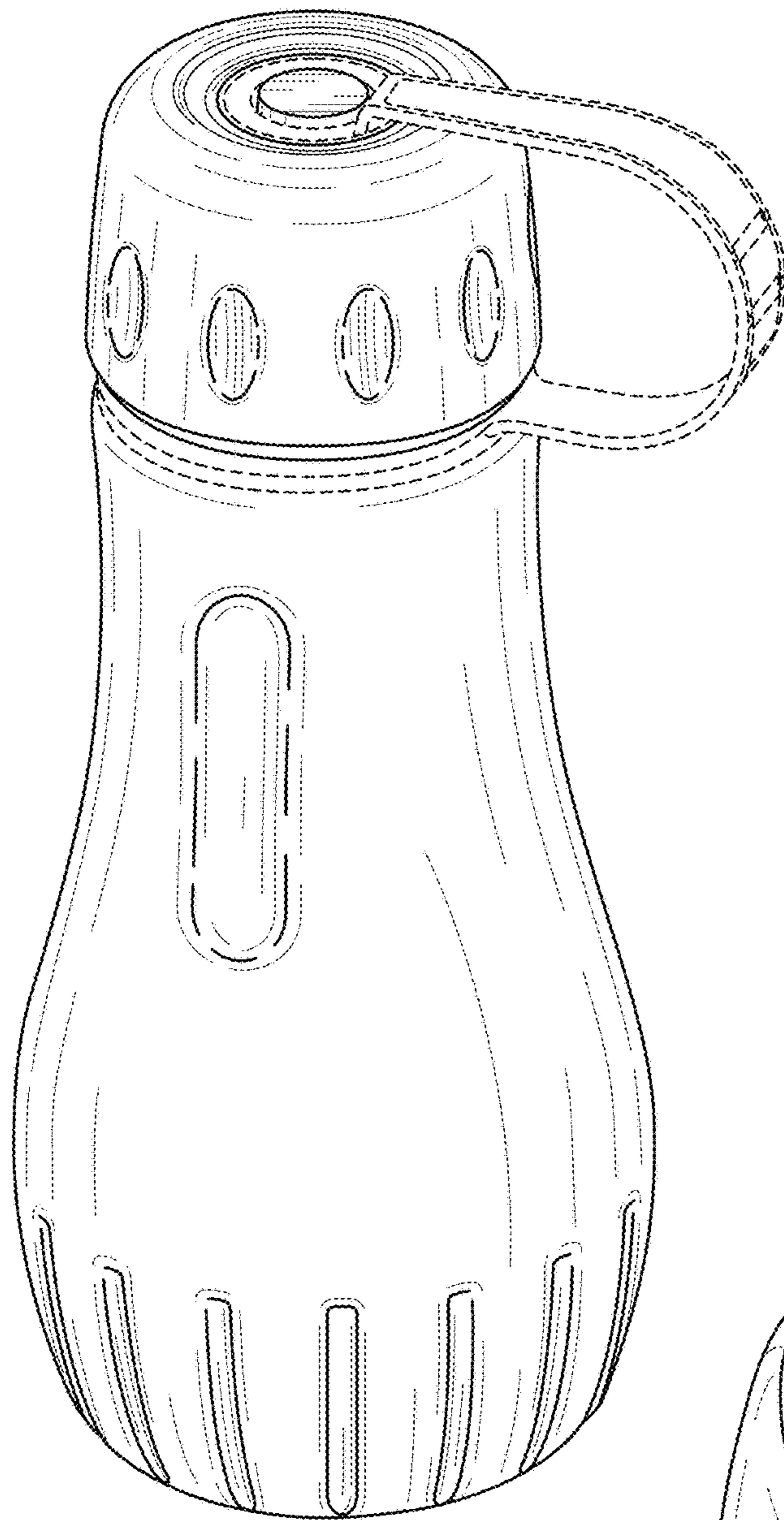


FIG. 8

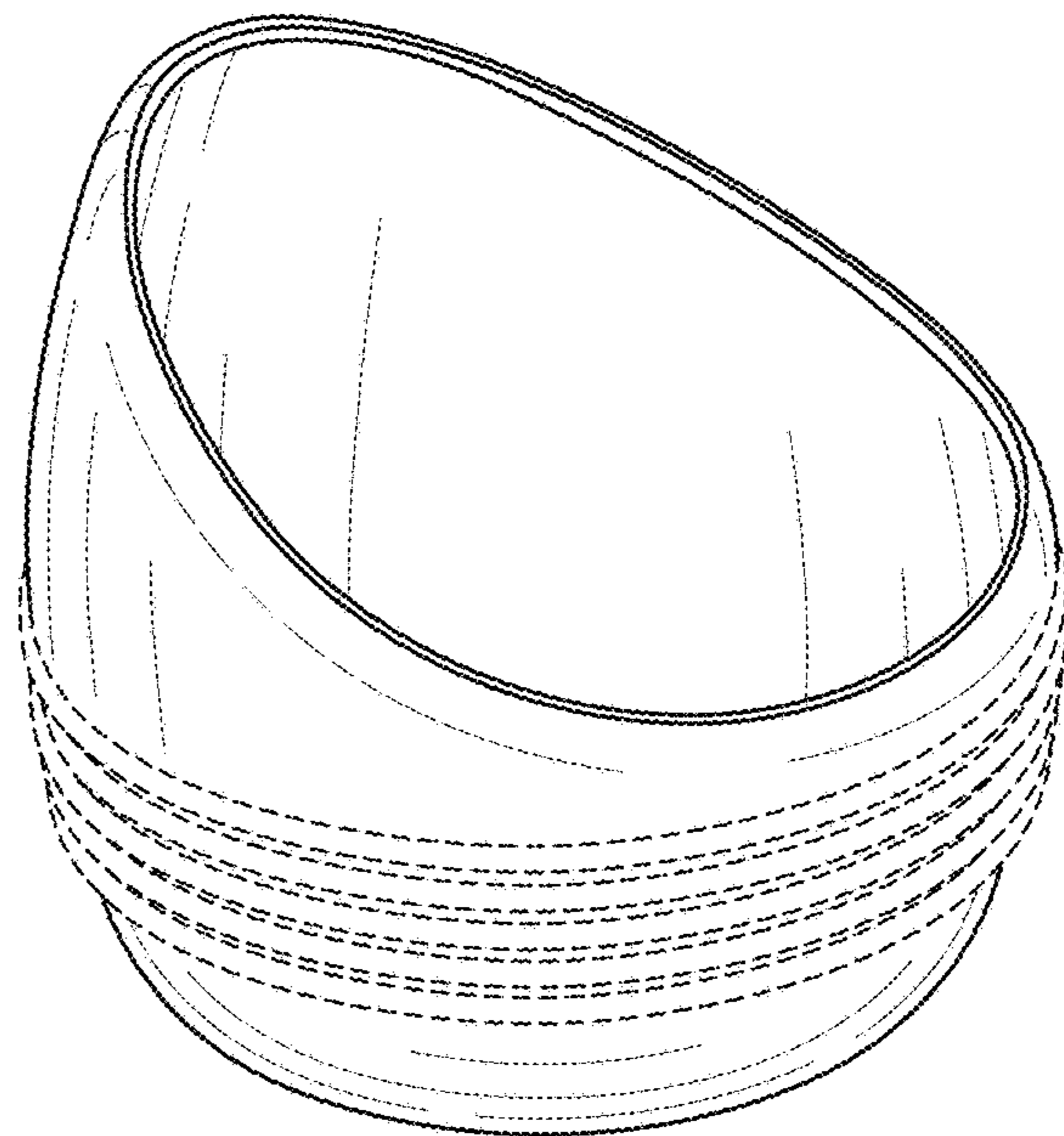


FIG. 9

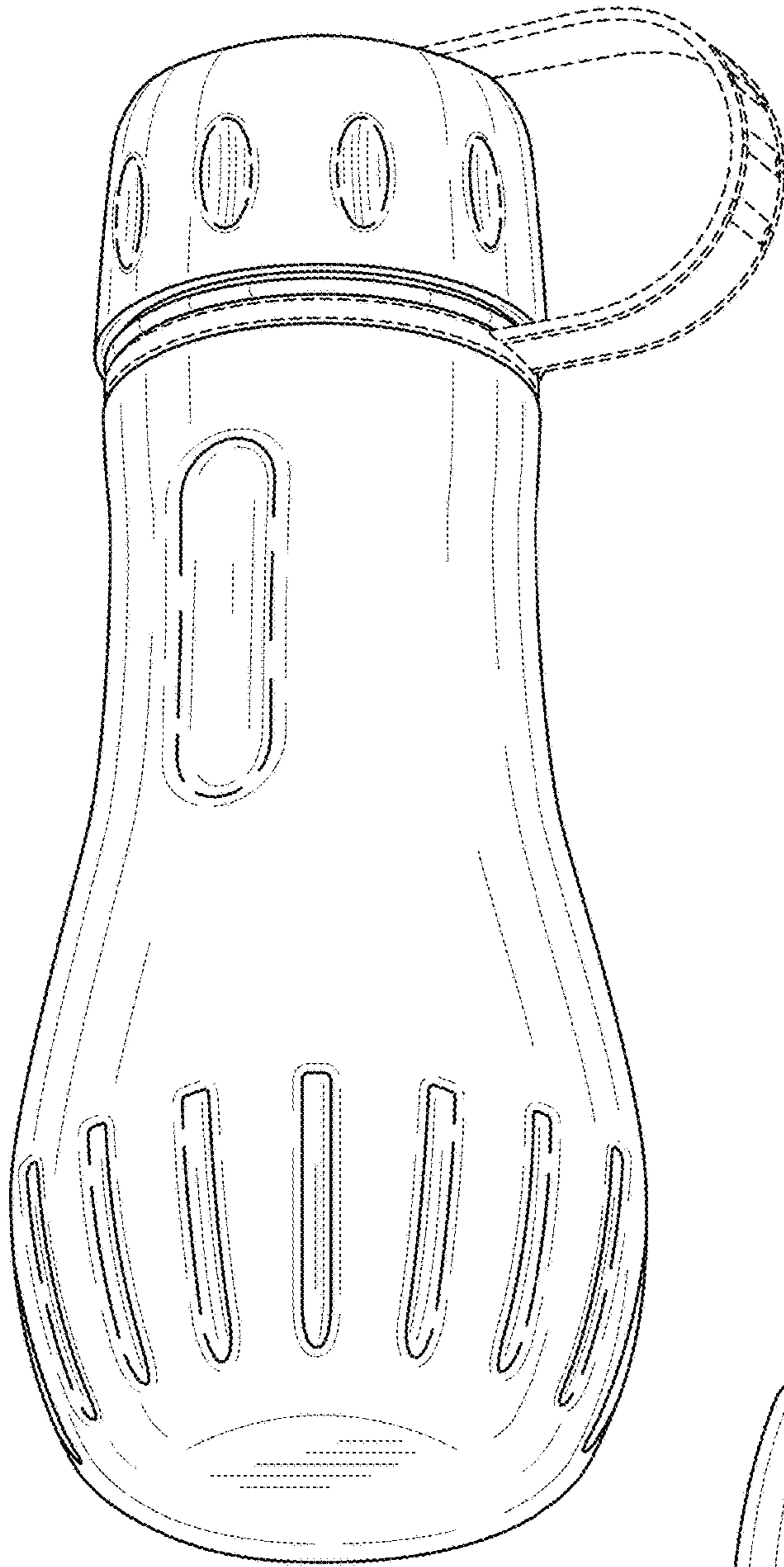


FIG. 10

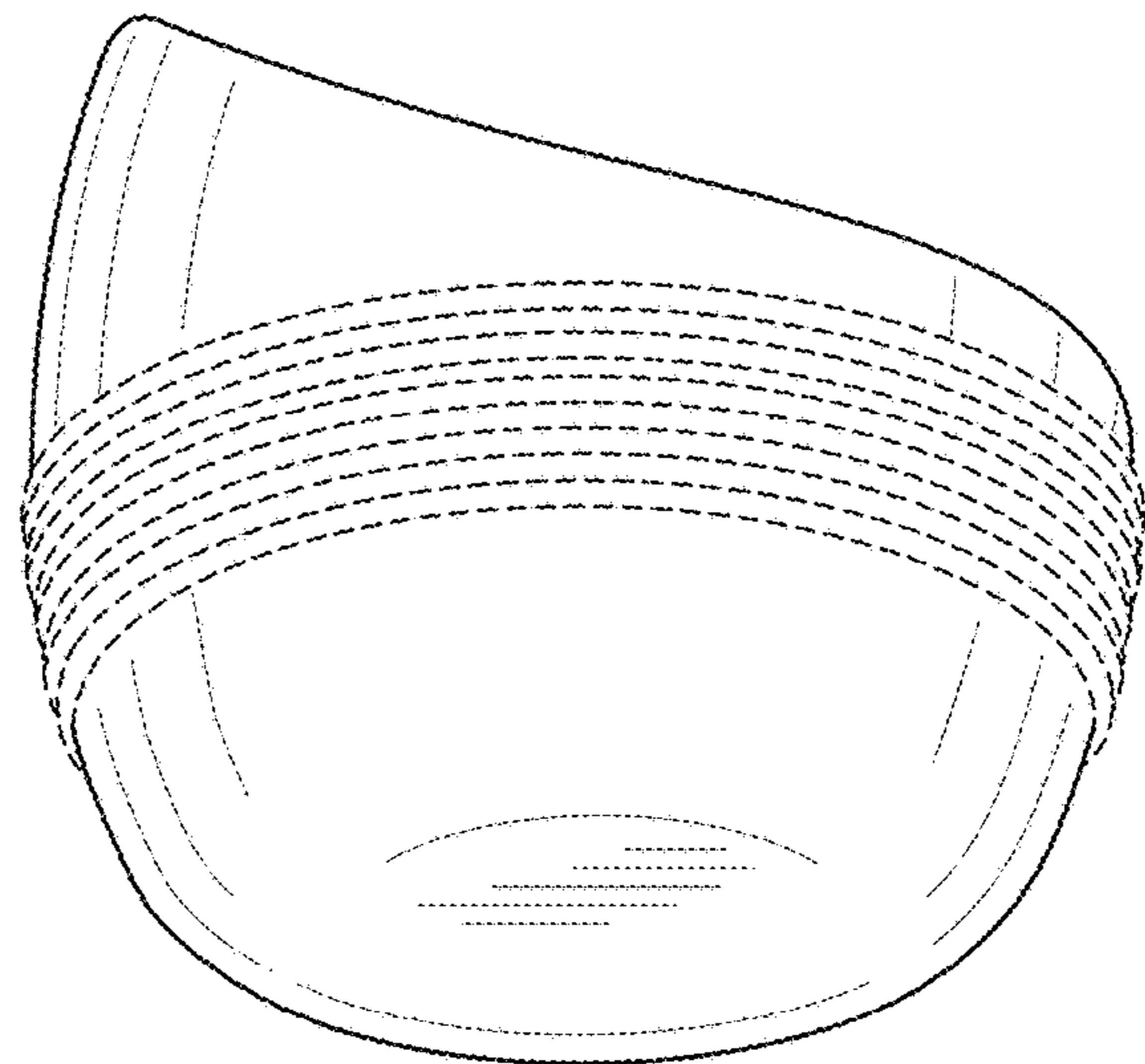


FIG. 11