



US00D789147S

(12) **United States Design Patent** (10) **Patent No.:** **US D789,147 S**
Nilssen (45) **Date of Patent:** **** Jun. 13, 2017**

(54) **FOOD SUPPORTING GRILL GRATE**

(71) Applicant: **Hestan Commercial Corporation,**
Anaheim, CA (US)

(72) Inventor: **Ray Nilssen,** Fairhope, AL (US)

(73) Assignee: **Hestan Commercial Corporation,**
Anaheim, CA (US)

(**) Term: **15 Years**

(21) Appl. No.: **29/555,587**

(22) Filed: **Feb. 23, 2016**

(51) **LOC (10) Cl.** **07-02**

(52) **U.S. Cl.**
USPC **D7/409**

(58) **Field of Classification Search**
USPC D7/323, 332, 335–337, 354–355,
D7/359–364, 387–388, 402, 407–409,
D7/698; D23/365
CPC A21B 2/00; A21B 3/00; A21B 3/13; A21B
3/15; A21B 5/00; A21B 5/02; A23N
12/06; A23N 12/08; A23N 12/10; A47J
37/00; A47J 37/04; A47J 37/041; A47J
37/042; A47J 37/06; A47J 37/067; A47J
37/0688; A47J 37/0694; A47J 37/07;
A47J 37/0704; A47J 37/0709; A47J
37/10; A47J 47/20; A47J 2037/00; A47J
2037/06; A47J 2037/0611; A47J 2037/07;
A47J 2037/0786; A47J 2037/0795; F24C
15/10; F24C 15/12; F24C 15/14; F24C
15/16; F24C 15/164; F24C 15/18
See application file for complete search history.

(56) **References Cited**

U.S. PATENT DOCUMENTS

D251,106	S	*	2/1979	Petursson	D7/409
D340,835	S	*	11/1993	Lupa	D7/402
5,911,812	A	*	6/1999	Stanek	A47J 37/067
						126/25 R
5,934,180	A	*	8/1999	Lin	A47J 37/0709
						219/386
6,131,505	A	*	10/2000	Lin	A47J 37/041
						403/386
D532,655	S	*	11/2006	Elwell	D7/409
D570,154	S	*	6/2008	Wang	D7/359
D600,070	S	*	9/2009	Kellermann	D7/409
7,810,487	B2	*	10/2010	Johnston	A47J 37/0694
						126/152 A
D655,803	S	*	3/2012	Platt	D23/365
D706,577	S	*	6/2014	Funnell, II	D7/354
D758,786	S	*	6/2016	Koszylko	D7/352
D774,367	S	*	12/2016	Neal	D7/698

* cited by examiner

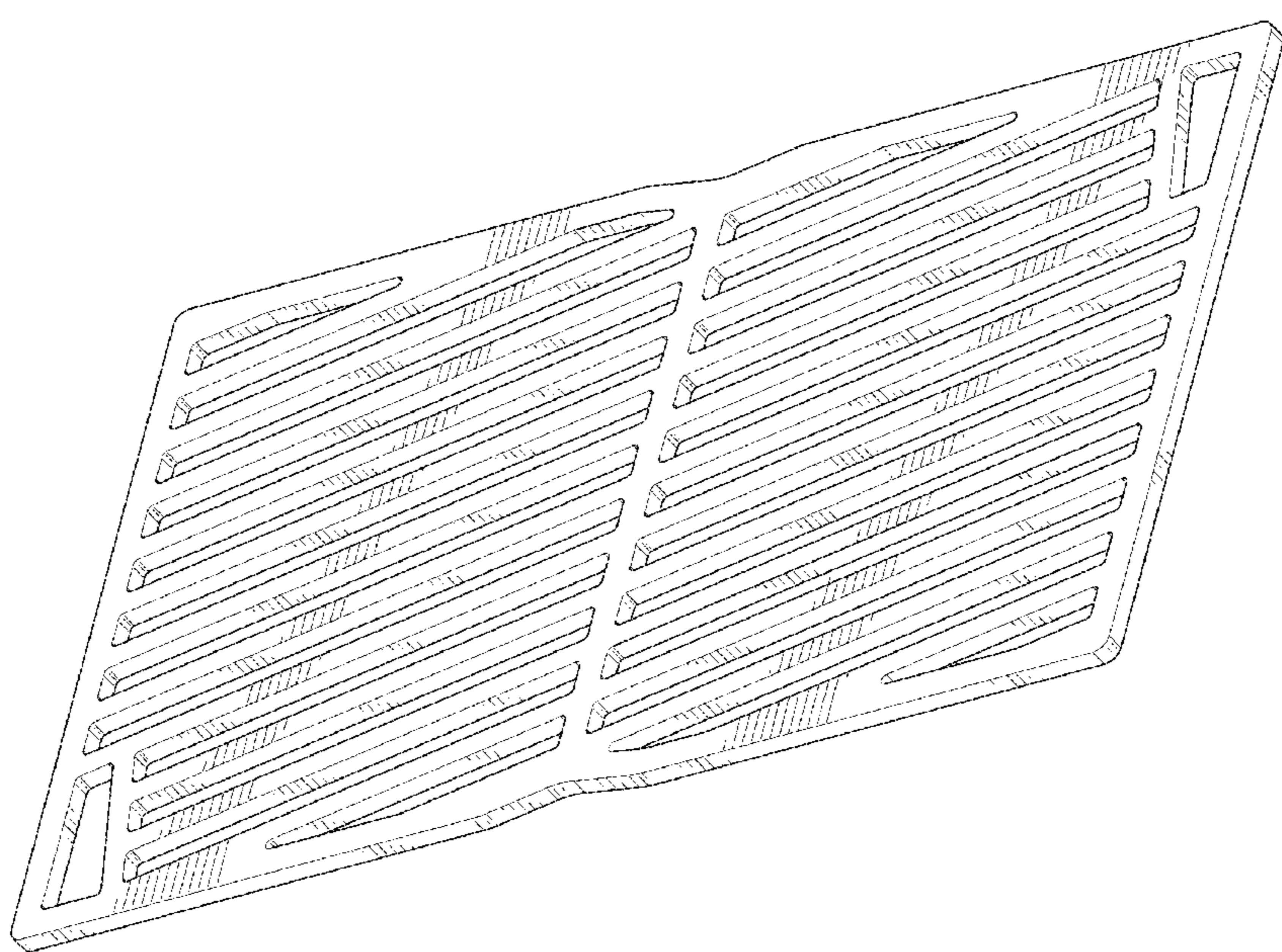
Primary Examiner — Ricky Pham
(74) *Attorney, Agent, or Firm* — Akerman LLP

(57) **CLAIM**
The ornamental design for a food supporting grill grate, as shown and described.

DESCRIPTION

FIG. 1 is a perspective view of the “food supporting grill grate”, showing my new design;
FIG. 2 is a top view thereof;
FIG. 3 is a bottom view thereof;
FIG. 4 is a left side view thereof;
FIG. 5 is a right side view thereof;
FIG. 6 is a back view thereof; and,
FIG. 7 is a front view thereof.

1 Claim, 5 Drawing Sheets



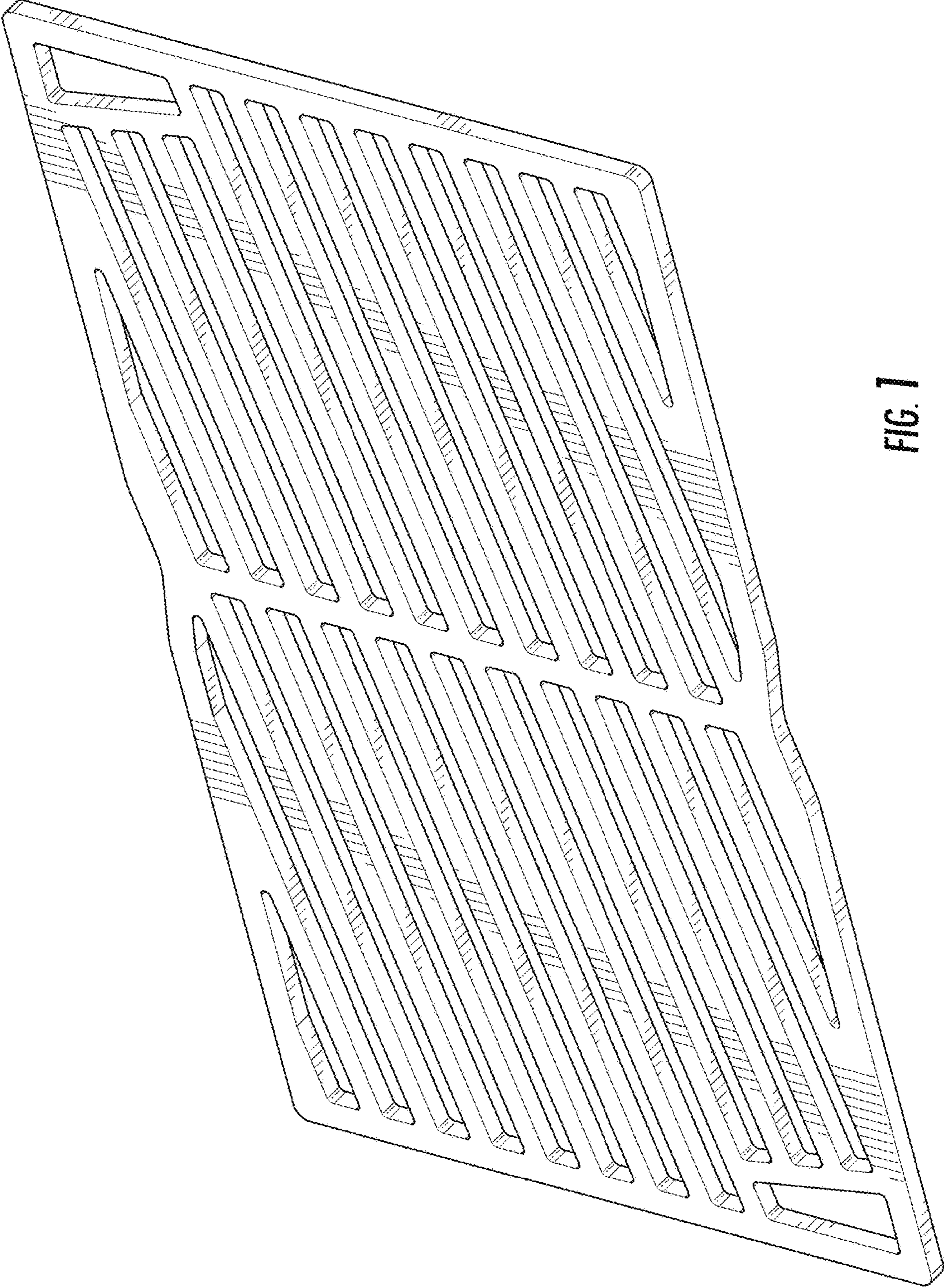


FIG. 1

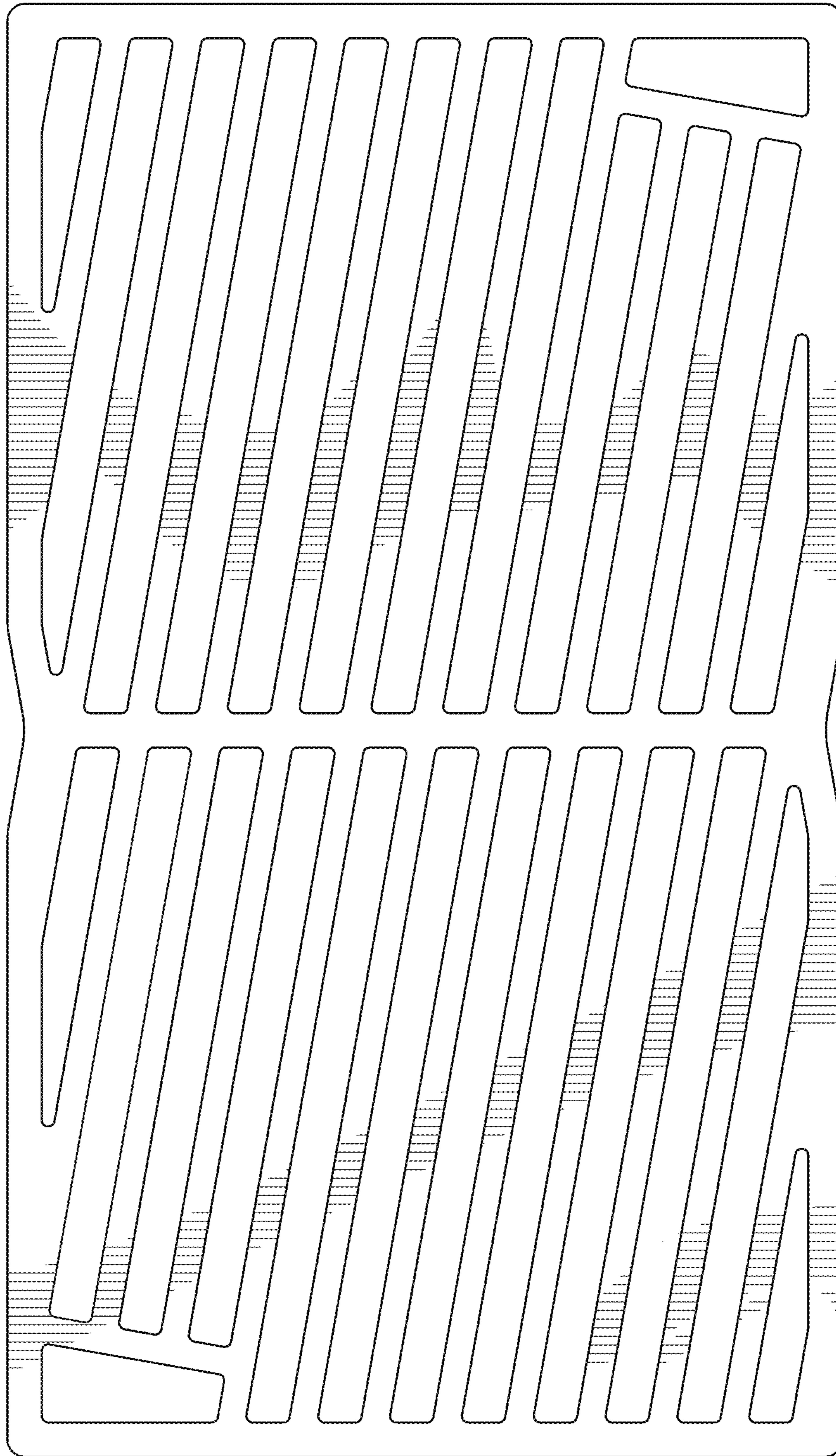


FIG. 2

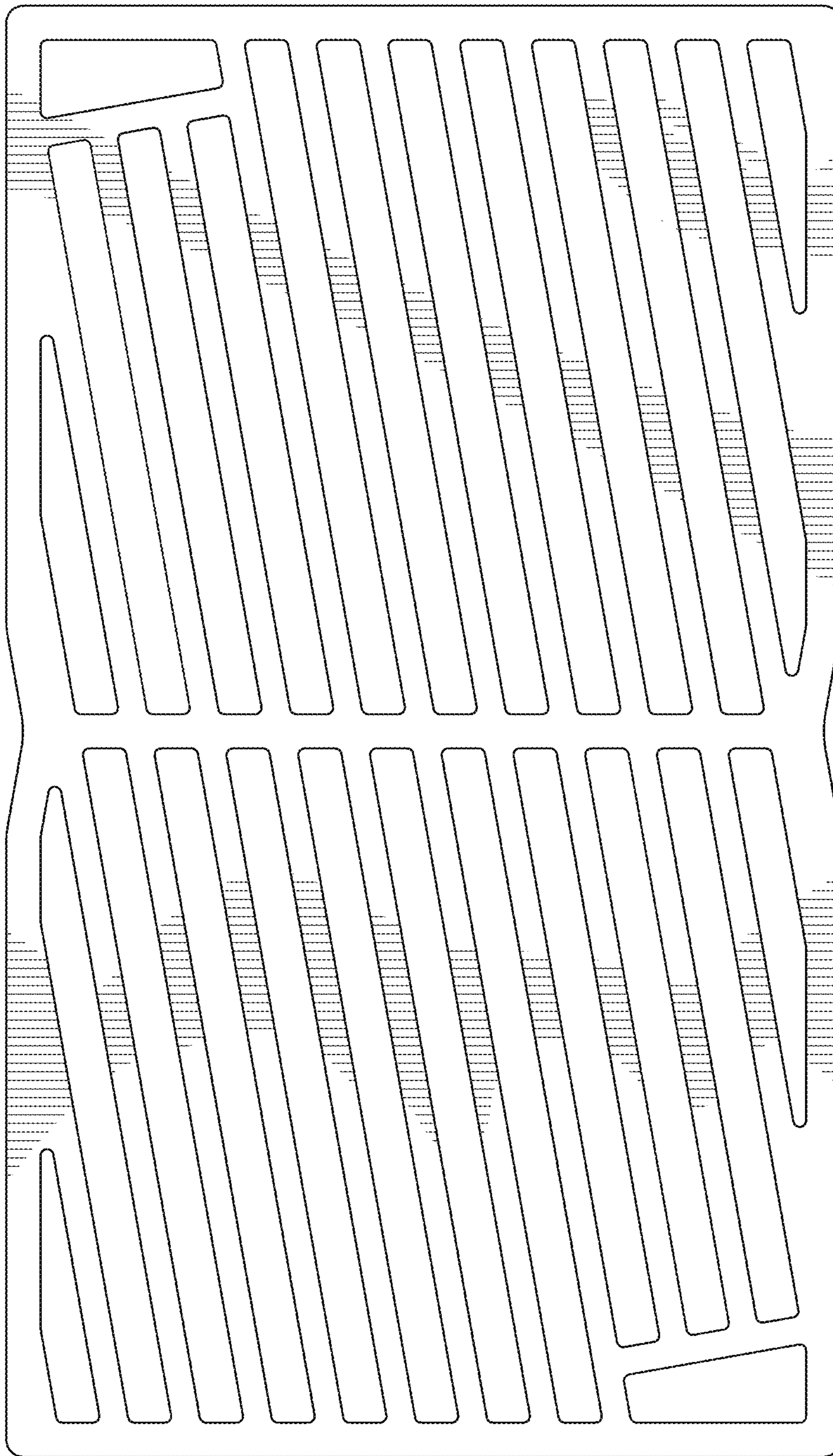


FIG. 3

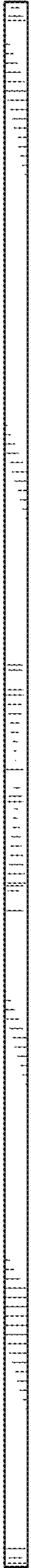


FIG. 4



FIG. 5

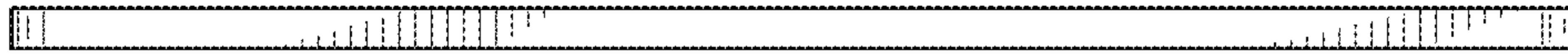


FIG. 6



FIG. 7