



US00D789146S

(12) **United States Design Patent** (10) **Patent No.:** **US D789,146 S**
Maslana et al. (45) **Date of Patent:** **** Jun. 13, 2017**

(54) **SEAR TOOL**

F24C 15/10; F24C 15/12; F24C 15/14;
F24C 15/16; F24C 15/164; F24C 15/18

See application file for complete search history.

(71) Applicant: **Prince Castle LLC**, Carol Stream, IL
(US)

(56) **References Cited**

(72) Inventors: **Eugene S. Maslana**, Morton Grove, IL
(US); **Karl Heinze**, West Chicago, IL
(US)

U.S. PATENT DOCUMENTS

(73) Assignee: **Prince Castle LLC**, Carol Stream, IL
(US)

2,641,246	A *	6/1953	Guthof	F24B 1/003 126/275 R
D338,373	S *	8/1993	Sun	D30/131
5,431,091	A *	7/1995	Couture	A47J 37/0605 126/275 R
5,465,651	A *	11/1995	Erickson	A47J 37/015 126/21 A
5,699,722	A *	12/1997	Erickson	A47J 37/0623 126/21 A
5,845,563	A *	12/1998	Haring	A47J 37/043 99/419
5,970,858	A *	10/1999	Boehm	A47J 37/0629 99/400
D437,522	S *	2/2001	Measom	D7/354
6,502,503	B1 *	1/2003	Bell, Jr.	A47J 36/16 99/345
D522,807	S *	6/2006	Dow	D7/361

(**) Term: **15 Years**

(21) Appl. No.: **29/540,457**

(22) Filed: **Sep. 24, 2015**

(51) **LOC (10) Cl.** **07-02**

(52) **U.S. Cl.**
USPC **D7/409**

(58) **Field of Classification Search**
USPC D7/323, 332, 335-337, 354-355,
D7/359-364, 387-388, 402, 407-409,
D7/540; D30/132

CPC A21B 2/00; A21B 3/00; A21B 3/13; A21B
3/15; A21B 5/00; A21B 5/02; A23N
12/06; A23N 12/08; A23N 12/10; A47J
27/00; A47J 36/16; A47J 37/00; A47J
37/015; A47J 37/04; A47J
37/041-37/043; A47J 37/06; A47J
37/0605; A47J 37/0623; A47J 37/0629;
A47J 37/0688; A47J 37/0694; A47J
37/07; A47J 37/0704; A47J 37/10; A47J
47/20; A47J 2037/00; A47J 2037/06;
A47J 2037/0611; A47J 2037/07; A47J
2037/0786; A47J 2037/0795; F24B 1/003;

(Continued)

Primary Examiner — Ricky Pham

(74) *Attorney, Agent, or Firm* — Andrus Intellectual
Property Law, LLP

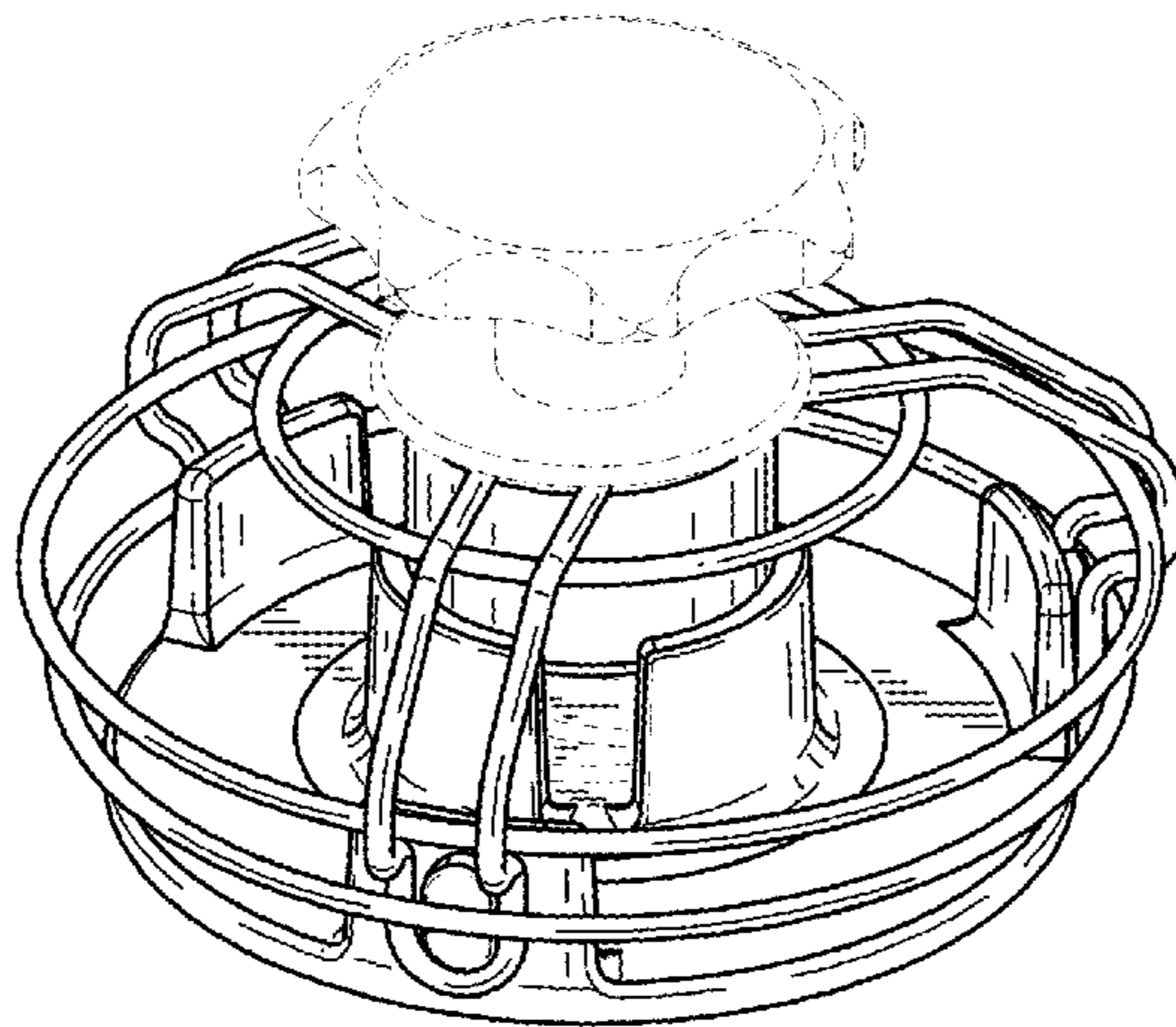
(57) **CLAIM**

The ornamental design for a sear tool, as shown and
described.

DESCRIPTION

FIG. 1 is a top perspective view of an embodiment of a sear
tool;
FIG. 2 is a front view thereof;
FIG. 3 is a back view thereof;
FIG. 4 is a right view thereof;
FIG. 5 is a left view thereof;
FIG. 6 is a top view thereof; and,
FIG. 7 is a bottom view thereof.

(Continued)



The broken dashed lines show various portions and other elements in the Figures for the purpose of illustrating unclaimed portions and form no part of the claimed design.

1 Claim, 5 Drawing Sheets

(56) **References Cited**

U.S. PATENT DOCUMENTS

8,181,640 B2 *	5/2012	Park	A47J 27/00 126/220
D681,888 S *	5/2013	Fang	D30/132
2008/0141869 A1 *	6/2008	Ikeda	A47J 37/0694 99/447

* cited by examiner

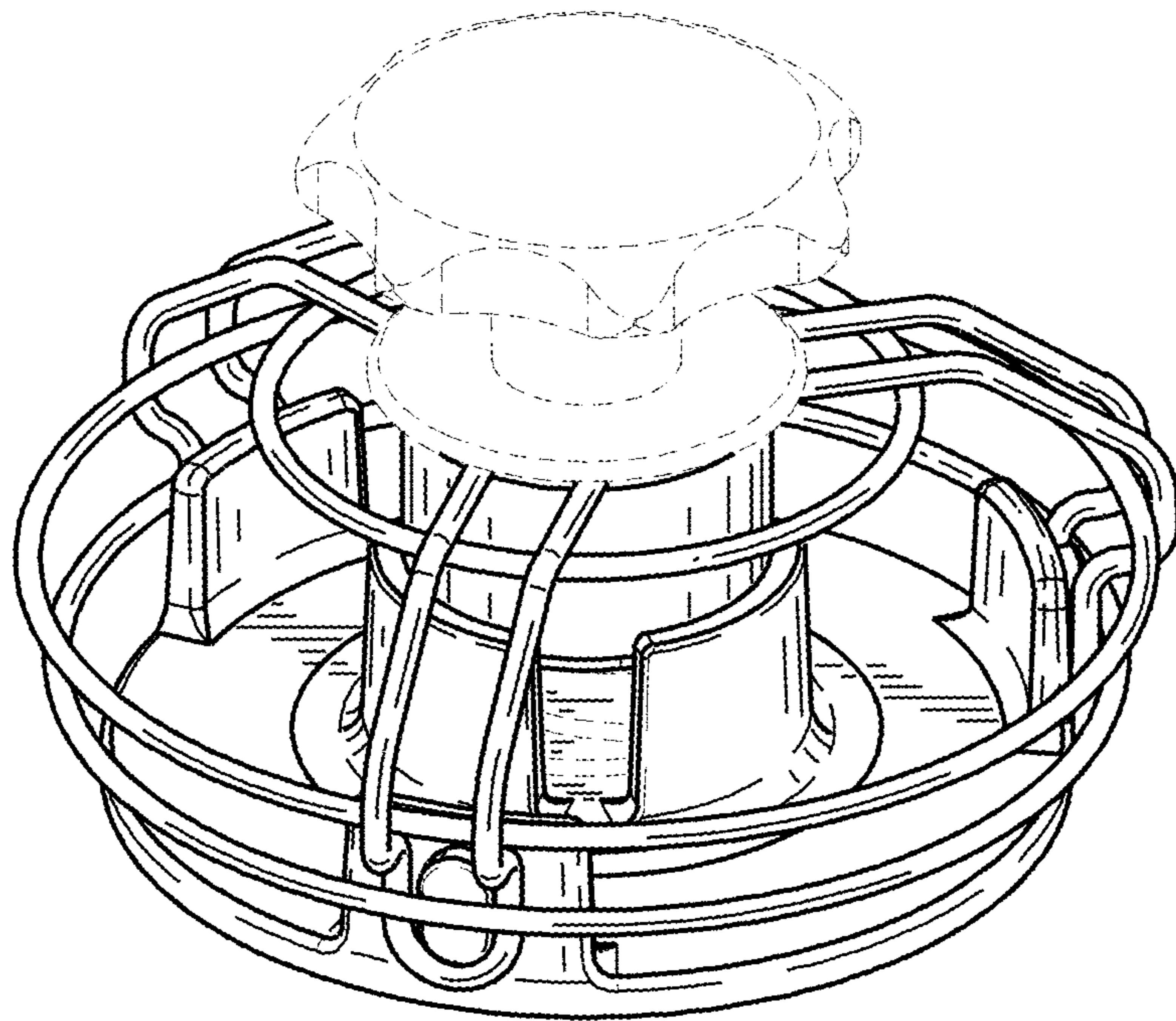


FIG. 1

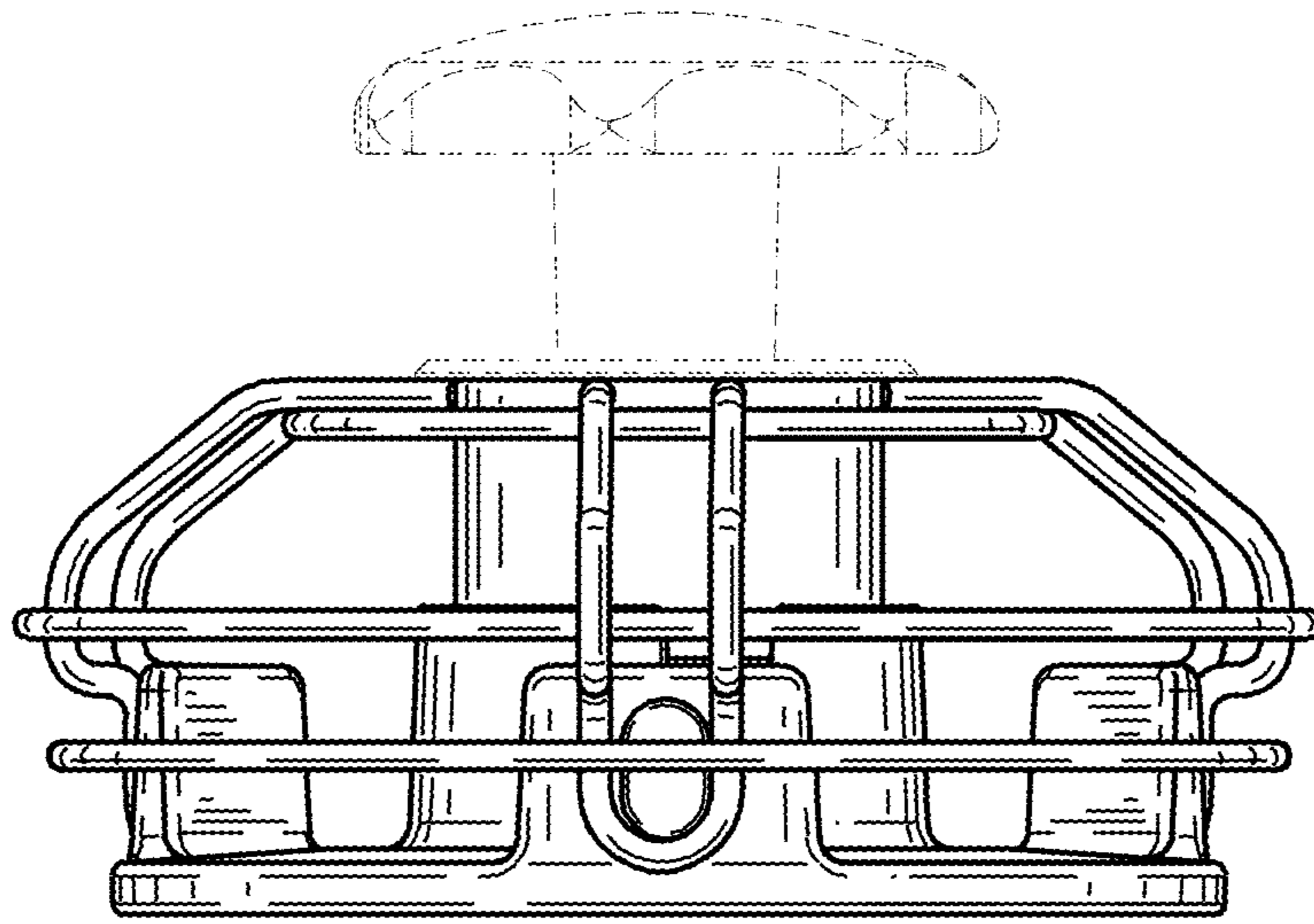


FIG. 2

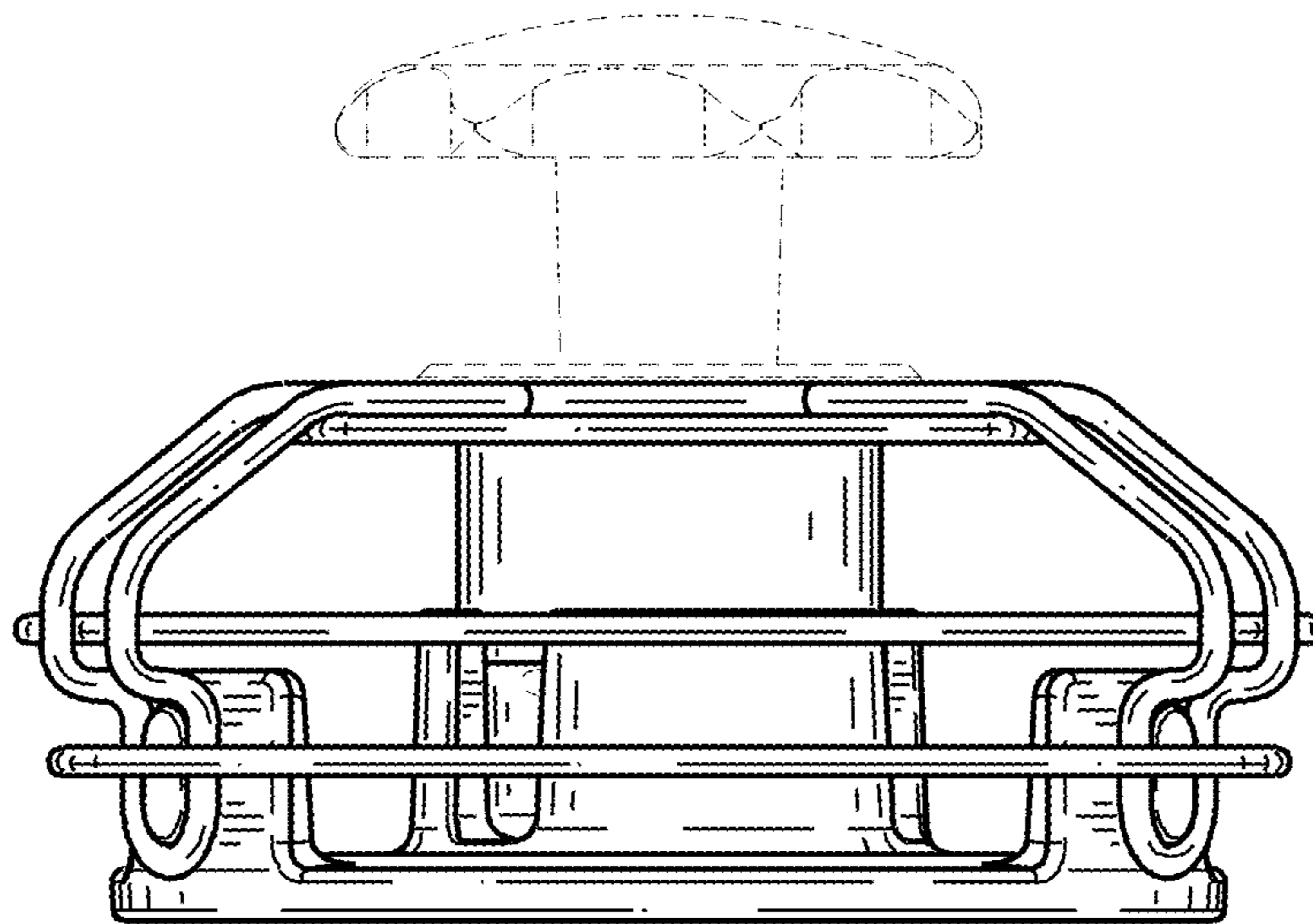


FIG. 3

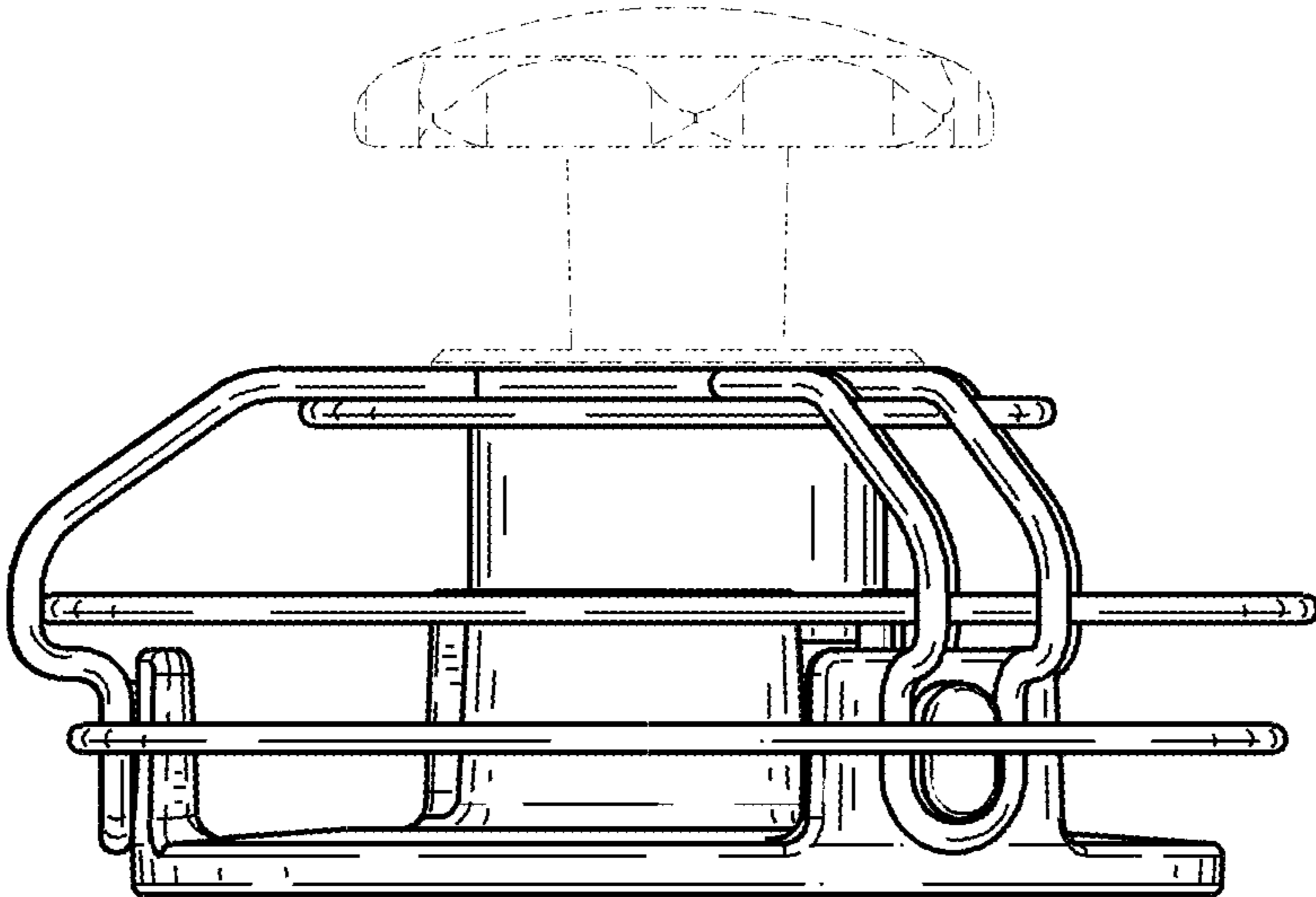


FIG. 4

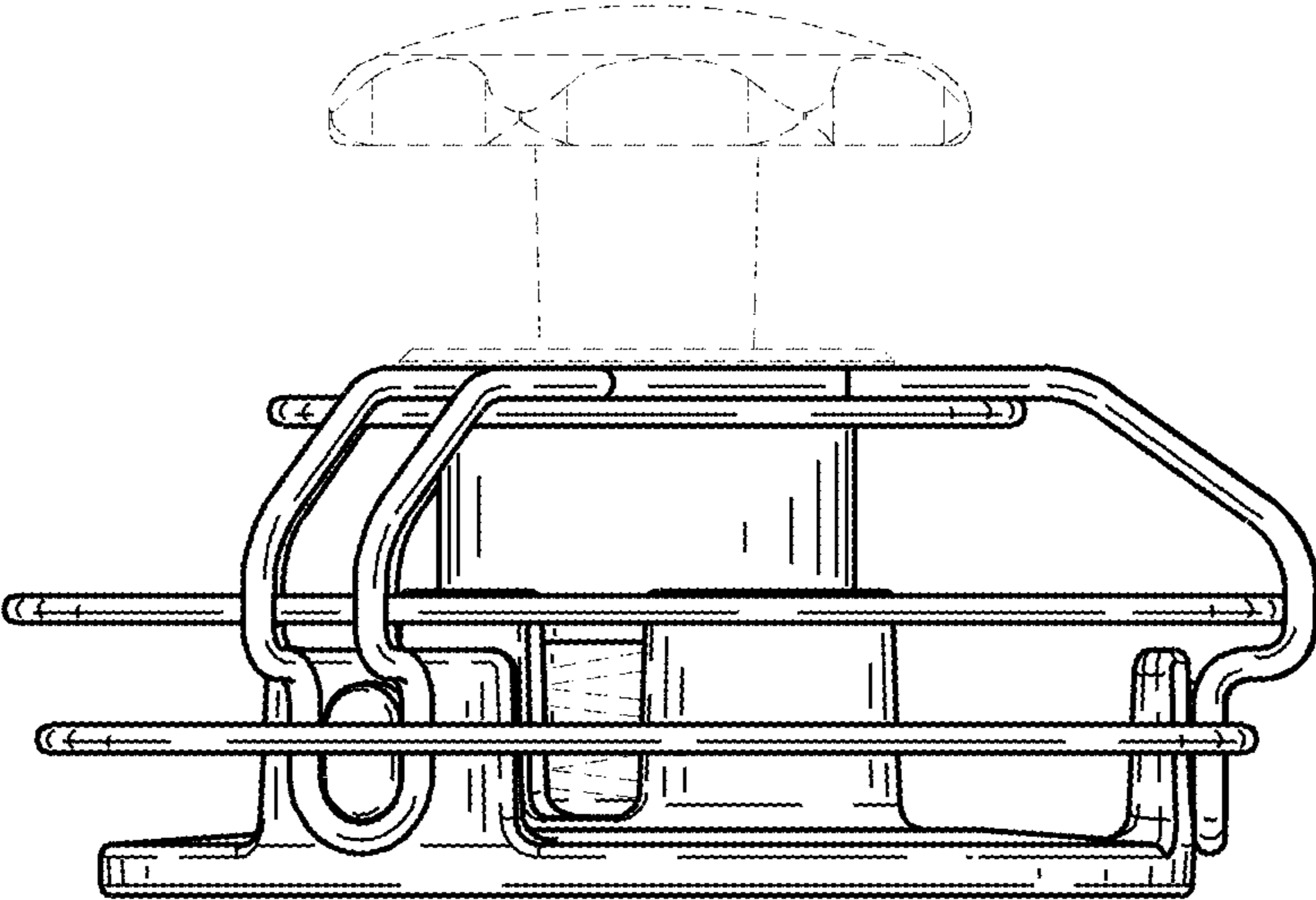


FIG. 5

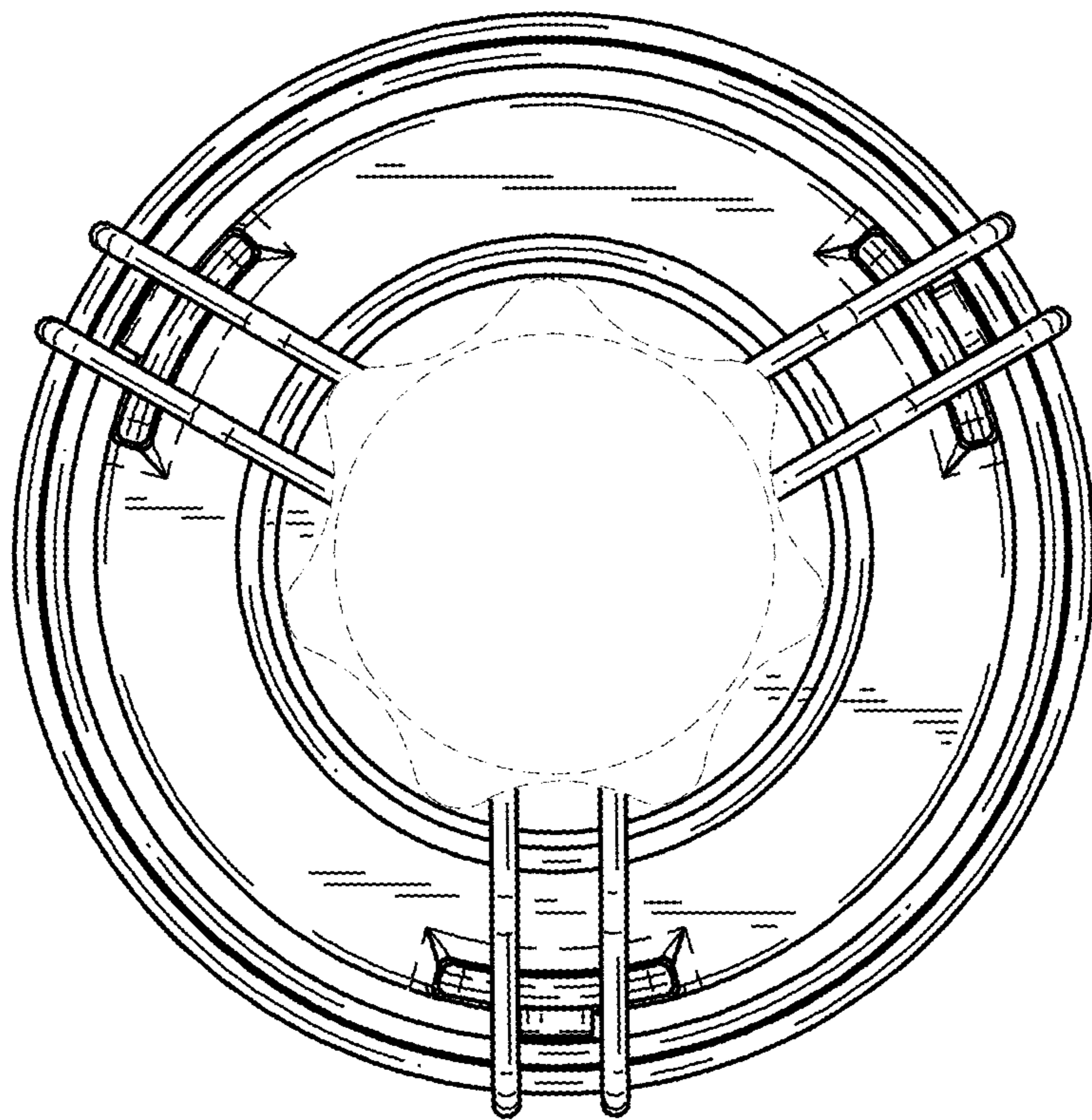


FIG. 6

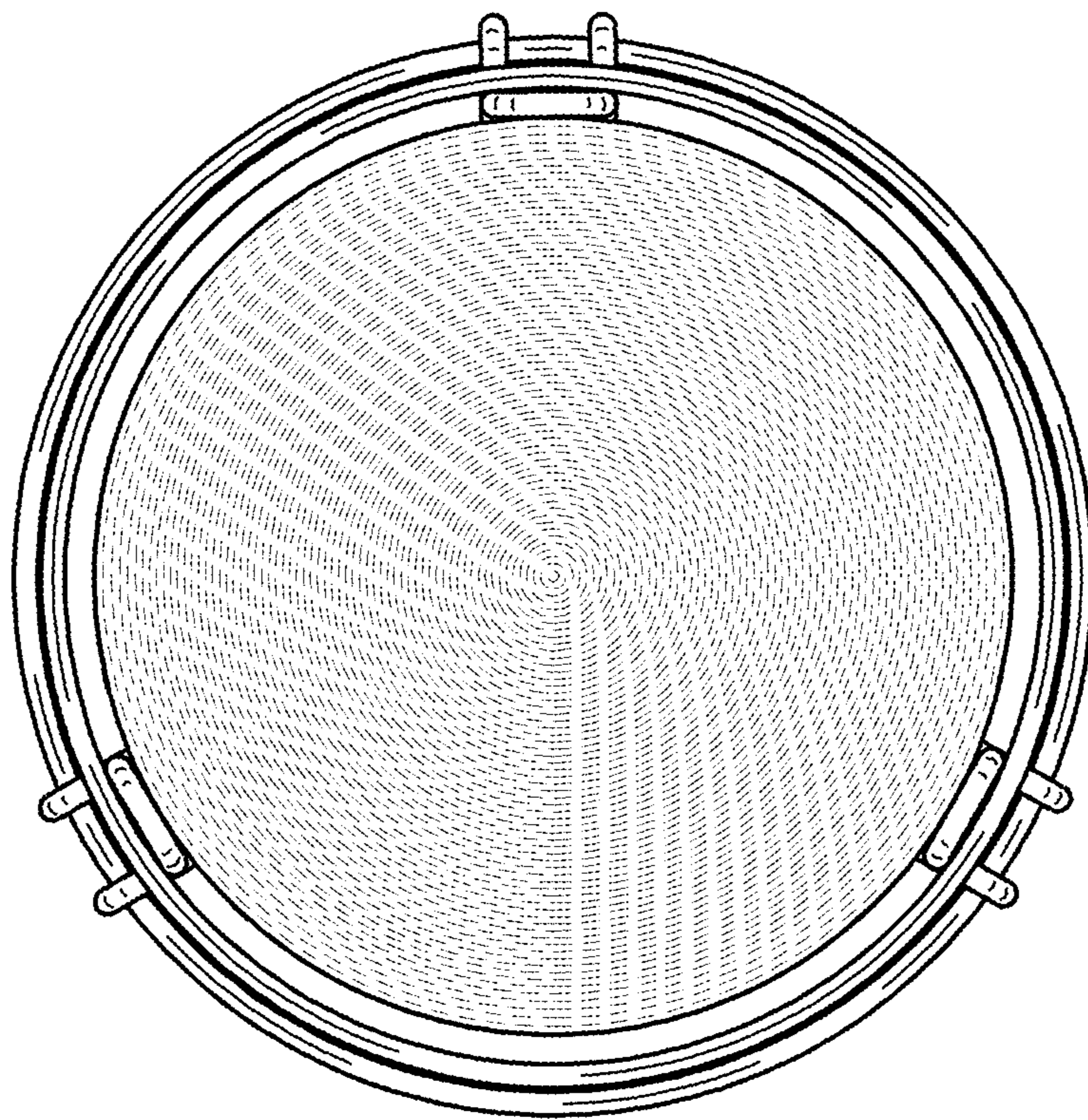


FIG. 7