



US00D789145S

(12) **United States Design Patent**
Blichmann et al.

(10) **Patent No.:** **US D789,145 S**
(45) **Date of Patent:** **** Jun. 13, 2017**

(54) **BURNER ASSEMBLY WITH INTEGRATED HEAT SHIELD**

(71) Applicants: **John Blichmann**, Lafayette, IN (US);
Blichmann Engineering, LLC,
Lafayette, IN (US)

(72) Inventors: **John Blichmann**, Lafayette, IN (US);
Robert P. Fletcher, West Lafayette, IN (US); **Mark Jewell**, Stockwell, IN (US)

(**) Term: **15 Years**

(21) Appl. No.: **29/546,158**

(22) Filed: **Nov. 19, 2015**

(51) **LOC (10) Cl.** **07-02**

(52) **U.S. Cl.**
USPC **D7/407**

(58) **Field of Classification Search**
USPC D7/401, 401.1, 402, 407, 309, 600.1,
D7/602, 332, 334-337, 392.1, 403-405;
D23/335, 342, 386, 415; D26/118;
99/481-482; 126/25 R, 39 C, 41 R, 25 A,
126/29-30, 25 AA, 9 R, 37, 38, 40, 39 E,
126/39 H; 431/264
CPC A47J 37/0713; A47J 37/0682
See application file for complete search history.

(56) **References Cited**

U.S. PATENT DOCUMENTS

- 1,444,770 A * 2/1923 Baker F24C 15/10
126/214 D
- 5,800,159 A * 9/1998 Maughan F23D 14/06
126/39 E
- D416,750 S * 11/1999 Persson D7/337
- 5,992,407 A * 11/1999 Tsai F24C 3/14
126/38
- D424,364 S * 5/2000 Persson D7/337
- D439,801 S * 4/2001 Measom D7/407
- D444,991 S * 7/2001 Measom D7/337

- 6,832,607 B2 * 12/2004 Zhou F23D 14/085
126/30
- D548,513 S * 8/2007 Huang D7/332
- D576,833 S * 9/2008 Mansell D7/332
- D604,097 S * 11/2009 Cutino D7/407
- 8,001,956 B1 8/2011 Bourgeois et al.
- D682,028 S * 5/2013 Preisler D7/407
- 8,459,247 B1 6/2013 Bourgeois et al.

(Continued)

FOREIGN PATENT DOCUMENTS

CN 202283197 U 6/2012

OTHER PUBLICATIONS

Brewhardware. "Overheating Sightglass? Heatshield is the solution." Online video clip. YouTube. Posted Jun. 5, 2011. Retrieved Dec. 1, 2015 <<https://www.youtube.com/watch?v=c5p-JYSLXRA>>.

(Continued)

Primary Examiner — Robin V Webster
Assistant Examiner — Rachel Voorhies

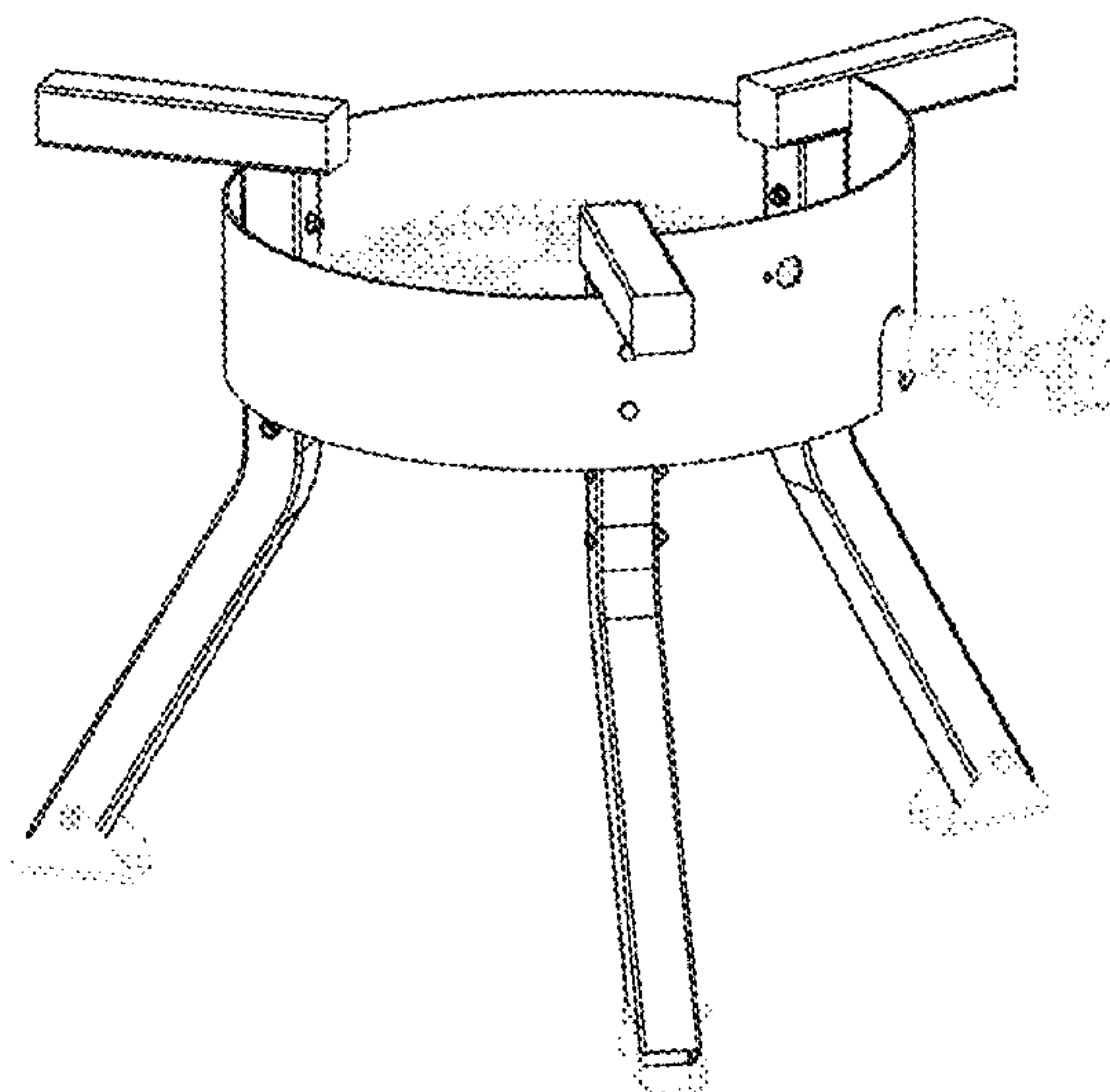
(57) **CLAIM**

The ornamental design for a burner assembly with integrated heat shield, as shown and described.

DESCRIPTION

FIG. 1 is a perspective view of a burner assembly with integrated heat shield, showing our new design; FIG. 2 is a front perspective view of a burner assembly with integrated heat shield, showing our new design; FIG. 3 is rear perspective view of a burner assembly with integrated heat shield, showing our new design; and, FIG. 4 is top perspective view of a burner assembly with integrated heat shield, showing our new design. The broken line showing of the burner assembly illustrates the environment of the claimed design and forms no part thereof.

1 Claim, 4 Drawing Sheets



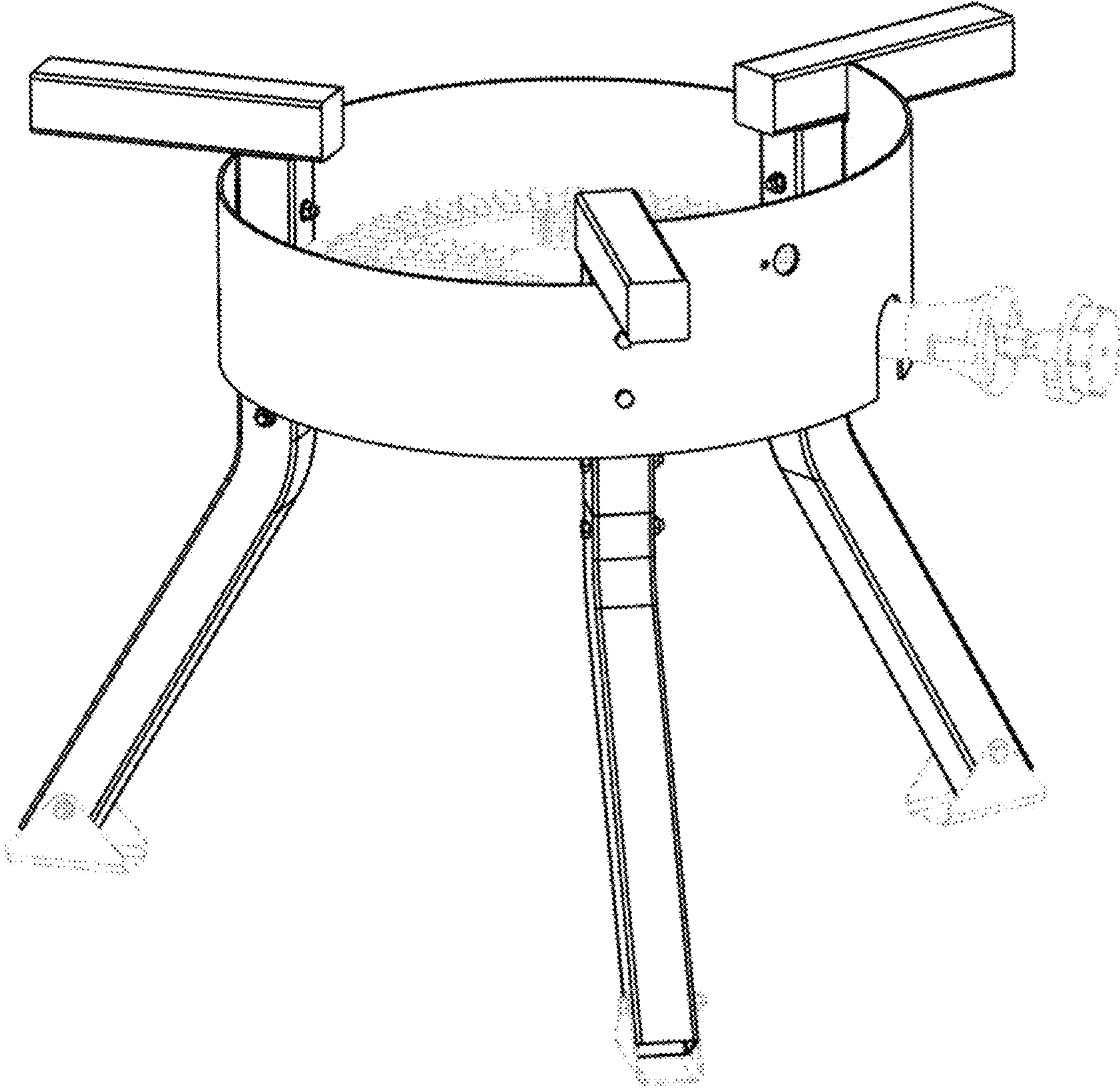


Figure 1

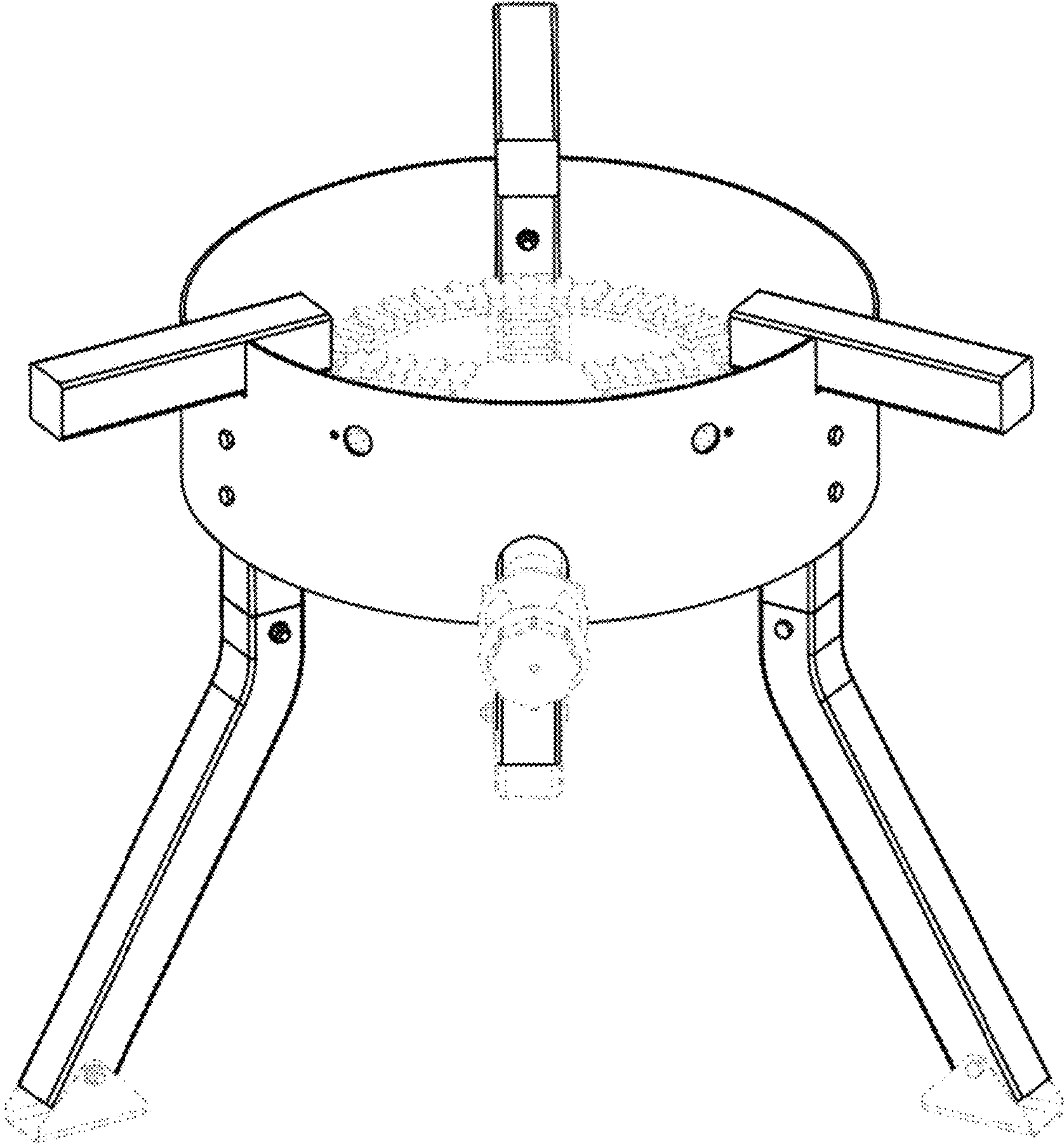


Figure 2

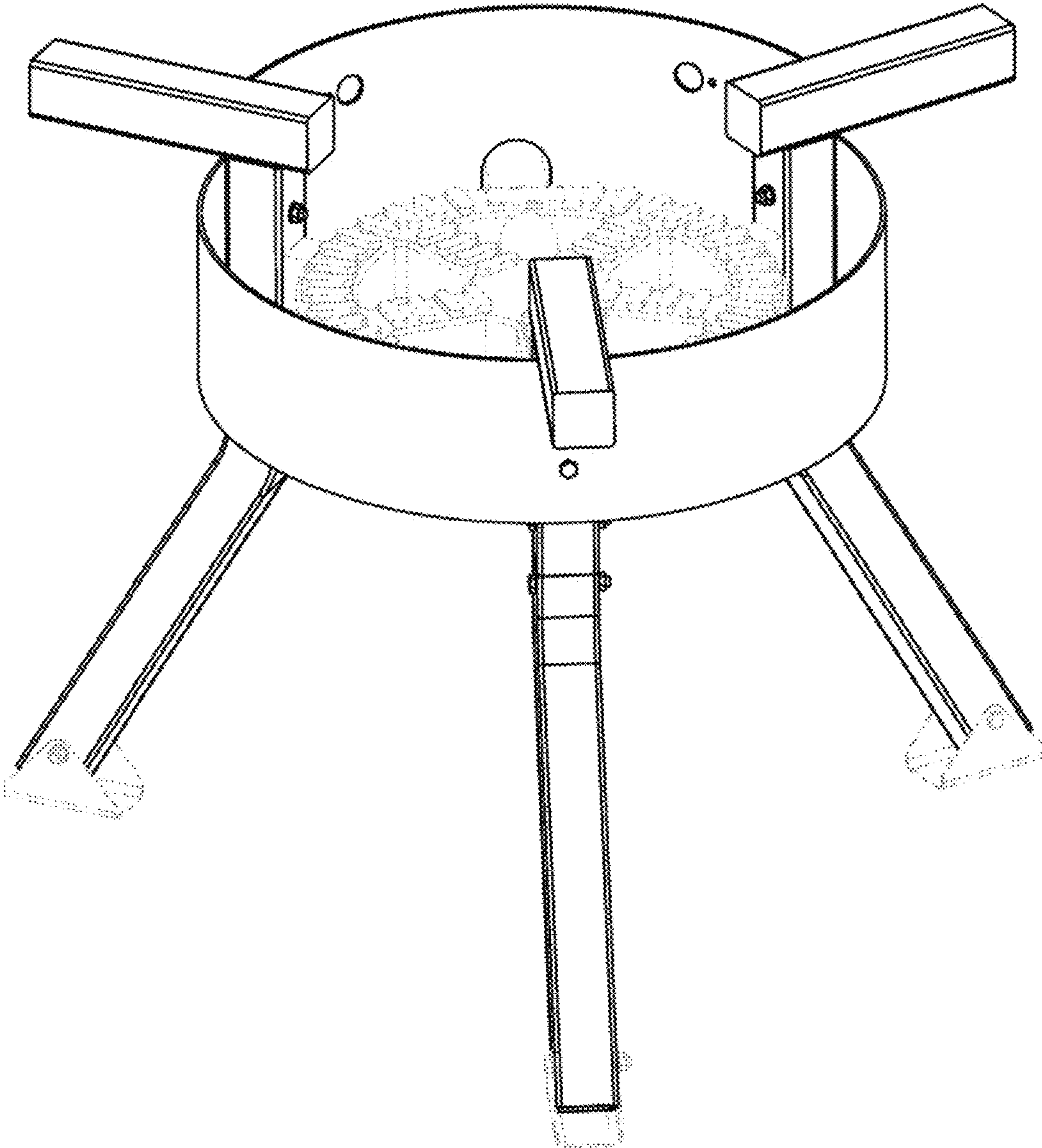


Figure 3

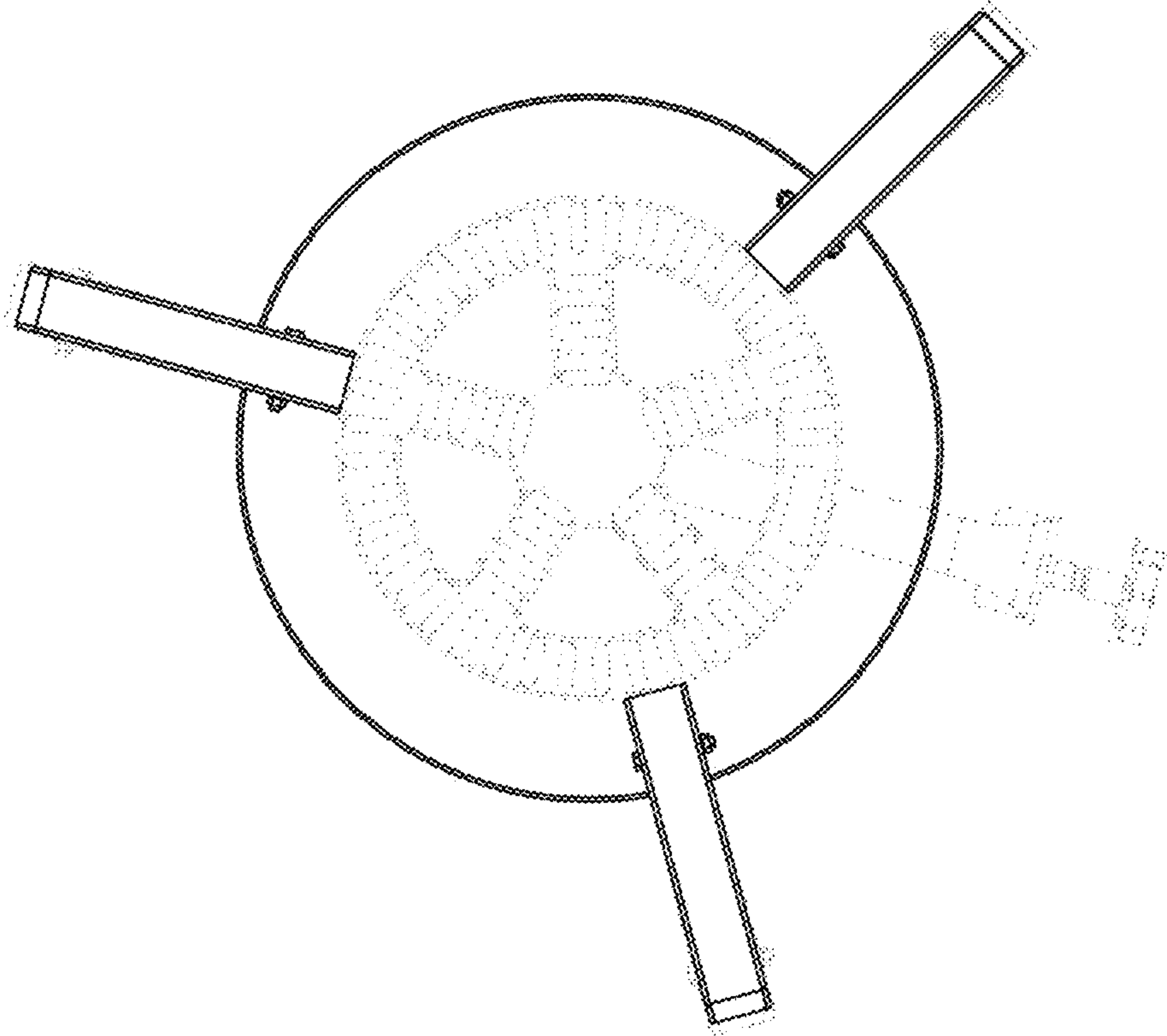


Figure 4