



US00D789144S

(12) **United States Design Patent** (10) **Patent No.:** **US D789,144 S**  
**Prats** (45) **Date of Patent:** **\*\* Jun. 13, 2017**

(54) **PRESSURE COOKER CONTROL PANEL WITH SURFACE ORNAMENTATION**

(71) Applicant: **TRISTAR PRODUCTS, INC.**,  
Fairfield, NJ (US)

(72) Inventor: **Jorge Prats**, Fairfield, NJ (US)

(73) Assignee: **Tristar Products, Inc.**, Fairfield, NJ (US)

(\*\*) Term: **14 Years**

(21) Appl. No.: **29/512,986**

(22) Filed: **Dec. 24, 2014**

(51) **LOC (10) Cl.** ..... **07-02**

(52) **U.S. Cl.**  
USPC ..... **D7/406; D7/358**

(58) **Field of Classification Search**  
USPC ..... D7/331-337, 352-358, 359-360, 351, D7/402, 406, 378, 384, 386, 412; D10/15, 40; D32/28  
CPC ..... A47J 27/004; A47J 27/0802; A47J 27/09; A47J 27/08; A47J 27/0804; A47J 37/1266  
See application file for complete search history.

(56) **References Cited**

U.S. PATENT DOCUMENTS

D358,343 S \* 5/1995 Weichhold ..... D10/15  
D476,240 S \* 6/2003 Kuramochi ..... D10/40  
D505,293 S \* 5/2005 Jung ..... D7/354  
D568,101 S \* 5/2008 Kaney ..... D7/406

D632,128 S \* 2/2011 Lam ..... D7/354  
D646,114 S \* 10/2011 Wong ..... D7/354  
D705,507 S \* 5/2014 Cho ..... D32/28  
D711,688 S \* 8/2014 Prats ..... D7/378  
D741,652 S \* 10/2015 Bizien ..... D7/378  
2008/0083730 A1\* 4/2008 Dolgov ..... A47J 27/004  
219/432

\* cited by examiner

*Primary Examiner* — Susan Bennett Hattan

*Assistant Examiner* — Brett Miller

(74) *Attorney, Agent, or Firm* — Adler Pollock & Sheehan P.C.; Daniel J. Holmänder; George N. Chaclas

(57) **CLAIM**

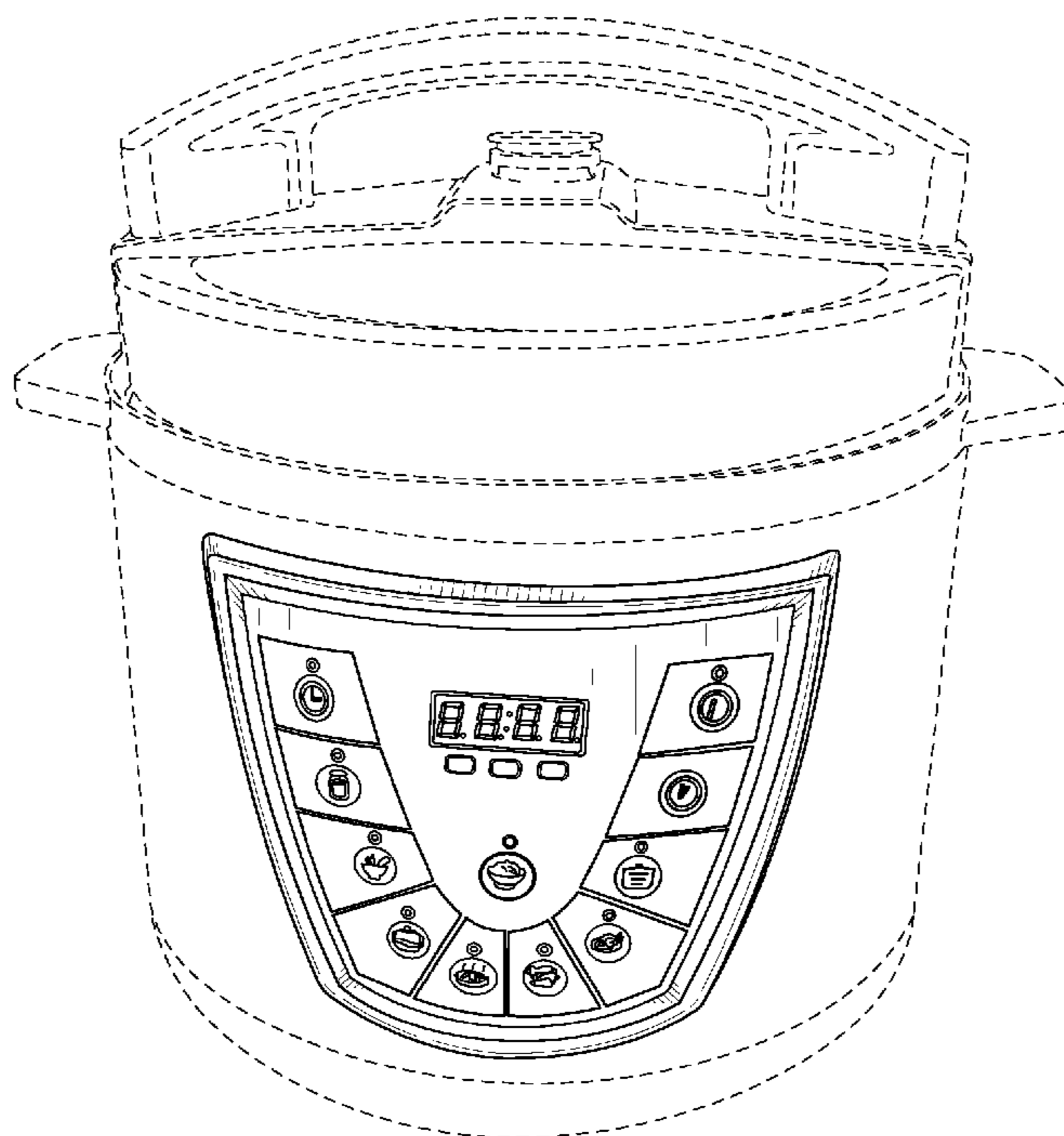
The ornamental design for a pressure cooker control panel with surface ornamentation, as shown and described.

**DESCRIPTION**

FIG. 1 is a perspective view of the pressure cooker control panel with surface ornamentation in accordance with the present invention;  
FIG. 2 is a front elevation view thereof;  
FIG. 3 is a rear elevation view thereof;  
FIG. 4 is a right side elevation view thereof;  
FIG. 5 is a left side elevation view thereof;  
FIG. 6 is a top view thereof; and,  
FIG. 7 is a bottom view thereof.

The elements depicted in broken line in the various figures are included for environmental purposes only, and form no part of the claimed design.

**1 Claim, 7 Drawing Sheets**



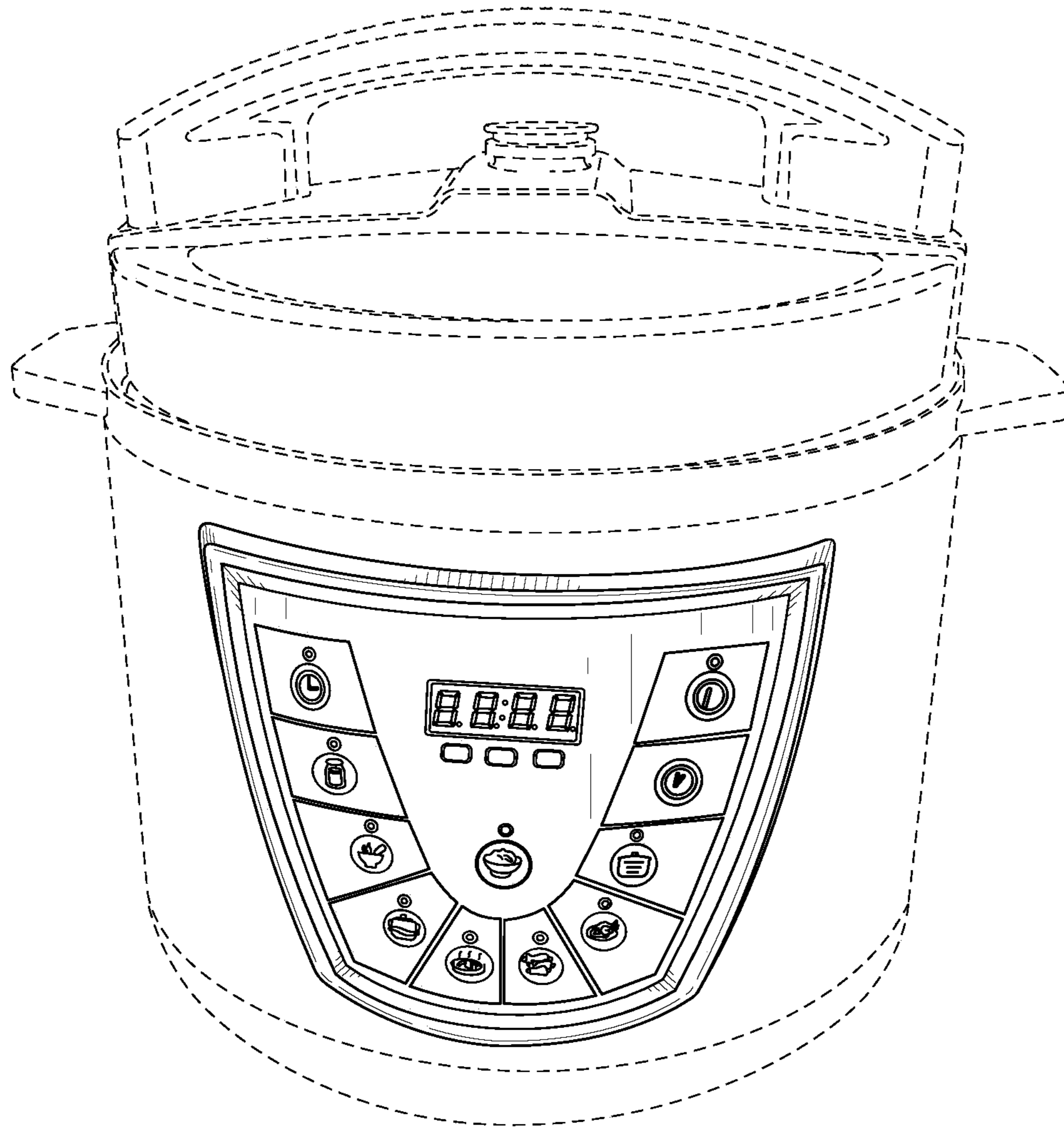


FIG. 1

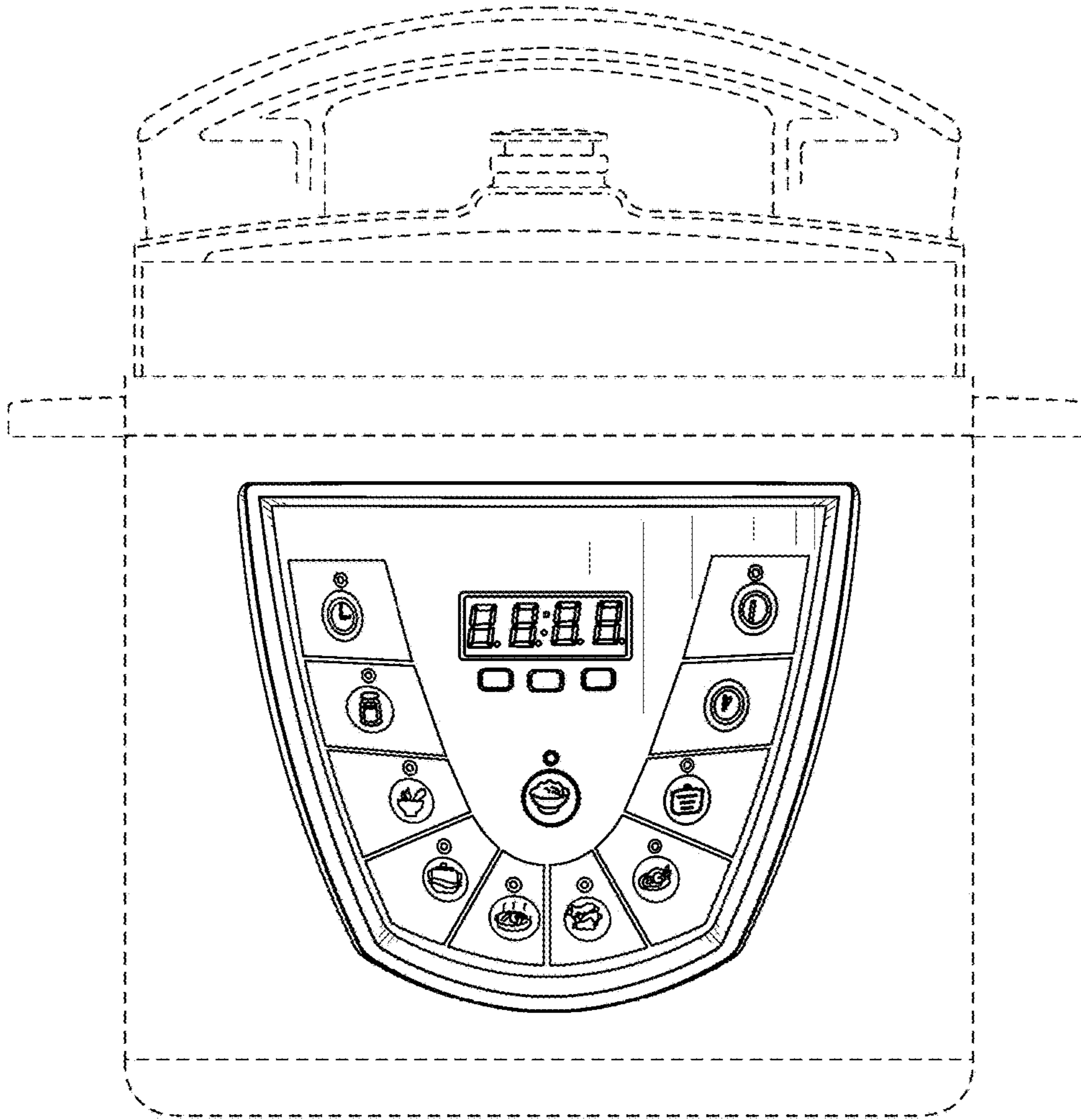


FIG. 2

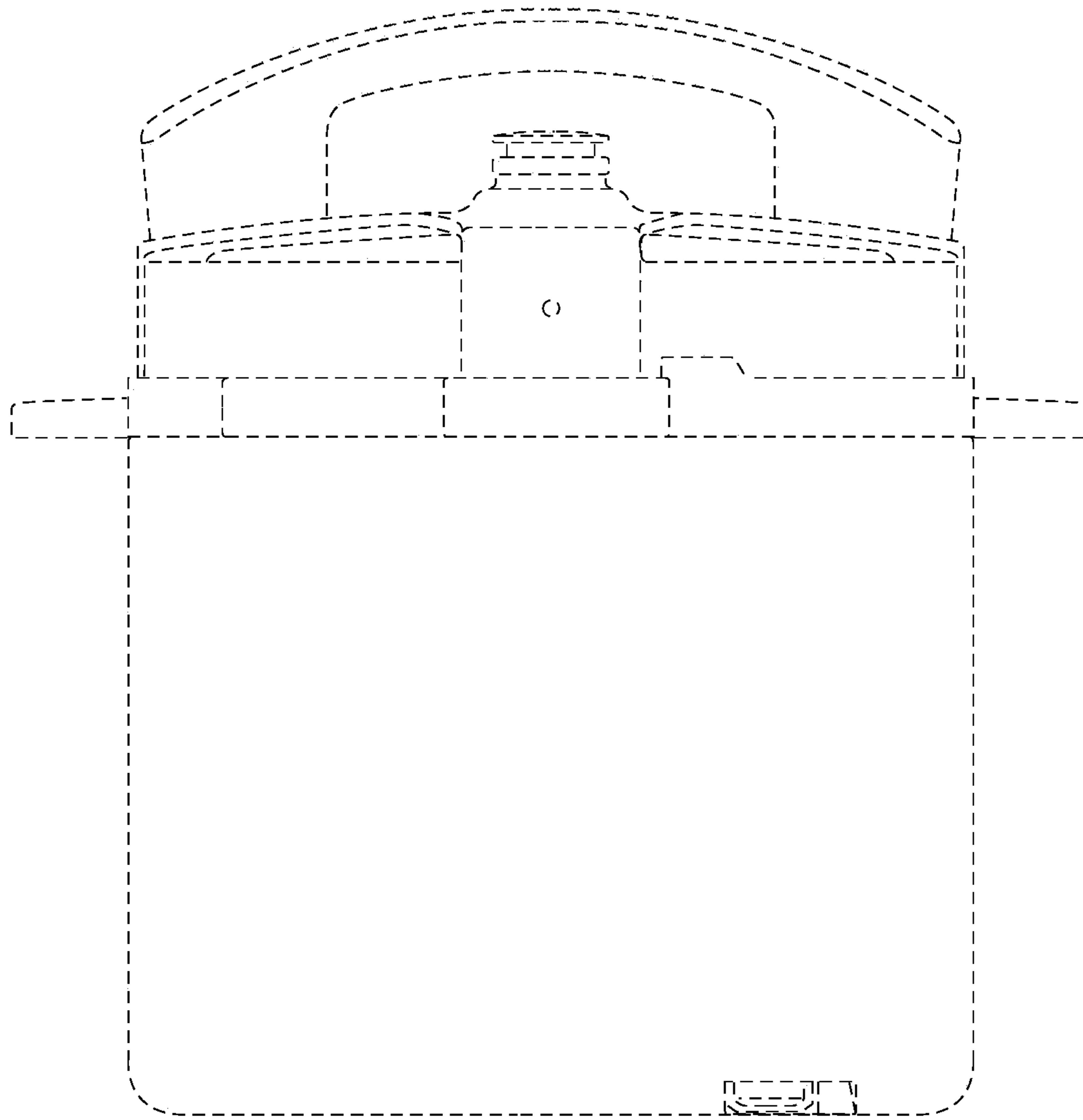


FIG. 3

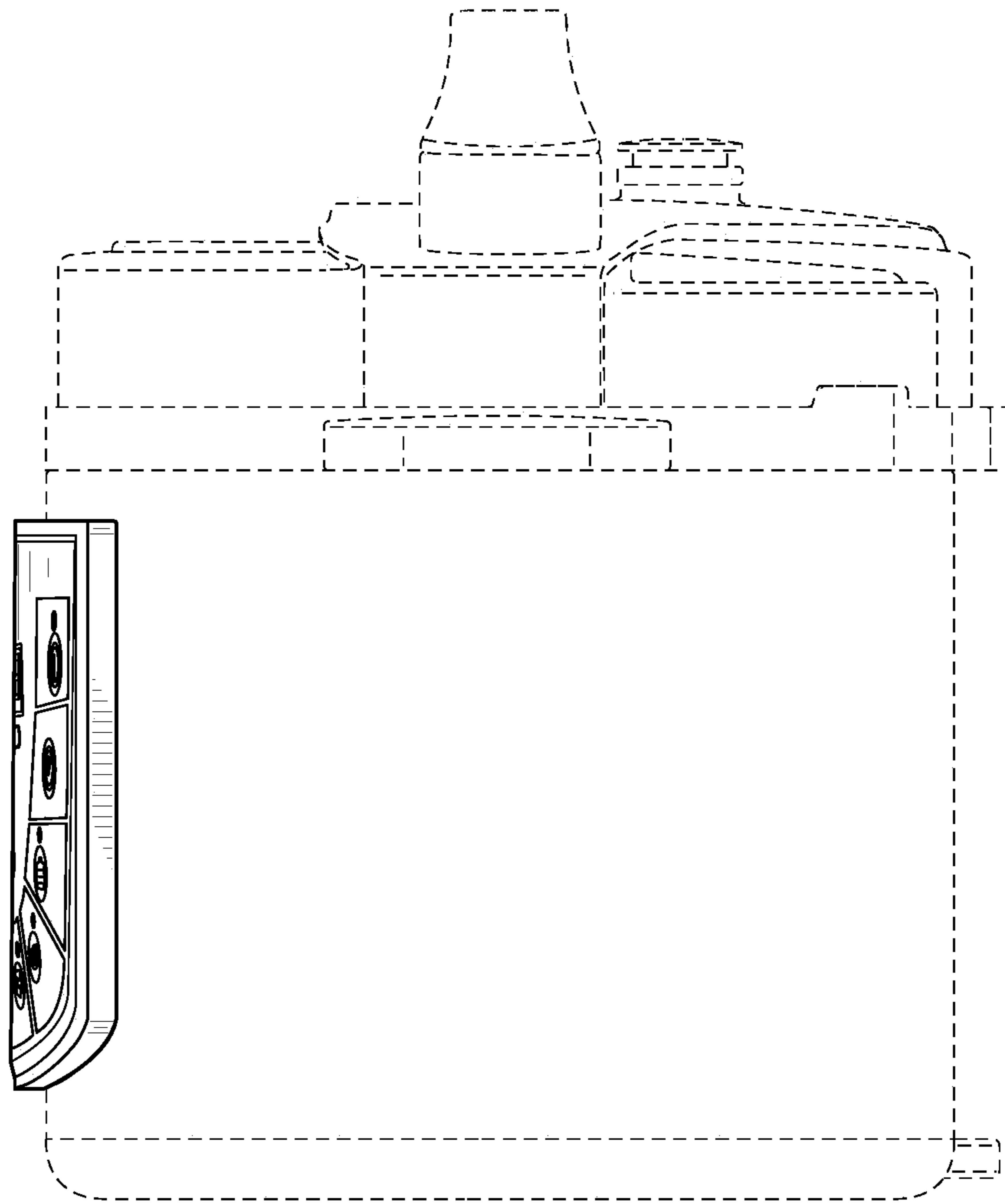


FIG. 4

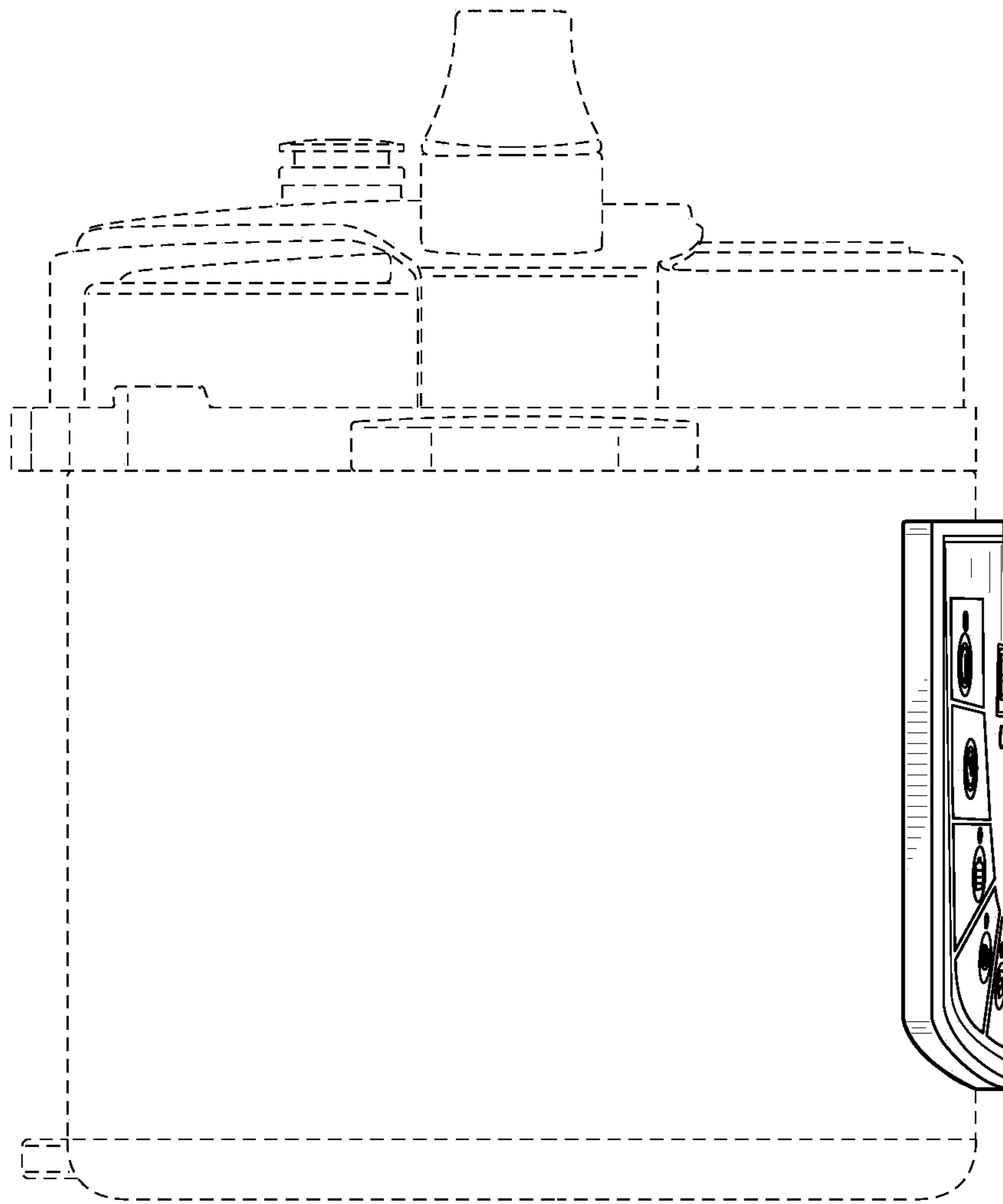


FIG. 5

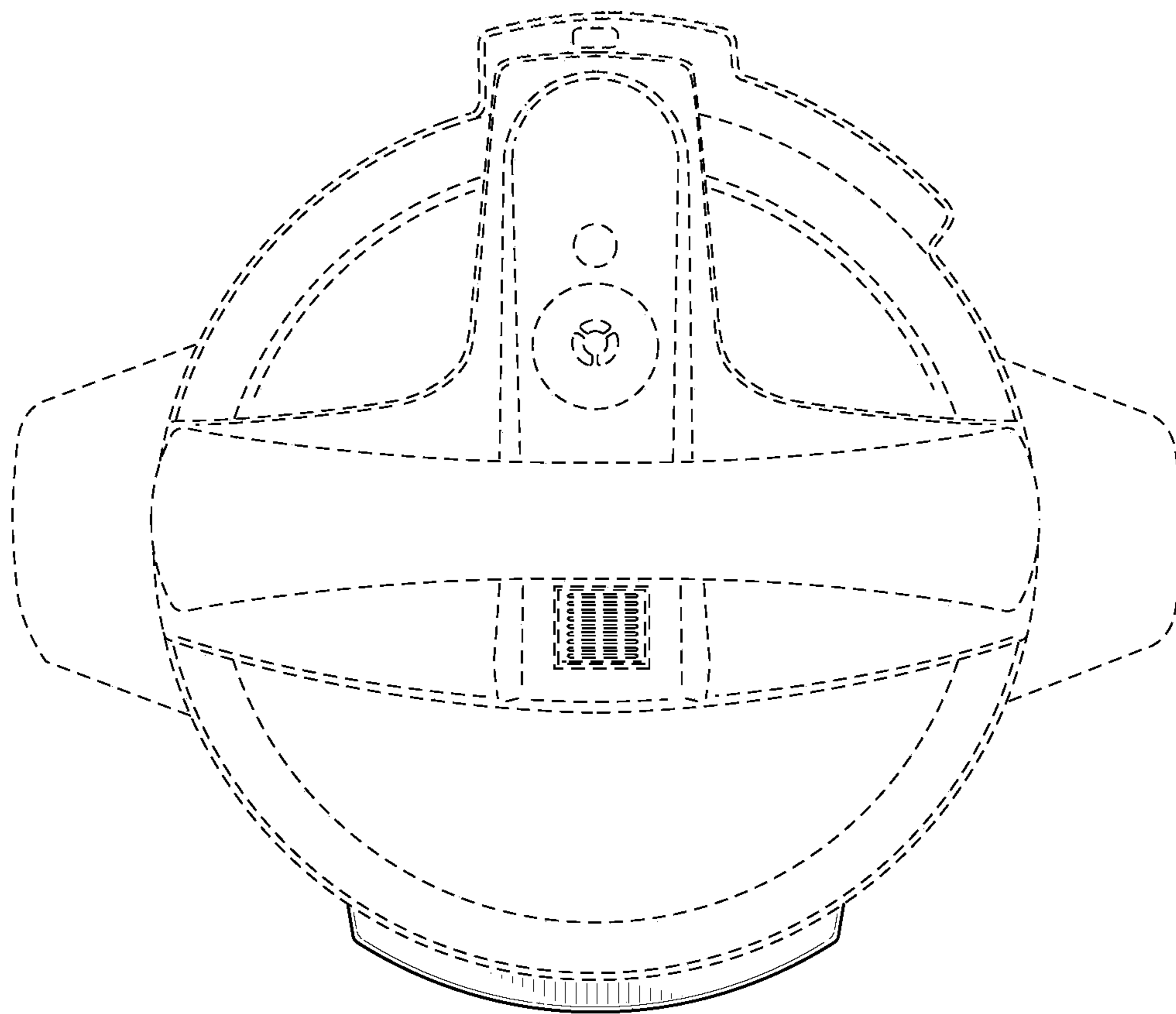


FIG. 6

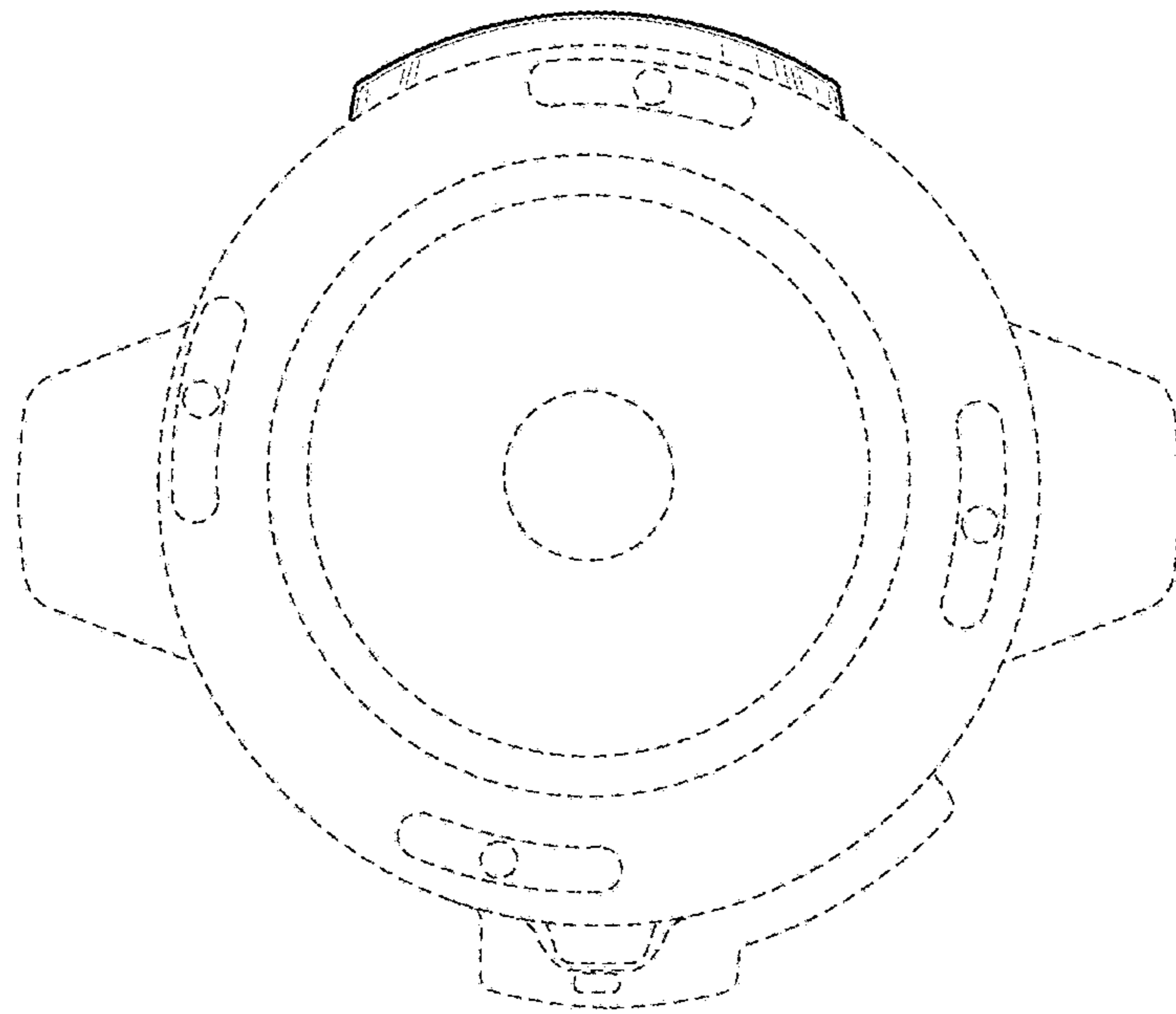


FIG. 7