



US00D789138S

(12) **United States Design Patent**
LeCheminant

(10) **Patent No.:** **US D789,138 S**

(45) **Date of Patent:** **** Jun. 13, 2017**

(54) **EGG BOILER**

(71) Applicant: **Robert D. LeCheminant**, Bluffdale,
UT (US)

(72) Inventor: **Robert D. LeCheminant**, Bluffdale,
UT (US)

(**) Term: **15 Years**

(21) Appl. No.: **29/560,440**

(22) Filed: **Apr. 6, 2016**

(51) **LOC (10) Cl.** **07-02**

(52) **U.S. Cl.**
USPC **D7/354**

(58) **Field of Classification Search**
USPC D7/332-334, 352-355, 357, 359-360,
D7/362-365, 367-368, 372, 376-378,
D7/381-384, 386, 402, 407, 412, 602,
D7/605, 611, 629, 669; D9/420,
D9/424-426, 503-504, 643, 756-757,
D9/761-762

CPC .. A21B 3/13; A21B 5/023; A47J 27/60; A47J
27/62; A47J 3704/06; A47J 3704/067;
A47J 3704/0605; A47J 3704/0611; A47J
3704/0623; A47J 3704/0629; A47J
3704/0676; A47J 2037/06; A47J
2037/0611; F24C 15/10; F24C 15/102;
H05B 6/02; H05B 6/062

See application file for complete search history.

(56) **References Cited**

U.S. PATENT DOCUMENTS

- 2,226,844 A * 12/1940 Carr A47J 29/00
249/120
- 3,831,508 A * 8/1974 Wallard A47G 19/28
220/573.1
- D273,766 S * 5/1984 Lampe D9/424
- 5,287,979 A * 2/1994 Bourgeois A47G 19/28
206/509
- D423,869 S * 5/2000 Dadez D7/354

- D608,160 S * 1/2010 Colbert D7/628
- D651,864 S * 1/2012 Bennett D7/628
- D714,093 S * 9/2014 Browning D7/354
- D747,621 S * 1/2016 Amerson D7/354

(Continued)

FOREIGN PATENT DOCUMENTS

JP 09065979 A * 3/1997

OTHER PUBLICATIONS

Eggies Hard Boil Egg Cooker 6 Eggies with Bonus Egg White Separator, posted at dhgate.com, posted on Nov. 5, 2013, site visited Mar. 27, 2017, <<http://www.dhgate.com/product/eggies-hard-boil-egg-cooker-6-eggies-with/168589793.html>>.*

(Continued)

Primary Examiner — Barbara Fox
Assistant Examiner — Messina L Smith
(74) *Attorney, Agent, or Firm* — RG Patent Consulting, LLC; Rachel Gilboy

(57) **CLAIM**

The ornamental design for an egg boiler, as shown and described.

DESCRIPTION

FIG. 1 is a perspective view of an egg boiler with the top portion and the bottom portion coupled together, showing my new design.

FIG. 2 is a perspective view of the egg boiler with the top portion uncoupled and raised from the bottom portion;

FIG. 3 is a front elevation view of the egg boiler with the top portion and the bottom portion coupled together;

FIG. 4 is a rear elevation view thereof;

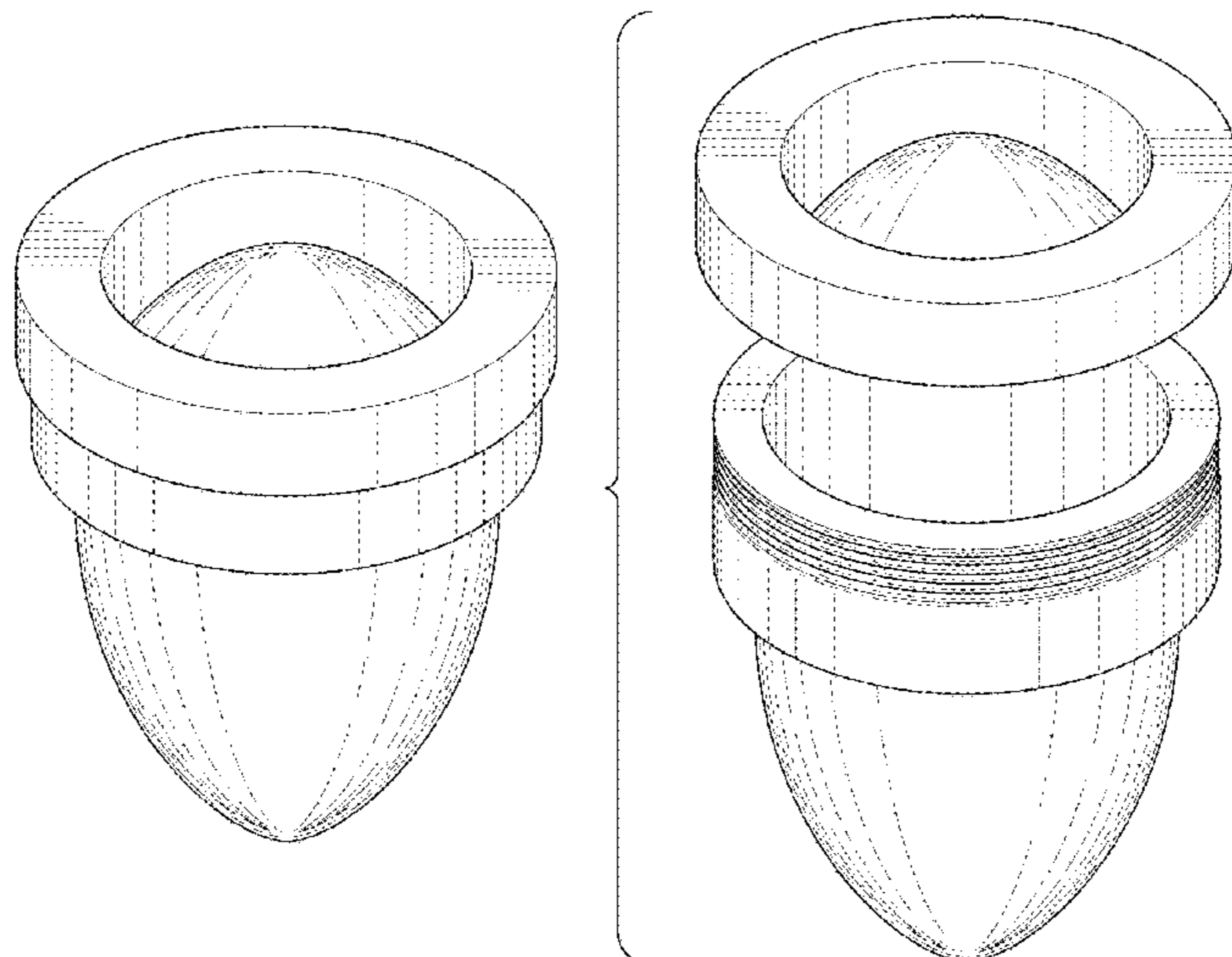
FIG. 5 is a right elevation view thereof;

FIG. 6 is a left elevation view thereof;

FIG. 7 is a top plan view thereof; and,

FIG. 8 is a bottom plan view thereof.

1 Claim, 8 Drawing Sheets



(56)

References Cited

U.S. PATENT DOCUMENTS

D771,430 S * 11/2016 Yip D7/354
2012/0103199 A1 * 5/2012 Kaufman A47J 29/02
99/426

OTHER PUBLICATIONS

Easy Egg Boiler, posted at inventvillage.com, no posting date given, site visited Mar. 27, 2017, <<http://inventvillage.com/easy-egg-boiler/>>.*

Best Set of 2 Quick and Easy Microwave Oven Egg Cooker, posted at alibaba.com, posted on © 1999-2017, site visited Mar. 27, 2017, see below for link.*

<https://guide.alibaba.com/shop/best-set-of-2-quick-and-easy-microwave-oven-egg-cooker-parboiler-boiler-poacher-satisfaction-guaranteed-perfect-for-standalone-eggs-or-eggs-for-making-eggs-benedict-deviled-eggs-and-meurette-dishwasher-safe-2-pack-convenient-fast-breakfast-removable-lid-for-easy-use_3243974.html>.*

* cited by examiner

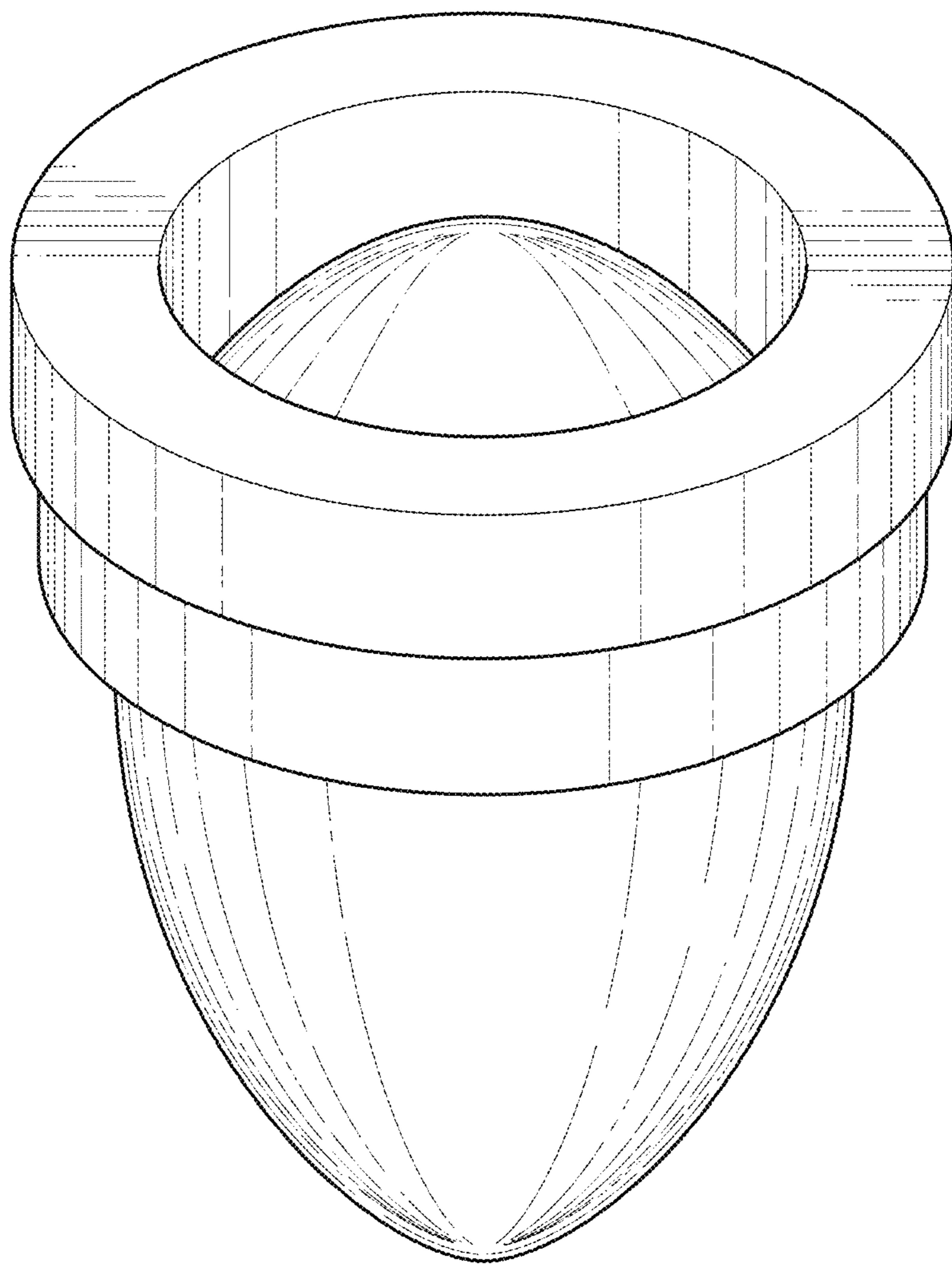


FIG. 1

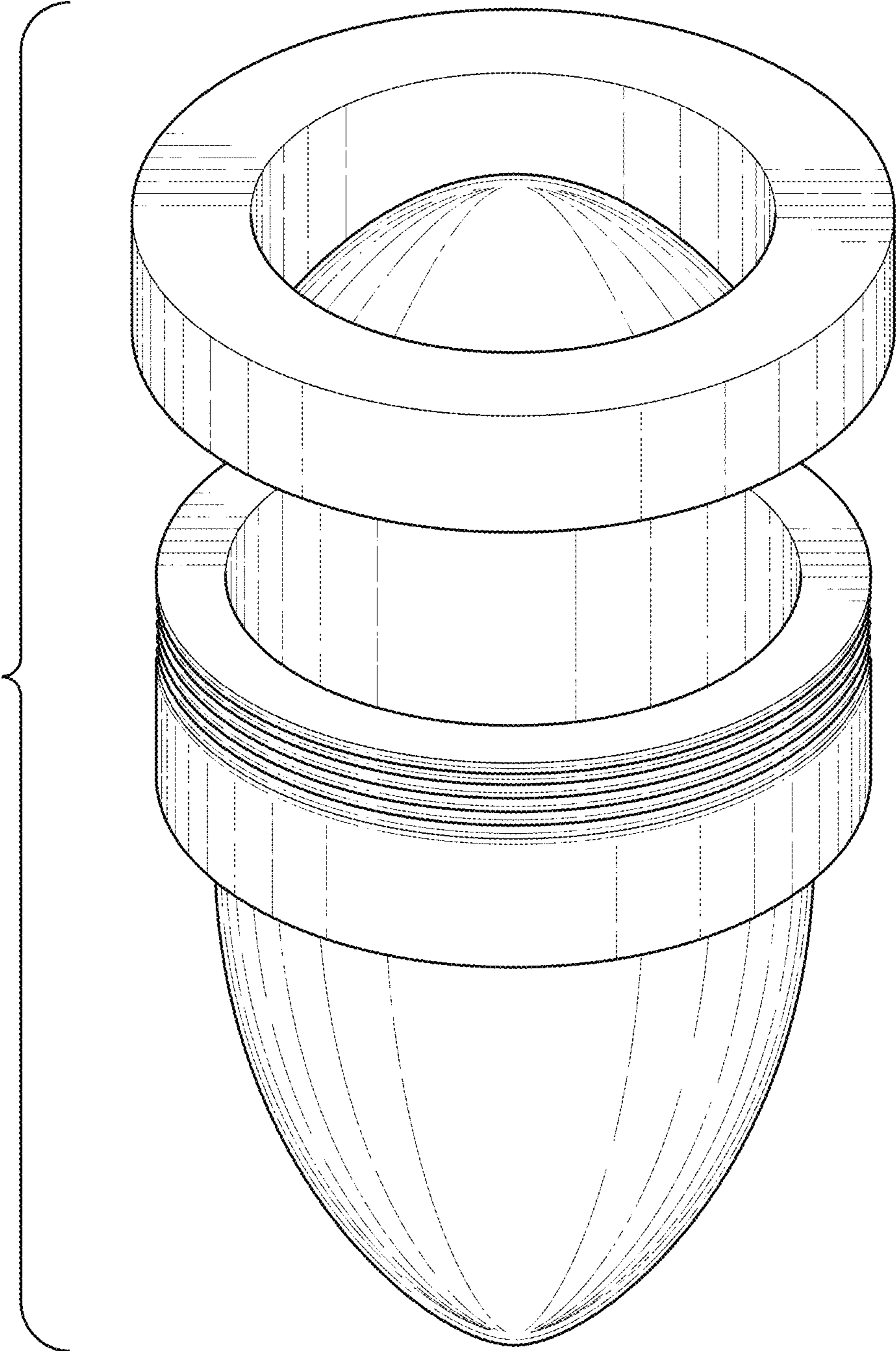


FIG. 2

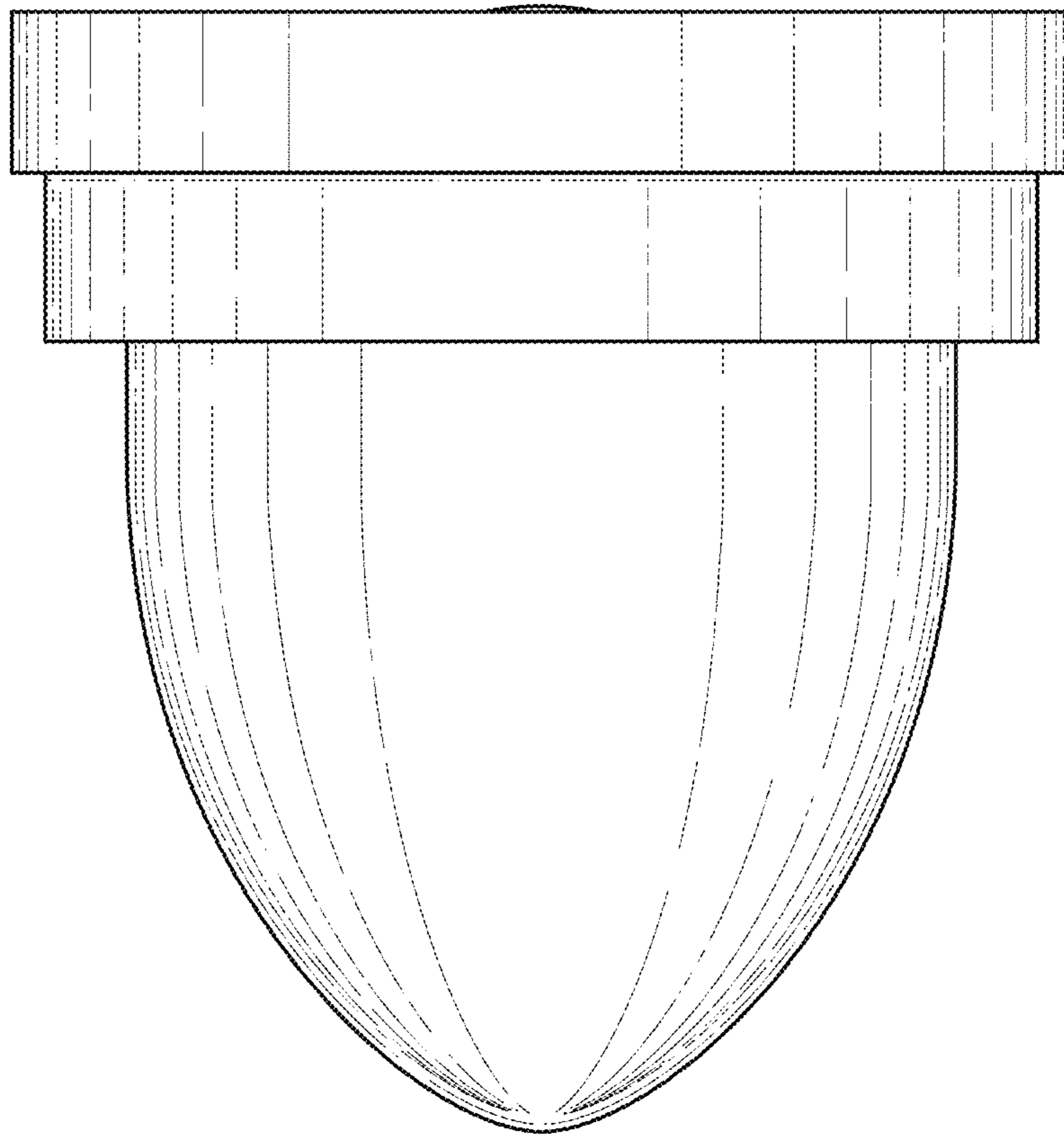


FIG. 3

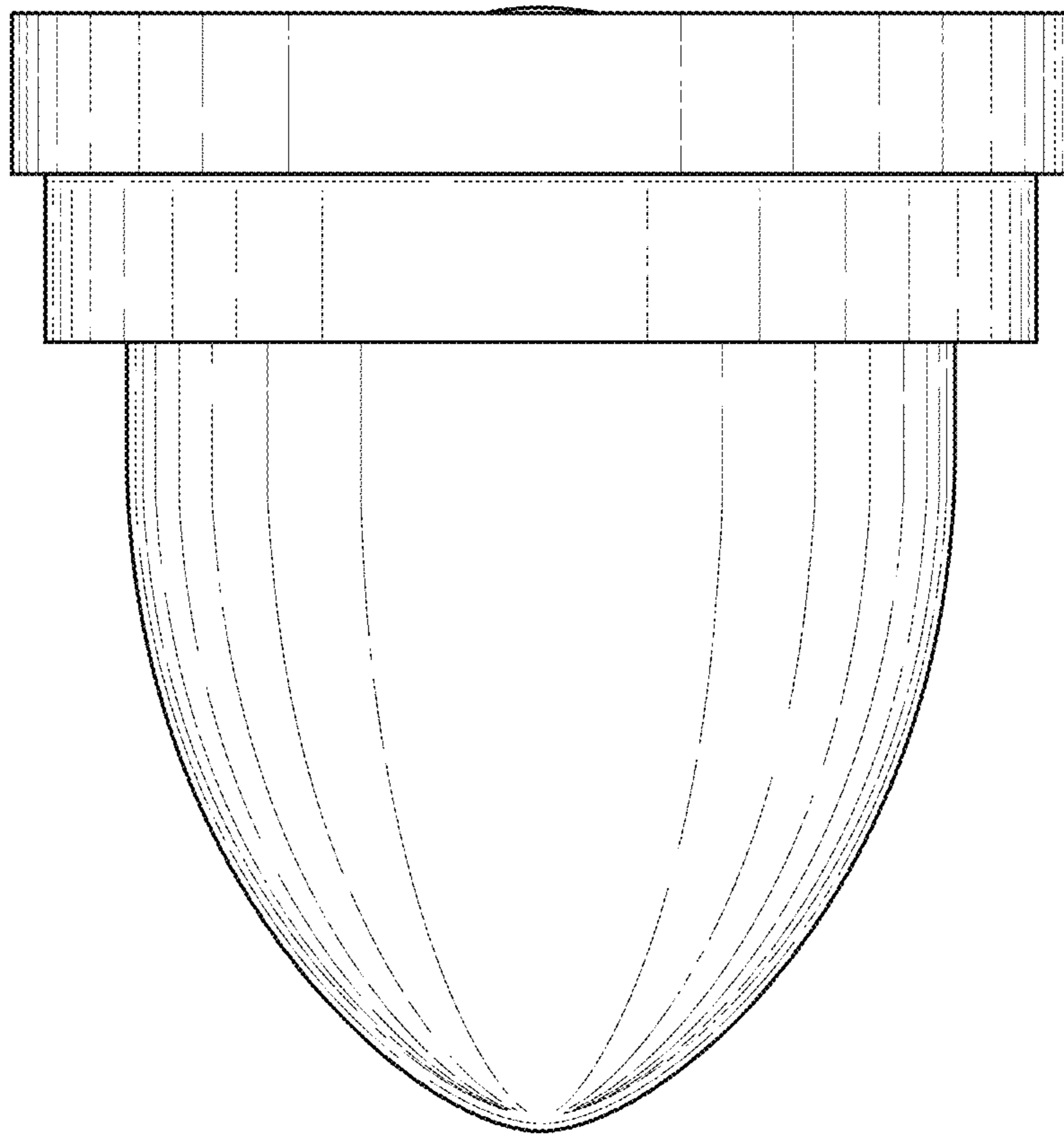


FIG. 4

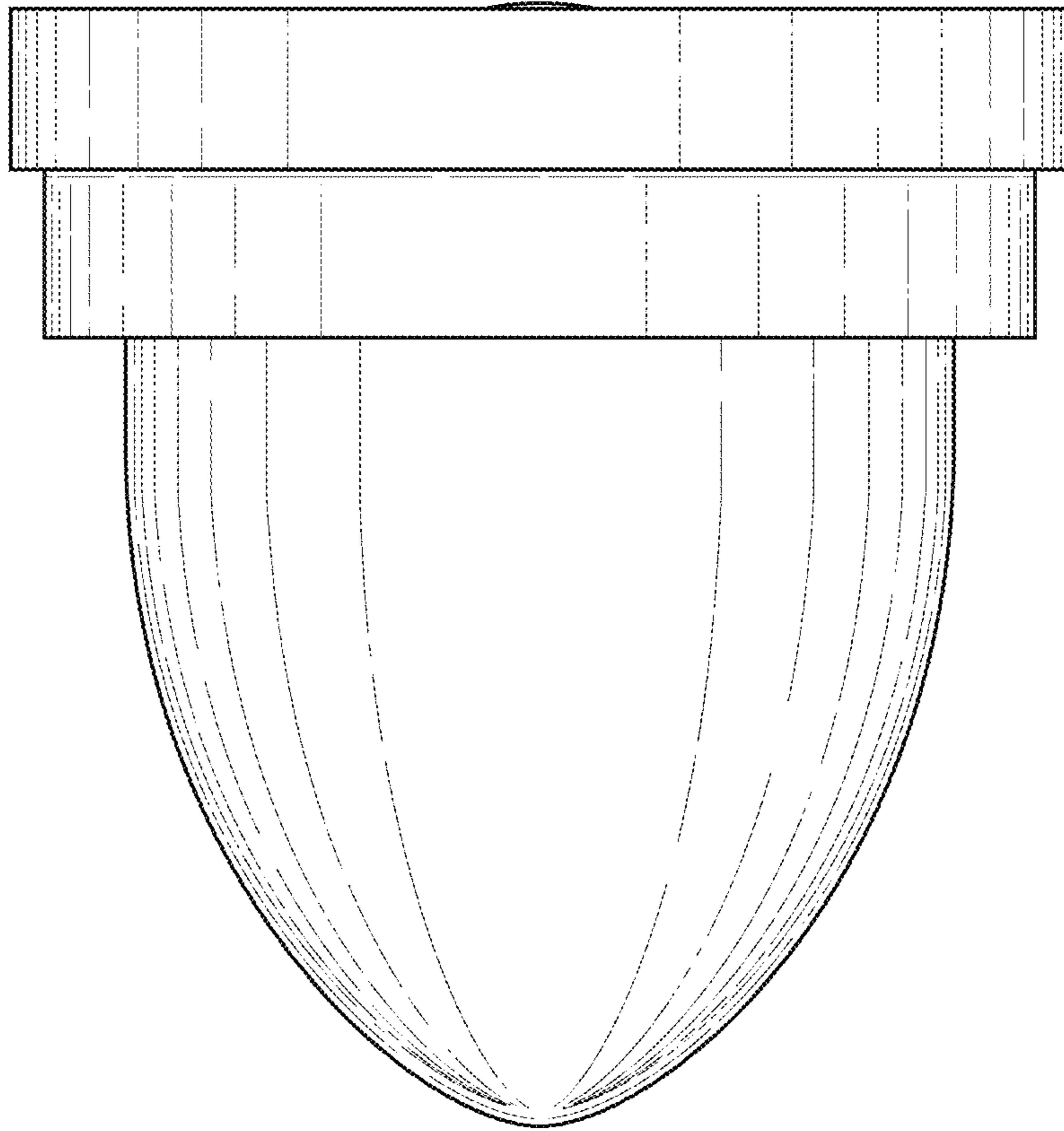


FIG. 5

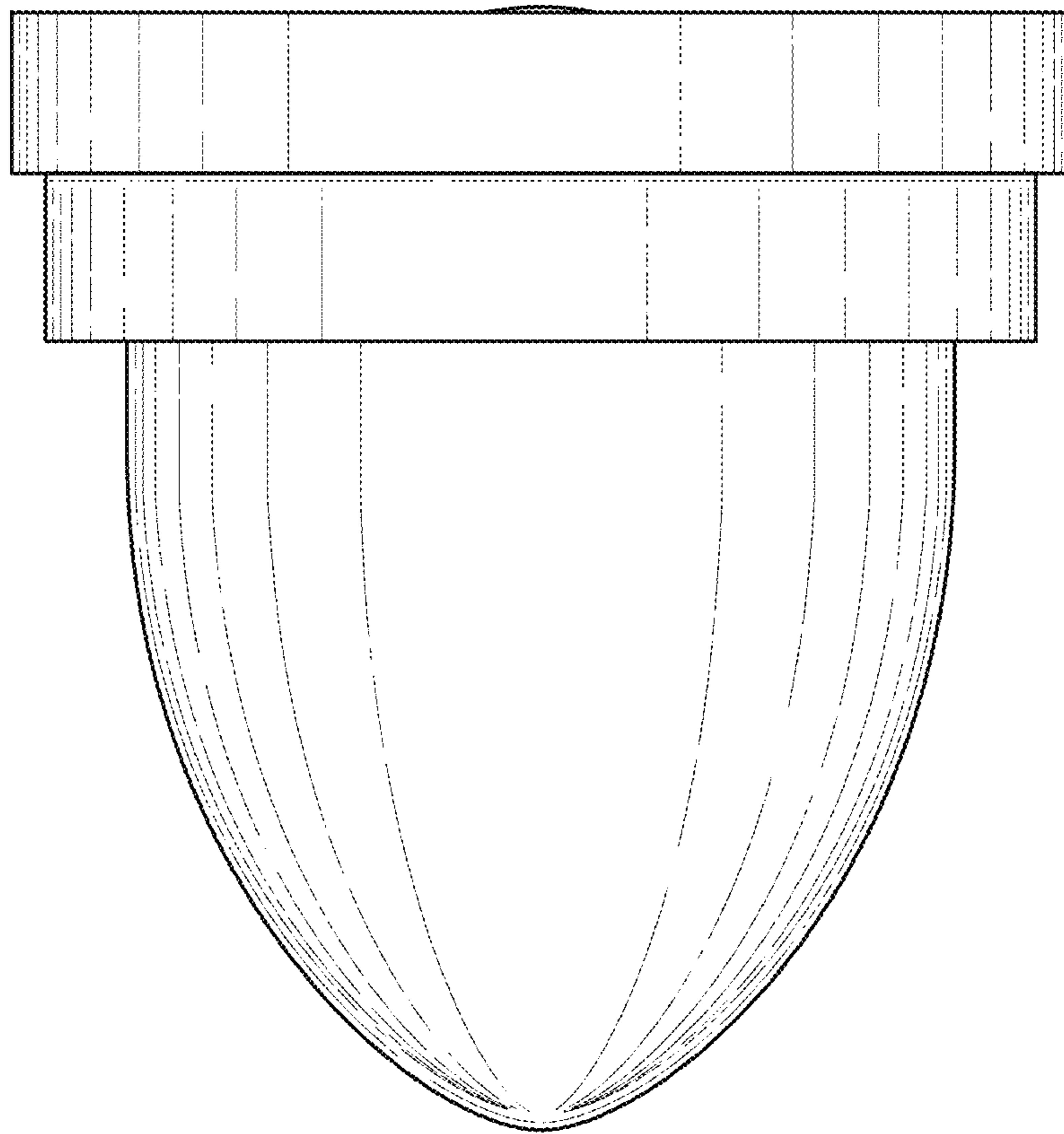


FIG. 6

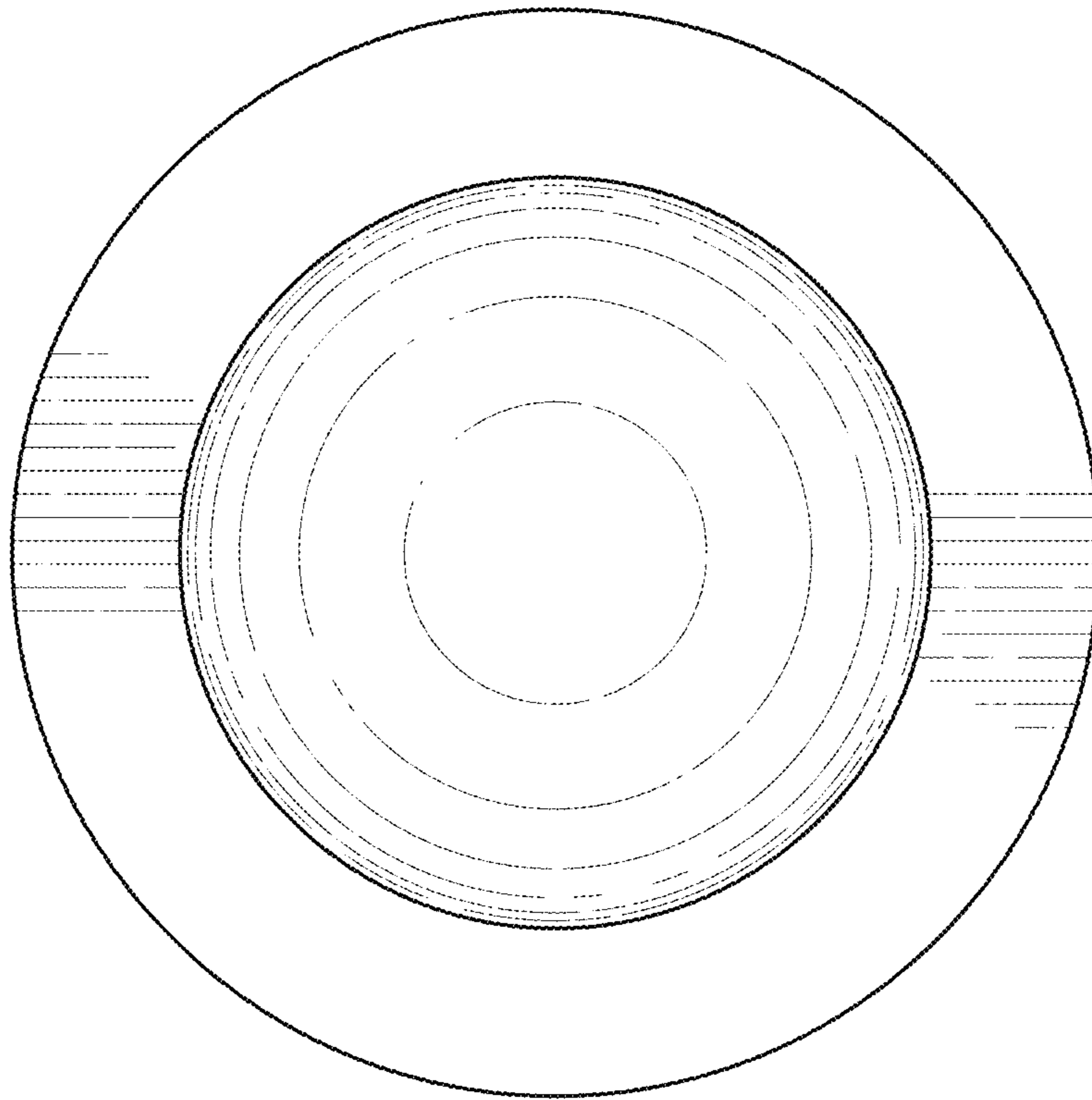


FIG. 7

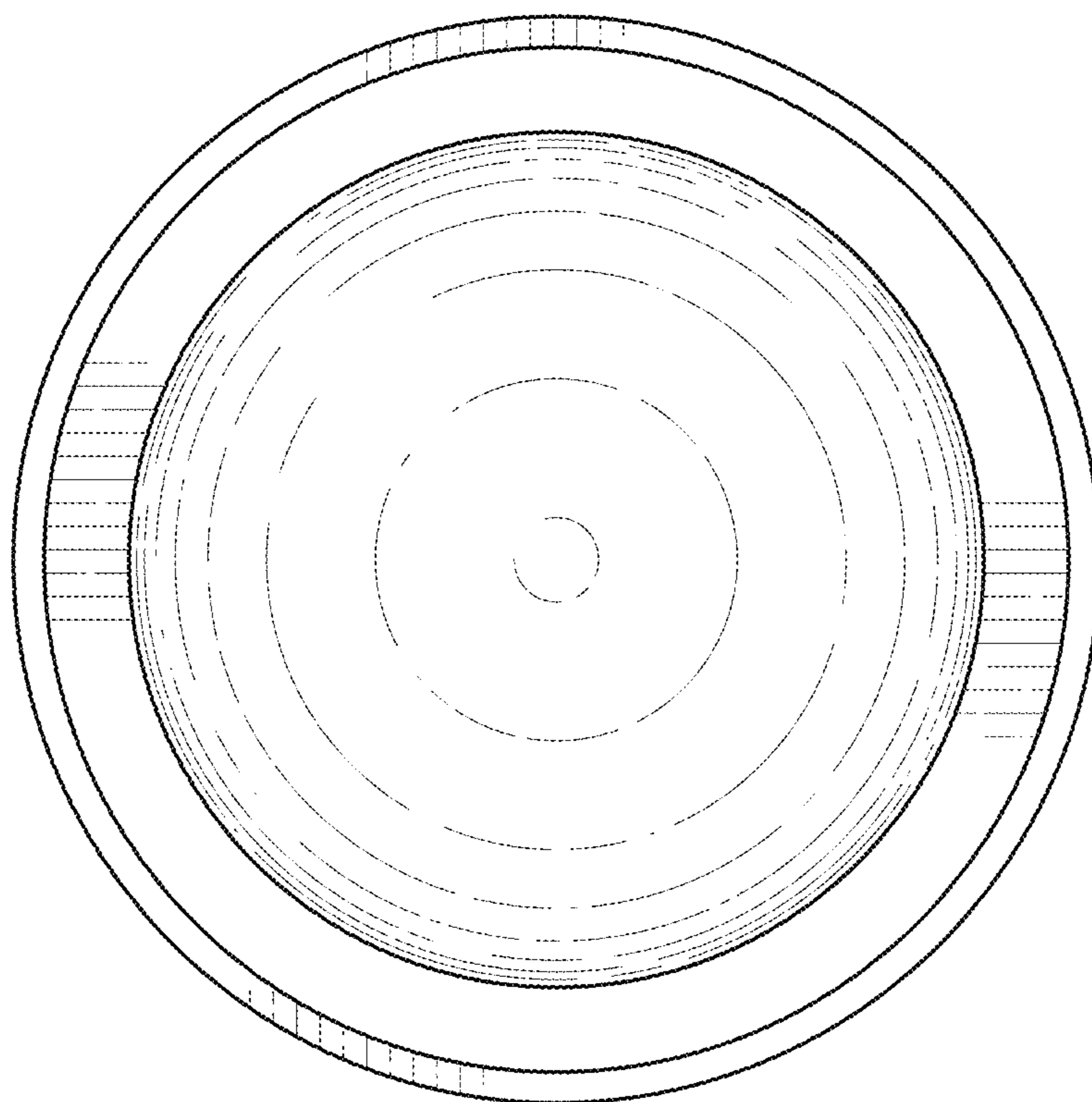


FIG. 8