



US00D789134S

(12) **United States Design Patent** (10) **Patent No.:** **US D789,134 S**
Lin (45) **Date of Patent:** **** Jun. 13, 2017**

(54) **CARAFE**
(71) Applicant: **G.L. PRODUCTION (HANGZHOU) LTD.**, Hangzhou (CN)
(72) Inventor: **Geoffery Lin**, Hong Kong (HK)
(73) Assignee: **G. L. PRODUCTION (HANGZHOU) LTD.**, Hangzhou (CN)
(**) Term: **15 Years**
(21) Appl. No.: **29/531,378**
(22) Filed: **Jun. 25, 2015**
(51) **LOC (10) Cl.** **07-01**
(52) **U.S. Cl.**
USPC **D7/316; D7/598; D7/321; D7/317; D9/545**
(58) **Field of Classification Search**
USPC **D7/317, 300.1, 316, 300, 598, 321; 222/196.1, 500; D9/439, 545, 553**
CPC **A61M 5/00; A61M 5/14; B28B 1/002; A47G 19/34; A47G 19/127; A47G 19/12**
See application file for complete search history.

4,858,787 A * 8/1989 Stone A47J 41/0027
220/374
D351,964 S * 11/1994 Zivin D7/302
D365,721 S * 1/1996 Huang D7/317
D409,051 S * 5/1999 Huang D7/598
D418,358 S * 1/2000 Huang D7/300
D471,767 S * 3/2003 Ucar Cortes D7/598
D481,955 S * 11/2003 Telles D9/501
D482,288 S * 11/2003 Telles D9/501
D514,368 S * 2/2006 Rocha D7/300
D582,215 S * 12/2008 Yang D7/598
D621,648 S * 8/2010 Lown D7/300.1
D635,403 S * 4/2011 Conway D11/152
D640,084 S * 6/2011 Sheppard D7/316
D646,932 S * 10/2011 Melms, Jr. D7/598
D661,939 S * 6/2012 Kern D7/316
D671,786 S * 12/2012 Lin D7/300.1
D682,690 S * 5/2013 Bowes D9/439
8,579,870 B2 * 11/2013 Willis A61F 5/445
604/167.04
8,671,826 B2 * 3/2014 Smit A47J 31/50
99/279
D725,955 S * 4/2015 Wittke D7/321
D726,488 S * 4/2015 Wittke D7/321

(Continued)

Primary Examiner — Marianne Pandozzi
(74) Attorney, Agent, or Firm — patenttm.us

(56) **References Cited**

U.S. PATENT DOCUMENTS

D124,880 S * 1/1941 Teunisz 229/4.5
D147,113 S * 7/1947 Cravaritis 220/568
D186,681 S * 11/1959 Fischer D7/317
3,073,470 A * 1/1963 Greene B65D 49/06
215/22
D199,994 S * 1/1965 Knodt 222/196.1
3,469,739 A * 9/1969 Phillips A61J 7/0046
206/217
D216,370 S * 12/1969 Tsoo-Hing et al. D7/317
D227,749 S * 7/1973 Plummer D7/300
D259,097 S * 5/1981 Kretz D7/598
4,825,757 A * 5/1989 Stoner A47G 19/12
215/396

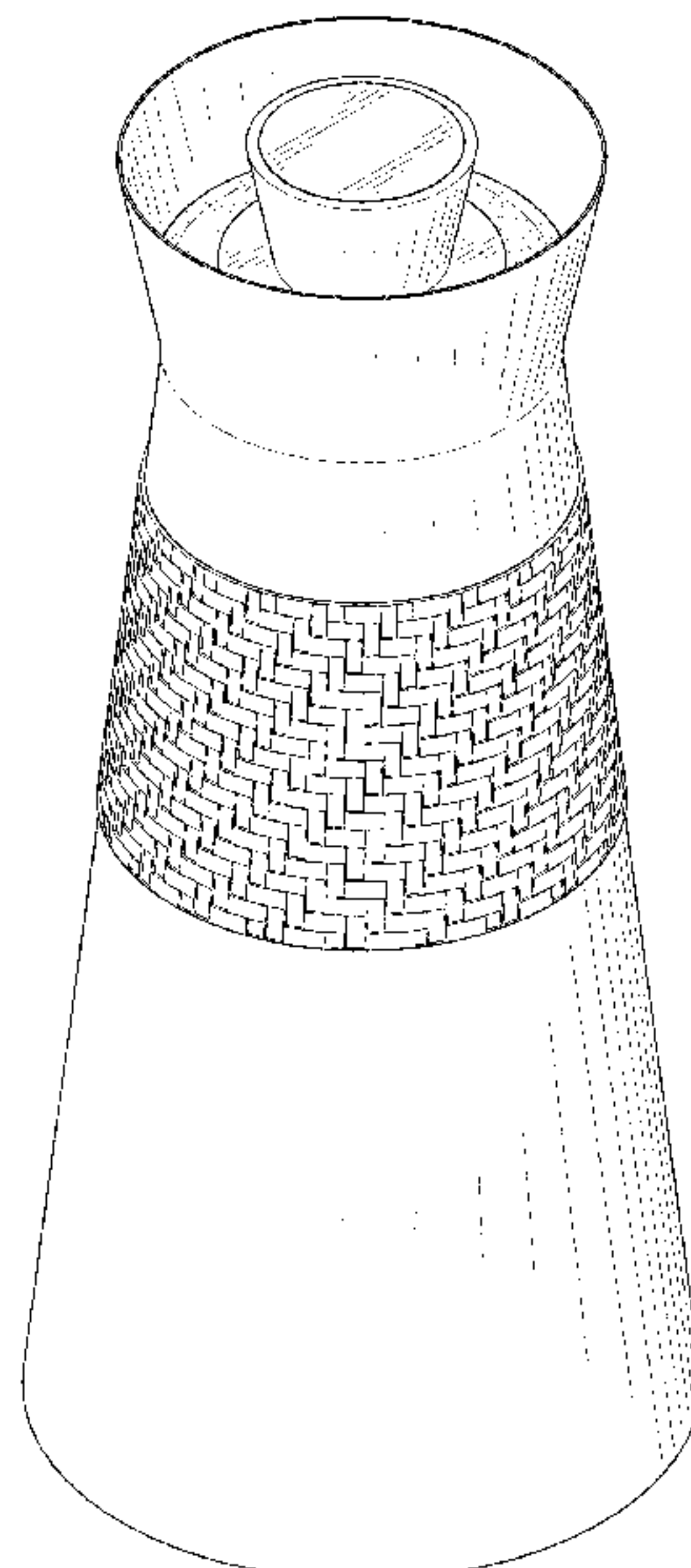
(57) **CLAIM**

The ornamental design for a carafe, as shown and described.

DESCRIPTION

FIG. 1 is a perspective view of a carafe showing my new design;
FIG. 2 is an exploded perspective view thereof;
FIG. 3 is a top plan view thereof; and,
FIG. 4 is a sectional view taken along line 4-4 of FIG. 3.
The broken lines are shown for illustrative purposes only and form no part of the claimed design.

1 Claim, 4 Drawing Sheets



(56)

References Cited

U.S. PATENT DOCUMENTS

D735,853 S * 8/2015 Pa D24/129
2015/0374151 A1* 12/2015 Lin A47G 19/127
222/545

* cited by examiner

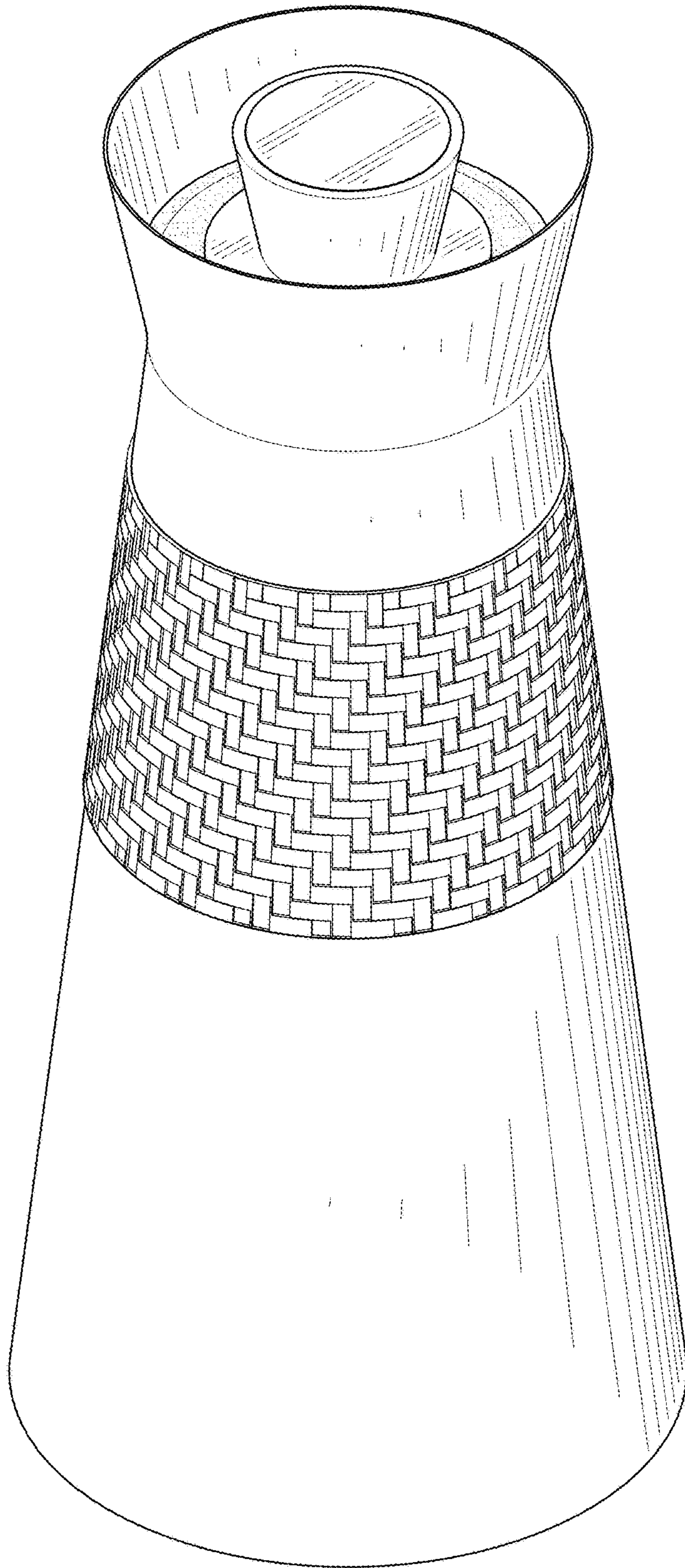


FIG.1

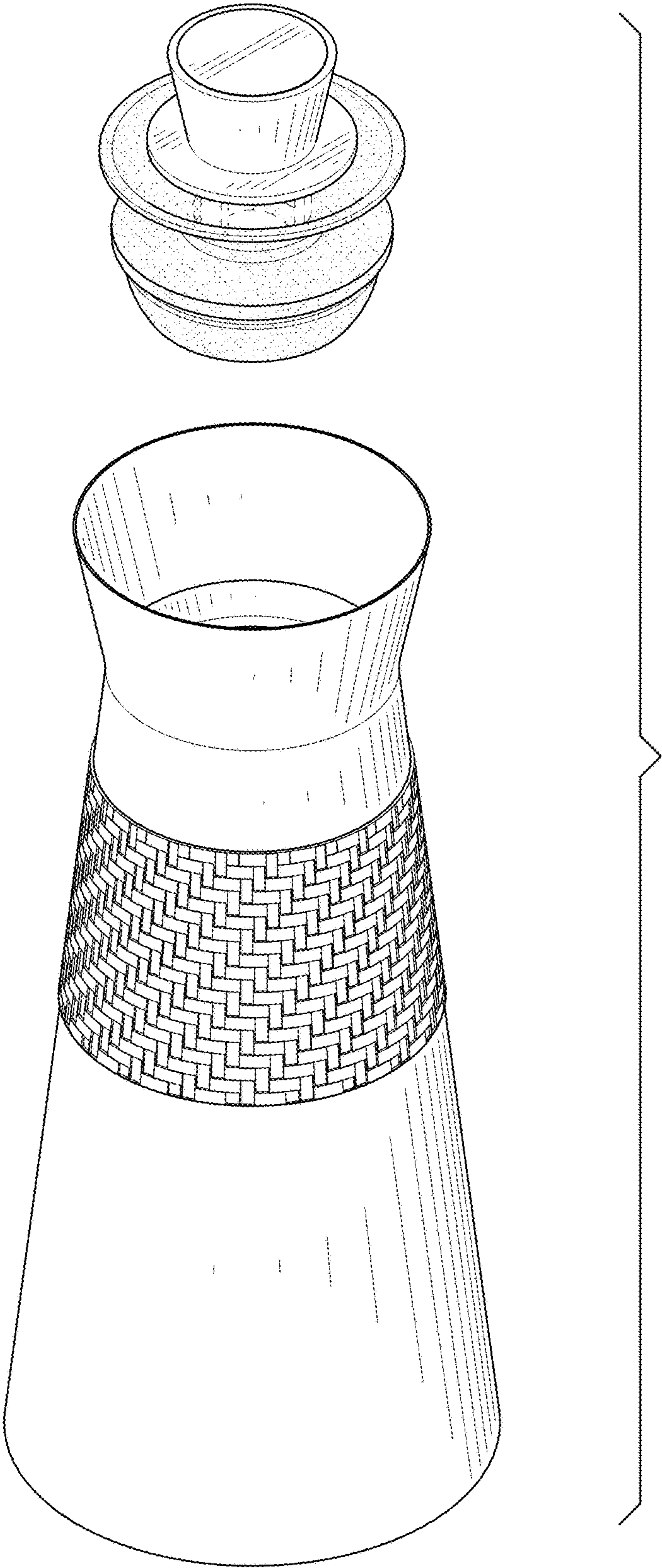


FIG.2

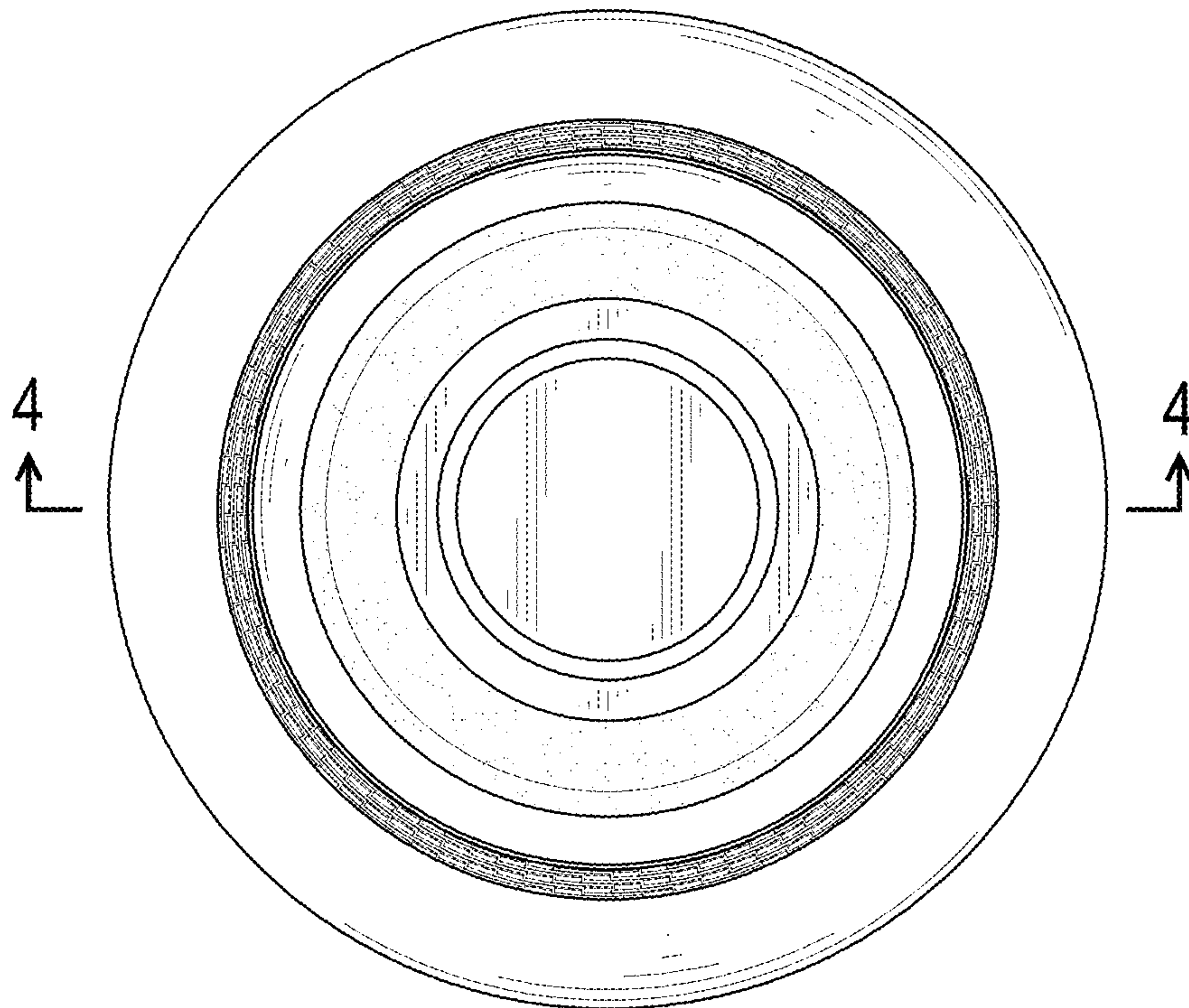


FIG.3

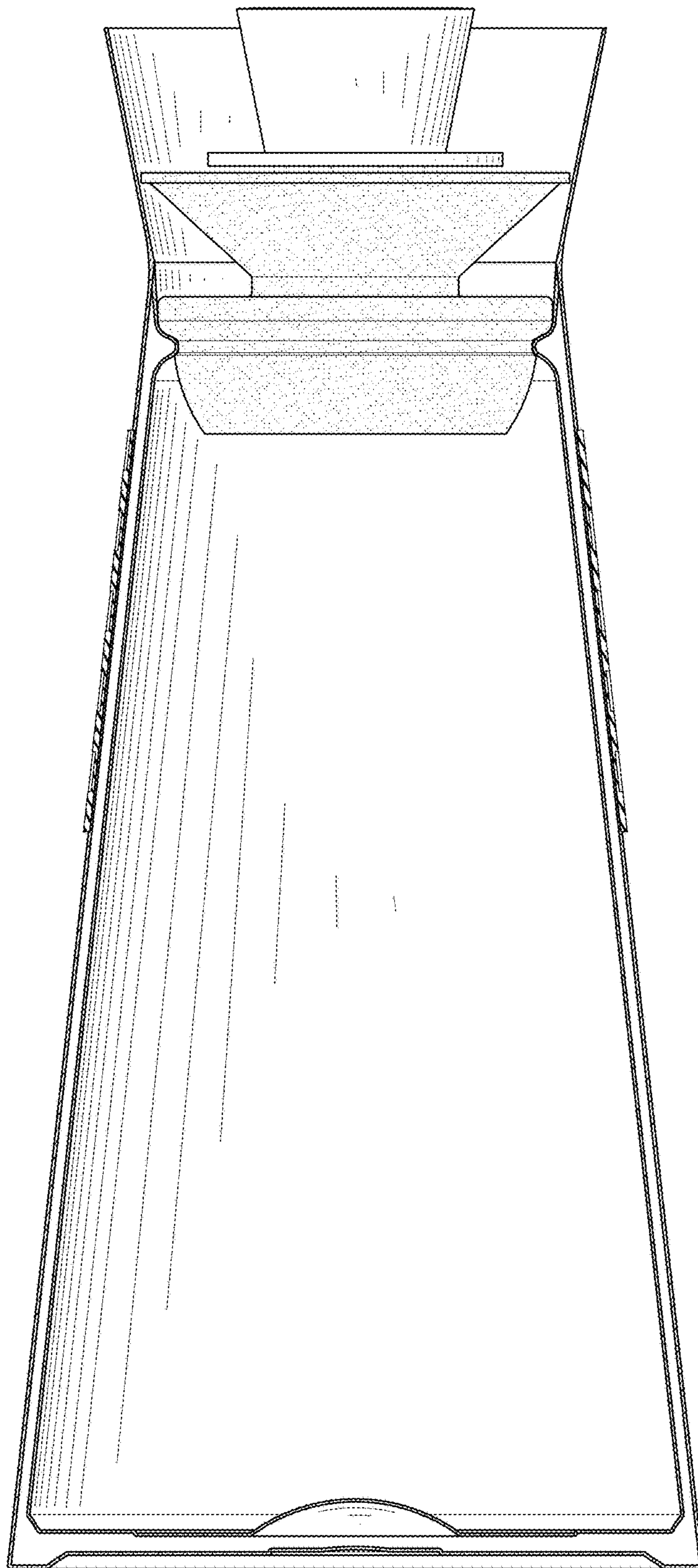


FIG.4