



US00D789133S

(12) **United States Design Patent**  
**Gnadinger**

(10) **Patent No.:** **US D789,133 S**

(45) **Date of Patent:** **\*\* Jun. 13, 2017**

(54) **BEVERAGE DISPENSER**

(71) Applicant: **Grindmaster Corporation**, Louisville, KY (US)

(72) Inventor: **Errin Whitney Gnadinger**, Louisville, KY (US)

(73) Assignee: **Grindmaster Corporation**, Louisville, KY (US)

(\*\*) Term: **15 Years**

(21) Appl. No.: **29/541,865**

(22) Filed: **Oct. 8, 2015**

(51) **LOC (10) Cl.** ..... **07-01**

(52) **U.S. Cl.**  
USPC ..... **D7/307; D7/308**

(58) **Field of Classification Search**  
USPC ..... D7/305-311, 313; D15/82; 222/129.1, 222/146.6; 99/295; D20/1, 4  
CPC ..... A47J 31/44; A47J 31/4403; A47J 31/46; B67D 1/36; B67D 2210/0065; B67D 1/0864; B67D 1/06; A23C 9/122  
See application file for complete search history.

(56) **References Cited**

**U.S. PATENT DOCUMENTS**

D206,519 S *	12/1966	Wolfe	.....	D7/308
D261,390 S *	10/1981	Harvill	.....	D7/307
4,658,892 A *	4/1987	Shinohara	.....	F28F 13/187
				165/133
D298,505 S *	11/1988	Frech	.....	D7/308
D312,021 S *	11/1990	Mohat	.....	D7/308
D335,062 S *	4/1993	Kolada	.....	D15/80
D346,088 S *	4/1994	Schroeder	.....	D7/306
D367,585 S *	3/1996	Piatnik	.....	D7/300
D368,617 S *	4/1996	Jackson	.....	D7/306
D390,059 S *	2/1998	Saito	.....	D7/307

D404,242 S *	1/1999	Schroeder	.....	D7/307
D453,088 S *	1/2002	Bell	.....	D7/307
D553,416 S *	10/2007	Lin	.....	D7/306
D699,066 S *	2/2014	Arora	.....	D7/307

(Continued)

**OTHER PUBLICATIONS**

Cecilware Corporation, "Cappuccino & Hot Chocolate Dispensers," Full Line Catalog, Dec. 2007.

(Continued)

*Primary Examiner* — Marianne Pandozzi

(74) *Attorney, Agent, or Firm* — Stites & Harbison, PLLC; David W. Nagle, Jr.; James R. Hayne

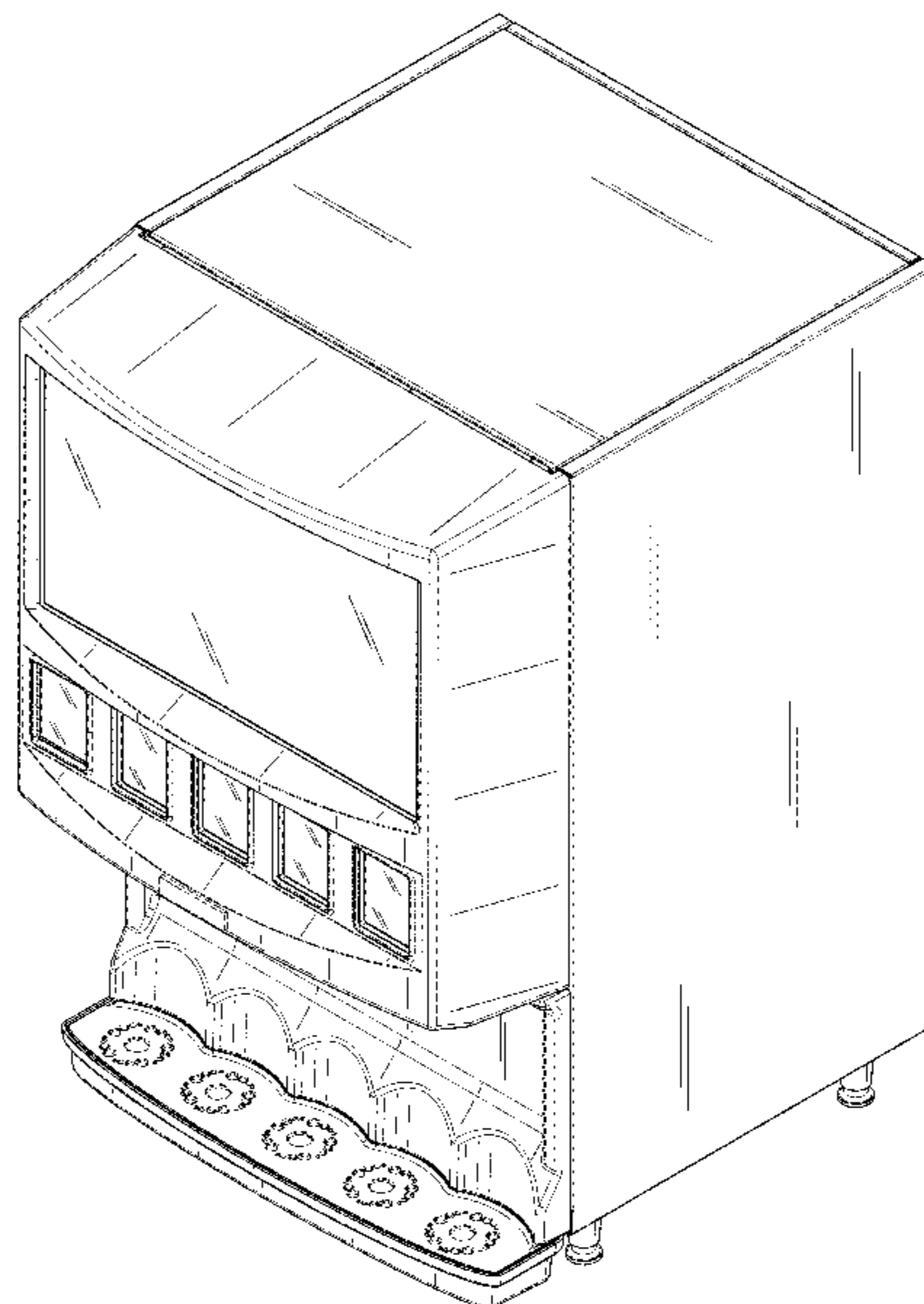
(57) **CLAIM**

The ornamental design for a beverage dispenser, as shown and described.

**DESCRIPTION**

FIG. 1 is a top perspective view of a beverage dispenser incorporating the design of the present invention; FIG. 2 is a bottom perspective view of the beverage dispenser of FIG. 1; FIG. 3 is a front view of the beverage dispenser of FIG. 1; FIG. 4 is a left side view of the beverage dispenser of FIG. 1; FIG. 5 is a right side view of the beverage dispenser of FIG. 1; and, FIG. 6 is a top view of the beverage dispenser of FIG. 1. The rear surface of the beverage dispenser in FIG. 1 is flat (with the exception of ports shown protruding out of the beverage dispenser in the left side, right side, and top views and which are not part of the claimed design) and unornamented. Furthermore, the rear surface of the beverage dispenser in FIG. 1 is not visible during normal use. The broken lines in the drawings depict portions of the beverage dispenser that form no part of the claimed design.

**1 Claim, 6 Drawing Sheets**



(56)

**References Cited**

U.S. PATENT DOCUMENTS

D699,501 S	*	2/2014	Arora	.....	D7/307
D709,723 S	*	7/2014	Norris	.....	D7/307
D711,179 S	*	8/2014	Norris	.....	D7/307
D772,003 S	*	11/2016	Broen	.....	D7/307
D776,970 S	*	1/2017	Broen	.....	D7/307

OTHER PUBLICATIONS

Grindmaster Corporation, "Hot Powder Specialty Beverage Dispensers," Product Catalog, 2004.

\* cited by examiner

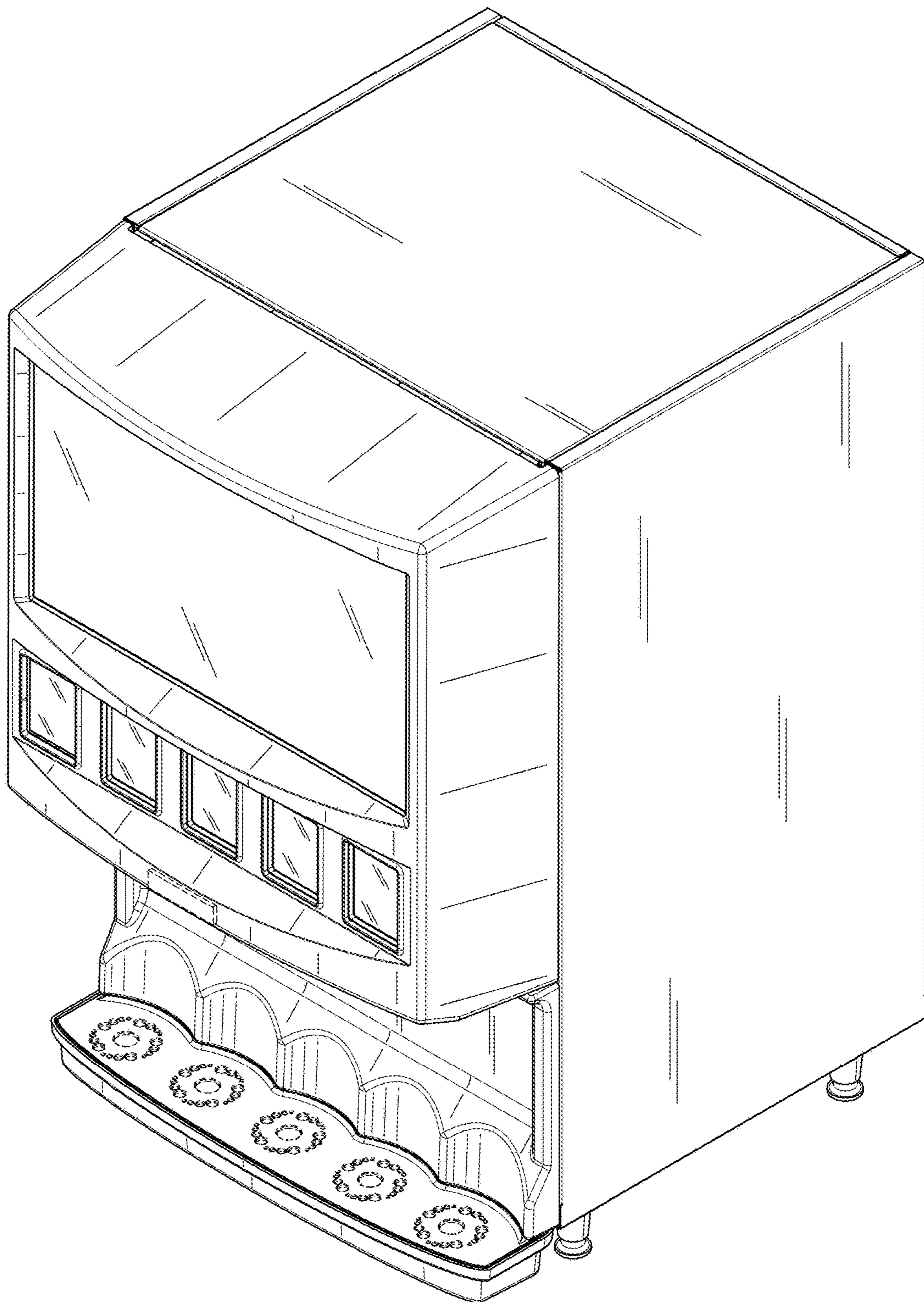


FIG. 1

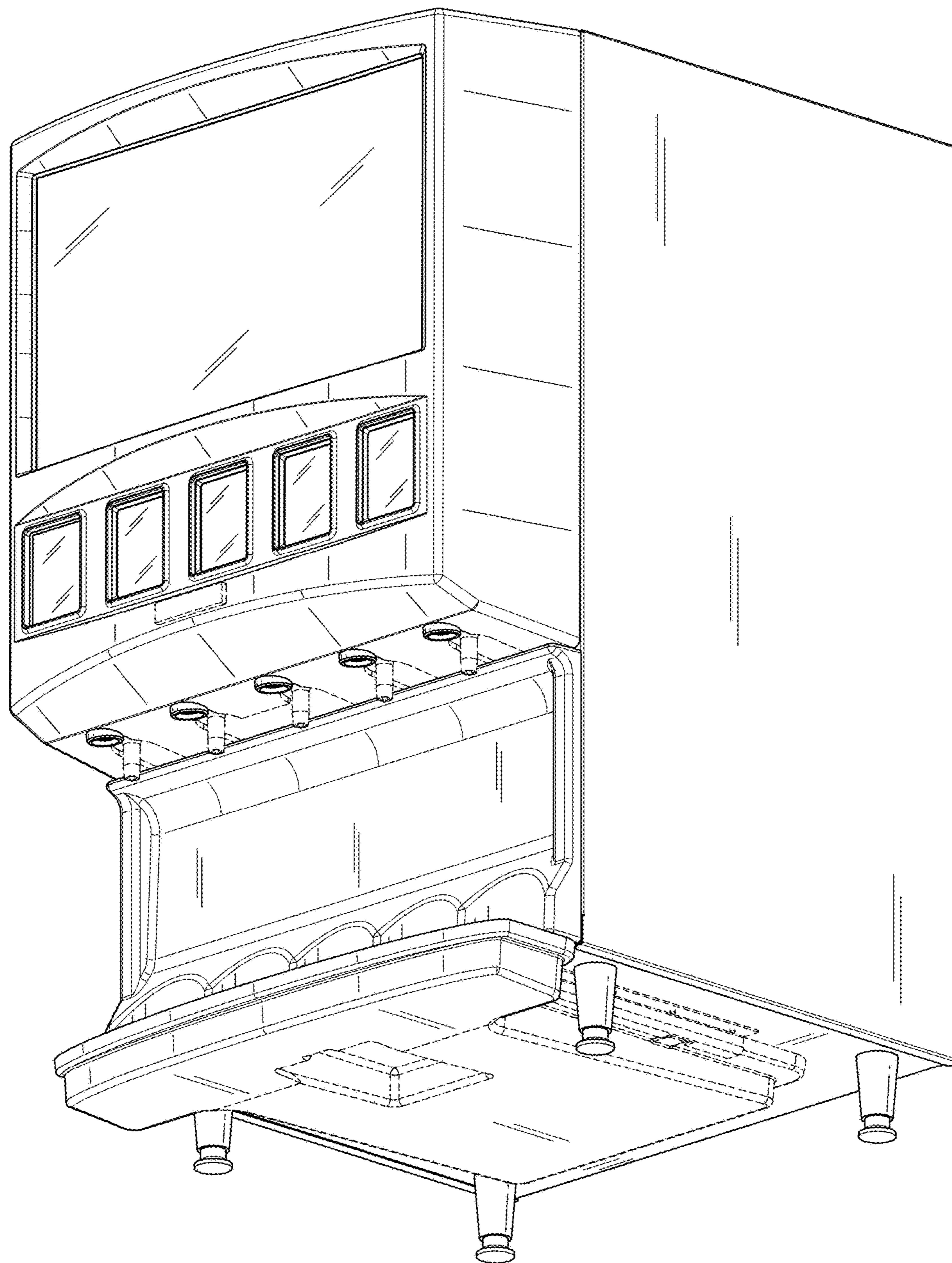


FIG. 2

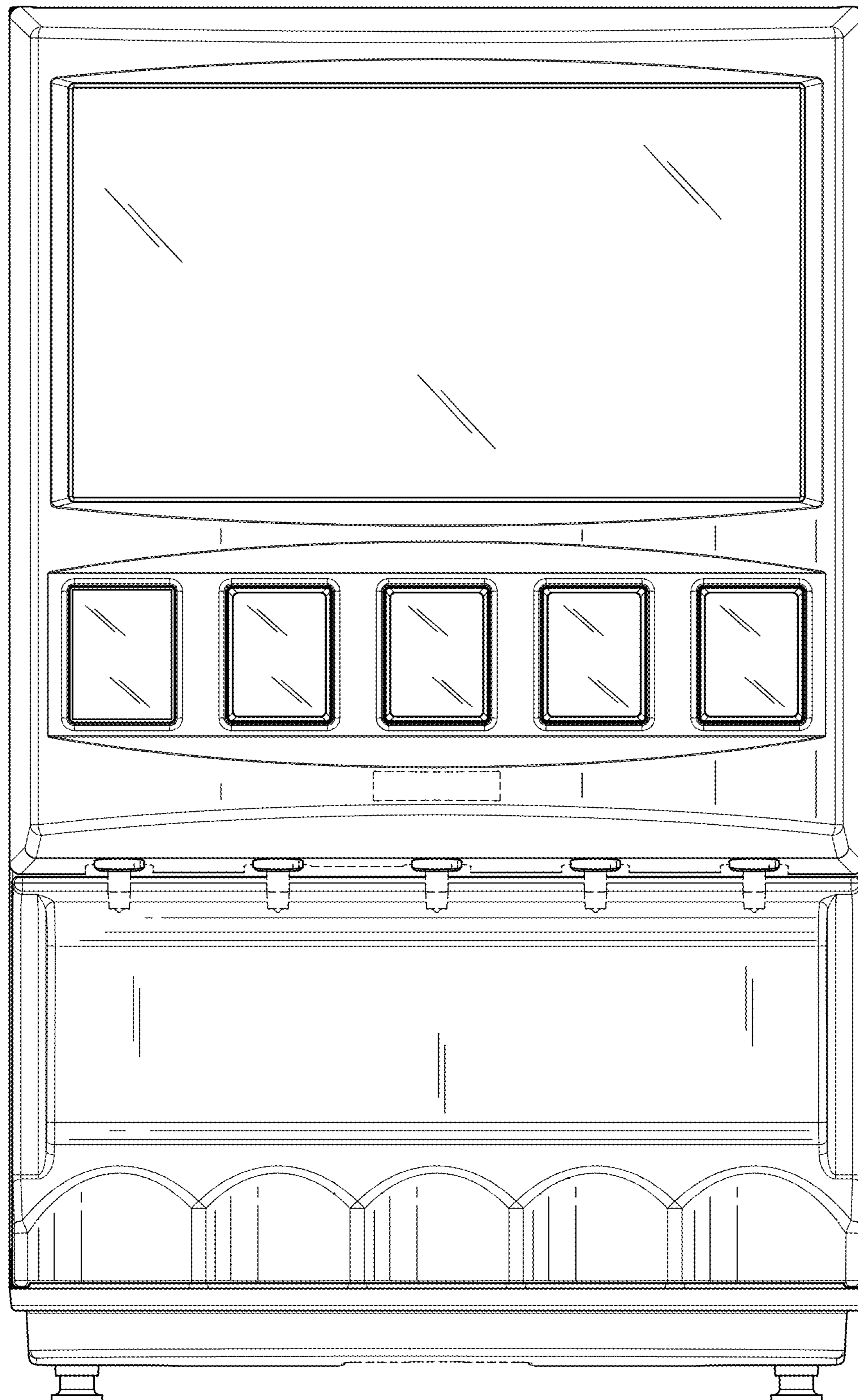


FIG. 3

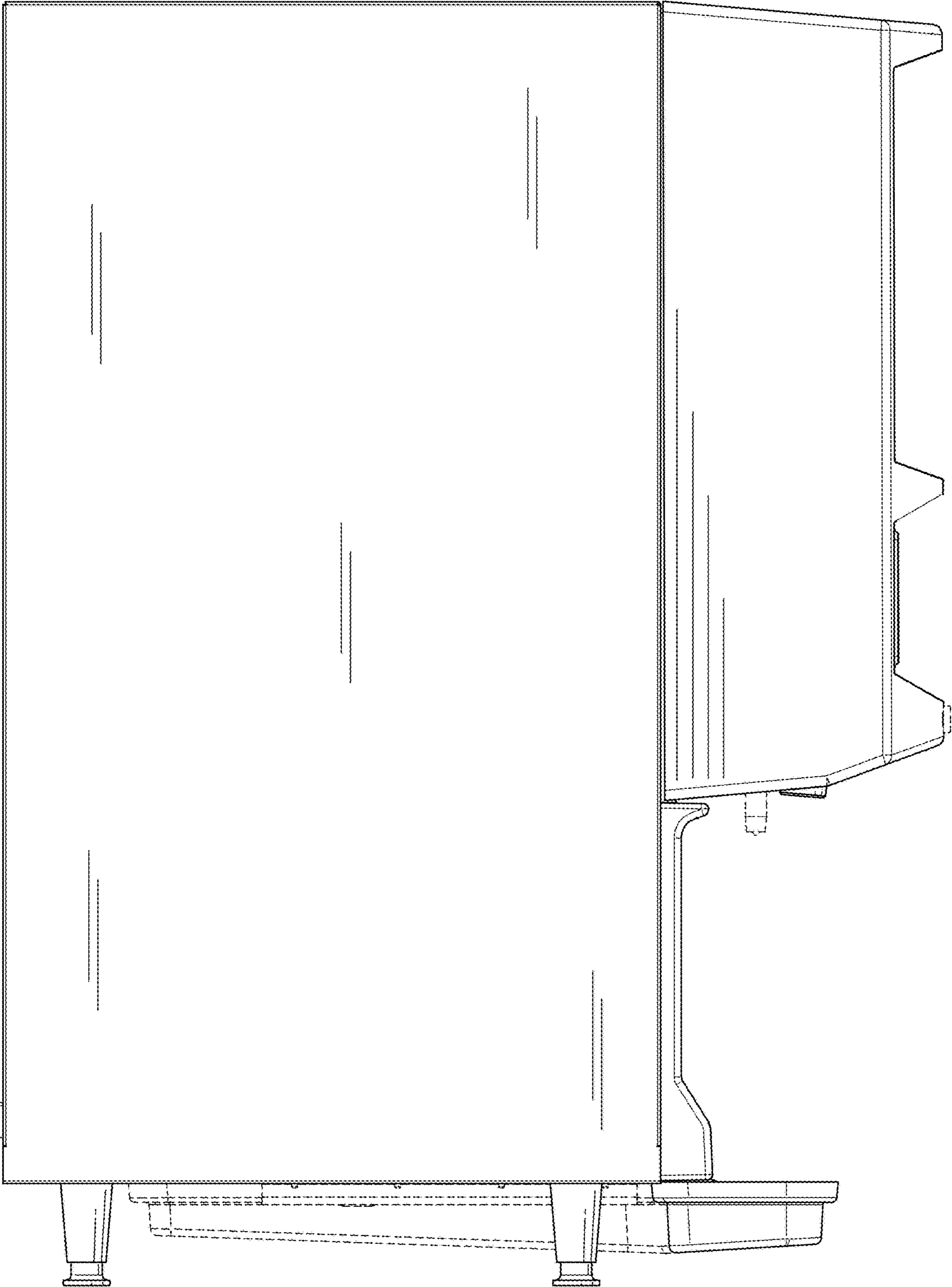


FIG. 4

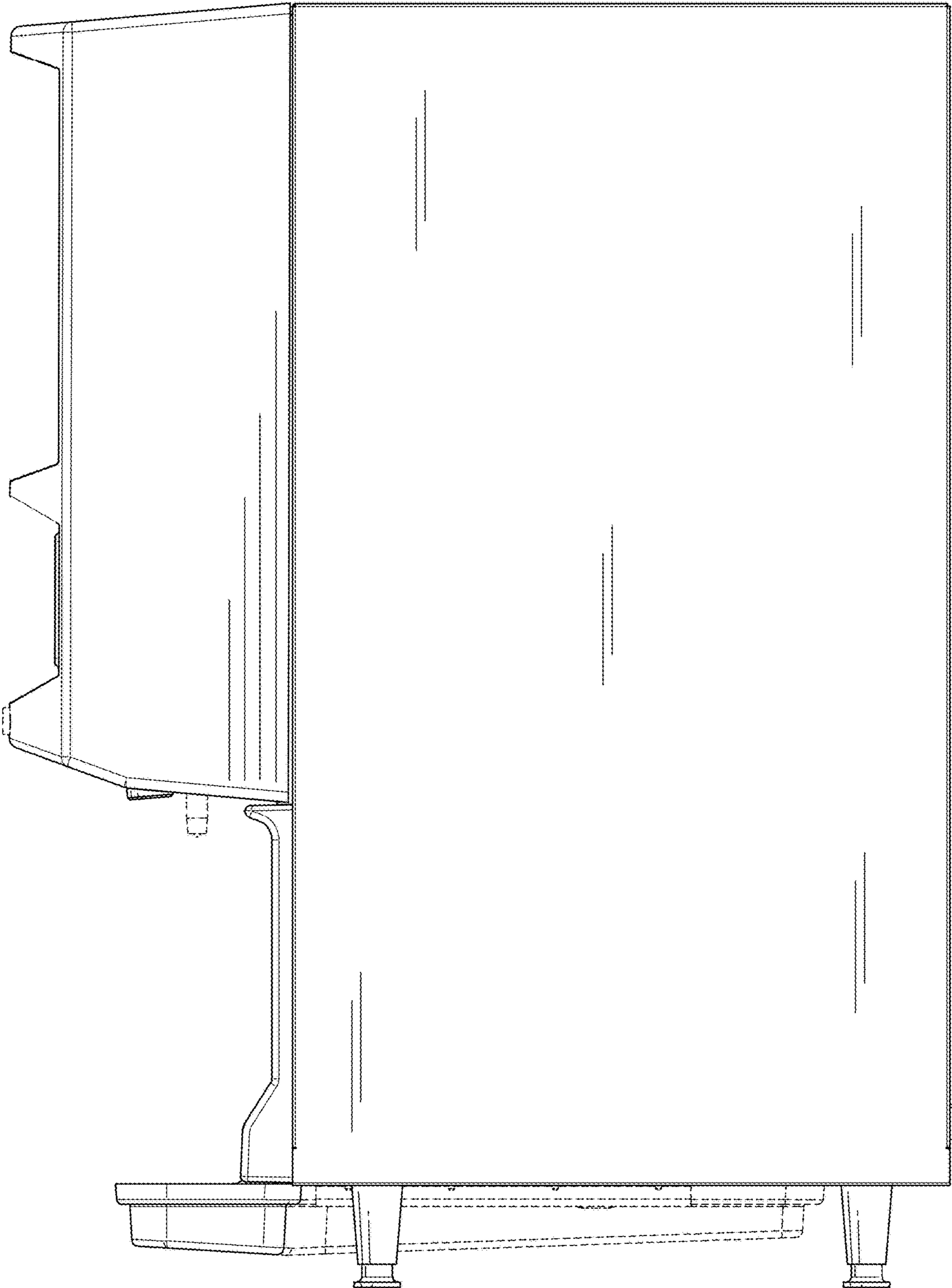


FIG. 5

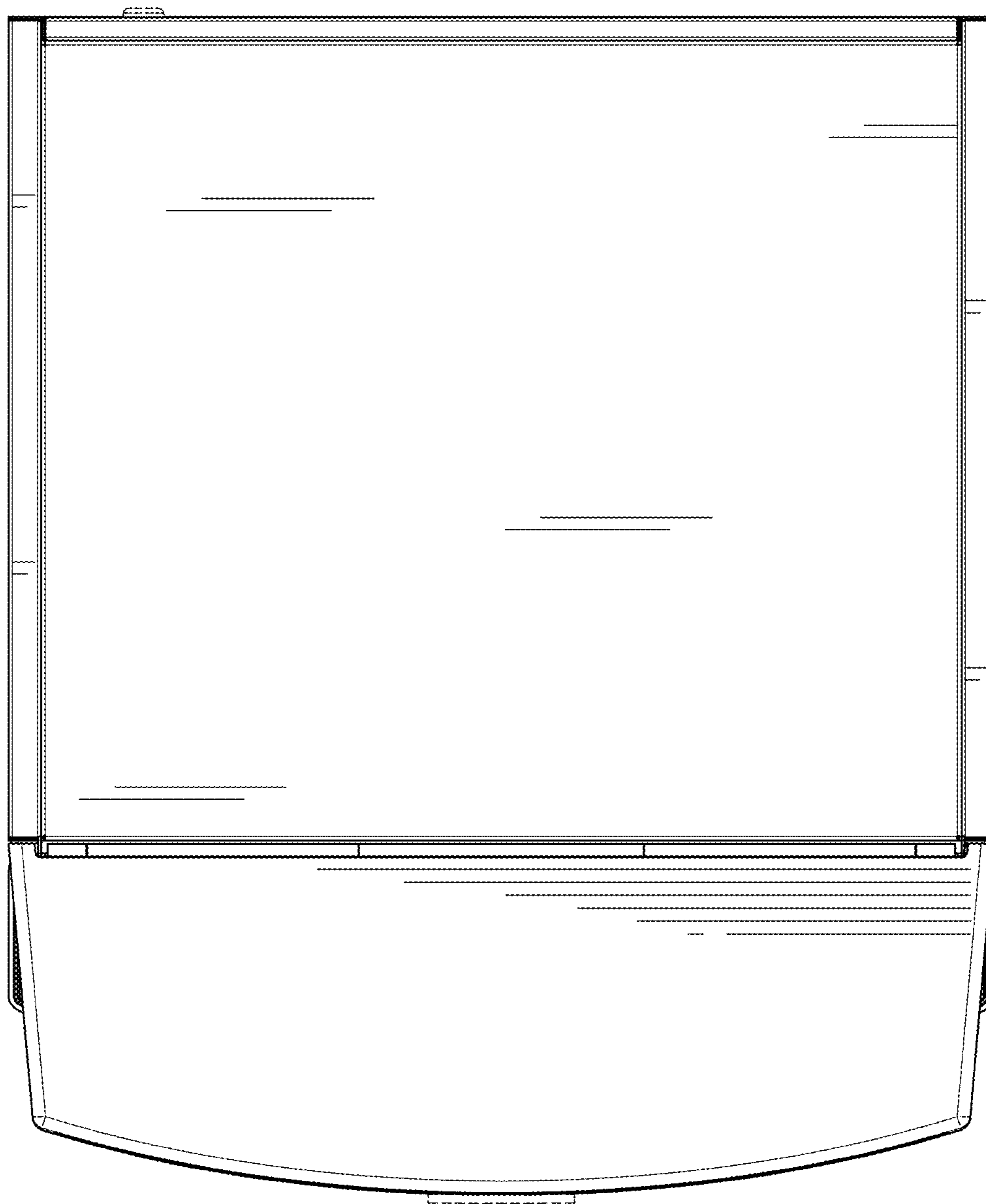


FIG. 6