



US00D789132S

(12) **United States Design Patent** (10) **Patent No.:** **US D789,132 S**  
**Roberts et al.** (45) **Date of Patent:** **\*\* Jun. 13, 2017**

(54) **BEVERAGE PRESS**

(56) **References Cited**

(71) Applicant: **E. & J. Gallo Winery**, Modesto, CA (US)  
(72) Inventors: **Kimberly Roberts**, San Francisco, CA (US); **Patrick Coyle**, Modesto, CA (US); **Alexander Coriano, III**, Brisbane, CA (US); **Vivian K. Barad**, San Francisco, CA (US); **Thomas Dieter Christian-Overthun**, San Francisco, CA (US); **David Jason Wilkins**, San Francisco, CA (US); **Anthony Peter Patron**, Mountain View, CA (US); **Eben Roy Sargent**, Seattle, WA (US); **Daniel Lawrence Evans**, Oakland, CA (US)

U.S. PATENT DOCUMENTS

D244,529 S *	5/1977	Gomez .....	D19/168
D320,735 S *	10/1991	Pettengill .....	D9/526
D373,529 S *	9/1996	Zogg .....	D9/693
D396,588 S *	8/1998	Mack .....	D6/542
D402,193 S *	12/1998	Bell .....	D9/693
D440,867 S *	4/2001	Dailey .....	D9/687
D486,347 S *	2/2004	Meike .....	D7/306
D518,677 S *	4/2006	Van Berlo .....	D7/306
D648,971 S *	11/2011	Goralski .....	D7/300
D674,636 S *	1/2013	Yang .....	D6/542

(Continued)

*Primary Examiner* — Marianne Pandozzi  
(74) *Attorney, Agent, or Firm* — Steptoe & Johnson LLP

(73) Assignee: **E. & J. Gallo Winery**, Modesto, CA (US)

(57) **CLAIM**

The ornamental design for a beverage press, as shown and described.

(\*\*) Term: **15 Years**

(21) Appl. No.: **29/533,269**

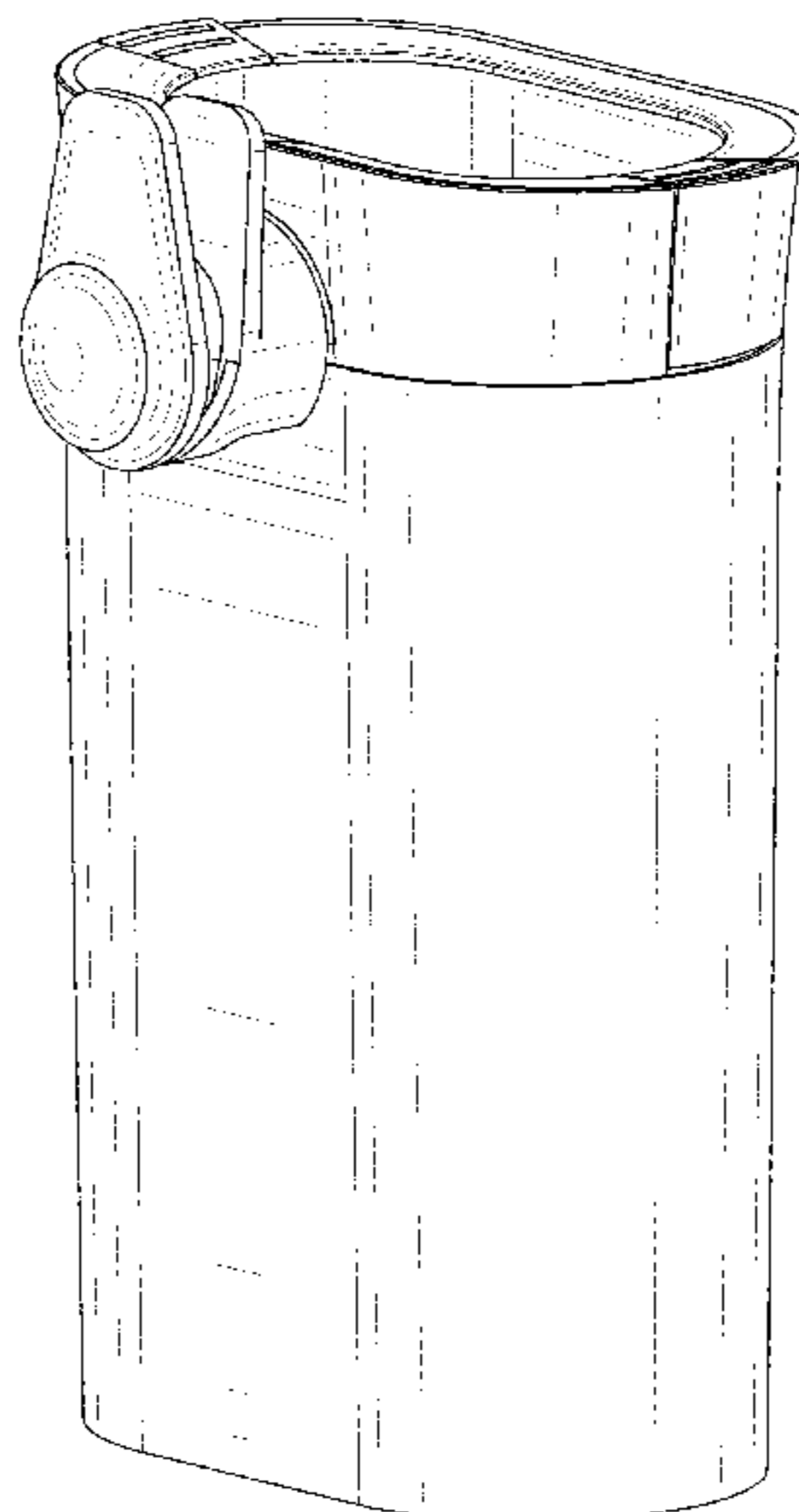
**DESCRIPTION**

(22) Filed: **Jul. 15, 2015**  
(51) **LOC (10) Cl.** ..... **07-01**  
(52) **U.S. Cl.**  
USPC ..... **D7/306**; D7/313; D9/693; D6/542  
(58) **Field of Classification Search**  
USPC ..... D7/306-311, 305, 300, 397, 398, 399, D7/400, 313; 99/279, 284, 290, 280, 99/299, 307, 297, 295, 323, 275, 281, 99/300, 302 R, 282, 288; 426/433; D20/4, 5, 1; D9/693; D6/542; D23/243, D23/244, 245, 255  
CPC .. A47J 31/44; A47J 31/00; A47J 31/46; A47J 31/10; A47J 31/56; A47J 31/42; A47J 431/4482; A47J 27/2105; A47J 31/4403; A47J 31/32; A47J 31/4457; A47J 31/52; A47J 31/0573; A47J 31/545; B65D 81/3266

FIG. 1 is a perspective view of a beverage press showing our new design;  
FIG. 2 is a front view thereof;  
FIG. 3 is a rear view thereof;  
FIG. 4 is a left side view thereof;  
FIG. 5 is a right side view thereof;  
FIG. 6 is a top plan view thereof;  
FIG. 7 is a bottom plan view thereof;  
FIG. 8 is a perspective view of the beverage press in alternate position thereof;  
FIG. 9 is a front view thereof;  
FIG. 10 is a rear view thereof;  
FIG. 11 is a left side view thereof;  
FIG. 12 is a right side view thereof;  
FIG. 13 is a top plan view thereof; and,  
FIG. 14 is a bottom plan view thereof.

See application file for complete search history.

**1 Claim, 14 Drawing Sheets**



(56)

**References Cited**

U.S. PATENT DOCUMENTS

D676,701 S *	2/2013	Chung .....	D7/307
D690,131 S *	9/2013	Clough .....	D6/542
D696,887 S *	1/2014	Minica .....	D7/306
D699,047 S *	2/2014	Lissoni .....	D6/542
D701,411 S *	3/2014	Stacks .....	D7/306
D711,178 S *	8/2014	Waugh .....	D3/202
D718,573 S *	12/2014	De Pra .....	D7/300
D727,653 S *	4/2015	Bjerre-Poulsen .....	D6/542
D742,156 S *	11/2015	Harris .....	D7/306
D763,613 S *	8/2016	Han .....	D7/306

\* cited by examiner

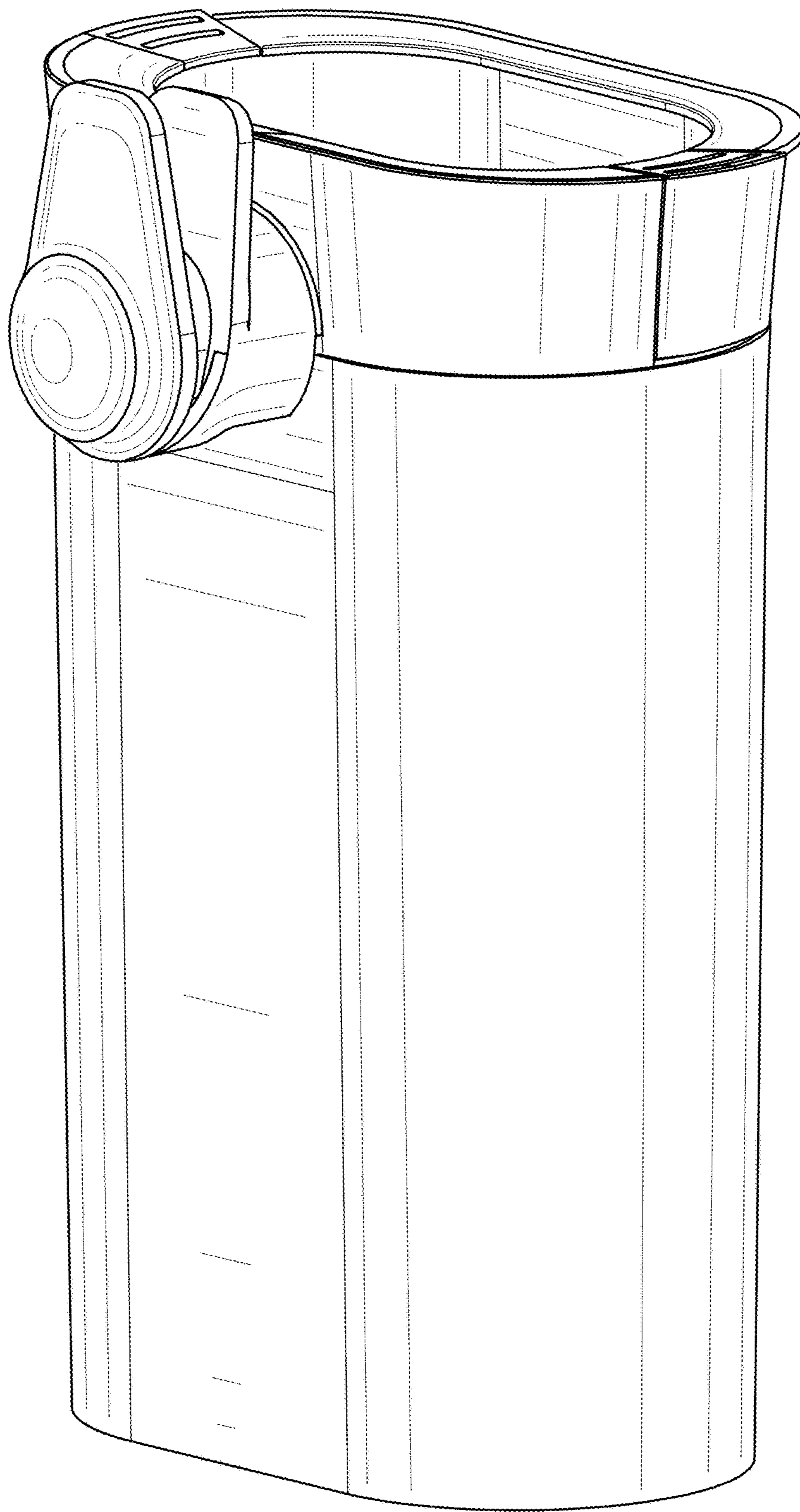


FIG. 1

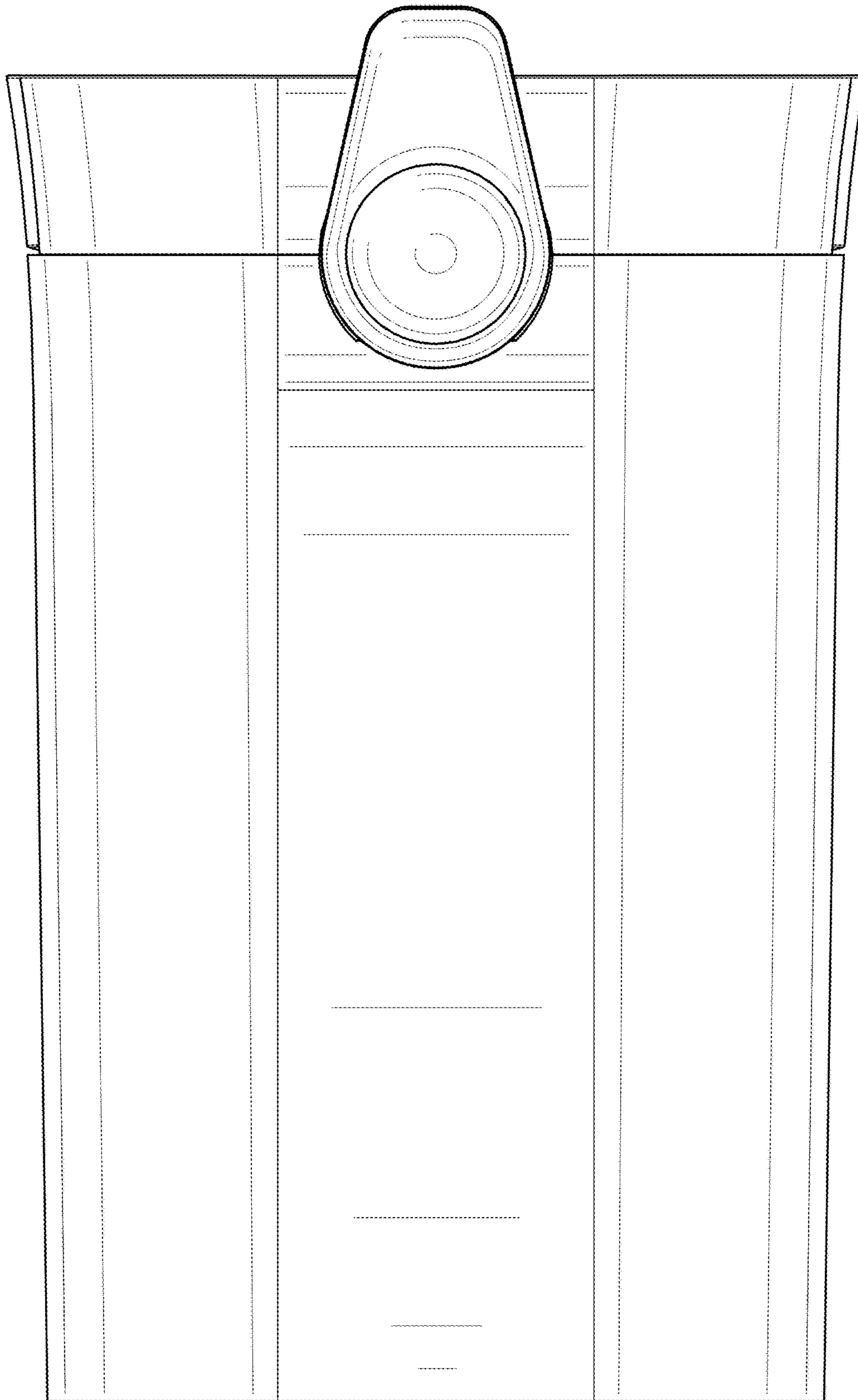


FIG. 2

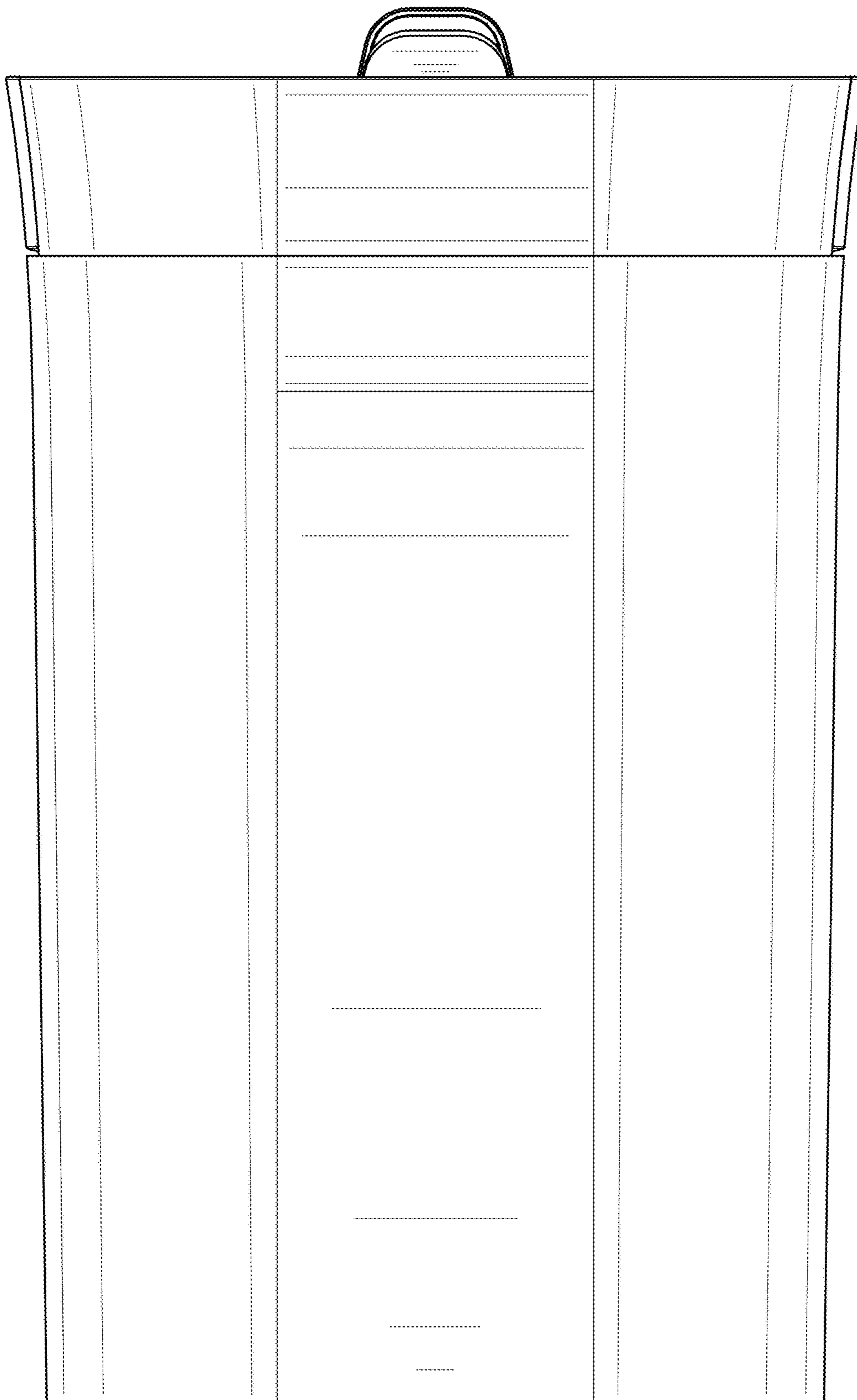


FIG. 3

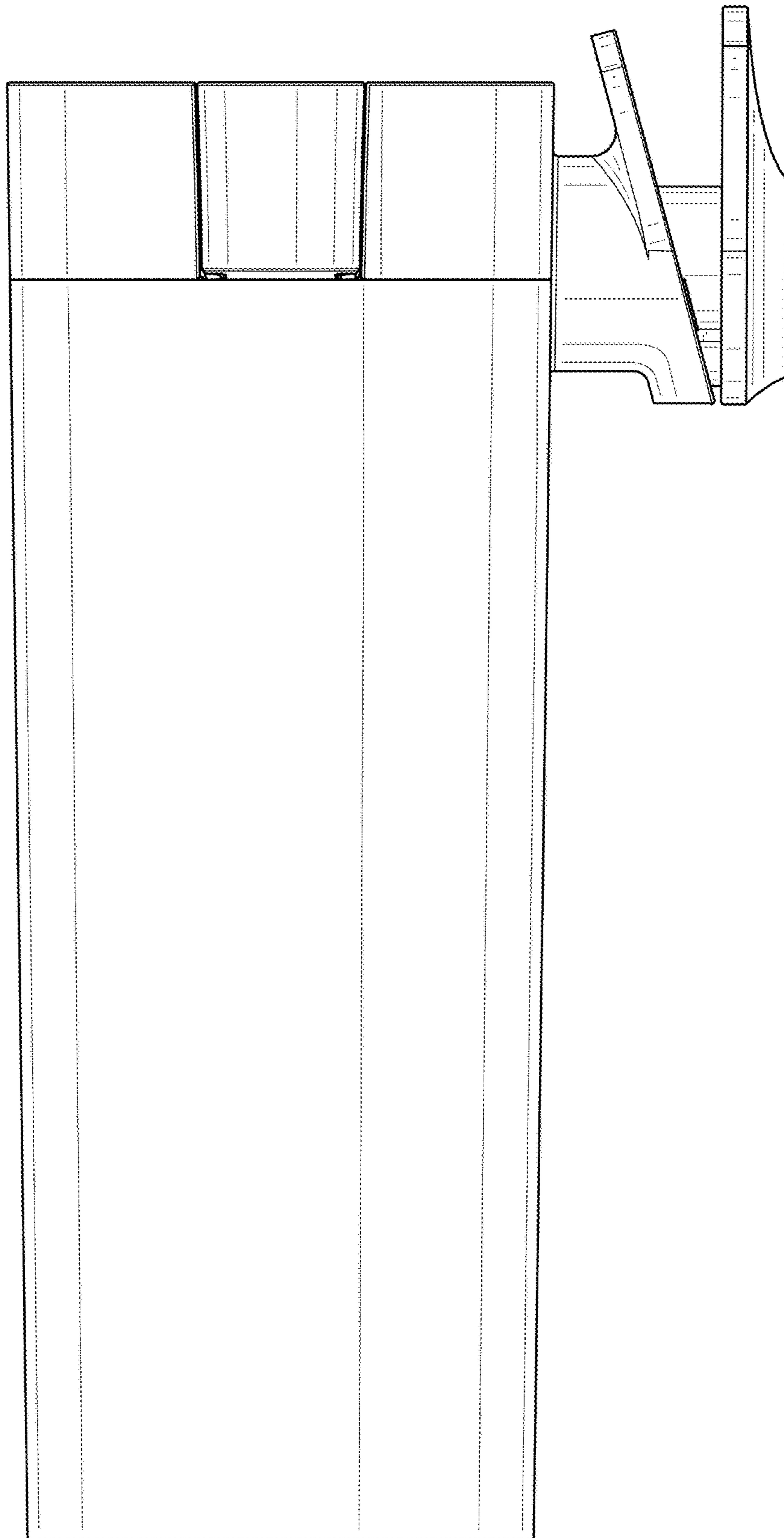


FIG. 4

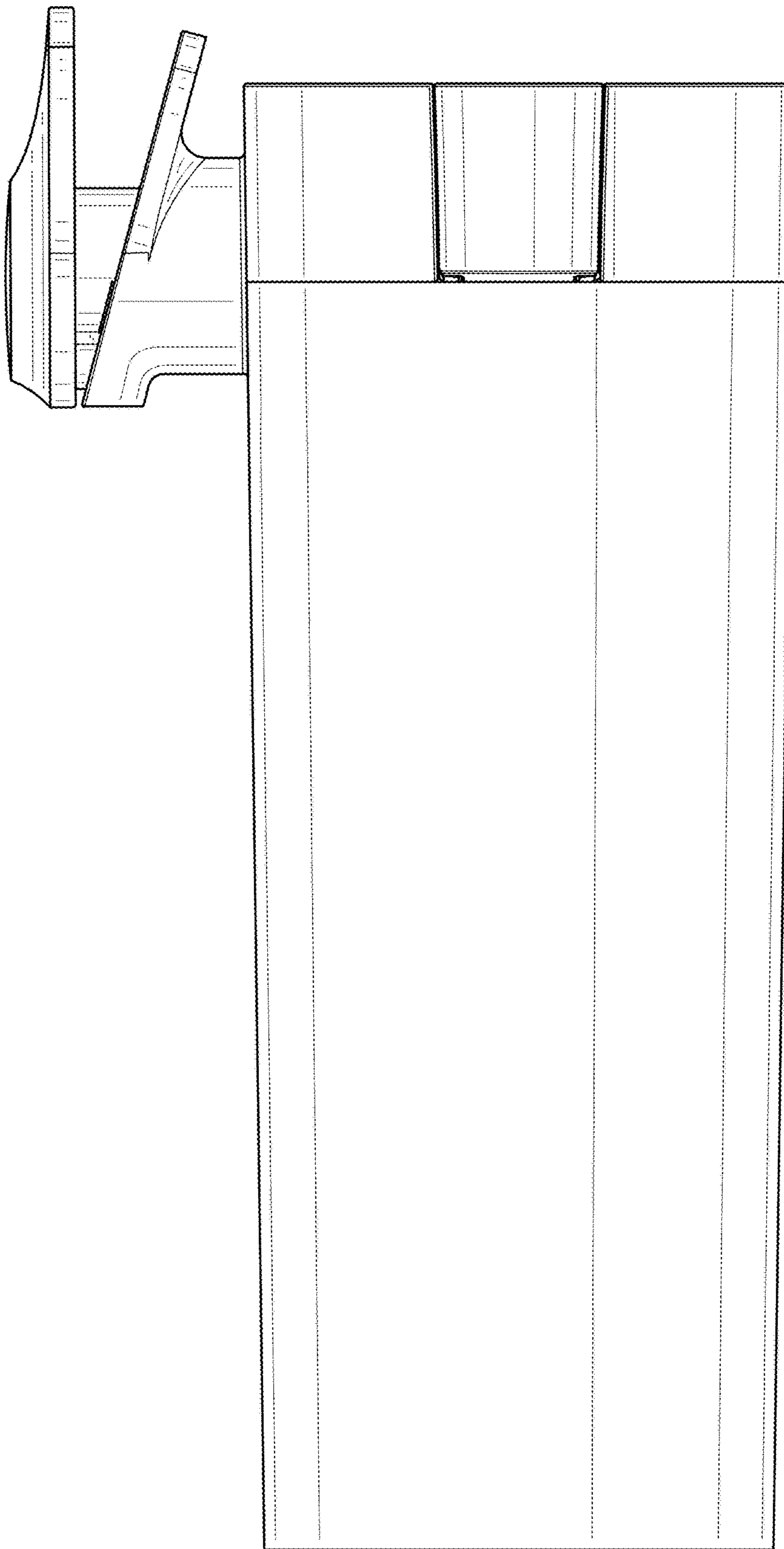


FIG. 5

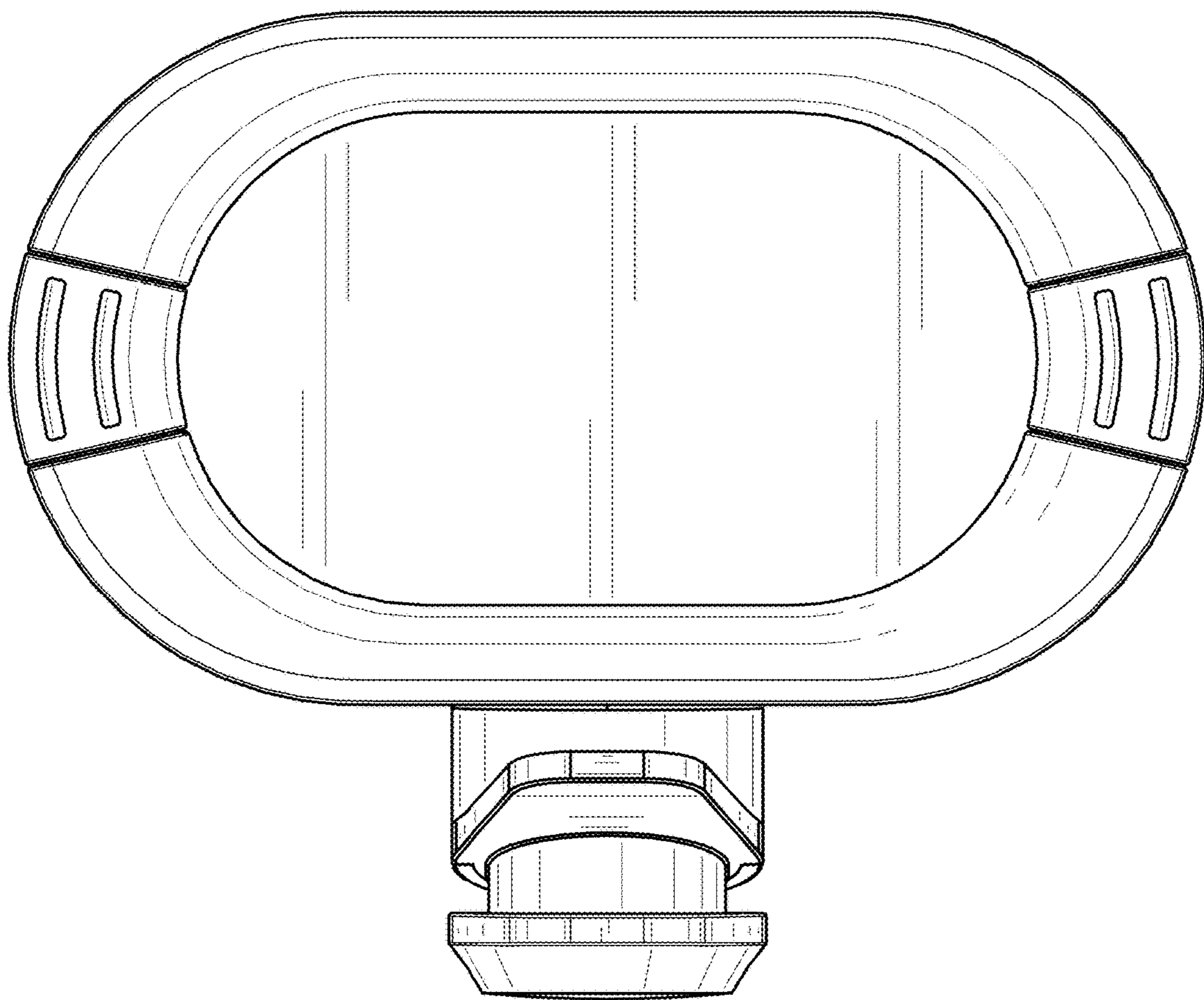


FIG. 6



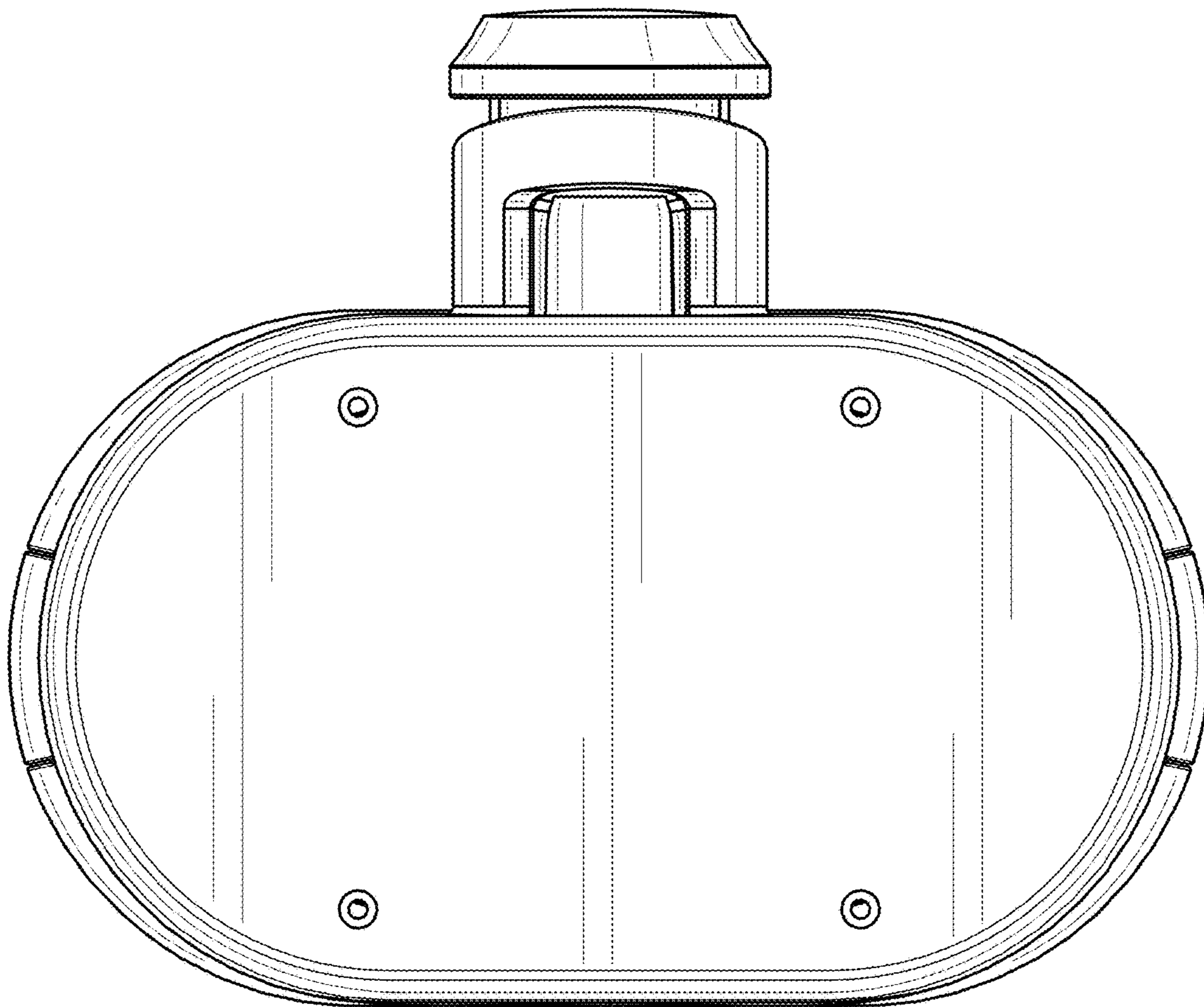


FIG. 7

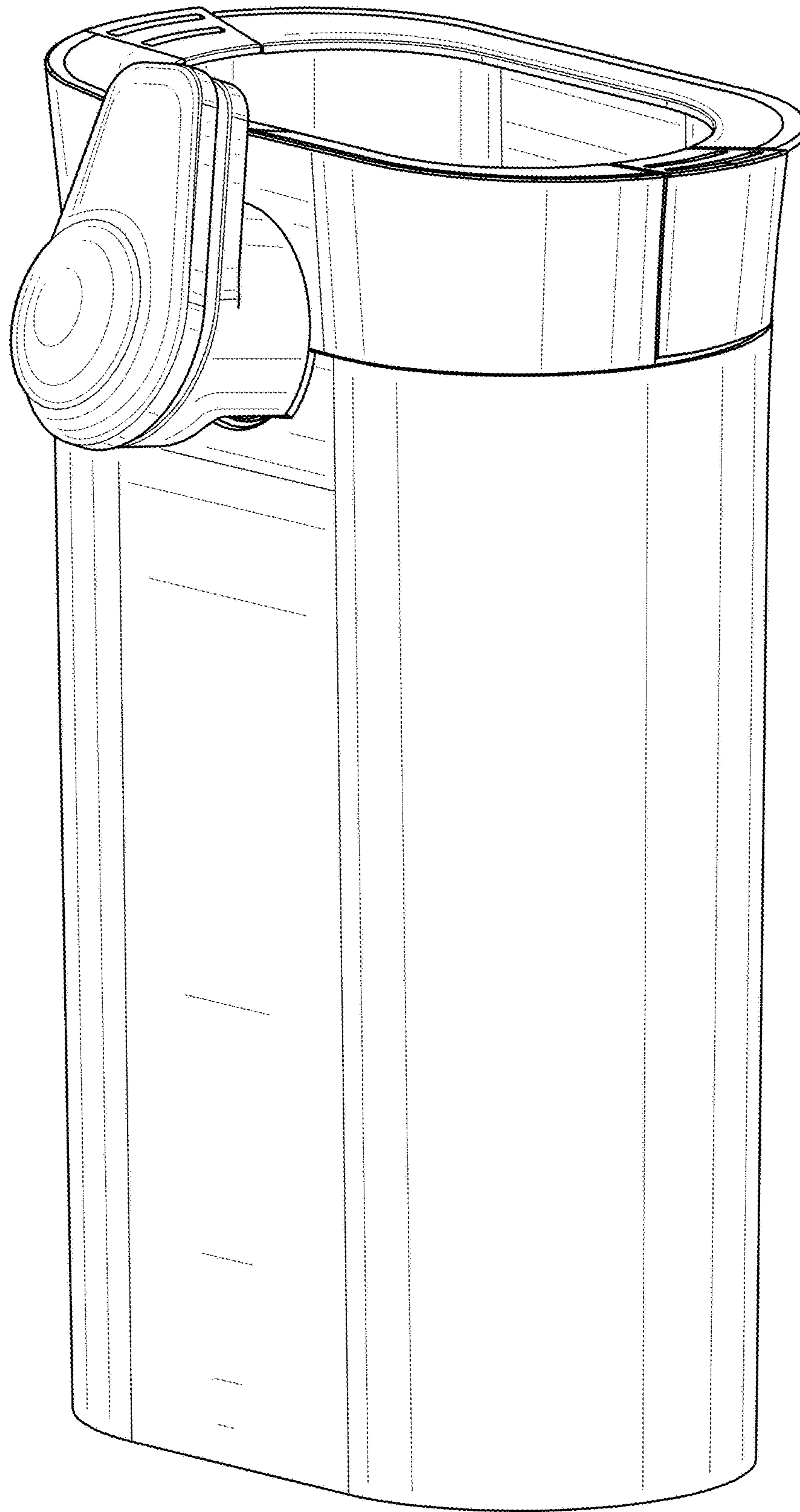


FIG. 8

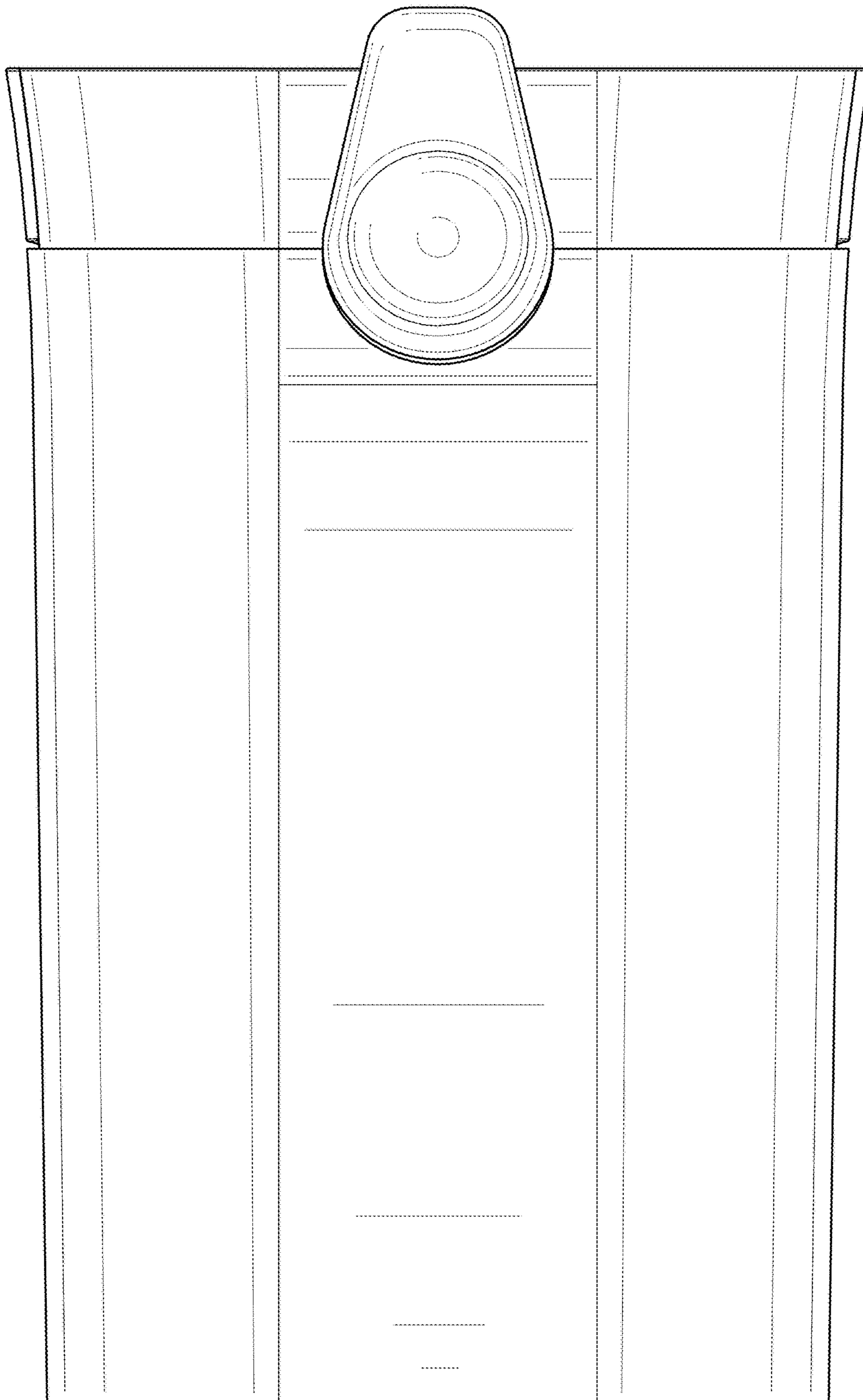


FIG. 9

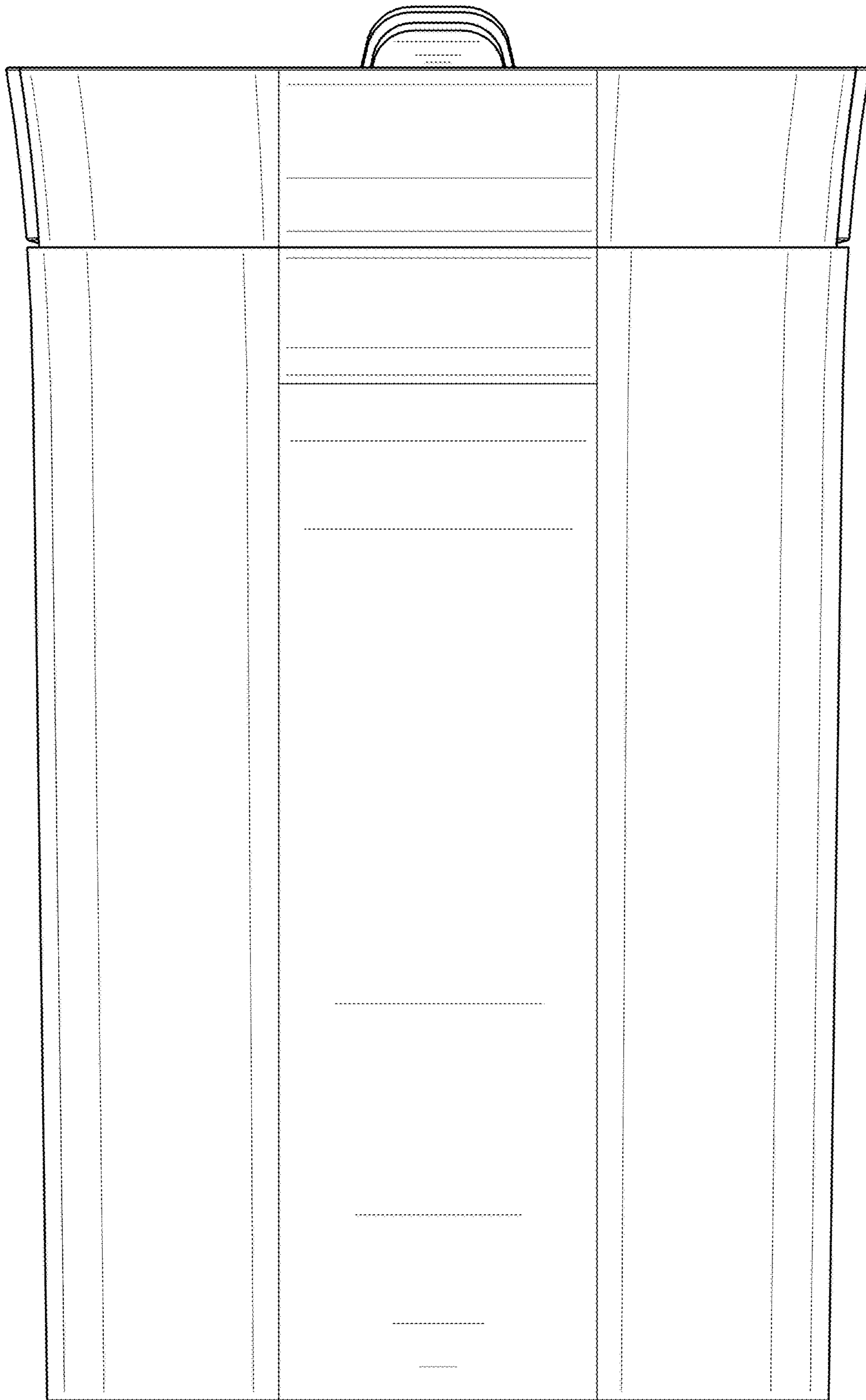


FIG. 10

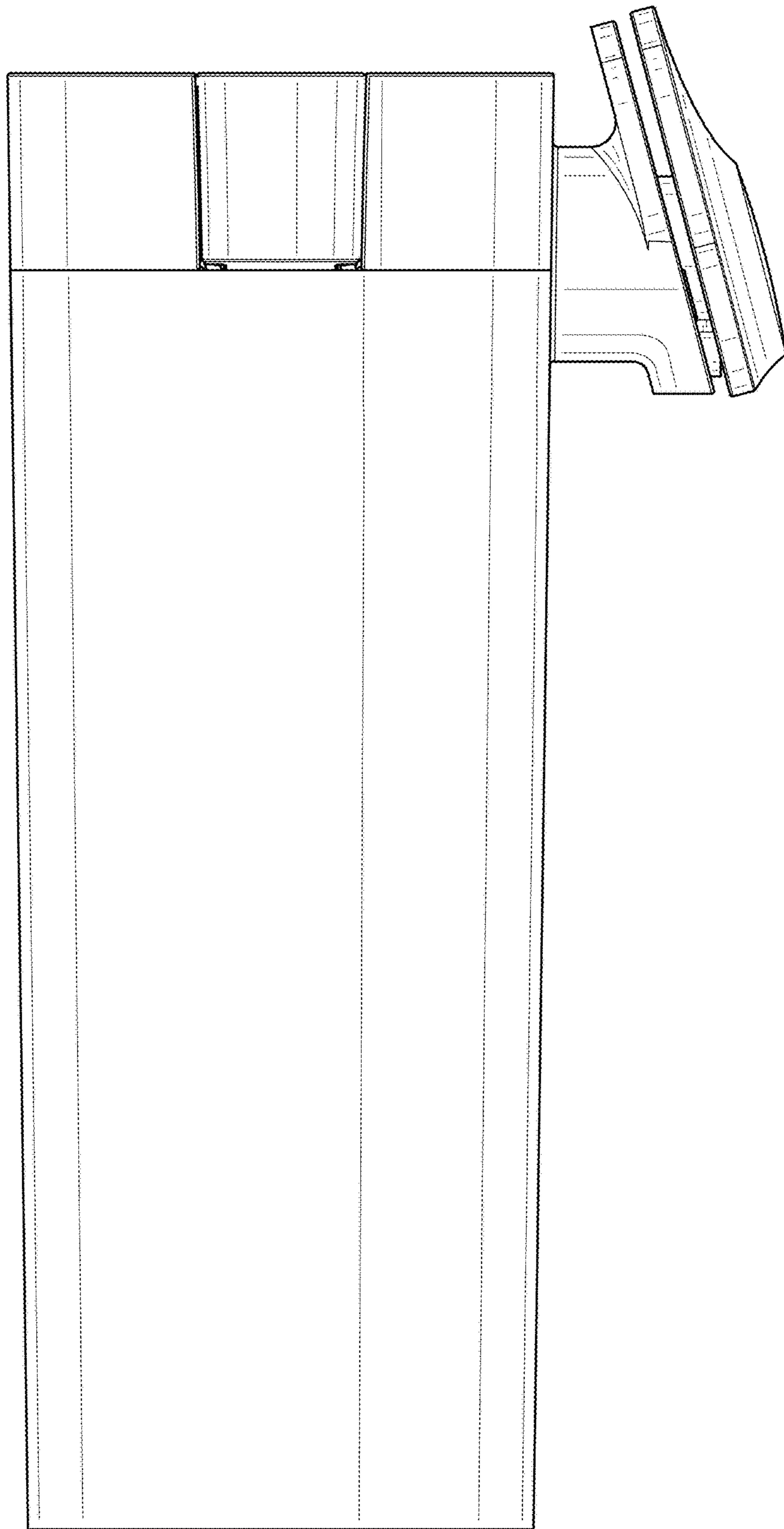


FIG. 11

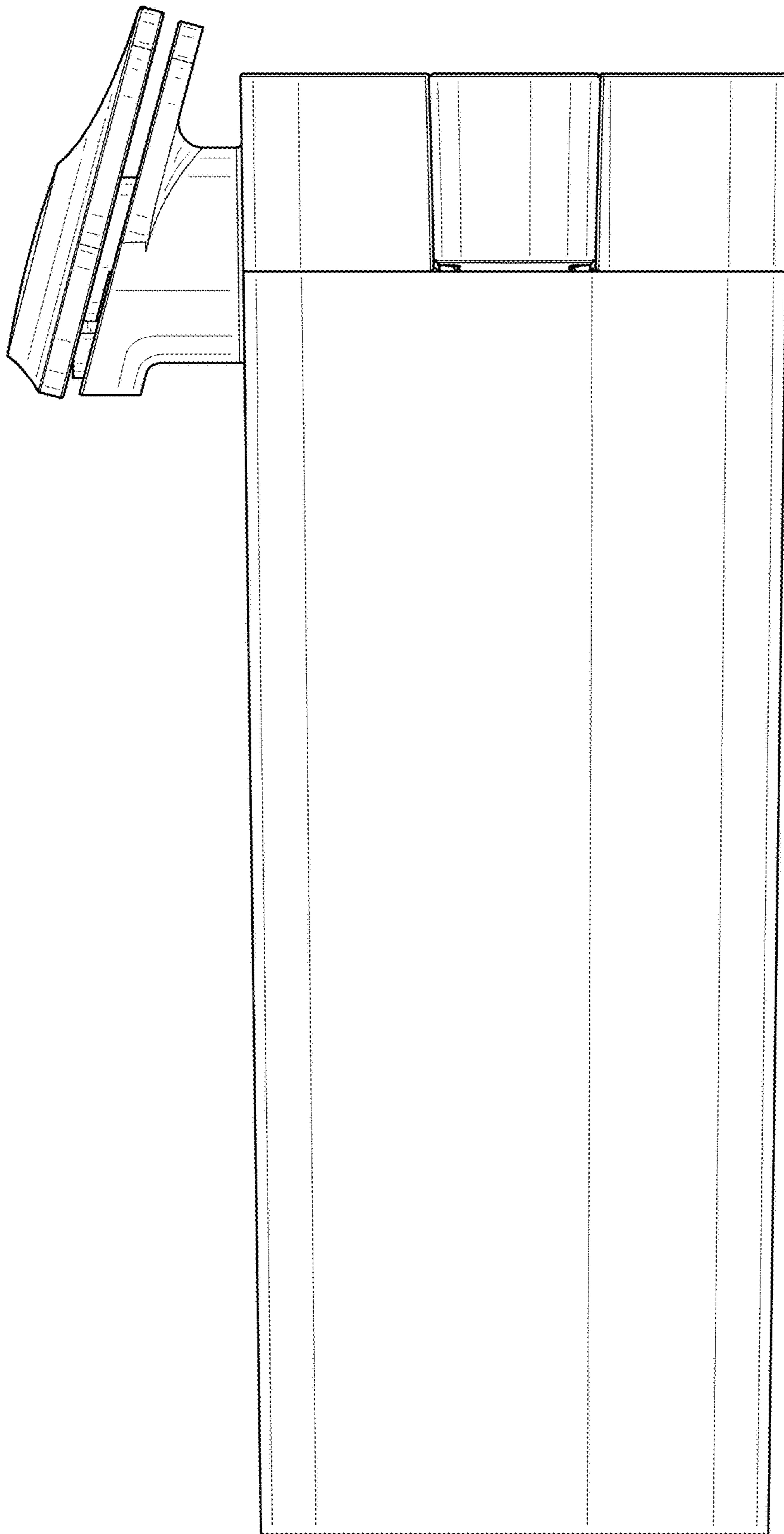


FIG. 12

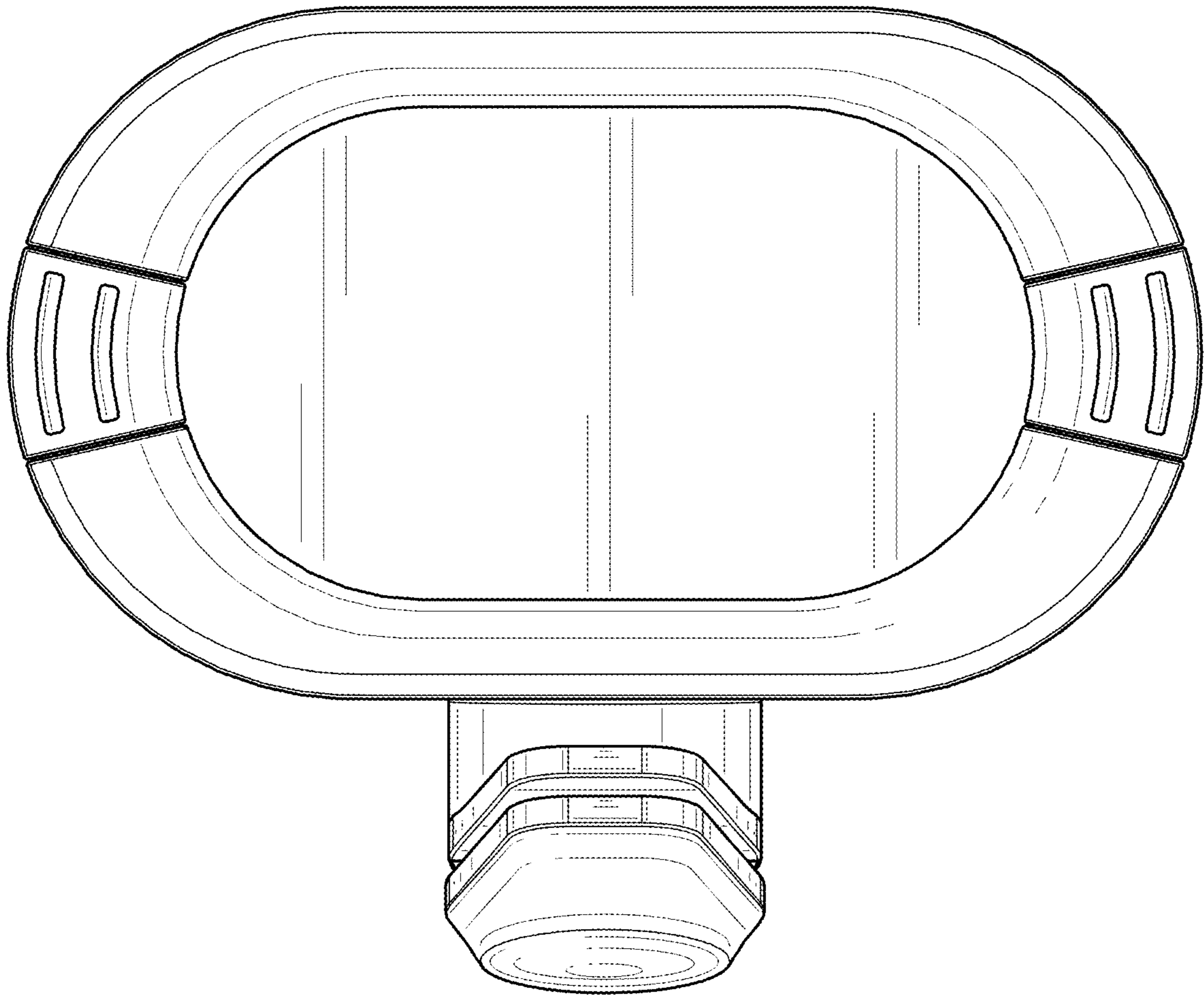


FIG. 13

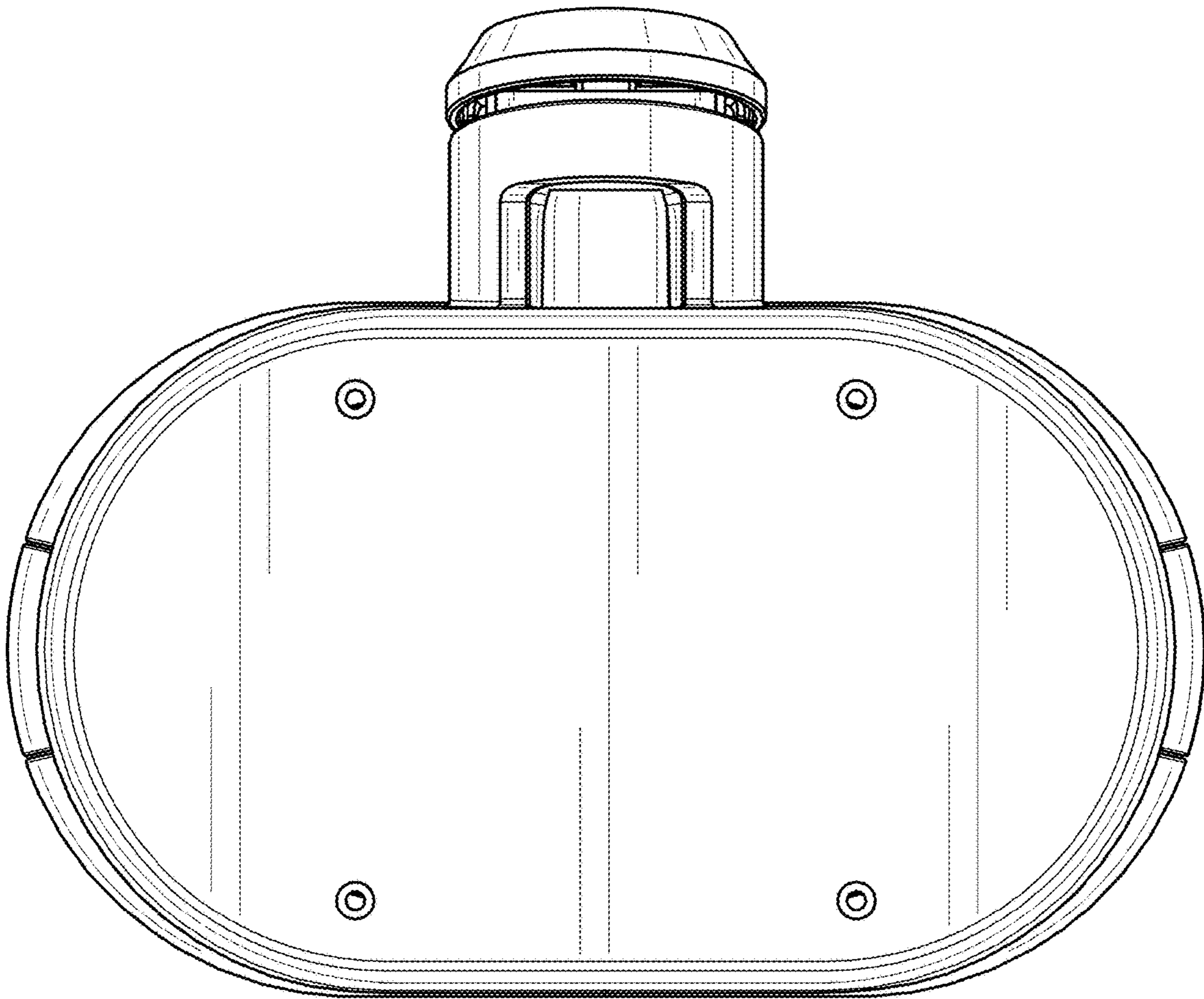


FIG. 14