



US00D789130S

(12) **United States Design Patent** (10) **Patent No.:** **US D789,130 S**
Hunt et al. (45) **Date of Patent:** **** Jun. 13, 2017**

(54) **CHAIR**
(71) Applicant: **Holly Hunt Enterprises, Inc.**, Chicago, IL (US)
(72) Inventors: **Holly Hunt**, Chicago, IL (US); **Bridgette Buckley**, Chicago, IL (US); **Alberto Velez**, Chicago, IL (US)
(73) Assignee: **Holly Hunt Enterprises, Inc.**, Chicago, IL (US)
(**) Term: **15 Years**
(21) Appl. No.: **29/547,019**
(22) Filed: **Nov. 30, 2015**
(51) **LOC (10) Cl.** **06-04**
(52) **U.S. Cl.**
USPC **D6/716; D6/379**
(58) **Field of Classification Search**
USPC D6/334, 335, 336, 349, 365, 369, 370, D6/375, 376, 379, 381, 648.1, 653.11, D6/690, 696, 716, 716.4, 717
CPC .. A47C 1/024; A47C 1/03; A47C 5/00; A47C 5/04; A47C 5/12; A47C 7/022; A47C 7/40; A47C 7/54
See application file for complete search history.

(56) **References Cited**

U.S. PATENT DOCUMENTS

D416,142 S * 11/1999 Donnelly D6/379
D436,751 S * 1/2001 Schacht D6/379
D438,398 S * 3/2001 Frinier D6/375
D495,512 S * 9/2004 Diaz-Azcuy D6/369
D534,366 S * 1/2007 Grosfillex D6/374
D547,964 S * 8/2007 Olano D6/379
D549,979 S * 9/2007 Kane D6/374
D571,564 S * 6/2008 Schmidt D6/335
D575,541 S * 8/2008 Hayes D6/374

D612,628 S * 3/2010 Mourgue D6/379
D629,224 S * 12/2010 Oliveros D6/375
D640,067 S * 6/2011 Weimer D6/379
D670,100 S * 11/2012 Krusin D6/379
D670,101 S * 11/2012 Krusin D6/379
D682,576 S * 5/2013 Digirolamo D6/379
D727,649 S * 4/2015 Ye D6/373
D728,960 S * 5/2015 Lievore et al. D6/375

(Continued)

OTHER PUBLICATIONS

Harlow Lounge Chair, posted on hollyhunt.com, earliest product appearance in Wallpaper Magazine Nov. 2016 issue, no production date given, [online], [site visited Feb. 8, 2017], Available from Internet, <URL: <https://www.hollyhunt.com/ShowProduct.aspx?ProductID=11494&ManufacturerID=1>>.*

(Continued)

Primary Examiner — Melanie H Tung
Assistant Examiner — Fritzgerald Butac

(74) *Attorney, Agent, or Firm* — Blank Rome LLP

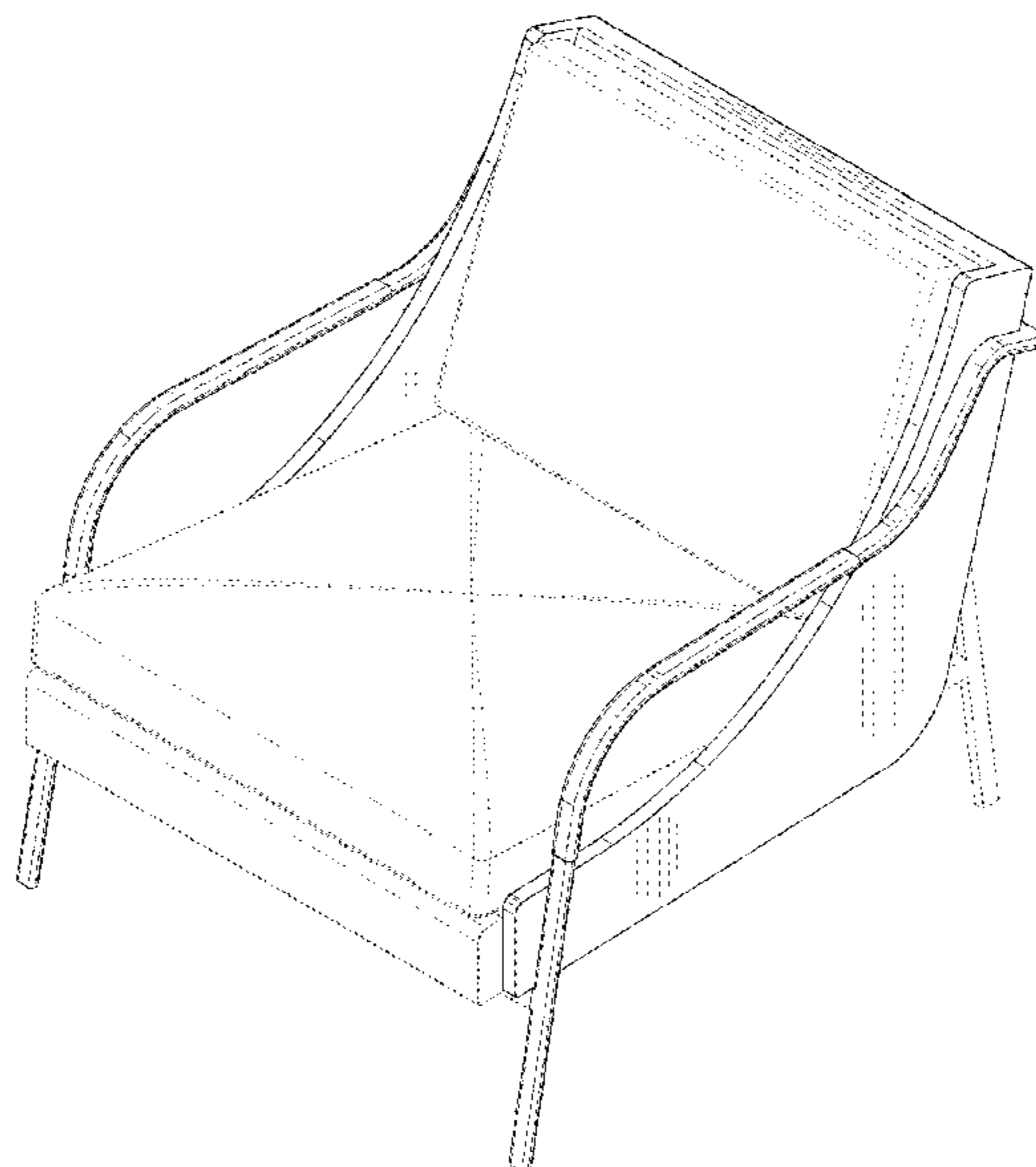
(57) **CLAIM**

The ornamental design for a chair, as shown and described.

DESCRIPTION

FIG. 1 is a perspective view of a chair in accordance with the present design;
FIG. 2 is a front view of the chair illustrated in FIG. 1;
FIG. 3 is a rear view of the chair illustrated in FIG. 1;
FIG. 4 is a right side view of the chair illustrated in FIG. 1;
FIG. 5 is a left side view of the chair illustrated in FIG. 1;
FIG. 6 is a top view of the chair illustrated in FIG. 1; and,
FIG. 7 is a bottom view of the chair illustrated in FIG. 1.
The broken lines showing parts of a chair are for the purpose of illustrating portions of the chair that form no part of the claimed design.

1 Claim, 7 Drawing Sheets



(56)

References Cited

U.S. PATENT DOCUMENTS

D736,527 S * 8/2015 Thuma D6/336
D743,710 S * 11/2015 Citterio D6/375
D759,413 S * 6/2016 Lade D6/379
D759,989 S * 6/2016 Lade D6/379
D763,002 S * 8/2016 Moscheri D6/379
D771,964 S * 11/2016 Chen D6/374

OTHER PUBLICATIONS

Prouve Fauteuil de Salon Lounge Chair, posted on hivemodern.com, circa 1939, no production date given, [online], [site visited Feb. 8, 2017], Available from Internet, <URL: <https://hivemodern.com/pages/product7024/fauteuil-de-salon-lounge-chair-jean-prouve-vitra#overview>>.*

Retro Danish Mid Century Modern Lounge Chair Eames Era, posted on danishmafia.com, circa 1960, no production date given, [online], [site visited Feb. 8, 2017], Available from Internet, <URL: <http://www.danishmafia.com/retro-danish-mid-century-modern-lounge-chair-eames-era>>.*

* cited by examiner

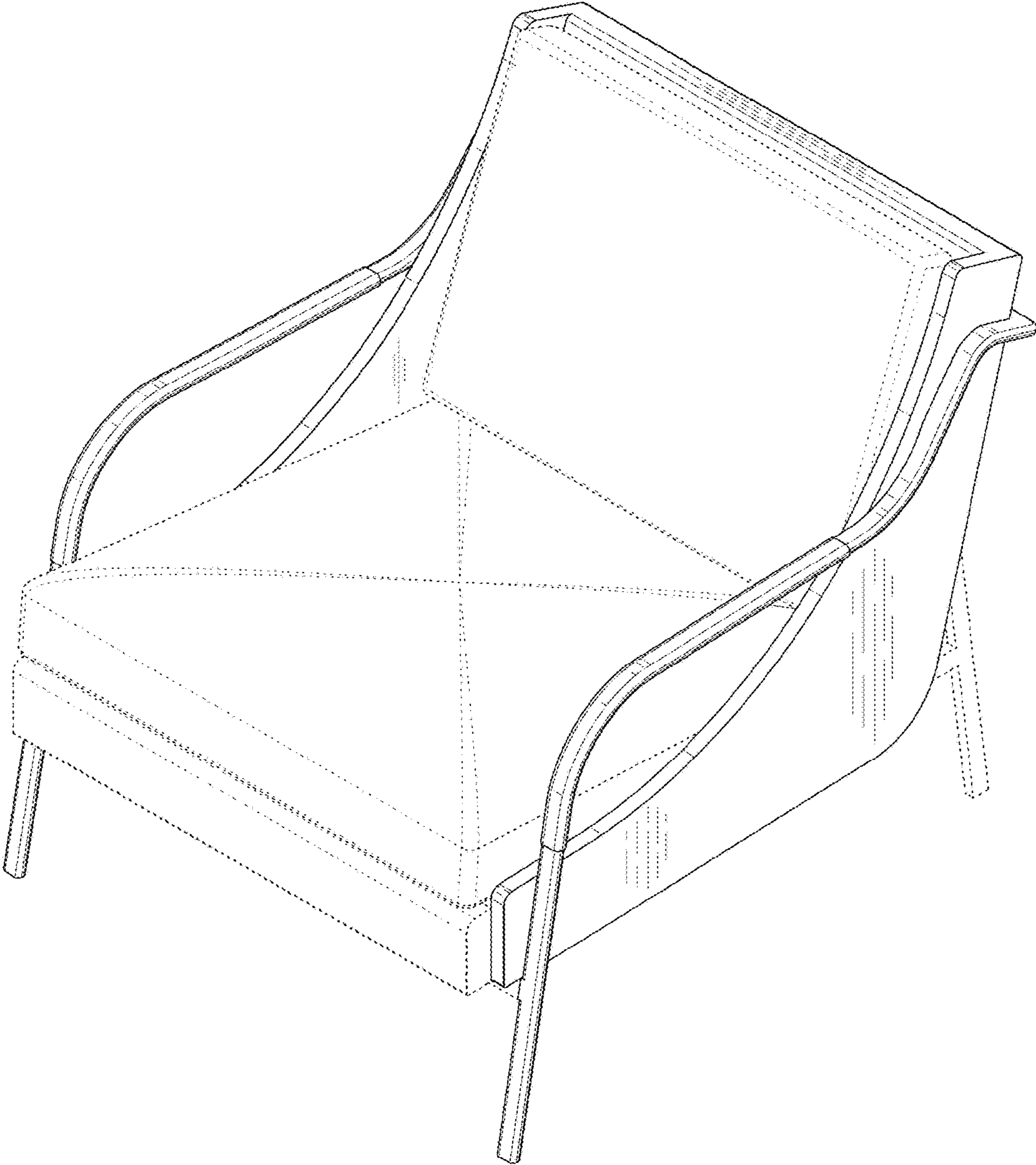


FIG. 1

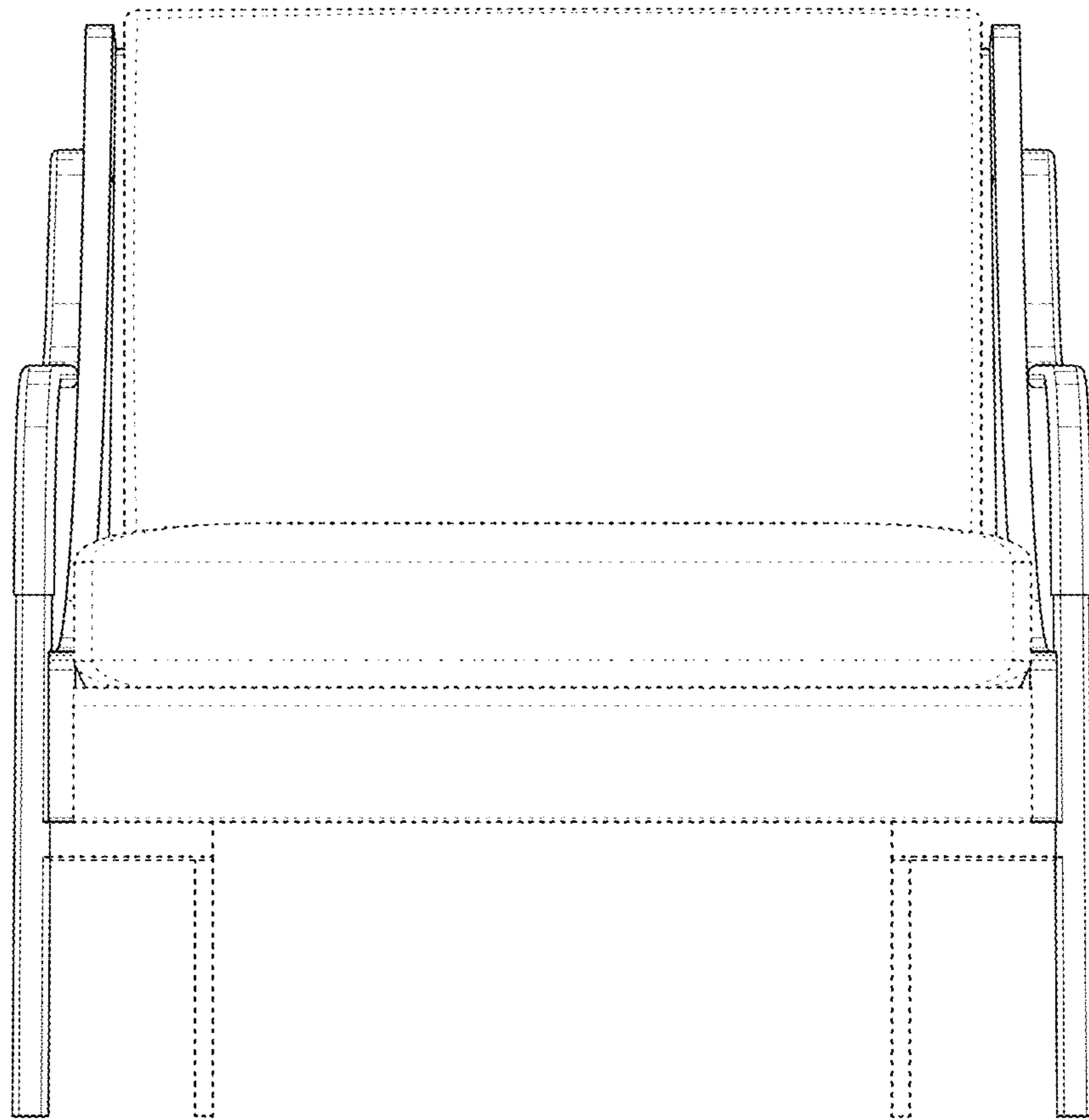


FIG. 2

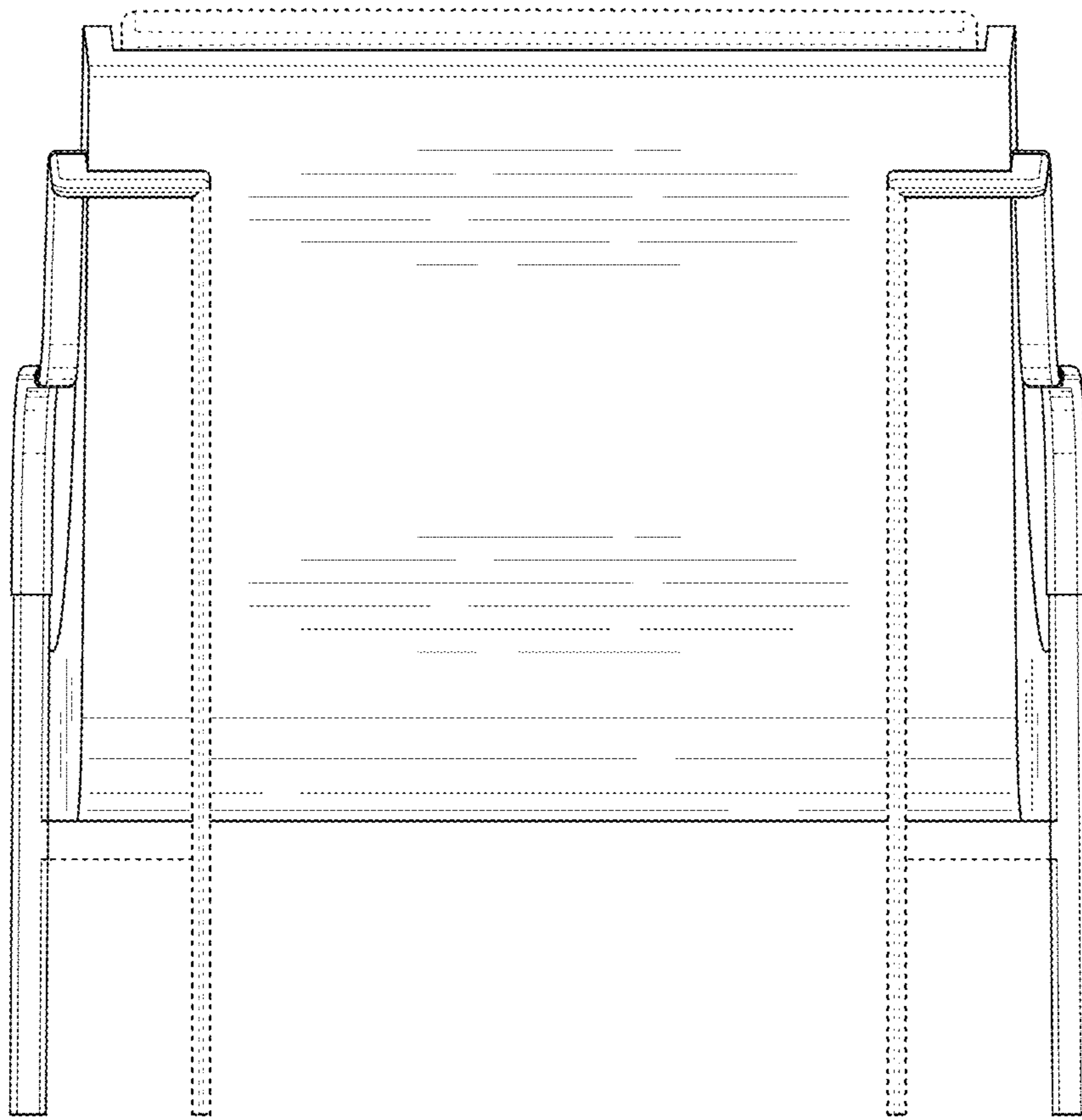


FIG. 3

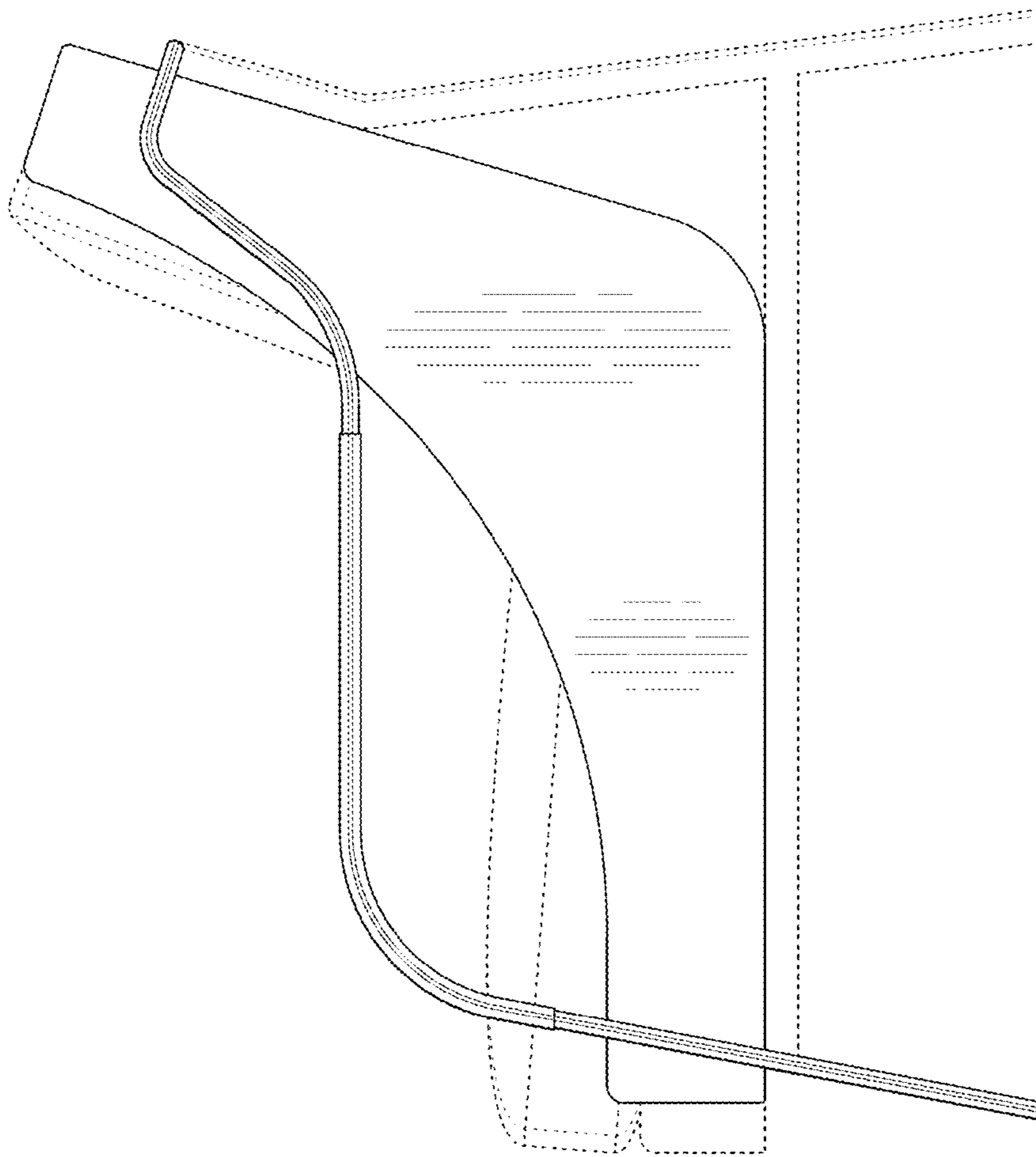


FIG. 4

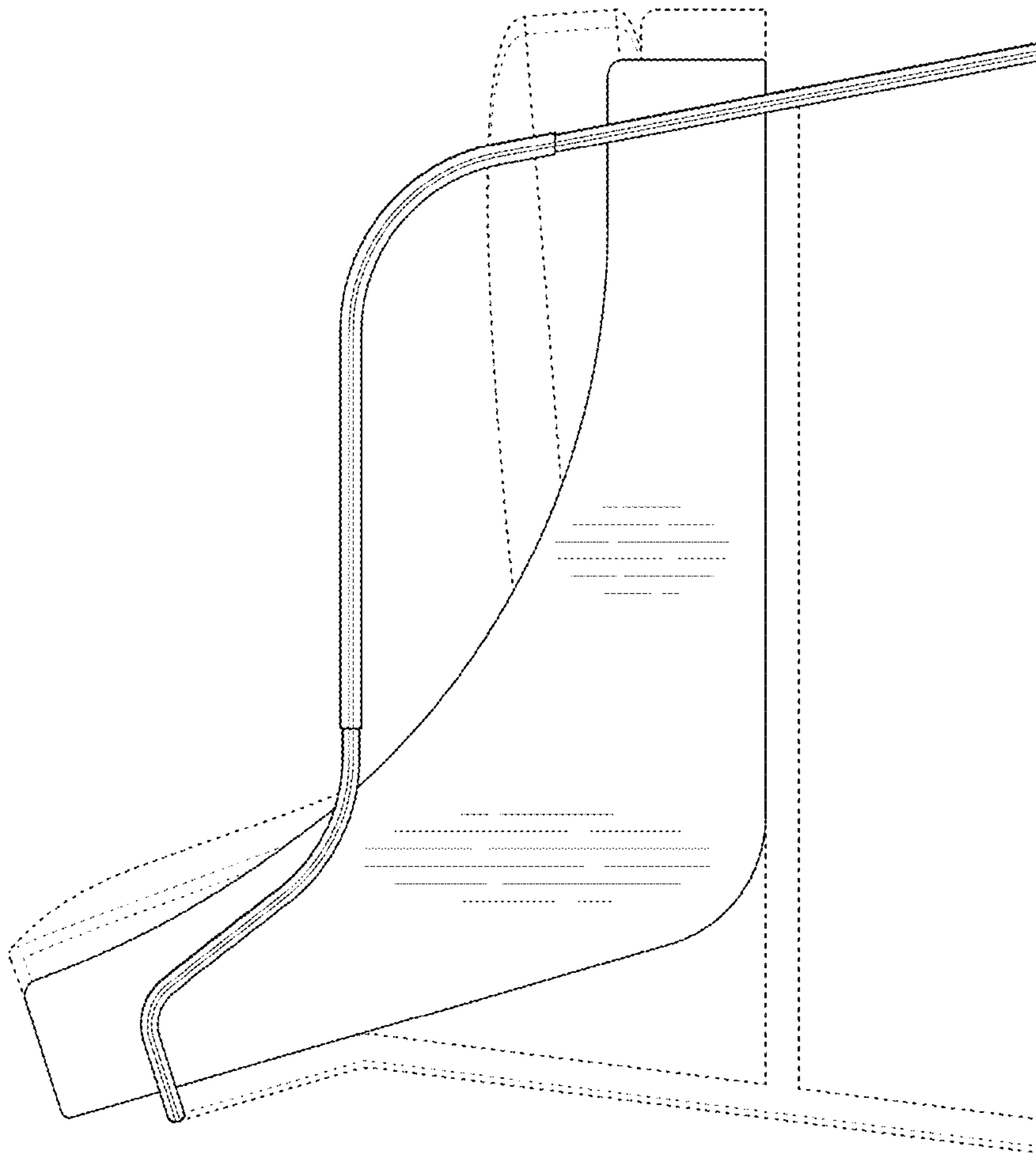


FIG. 5

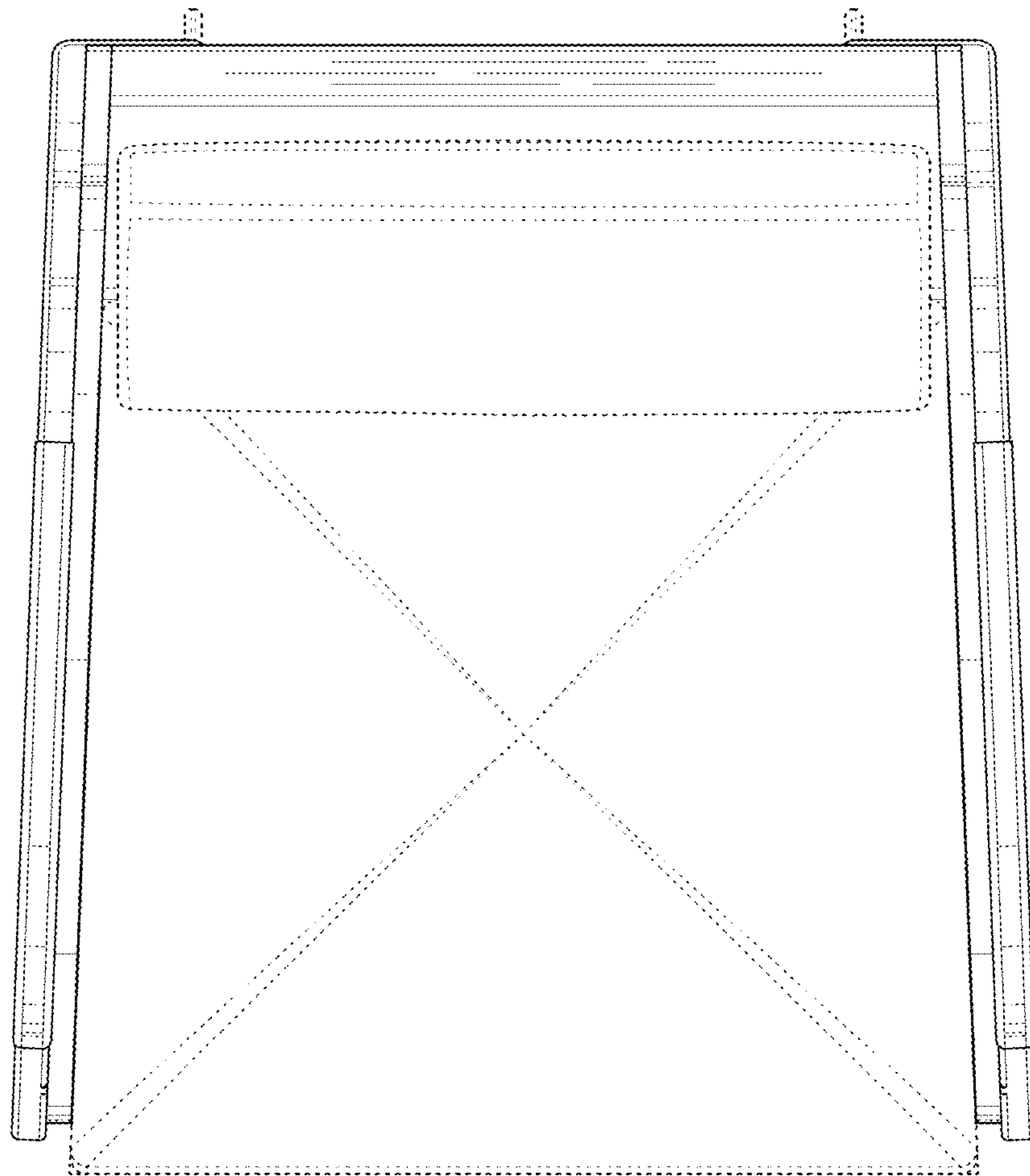


FIG. 6

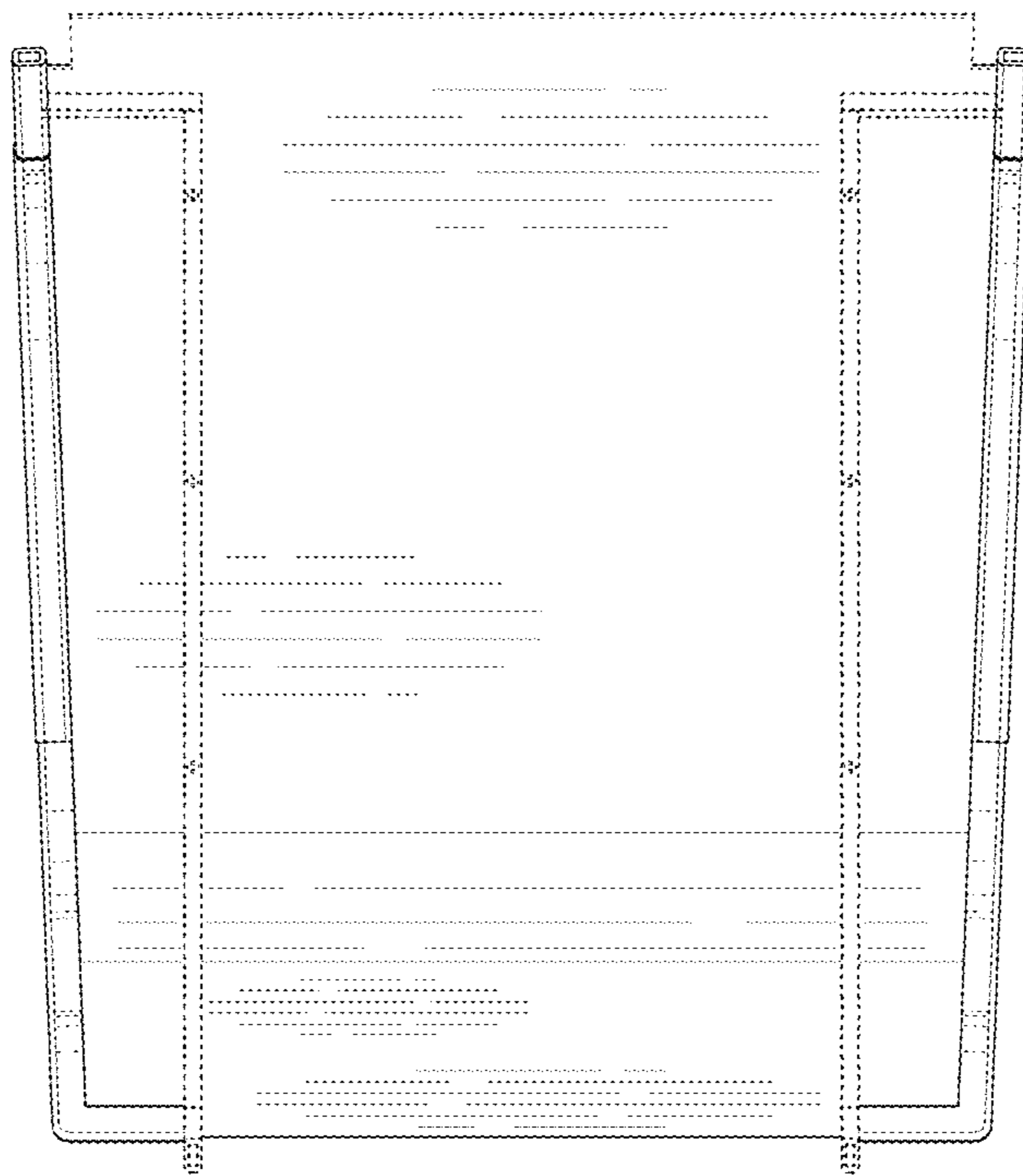


FIG. 7