



US00D789128S

(12) **United States Design Patent**
Hurford

(10) **Patent No.:** **US D789,128 S**
(45) **Date of Patent:** **** Jun. 13, 2017**

(54) **TABLE**
(71) Applicant: **Okamura Corporation**, Yokohama-shi,
Kanagawa (JP)
(72) Inventor: **Alexander Hurford**, Yokohama (JP)
(73) Assignee: **Okamura Corporation**, Kanagawa (JP)
(**) Term: **15 Years**

D498,949 S * 11/2004 Frenkler D6/691.8
D505,810 S * 6/2005 Henriott D6/691
D585,218 S * 1/2009 Hamilton D6/656
D641,186 S * 7/2011 Martin D6/709
D653,879 S * 2/2012 Najarian D6/691.1
D684,414 S * 6/2013 Tsuchiyama D6/709
D723,850 S * 3/2015 Mueller D6/709
D732,852 S * 6/2015 Park D6/656
D759,412 S * 6/2016 Koning D6/709
D763,609 S * 8/2016 Copier D6/709
D775,876 S * 1/2017 Gaschy D6/691
2007/0251428 A1* 11/2007 Mead A47B 13/02
108/50.02

(21) Appl. No.: **29/557,745**
(22) Filed: **Mar. 11, 2016**

* cited by examiner

(30) **Foreign Application Priority Data**

Primary Examiner — Mary Ann Calabrese
Assistant Examiner — Sloan Rozin

Sep. 16, 2015 (JP) 2015-020562

(74) *Attorney, Agent, or Firm* — Sughrue Mion, PLLC

(51) **LOC (10) Cl.** **06-06**

(52) **U.S. Cl.**
USPC **D6/709**

(57) **CLAIM**

(58) **Field of Classification Search**
USPC D6/671, 675, 677, 685, 687, 690, 691,
D6/691.1, 691.2, 691.3, 691.4, 691.5,
D6/691.9, 693, 695, 695.2, 696, 697, 698,
D6/699, 699.2, 703, 707, 708, 709, 709.2
CPC A47B 7/00; A47B 13/08; A47B 13/10;
A47B 21/00; A47B 2009/006; A47B
11/00
See application file for complete search history.

The ornamental design for a table, as shown and described.

DESCRIPTION

(56) **References Cited**

FIG. 1 is a perspective view of a table.
FIG. 2 is a front elevation view thereof. A rear elevation
view is a mirror image of the front elevation view.
FIG. 3 is a left side elevation view thereof.
FIG. 4 is a top plan view thereof; and,
FIG. 5 is a bottom plan view thereof.
The broken lines shown in the drawings illustrate portions of
the table that form no part of the claimed design.

U.S. PATENT DOCUMENTS

D183,441 S * 8/1958 Williams D6/709
D259,551 S * 6/1981 Oatman D34/17

1 Claim, 5 Drawing Sheets

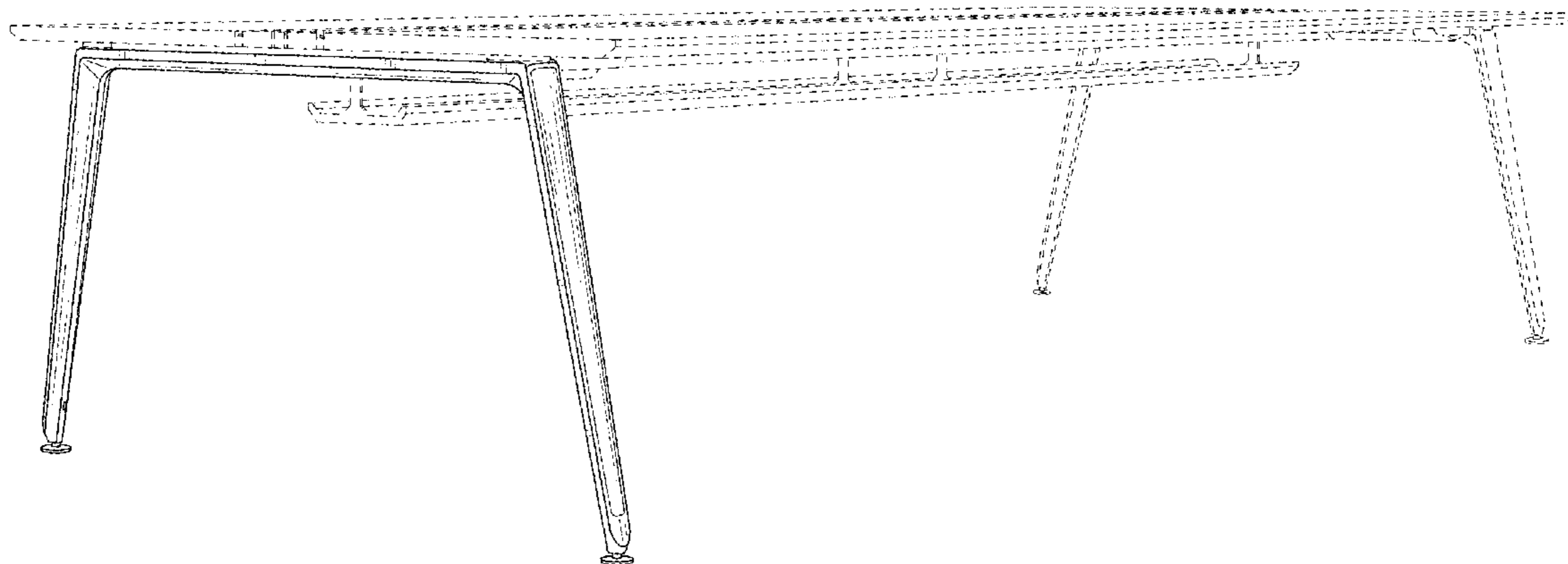


FIG. 1

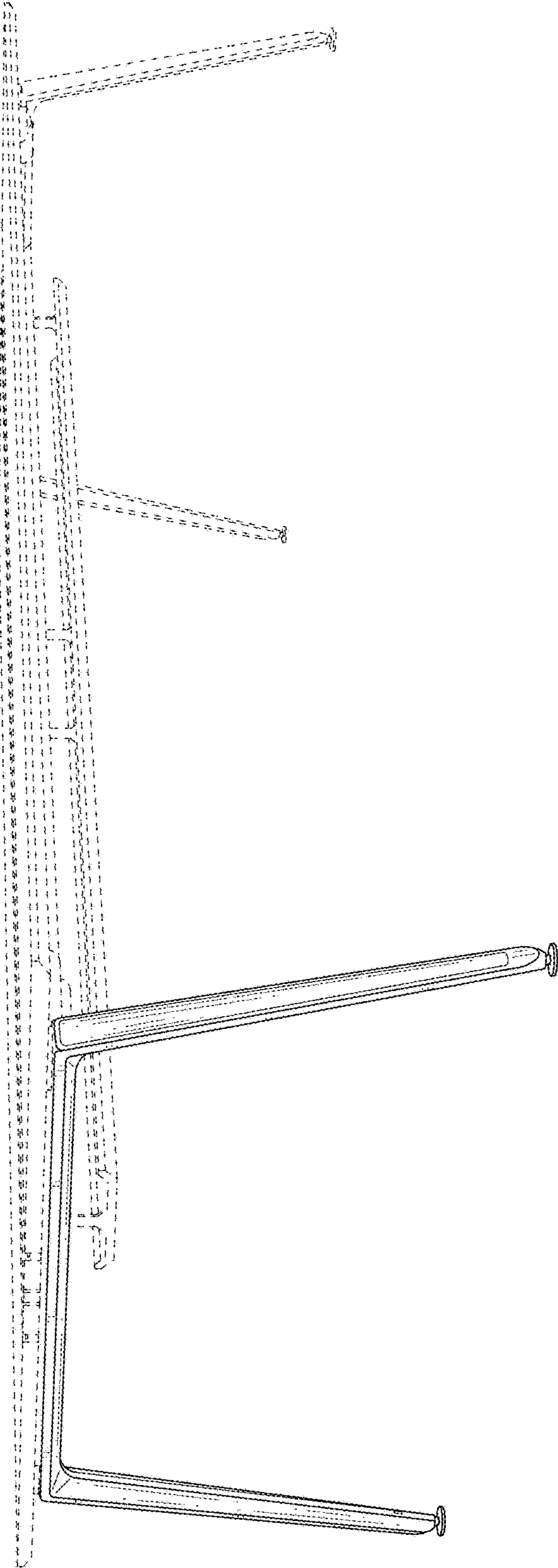


FIG. 2

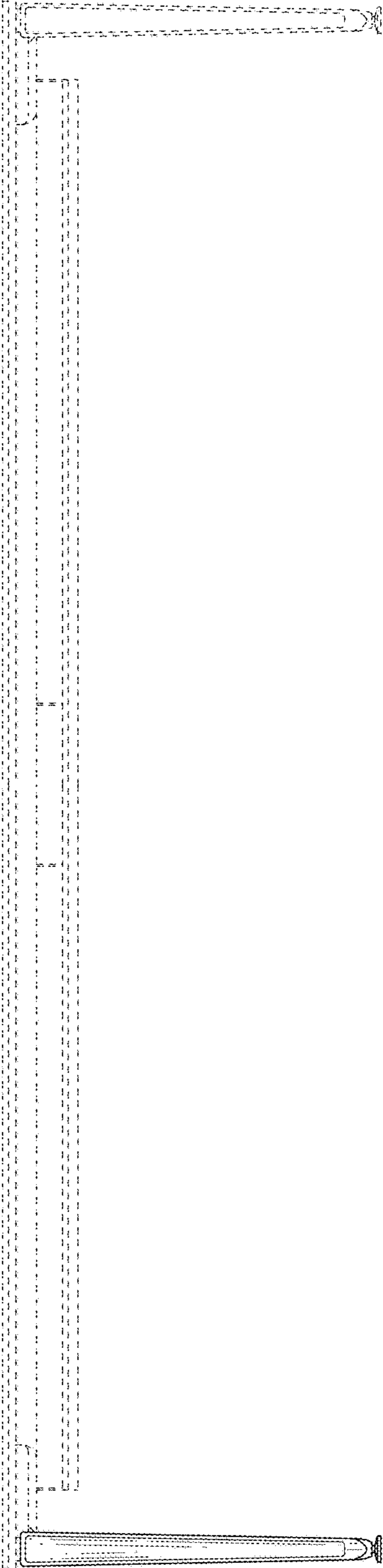


FIG. 3

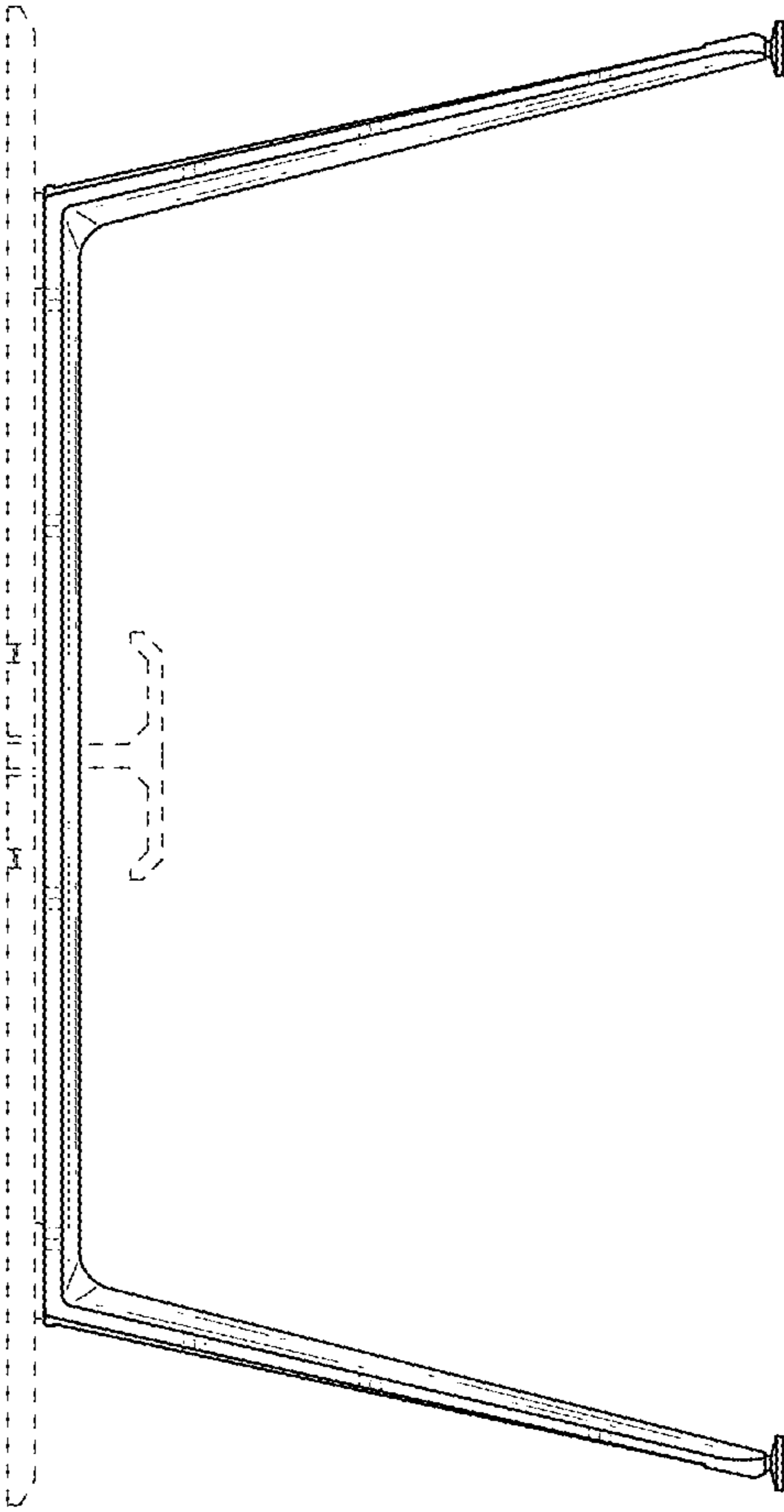


FIG. 4

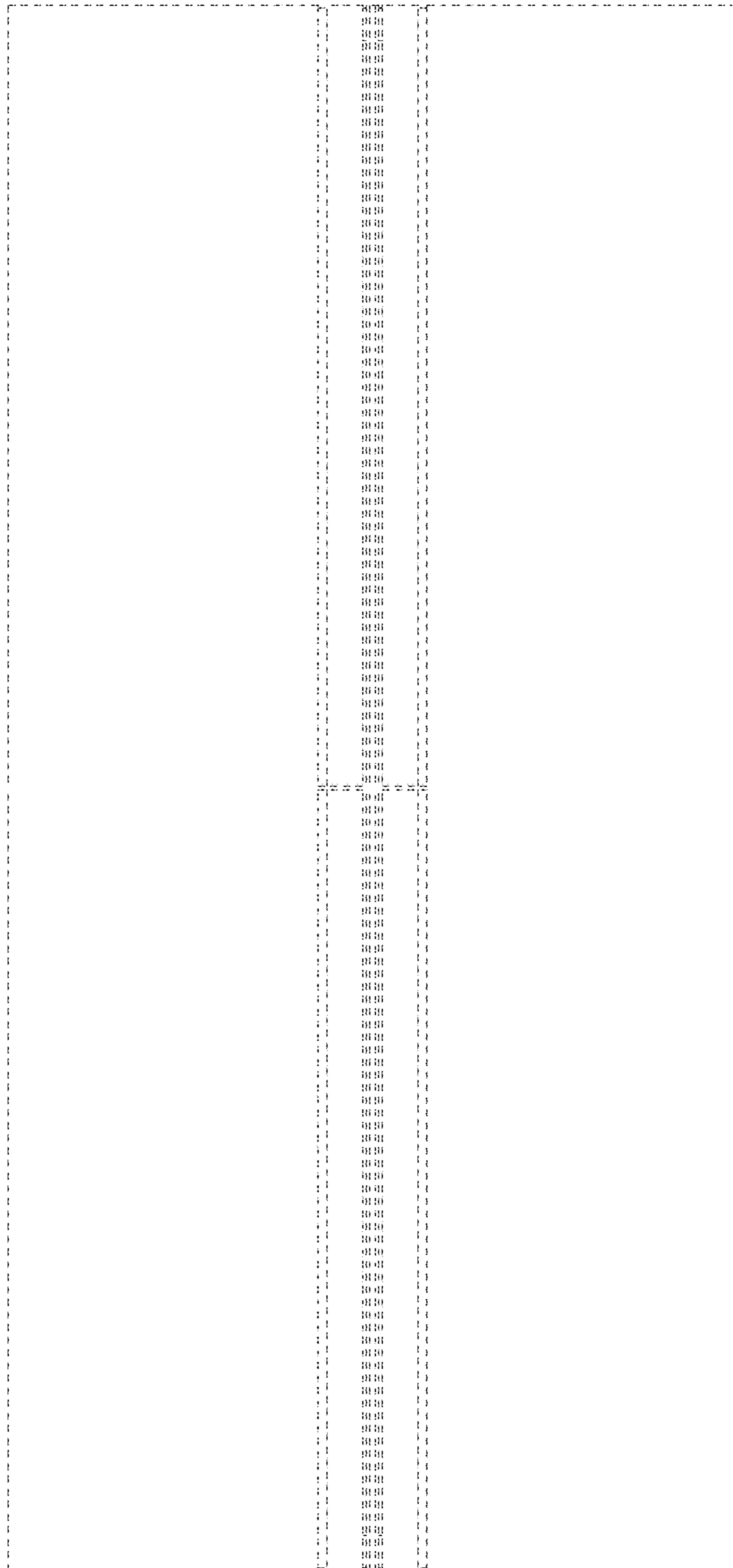


FIG. 5

