



US00D789127S

(12) **United States Design Patent**
Bang et al.

(10) **Patent No.:** **US D789,127 S**

(45) **Date of Patent:** **** Jun. 13, 2017**

(54) **TABLE TOP**

A47C 21/042; A47C 27/001; A47C
27/002; A47C 27/003; A47C

(71) Applicant: **BOMBARDIER INC.**, Dorval (CA)

(Continued)

(72) Inventors: **Seung Joon Bang**, Laval (CA); **Tim Michael Fagan**, Beaconsfield (CA)

(56) **References Cited**

U.S. PATENT DOCUMENTS

(73) Assignee: **BOMBARDIER INC.**, Dorval, Quebec (CA)

2,288,563 A * 6/1942 Fall A47B 13/08
108/27

(**) Term: **14 Years**

D149,416 S * 4/1948 Jones D6/649
(Continued)

(21) Appl. No.: **29/489,012**

OTHER PUBLICATIONS

(22) Filed: **Apr. 25, 2014**

“Used RV . . . Table” Feb. 20, 2011, Visione RV, site visited Sep. 7, 2016 <<http://en.visionerv.com/cgi-bin/md/M11590/s1.pl>>.*

(51) **LOC (10) Cl.** **06-03**

(Continued)

(52) **U.S. Cl.**

USPC **D6/707.22**

(58) **Field of Classification Search**

USPC D6/649, 406.5, 349, 678, 341, 707.22,
D6/334–336, 351, 352, 358, 360, 364,
D6/365, 366, 374, 375, 379, 380, 611,
D6/657, 662.1, 672, 674, 675, 675.1,
D6/675.3, 683, 683.1, 685, 691, 691.5,
D6/702, 708, 708.2, 708.21, 708.25, 716,
D6/716.1–716.4; D12/426.1; D14/478;
D3/304, 307, 309

CPC A47B 13/08; A47B 17/033; A47B 5/006;
A47B 5/00; A47B 9/20; A47B 3/12;
A47B 3/002; A47B 3/0809; A47C 1/143;
A47C 31/00; A47C 31/11; A47C 31/08;
A47C 31/10; A47C 31/105; A47C
31/113; A47C 31/116; A47C 4/28; A47C
4/283; A47C 4/286; A47C 4/30; A47C
4/32; A47C 4/34; A47C 4/36; A47C 4/38;
A47C 4/40; A47C 4/42; A47C 4/44;
A47C 4/46; A47C 4/48; A47C 4/50;
A47C 4/54; A47C 5/00; A47C 5/005;
A47C 5/02; A47C 7/02; A47C 7/36;
A47C 7/50; A47C 7/54; A47C 7/62;
A47C 7/66; A47C 7/425; A47C 17/00;
A47C 17/045; A47C 17/22; A47C 17/86;
A47C 19/205; A47C 21/00; A47C
21/022; A47C 21/026; A47C 21/028;

Primary Examiner — Kevin Rudzinski

Assistant Examiner — Paul Bohannon

(74) *Attorney, Agent, or Firm* — Karceski IP Law, PLLC

(57) **CLAIM**

The ornamental design for a table top, as shown and described.

DESCRIPTION

FIG. 1 is a perspective view of a table top according to the design, shown in environment;

FIG. 2 is another perspective view of the table top according to the design, shown in environment;

FIG. 3 is a top view of the table top of FIG. 2;

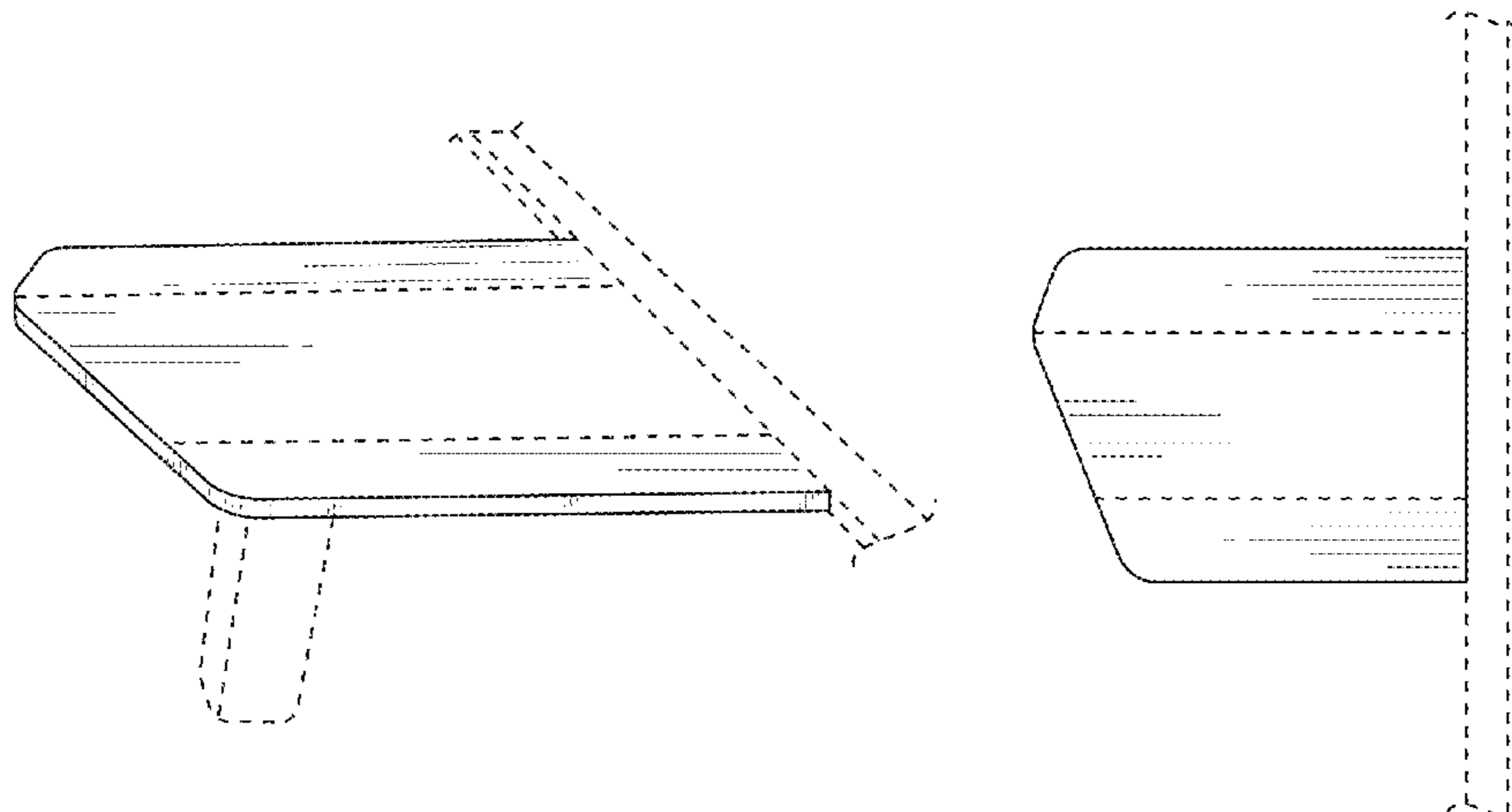
FIG. 4 is a front view of the table top of FIG. 2;

FIG. 5 is a rear view of the table top of FIG. 2; and,

FIG. 6 is a left side view of the table top of FIG. 2.

The broken lines that are included in the figures of the drawings denote aspects of the environment of the table top that form no part of the claimed design.

(Continued)



The bottom view and the right view of the table top are excluded, because they are plain and unornamented and, therefore, form no part of the claimed design.

1 Claim, 3 Drawing Sheets

(58) **Field of Classification Search**

CPC ... 27/005; A47C 27/006; A47C 27/007; A47C 27/008; A47C 27/05; A47C 27/053; A47C 27/056; A47C 27/067; A47C 3/16; A47D 1/00; B60N 2/60; B60N 2/2881; B60N 2/6018; B60N 2/6036; D05C 1/02; B64D 11/00; A47J 47/005; A61G 7/103; A45C 9/00

See application file for complete search history.

(56) **References Cited**

U.S. PATENT DOCUMENTS

D282,420 S * 2/1986 Melland D6/406.5
 D338,358 S * 8/1993 Schroeder D12/426.1
 5,317,977 A * 6/1994 Omessi A47B 17/033
 108/108
 5,802,704 A * 9/1998 Woody D05C 1/02
 192/132
 D462,972 S * 9/2002 Smyth D14/478
 D506,081 S * 6/2005 Moore D6/349
 D617,577 S * 6/2010 Day D6/678
 D730,668 S * 6/2015 Fletcher D6/341

2012/0121847 A1* 5/2012 Leng A47B 13/08
 428/73
 2013/0247797 A1* 9/2013 Hisata B64D 11/00
 108/43
 2013/0319297 A1* 12/2013 Ng A47B 5/006
 108/169
 2014/0360415 A1* 12/2014 Riis A47B 9/20
 108/147.19
 2015/0123331 A1* 5/2015 Difante A47J 47/005
 269/9
 2015/0290066 A1* 10/2015 Hengerer A61G 7/103
 128/869
 2016/0051041 A1* 2/2016 Choi A47B 3/12
 108/118
 2016/0135559 A1* 5/2016 Scally A45C 9/00
 220/592.03
 2016/0296004 A1* 10/2016 Peng A47B 3/002
 2016/0309888 A1* 10/2016 Krusin A47B 3/0809
 2016/0353876 A1* 12/2016 Mitchell A47B 5/00

OTHER PUBLICATIONS

“SoBuy Wall-mounted Drop-leaf Table, Folding Kitchen & Dining Table Desk, Children Table,60cm(23.6in)×40cm (15.7in),black,FWT03-SCH” Dec. 14, 2013, amazon.com, site visited Jan. 26, 2017 <https://www.amazon.com/SoBuy-Wall-mounted-Drop-leaf-Children-FWT03-SCH/dp/B004CEAM7Q/ref=cm_cr_ar_p_d_product_top?ie=UTF8>.*
 “McCanless Kitchen—Clipped Corner Top” Nov. 18, 2012, healthycabinetmakers.com, site visited Jan. 26, 2017 <<http://www.healthycabinetmakers.com/mccanless-commission/mccanless-kitchen-clipped-corner-top/>>.*

* cited by examiner

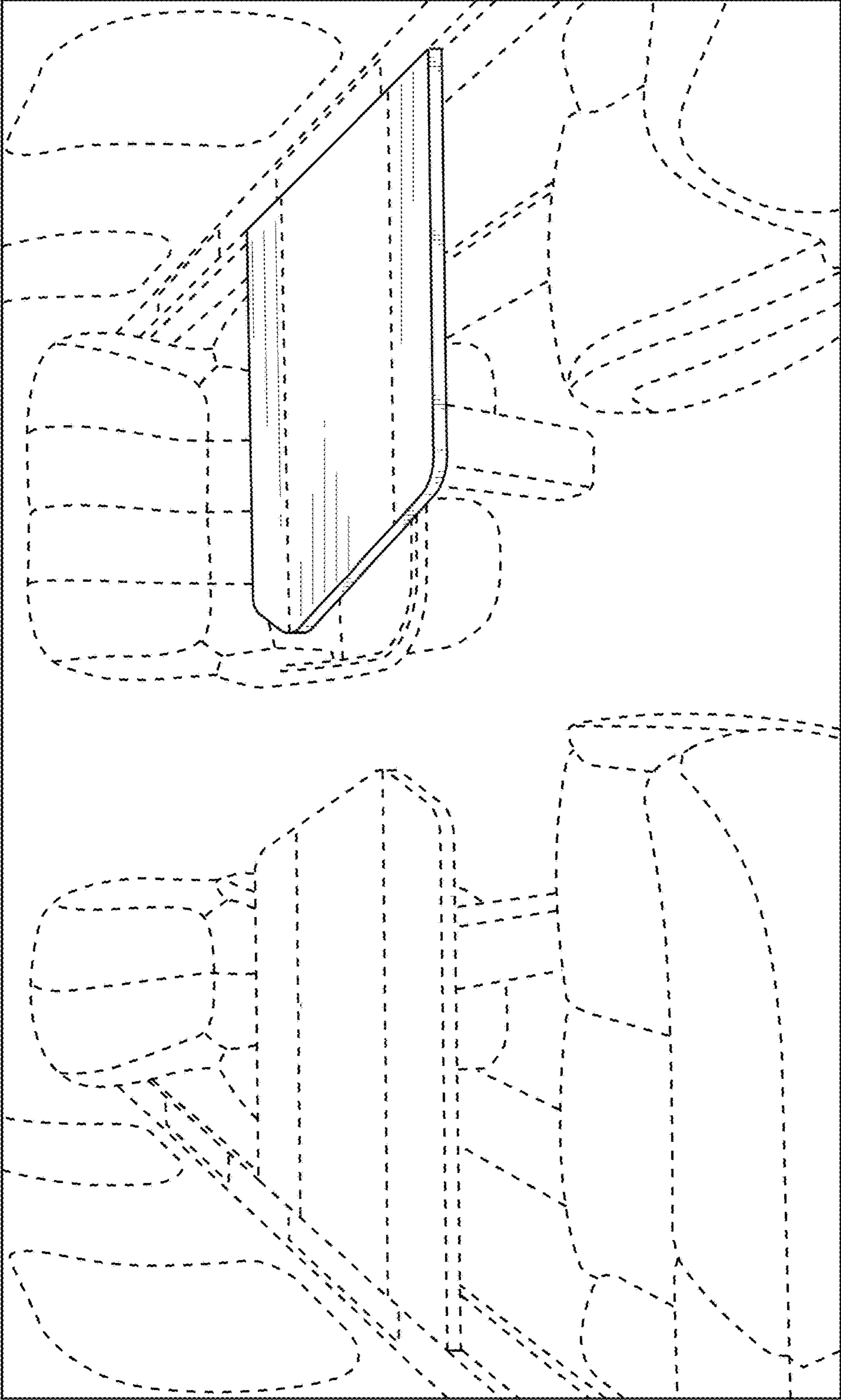


FIG. 1

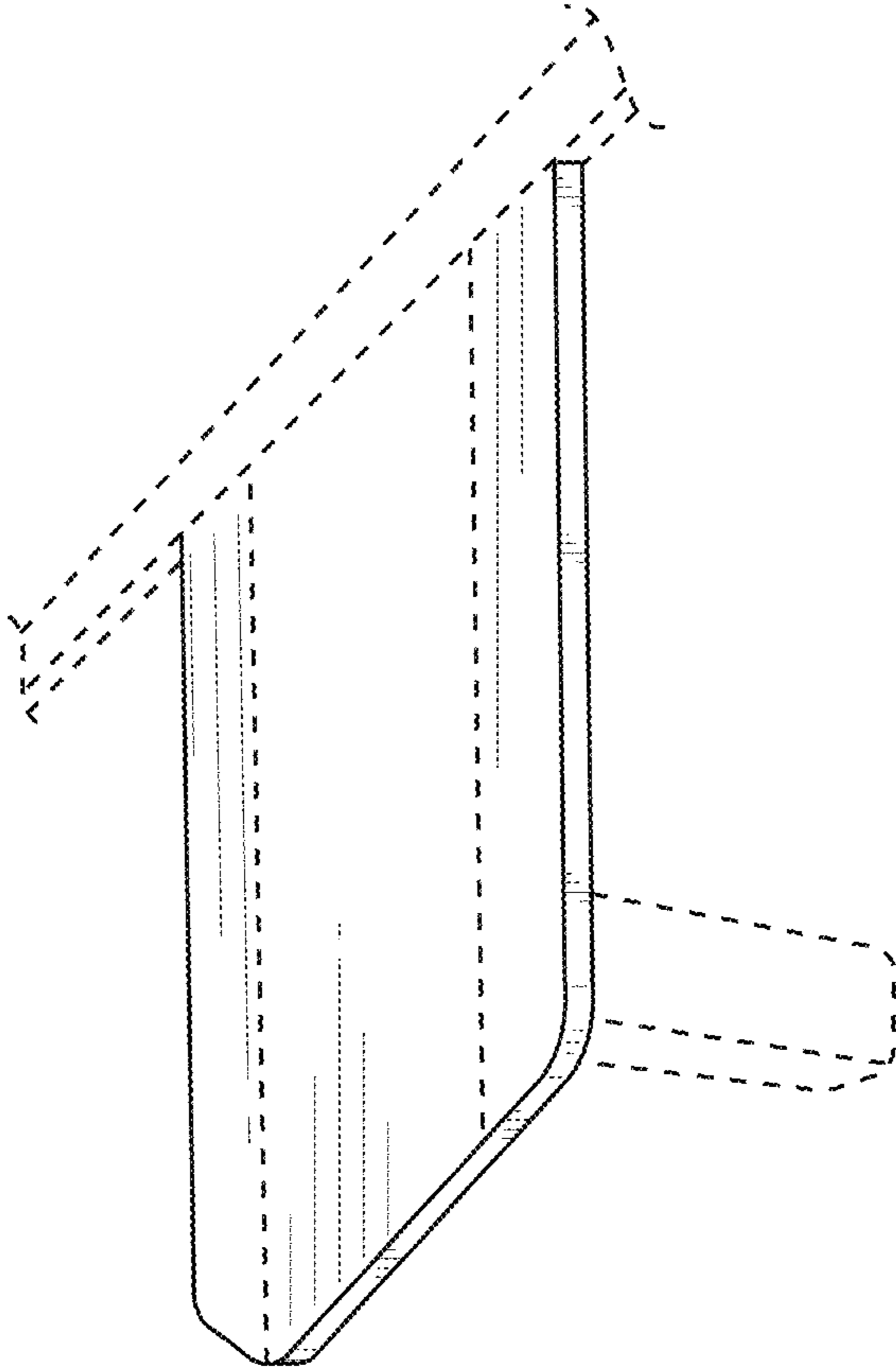


FIG. 2

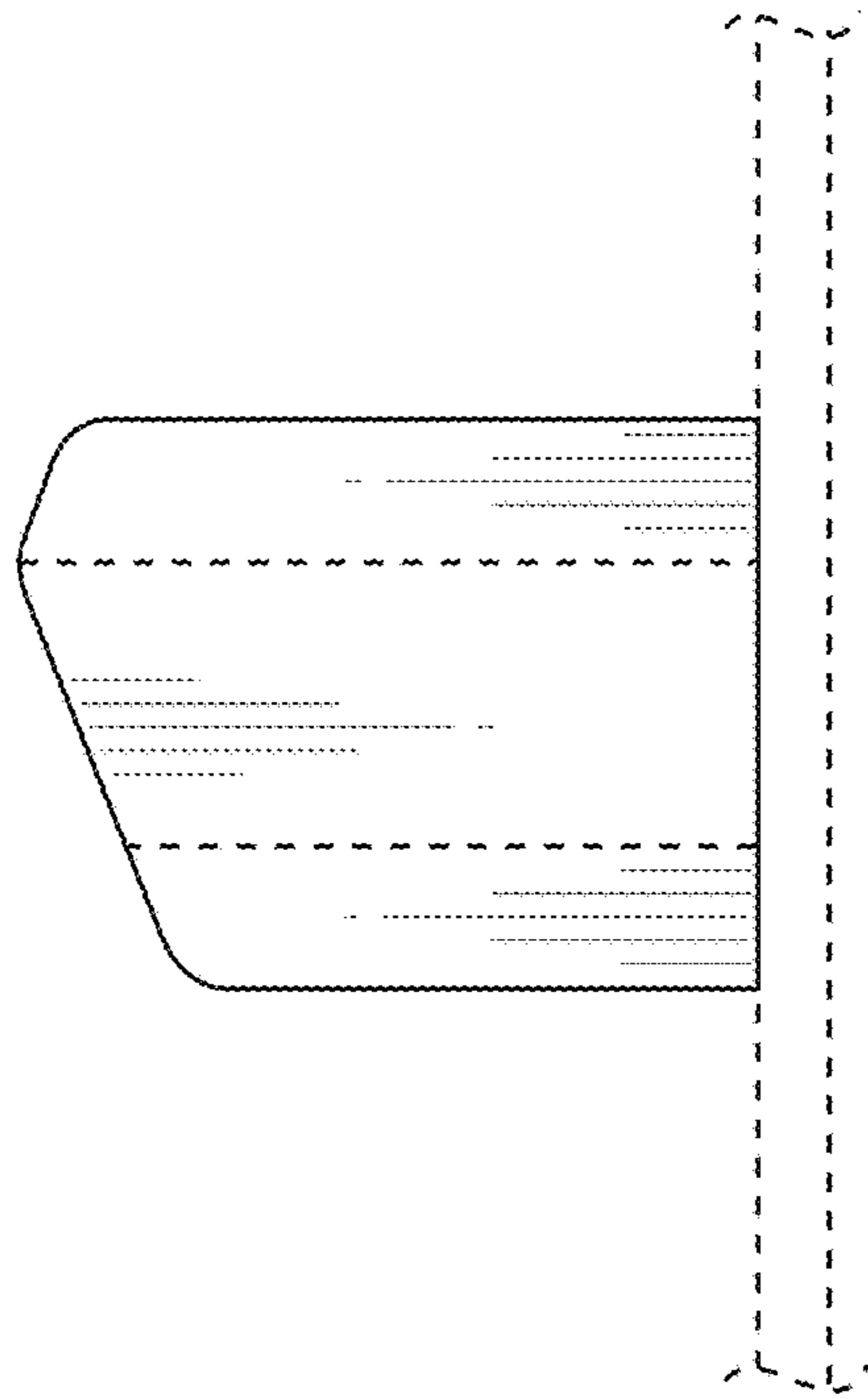


FIG. 3

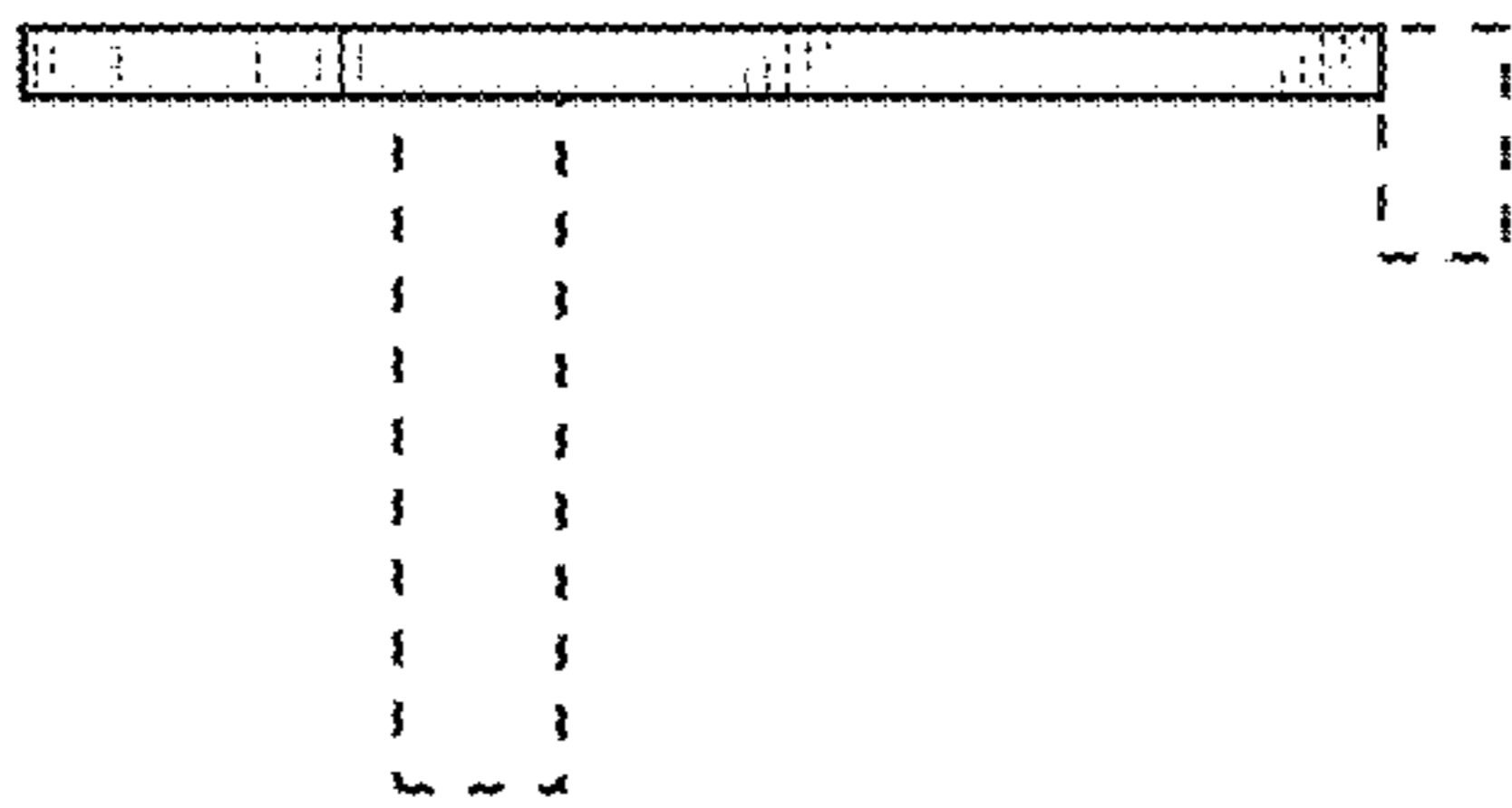


FIG. 4

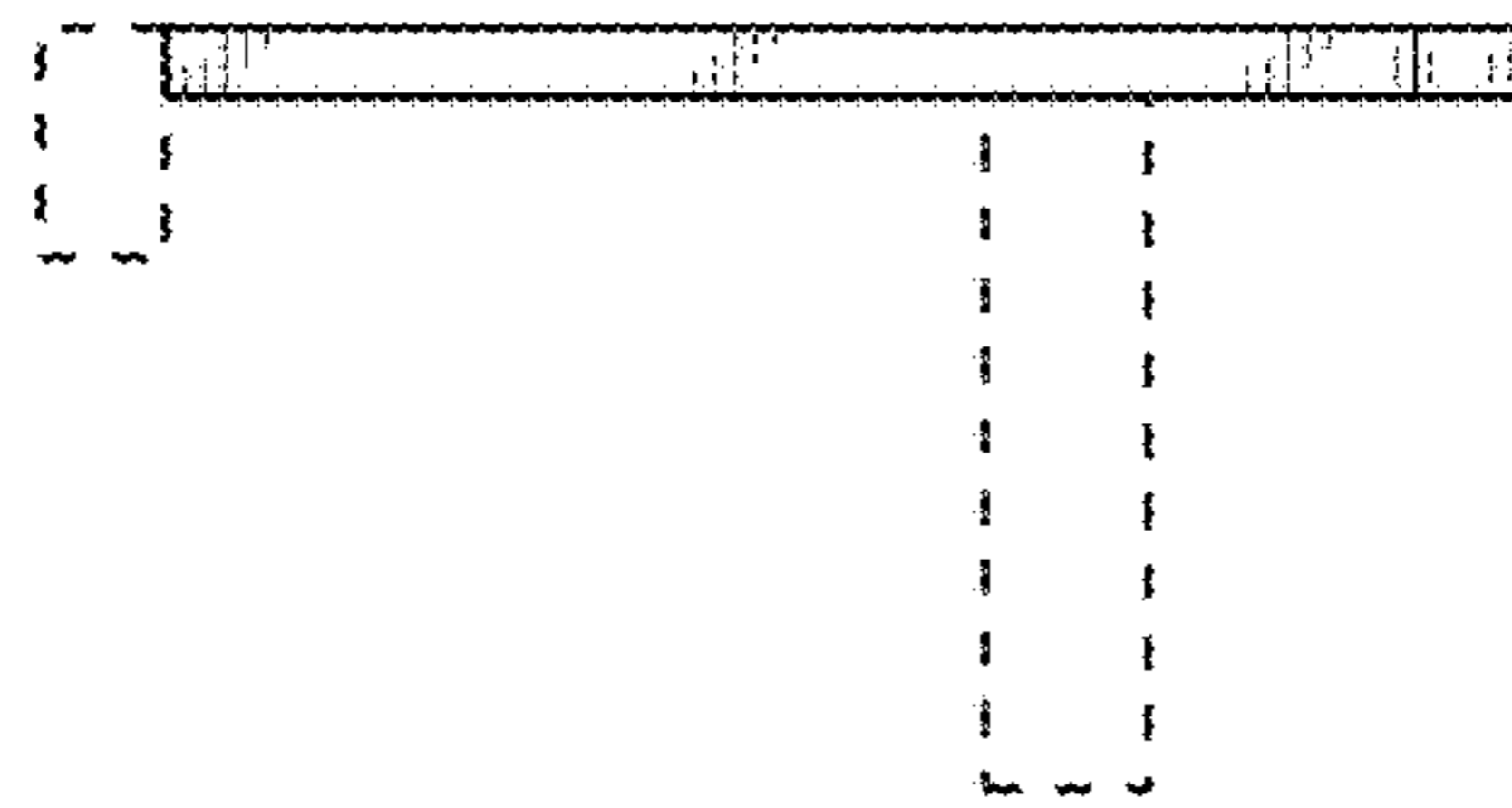


FIG. 5

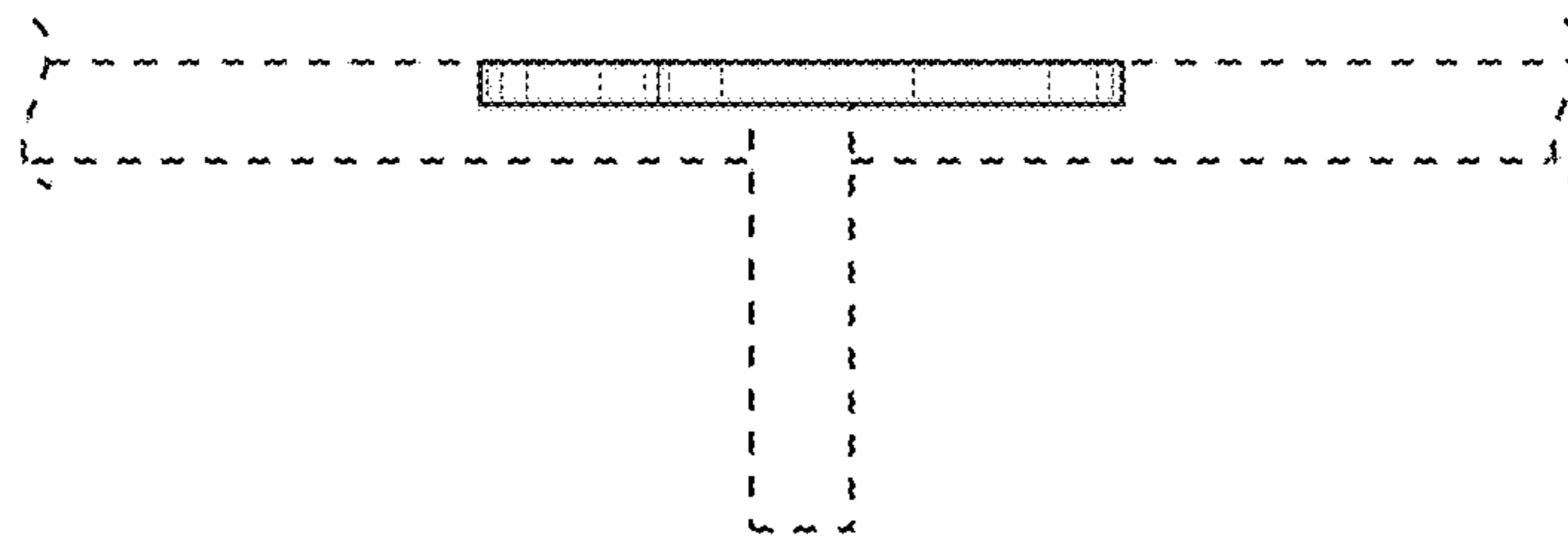


FIG. 6