



US00D789123S

(12) **United States Design Patent** (10) **Patent No.:** **US D789,123 S**
Akana et al. (45) **Date of Patent:** **** Jun. 13, 2017**

(54) **DISPLAY STAND**

(71) Applicant: **Apple Inc.**, Cupertino, CA (US)

(72) Inventors: **Jody Akana**, San Francisco, CA (US);
Bartley K. Andre, Palo Alto, CA (US);
Shota Aoyagi, San Francisco, CA (US);
Anthony Michael Ashcroft, San Francisco, CA (US);
Jeremy Bataillou, San Francisco, CA (US);
Daniel J. Coster, San Francisco, CA (US);
Daniele De Iuliis, San Francisco, CA (US);
M. Evans Hankey, San Francisco, CA (US);
Julian Hoenig, San Francisco, CA (US);
Richard P. Howarth, San Francisco, CA (US);
Jonathan P. Ive, San Francisco, CA (US);
Duncan Robert Kerr, San Francisco, CA (US);
Matthew Dean Rohrbach, San Francisco, CA (US);
Peter Russell-Clarke, San Francisco, CA (US);
Benjamin Andrew Shaffer, San Jose, CA (US);
Mikael Silvanto, San Francisco, CA (US);
Christopher J. Stringer, Woodside, CA (US);
Eugene Antony Whang, San Francisco, CA (US);
Rico Zörkendörfer, San Francisco, CA (US)

(73) Assignee: **Apple Inc.**, Cupertino, CA (US)

(**) Term: **15 Years**

(21) Appl. No.: **29/561,220**

(22) Filed: **Apr. 14, 2016**

Related U.S. Application Data

(63) Continuation of application No. 29/541,528, filed on Oct. 5, 2015, now Pat. No. Des. 753,942, which is a (Continued)

(51) **LOC (10) Cl.** **06-06**

(52) **U.S. Cl.**
USPC **D6/682.5**

(58) **Field of Classification Search**
USPC D6/677, 681, 681.1, 682, 682.1, 682.3,
D6/682.5; 211/13.1, 85.2, 85.3, 85.26,
211/85.1

(Continued)

(56) **References Cited**

U.S. PATENT DOCUMENTS

D141,791 S 7/1945 Siegel
2,549,369 A 4/1951 Epstein
(Continued)

Primary Examiner — Kelley Donnelly

(74) *Attorney, Agent, or Firm* — Sterne, Kessler, Goldstein & Fox P.L.L.C.

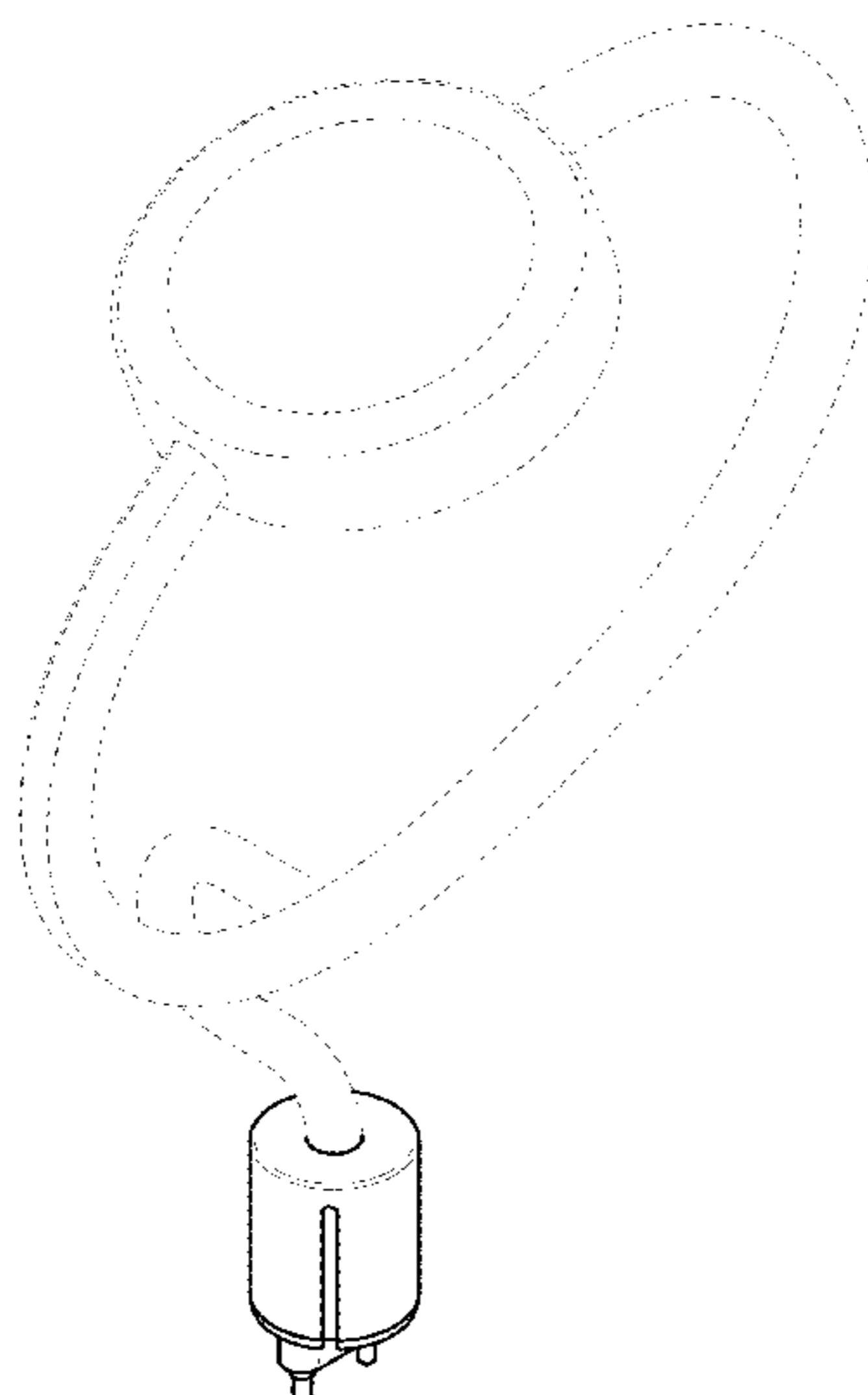
(57) **CLAIM**

The ornamental design for a display stand, as shown and described.

DESCRIPTION

FIG. 1 is a top front perspective view of a display stand showing our new design;
FIG. 2 is a front view thereof;
FIG. 3 is a rear view thereof;
FIG. 4 is a left side view thereof;
FIG. 5 is a right side view thereof;
FIG. 6 is a top view thereof;
FIG. 7 is a bottom view thereof; and,
FIG. 8 is a right side view thereof showing the display stand in an environment in which it may be used.
The broken lines in the figures show portions of the display stand or environment that form no part of the claimed design.
The shade lines in the figures show contour and not surface ornamentation.

1 Claim, 6 Drawing Sheets



Related U.S. Application Data

continuation of application No. 29/500,897, filed on Aug. 29, 2014, now Pat. No. Des. 740,060.

(58) **Field of Classification Search**

CPC A47F 5/04; A47F 7/0057; A47F 7/022
See application file for complete search history.

(56) **References Cited**

U.S. PATENT DOCUMENTS

D209,359 S	11/1967	Schuler
5,136,557 A	8/1992	Plawker et al.
5,181,608 A	1/1993	Herzog
5,377,822 A	1/1995	Herzog
5,579,906 A	12/1996	Fabbri et al.
D379,758 S	6/1997	Chu Lee
5,799,911 A	9/1998	Dostie et al.
D409,416 S	5/1999	Au
6,109,279 A	8/2000	Kloss et al.
6,264,148 B1	7/2001	Chandler
D478,740 S	8/2003	Kirshner
D499,903 S	12/2004	Zanghi et al.

D502,338 S	3/2005	Zanghi et al.	
D540,065 S	4/2007	Harris	
D577,990 S *	10/2008	Andre	D14/205
D599,241 S	9/2009	Andre et al.	
D643,844 S	8/2011	Akana et al.	
D662,939 S	7/2012	Akana et al.	
D665,754 S *	8/2012	Cobbett	D13/147
D696,259 S	12/2013	Howarth et al.	
D735,131 S	7/2015	Akana et al.	
D770,456 S *	11/2016	Akana	D14/433
2007/0229025 A1 *	10/2007	Tsai	H01R 13/2442
			320/111
2007/0293079 A1 *	12/2007	Chao	H01R 13/6275
			439/352
2014/0073183 A1 *	3/2014	Golko	H01R 13/6594
			439/607.34
2014/0073206 A1 *	3/2014	Golko	B29C 45/14655
			439/887
2014/0075051 A1 *	3/2014	Zadesky	G06F 13/385
			710/3
2014/0075067 A1 *	3/2014	Mullins	H04M 1/0274
			710/105

* cited by examiner

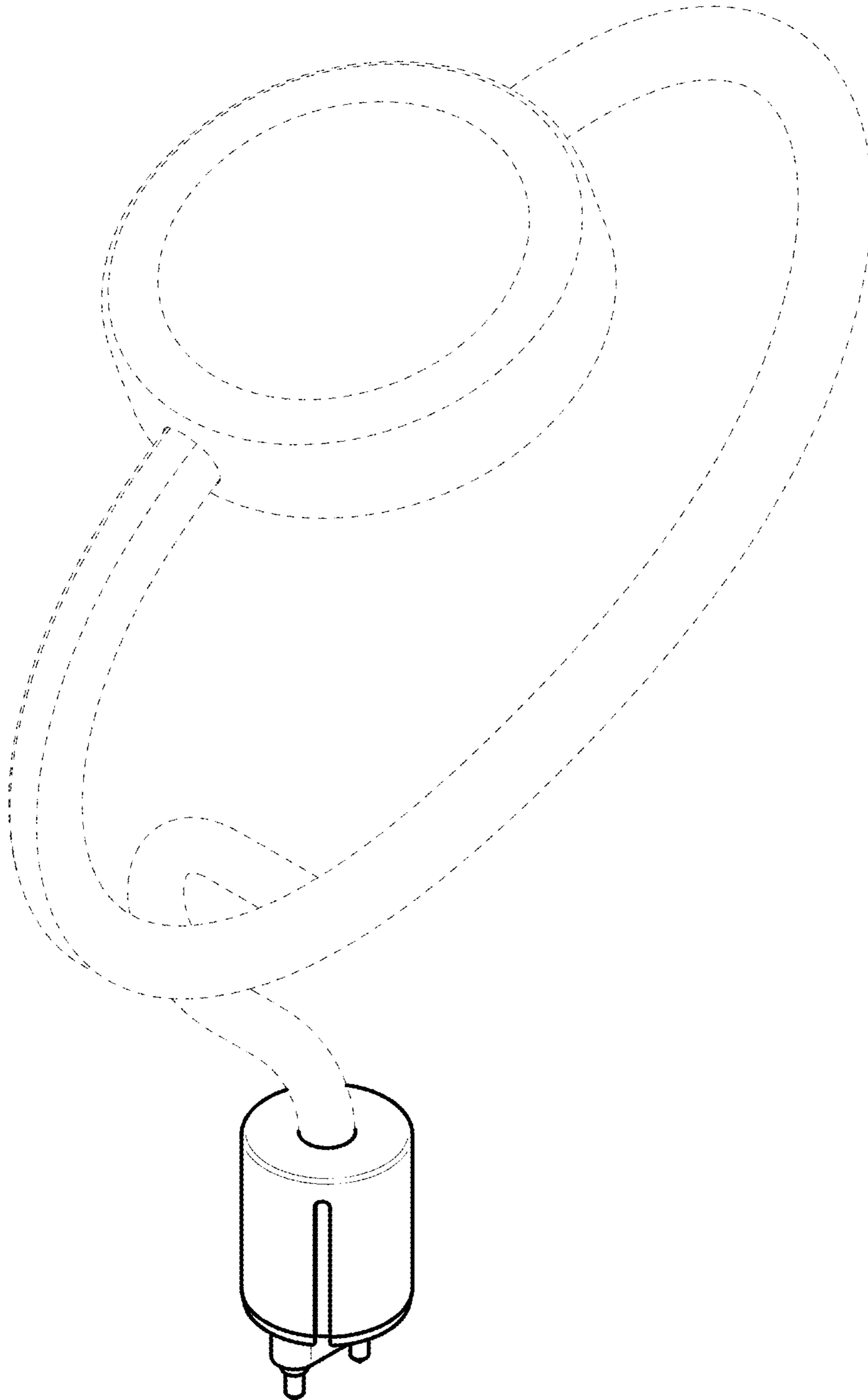


FIG. 1

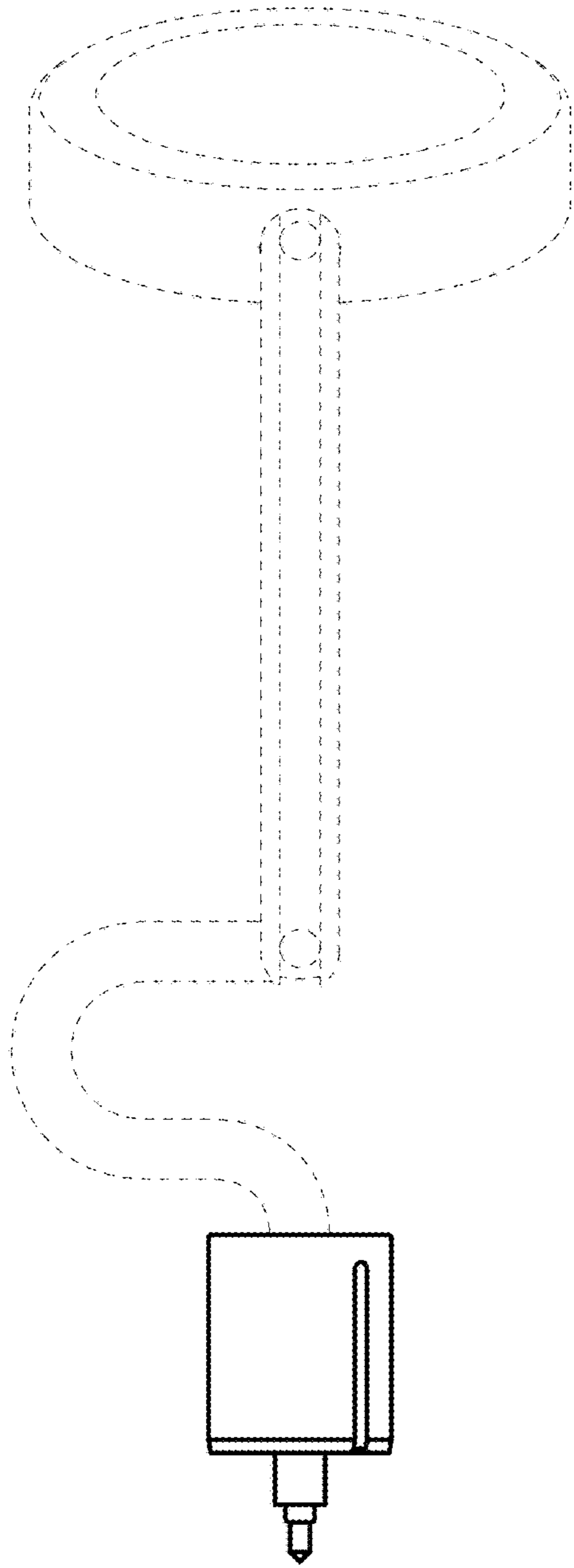


FIG. 2

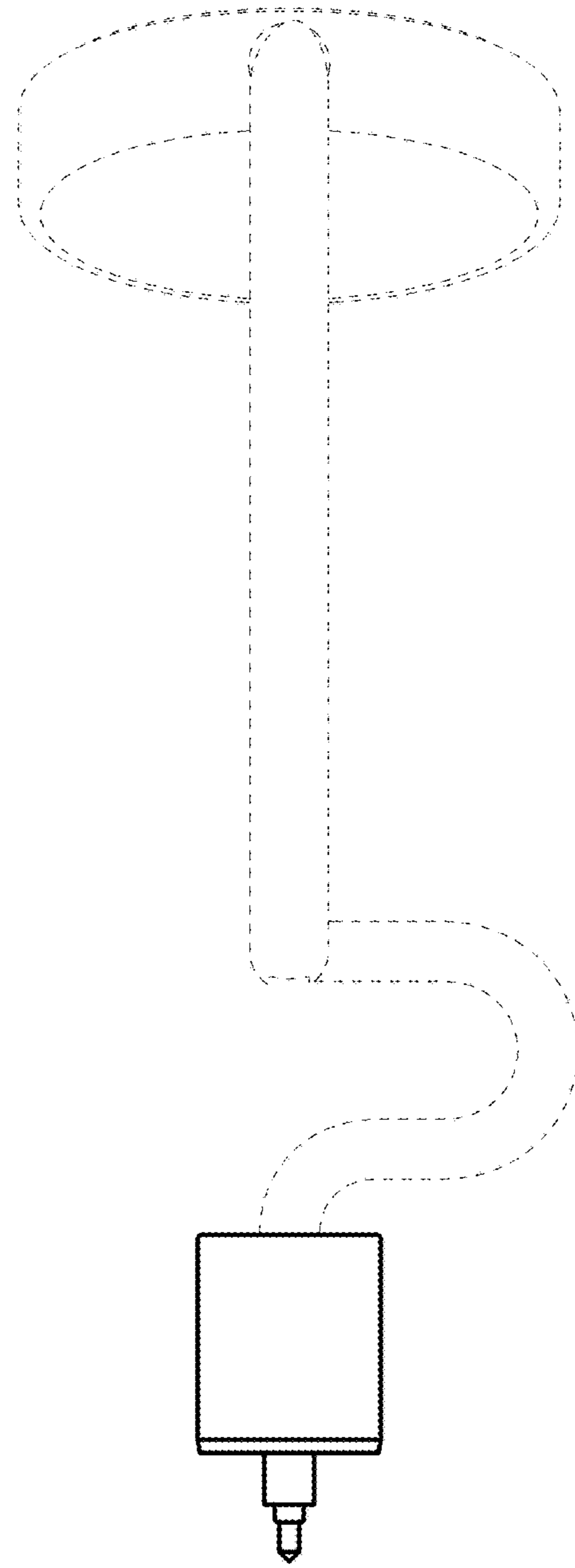


FIG. 3

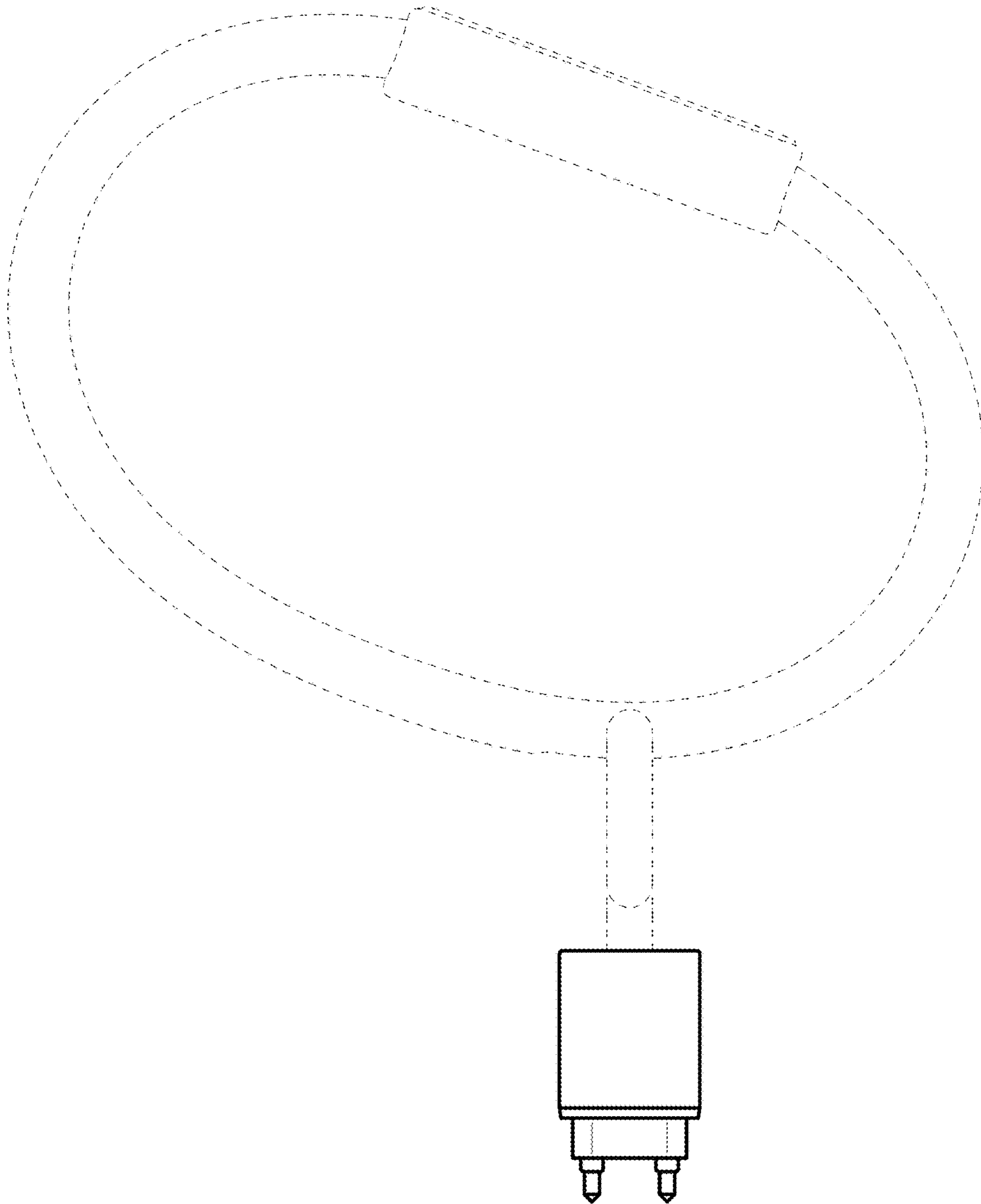


FIG. 4

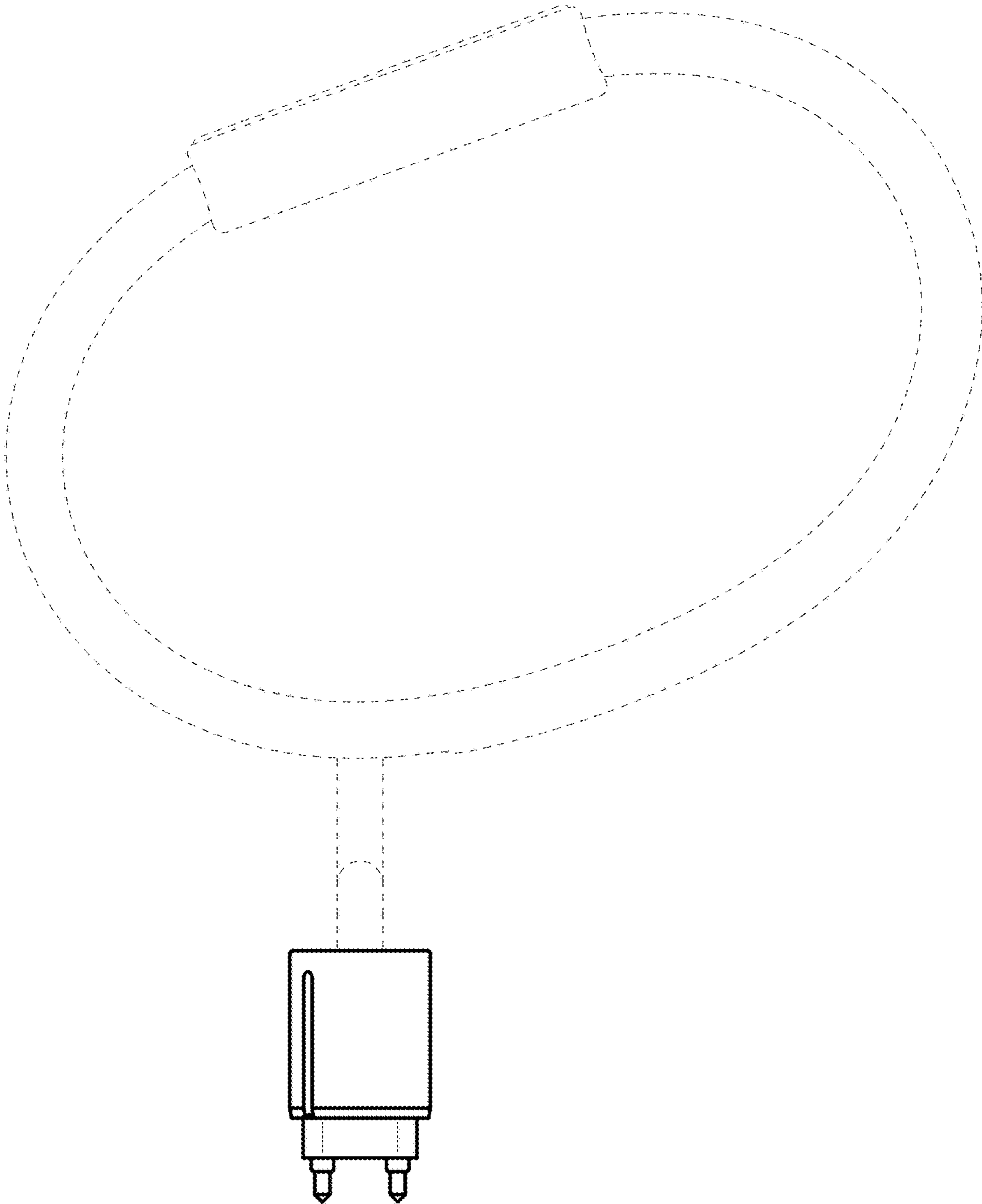


FIG. 5

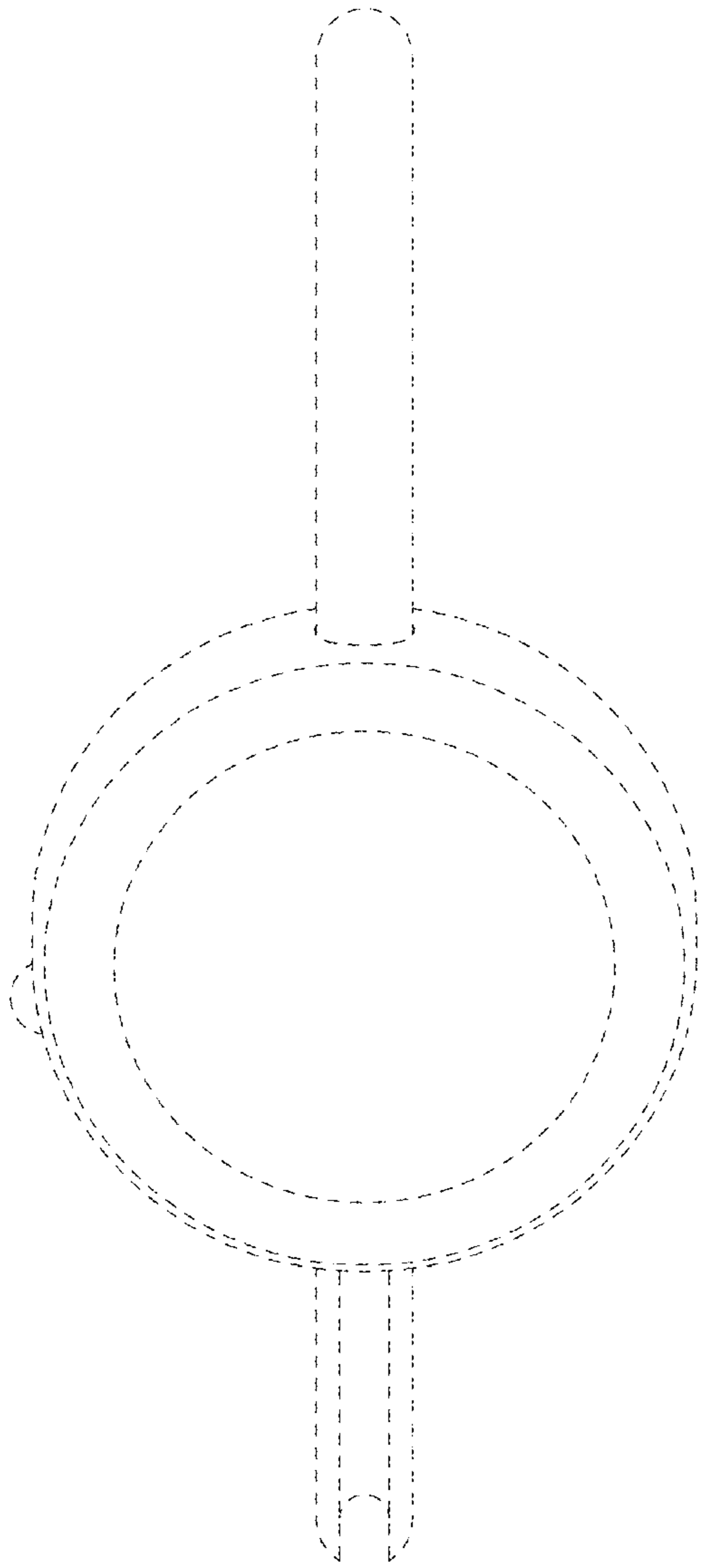


FIG. 6

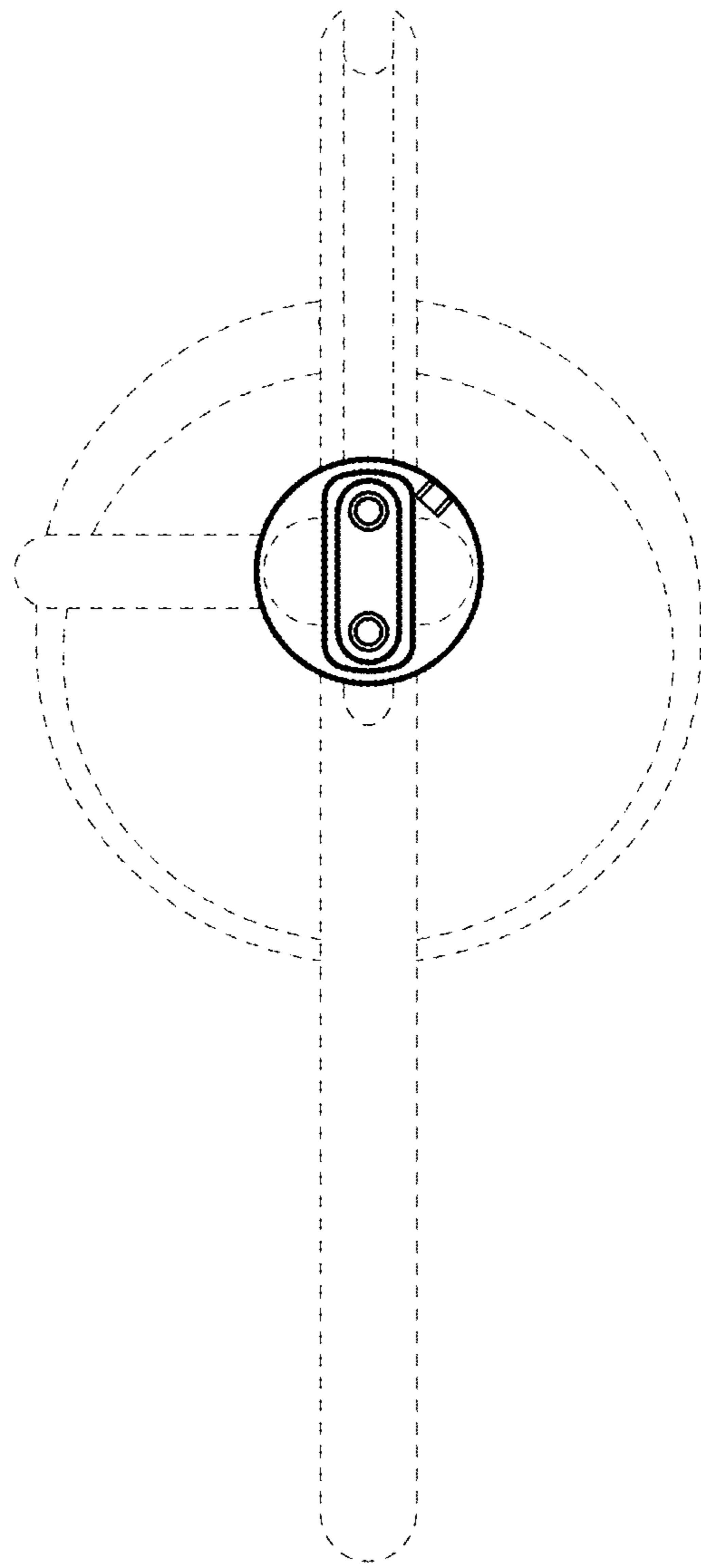


FIG. 7

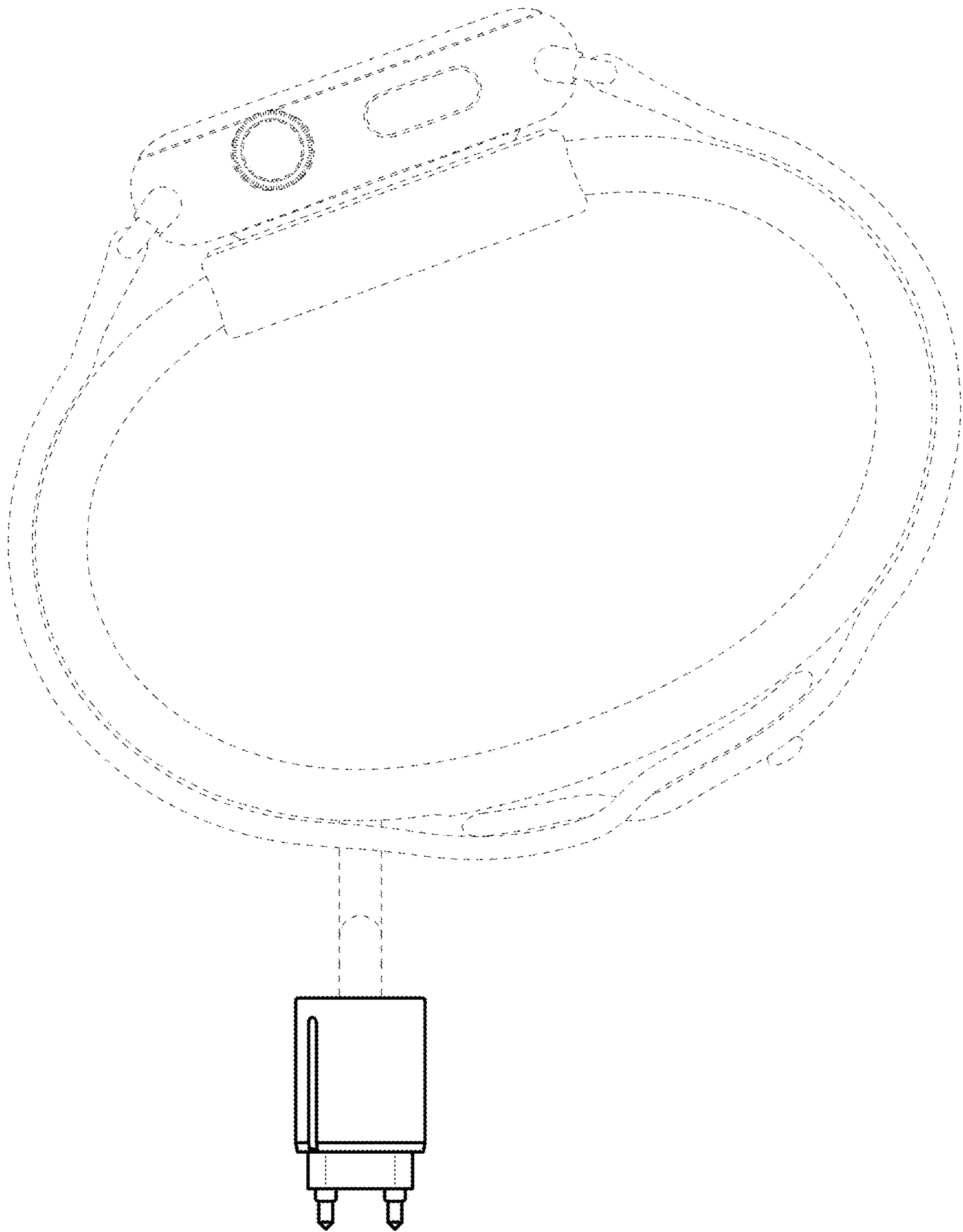


FIG. 8