



US00D789122S

(12) **United States Design Patent**
Drumm

(10) **Patent No.:** **US D789,122 S**
(45) **Date of Patent:** **** Jun. 13, 2017**

(54) **SAMPLE HOLDER**
(71) Applicant: **Chevron Phillips Chemical Company LP**, The Woodlands, TX (US)
(72) Inventor: **Phillip V. Drumm**, Skiatook, OK (US)
(73) Assignee: **Chevron Phillips Chemical Company LP**, The Woodlands, TX (US)
(**) Term: **15 Years**

4,811,851 A * 3/1989 Shane G11B 23/0236
211/41.12
5,301,819 A * 4/1994 Moeken G11B 33/0483
211/40
D358,066 S * 5/1995 Blackwood D6/682.3
5,447,243 A * 9/1995 Graber B43M 99/008
206/371
D369,415 S 4/1996 Boulton et al.
D388,266 S * 12/1997 Axelrod D6/678
D411,570 S * 6/1999 Hilliard, IV D19/21
D445,287 S * 7/2001 Kujala D6/629
6,607,084 B1 * 8/2003 Spinelli A47F 7/0021
211/71.01

(Continued)

(21) Appl. No.: **29/556,314**
(22) Filed: **Feb. 29, 2016**
(51) **LOC (10) Cl.** **06-06**
(52) **U.S. Cl.**
USPC **D6/682.4**
(58) **Field of Classification Search**
USPC D6/672, 675, 675.1, 680, 680.2, 682,
D6/682.1, 682.2, 682.4, 512, 702;
D19/75, 77, 86, 91, 92
CPC .. A47F 1/04; A47F 3/14; A47F 5/0018; A47F
5/101
See application file for complete search history.

Primary Examiner — Kelley Donnelly
(74) *Attorney, Agent, or Firm* — Monte R. Rhodes

(57) **CLAIM**

The ornamental design for a sample holder, as shown and described.

DESCRIPTION

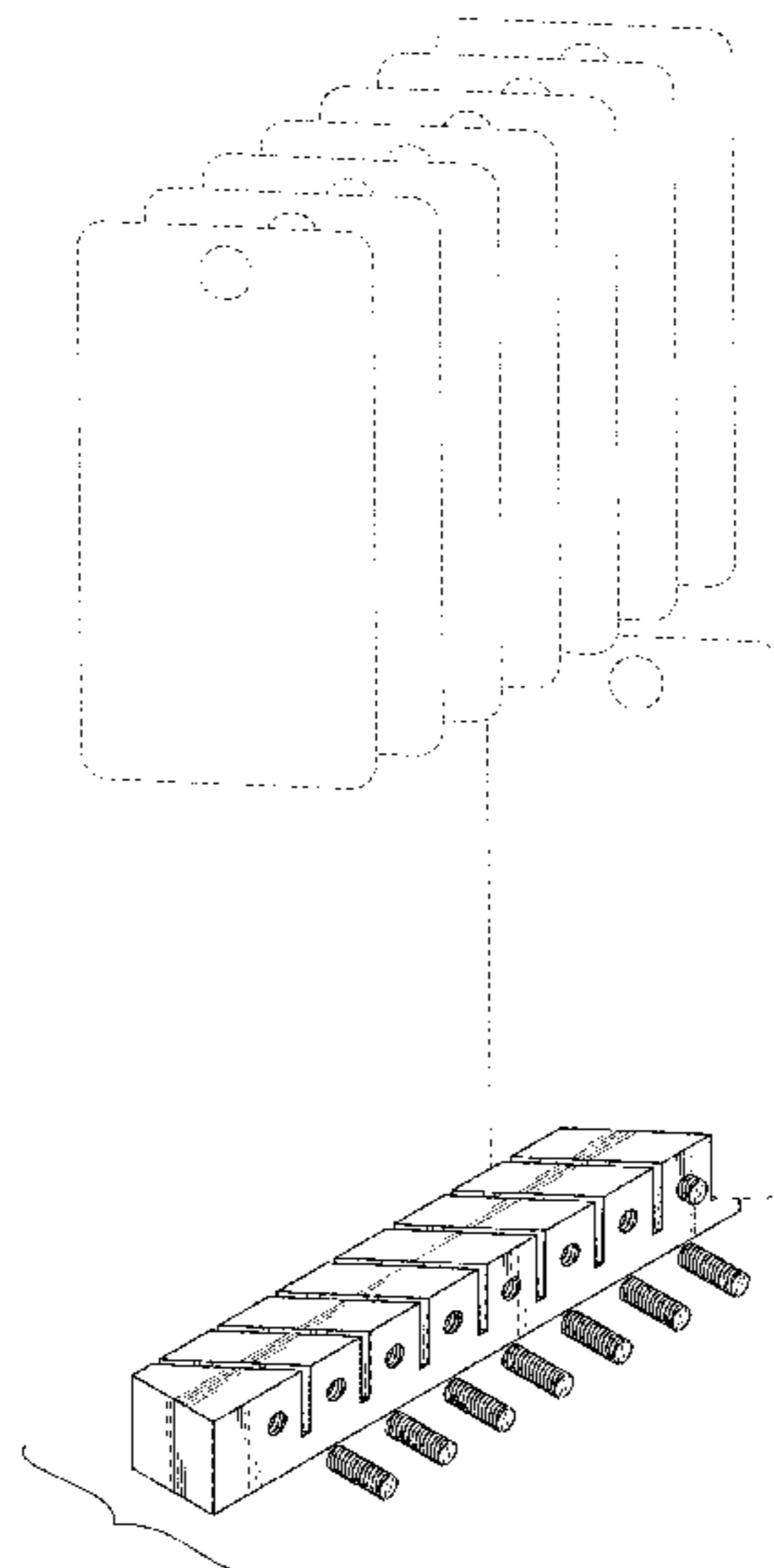
FIG. 1 is an exploded environmental view of a sample holder, in accordance with an embodiment of the present invention;
FIG. 2 is a perspective view thereof;
FIG. 3 is a front elevational view thereof;
FIG. 4 is a rear elevational view thereof, showing the side opposite that shown in FIG. 3;
FIG. 5 is a top plan view thereof;
FIG. 6 is a bottom plan view thereof, showing the side opposite that shown in FIG. 5;
FIG. 7 is an end view thereof;
FIG. 8 is an end view thereof, showing the end opposite that shown in FIG. 7; and,
FIG. 9 is a cross-sectional view thereof, taken along line 9-9 of FIG. 3.
The broken lines in the Figures are for the purpose of illustrating exemplary environmental structure only and form no part of the claimed design.

(56) **References Cited**

U.S. PATENT DOCUMENTS

601,753 A * 4/1898 Kaiser A47B 81/04
211/41.2
D161,139 S * 12/1950 Shapiro 211/41.1
D161,795 S * 1/1951 Shapiro D19/91
2,742,292 A * 4/1956 McDonough A63F 1/10
273/150
D213,737 S * 4/1969 Kohles D19/90
D272,834 S * 2/1984 Moore D19/75
D273,961 S * 5/1984 Bassey D21/392
D274,919 S * 7/1984 Basaldua, Jr. D19/75
D275,058 S * 8/1984 Flum D6/682.4
4,685,647 A * 8/1987 Calhoun B42F 17/16
248/444.1

1 Claim, 4 Drawing Sheets



(56)

References Cited

U.S. PATENT DOCUMENTS

6,758,346 B2 * 7/2004 Kollegian G11B 33/0472
206/308.1
D500,363 S 12/2004 Fanning et al.
D588,649 S * 3/2009 Healy D20/43
D697,223 S 1/2014 Smith
D749,292 S * 2/2016 Peniche D1/199
D776,468 S * 1/2017 Plikat D6/682.4

* cited by examiner

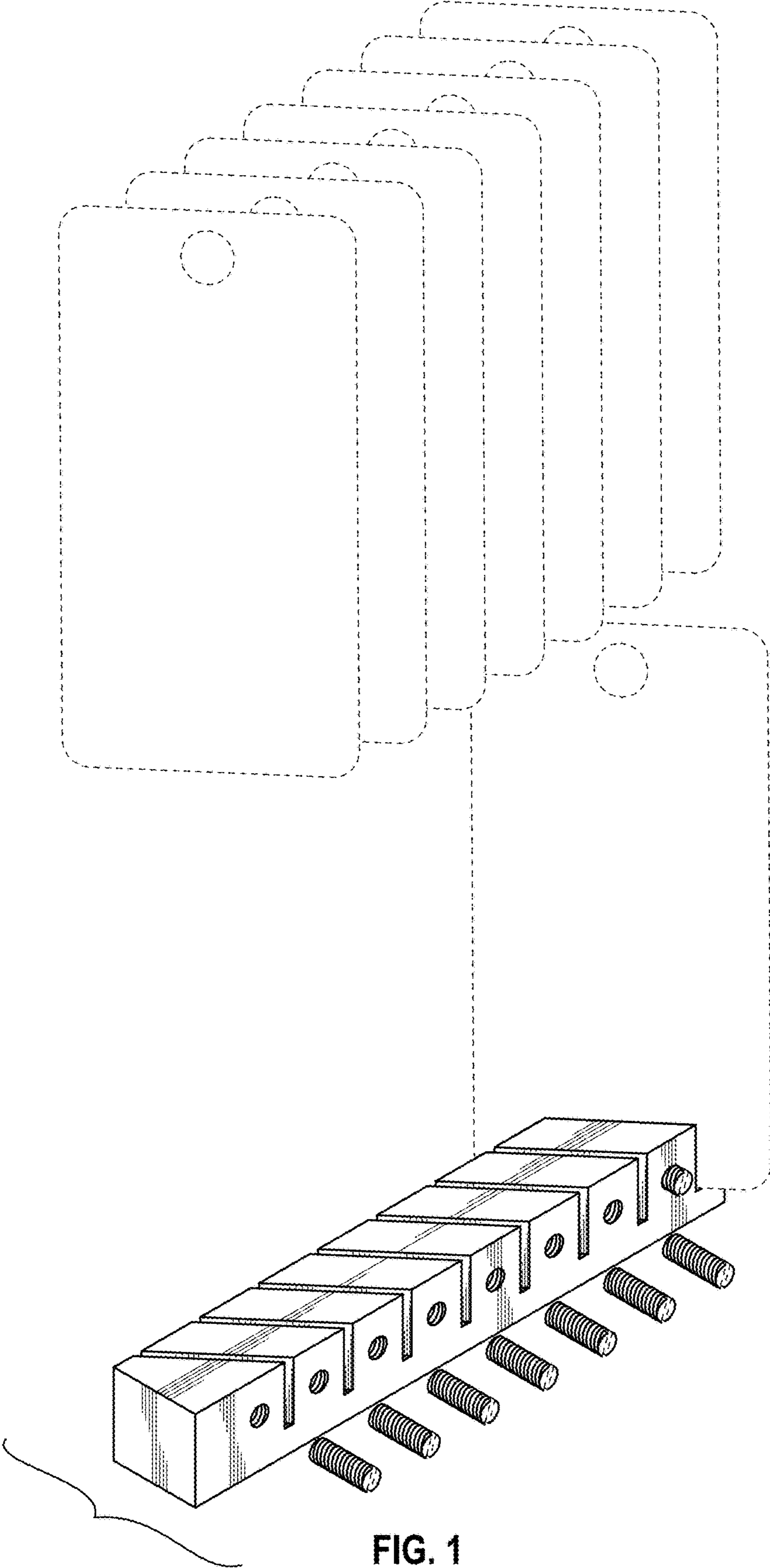


FIG. 1

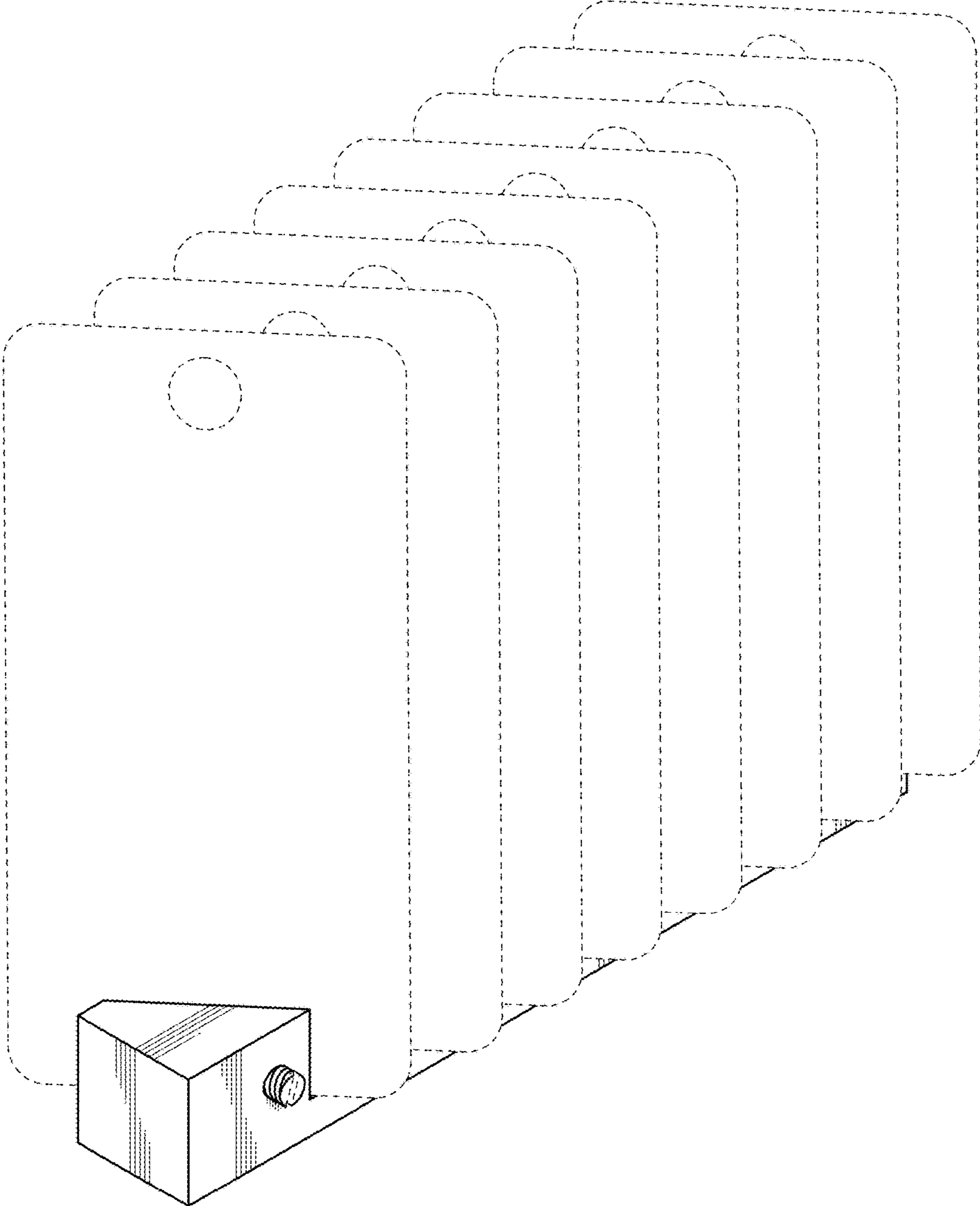


FIG. 2

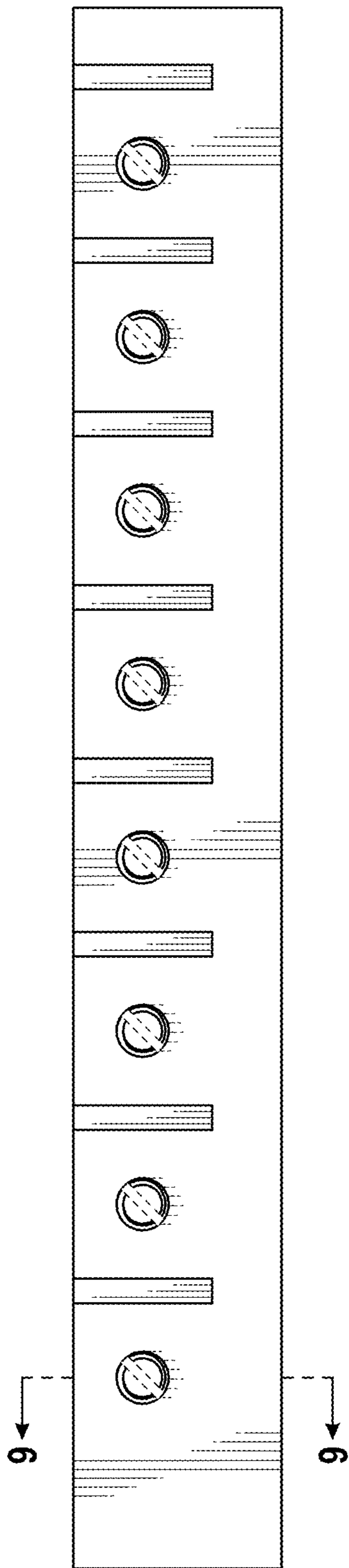


FIG. 3

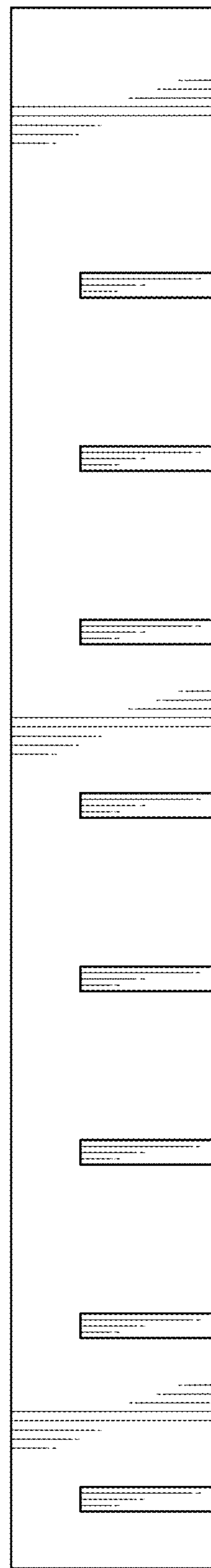


FIG. 4

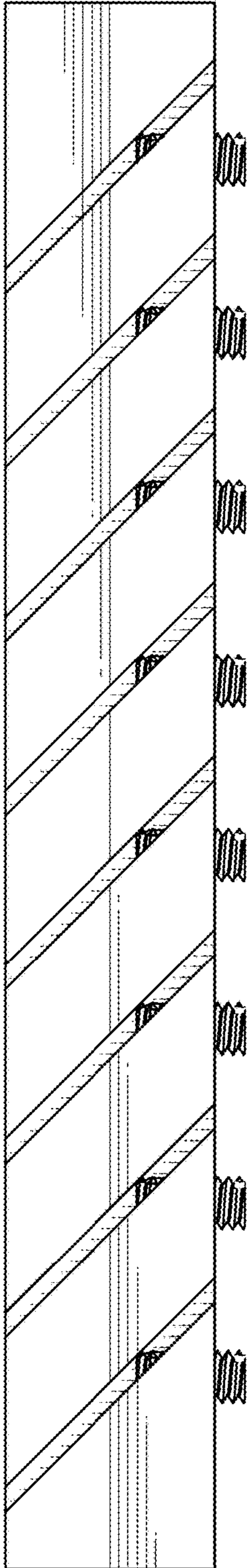


FIG. 5

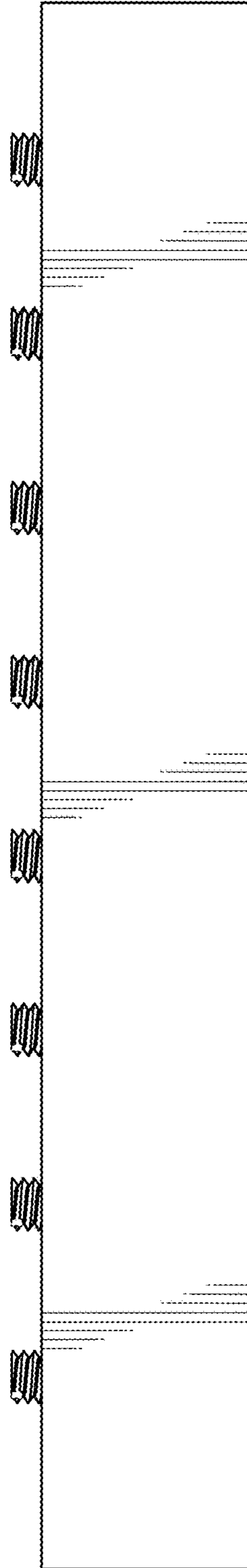


FIG. 6

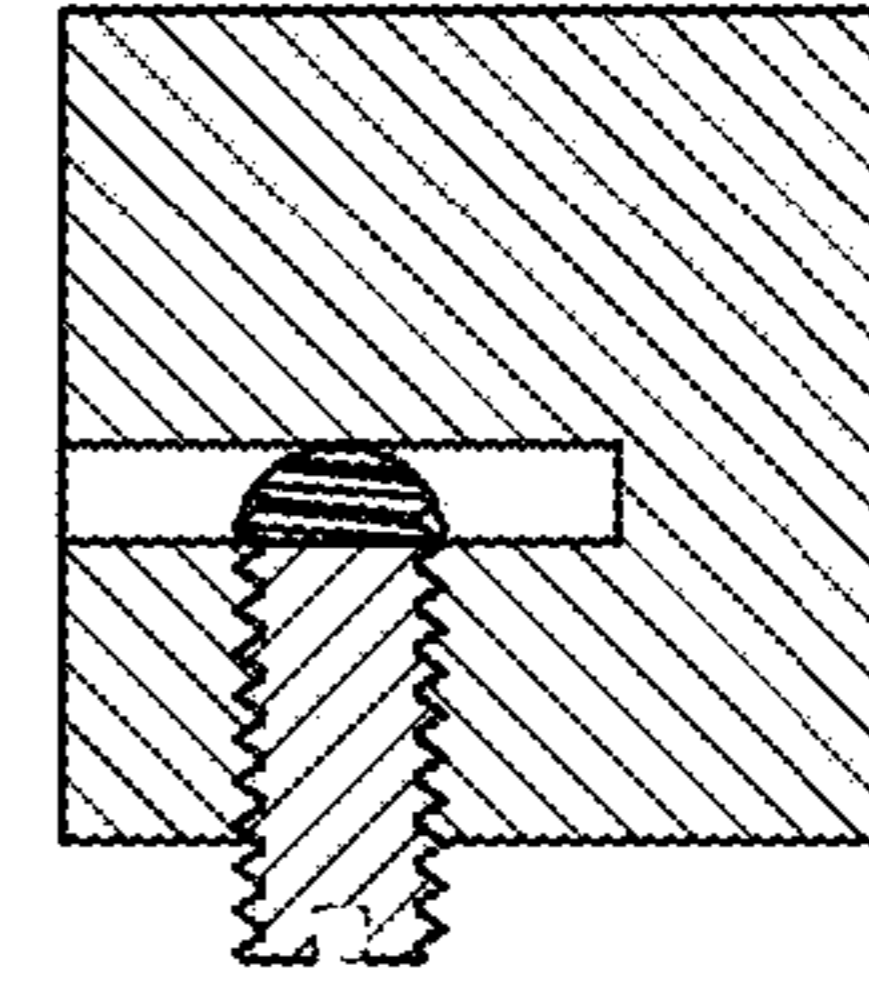


FIG. 9

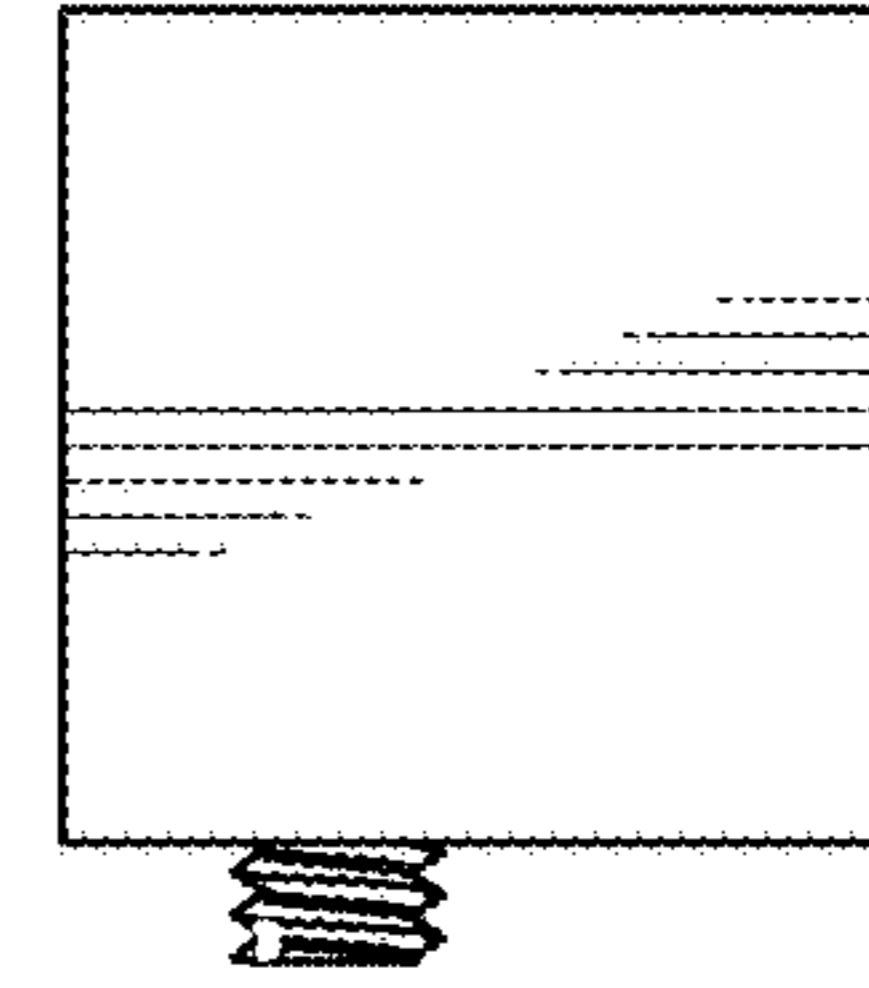


FIG. 8

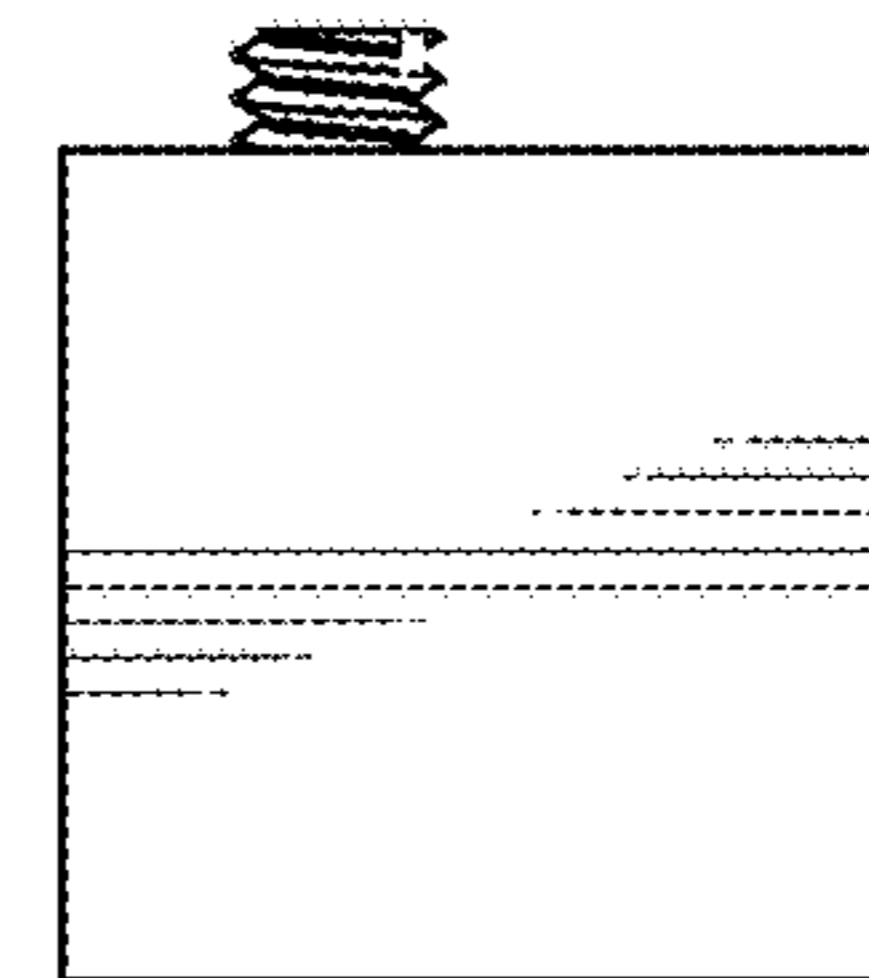


FIG. 7