



US00D789121S

(12) **United States Design Patent** (10) **Patent No.:** **US D789,121 S**
Laskowitz et al. (45) **Date of Patent:** **** Jun. 13, 2017**

(54) **DISPLAY UNIT** 4,611,865 A * 9/1986 Daws A47F 7/147
312/114

(71) Applicant: **Target Brands, Inc.**, Minneapolis, MN (US) 4,936,471 A 6/1990 Walter
5,039,043 A 8/1991 Hodge
(Continued)

(72) Inventors: **Adam M. Laskowitz**, San Francisco, CA (US); **Faith J. Hutchinson**, Berkeley, CA (US); **Patricia S. Adler**, Oakland, CA (US); **Brett S. Bowman**, San Francisco, CA (US) *Primary Examiner* — John Windmuller
Assistant Examiner — Steven Czyz
(74) *Attorney, Agent, or Firm* — Leanne Taveggia Farrell; Westman, Champlin & Koehler, P.A.

(73) Assignee: **Target Brands, Inc.**, Minneapolis, MN (US) (57) **CLAIM**
The ornamental design for a display unit, as shown and described.

(**) Term: **15 Years**

(21) Appl. No.: **29/562,465**

(22) Filed: **Apr. 26, 2016**

(51) **LOC (10) Cl.** **06-04**

(52) **U.S. Cl.**
USPC **D6/681.1**

(58) **Field of Classification Search**
USPC D6/681, 681.1, 681.2, 313, 682, 682.5, D6/700, 701, 314, 708.16, 708.17, 310
CPC Y10S 40/00; G09F 7/18; G09F 2007/1804; A47B 2023/008; A47G 1/14; A47G 1/141; A47G 1/0638; A45F 3/44
See application file for complete search history.

(56) **References Cited**

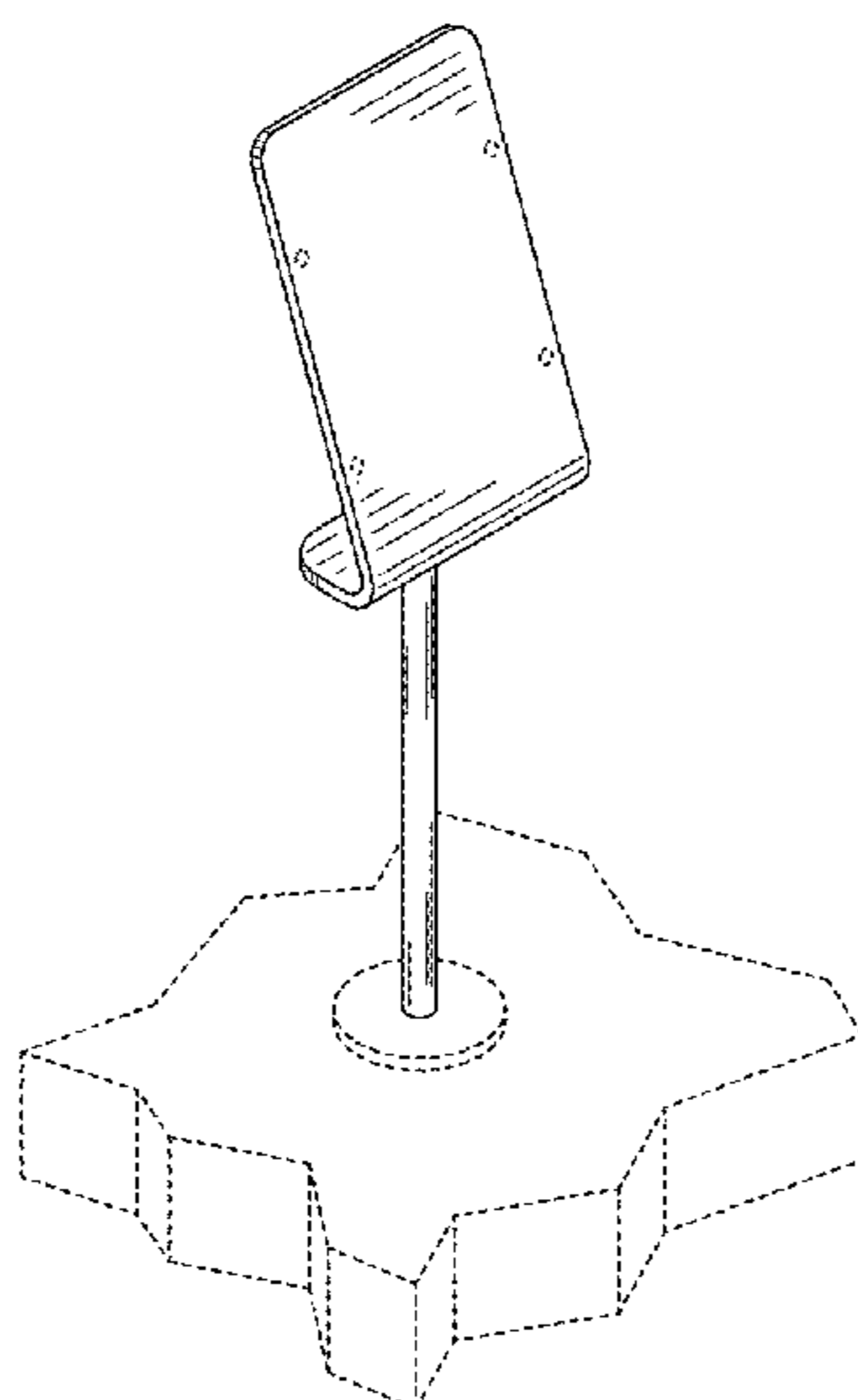
U.S. PATENT DOCUMENTS

1,600,132 A	9/1926	Pearl	
1,823,840 A	9/1931	Nolte	
2,136,109 A	11/1938	Kress	
2,150,222 A	3/1939	Hoffman	
2,434,860 A *	1/1948	Oxley	A47G 1/141 248/444.1
2,538,966 A	1/1951	Flannery	
3,003,646 A	10/1961	Wolf	
3,983,821 A *	10/1976	Kearns	A47B 23/00 108/42

DESCRIPTION

FIG. 1 is a perspective view of a first embodiment of a display unit showing our new design;
FIG. 2 is a front view thereof;
FIG. 3 is a back view thereof;
FIG. 4 is a top view thereof;
FIG. 5 is a left side view thereof, the right side view being a mirror image;
FIG. 6 is a perspective view of a second embodiment thereof;
FIG. 7 is a front view of FIG. 6;
FIG. 8 is a back view of FIG. 6;
FIG. 9 is a top view of FIG. 6;
FIG. 10 is a left side view of FIG. 6, the right side view being a mirror image;
FIG. 11 is a perspective view of a fourth embodiment thereof;
FIG. 12 is a front view of FIG. 11;
FIG. 13 is a back view of FIG. 11;
FIG. 14 is a top view of FIG. 11; and,
FIG. 15 is a left side view of FIG. 11, the right side view being a mirror image.
The broken lines depict portions of the article that form no part of the claimed design.

1 Claim, 6 Drawing Sheets



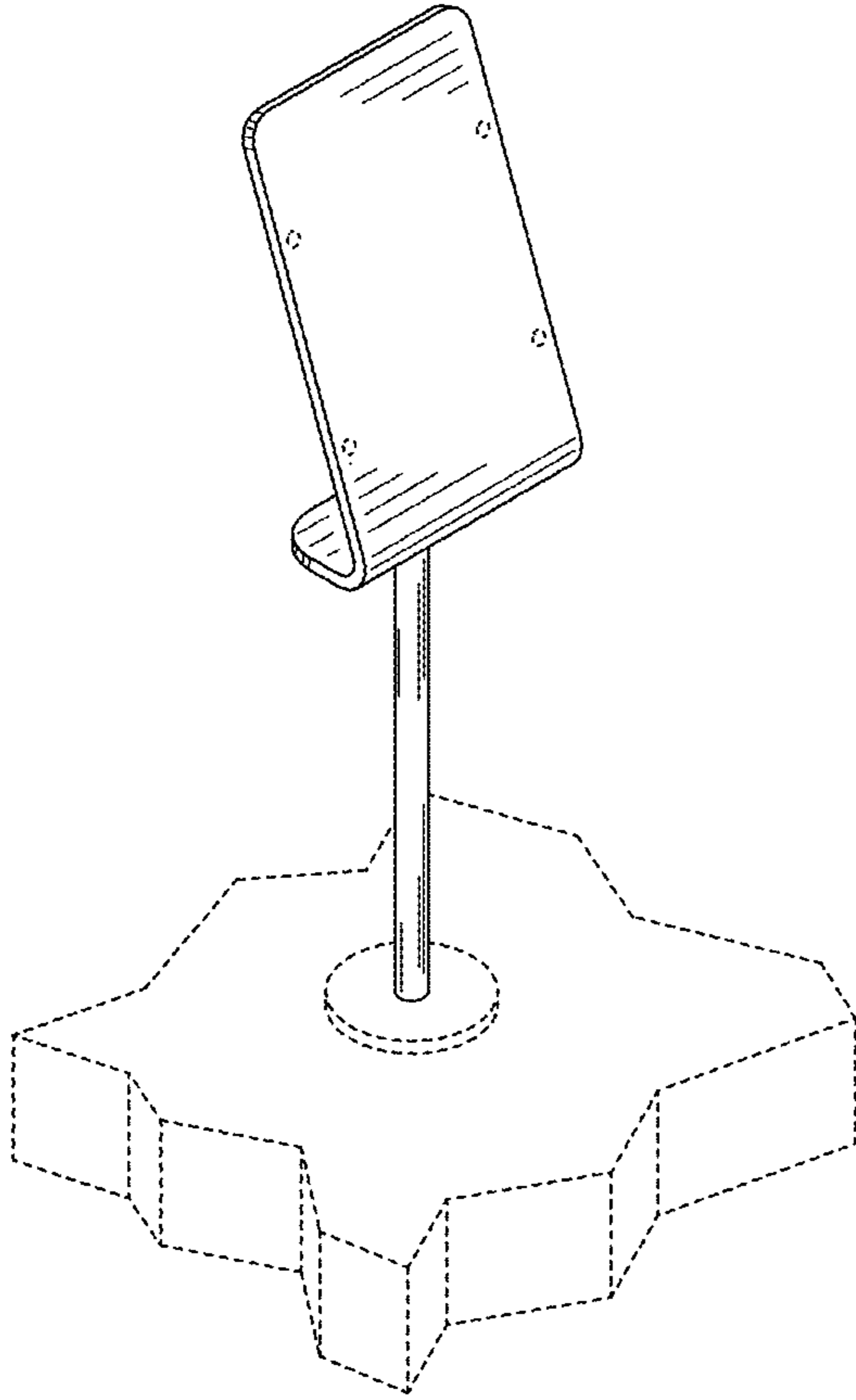


Fig. 1

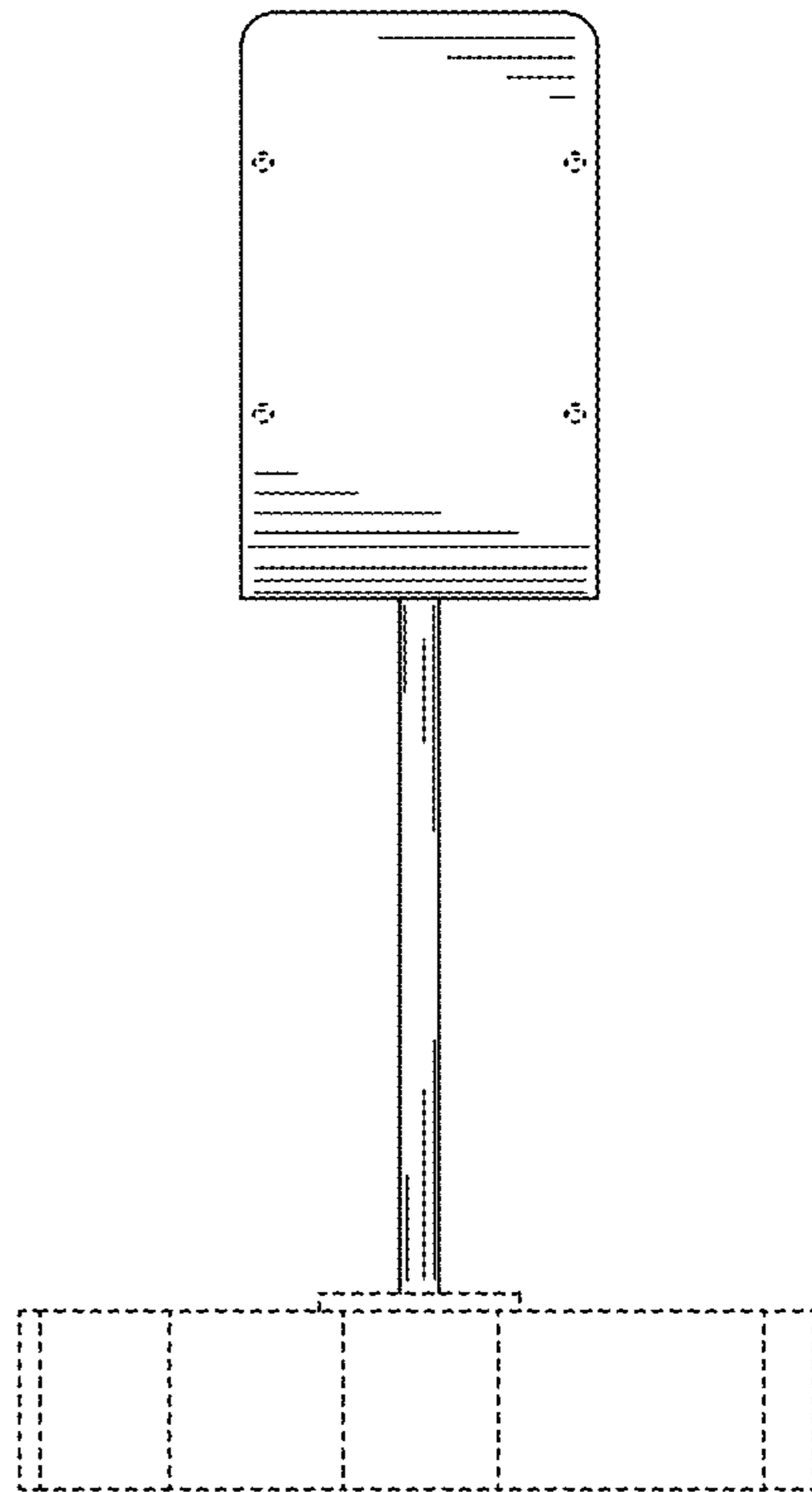


Fig. 2

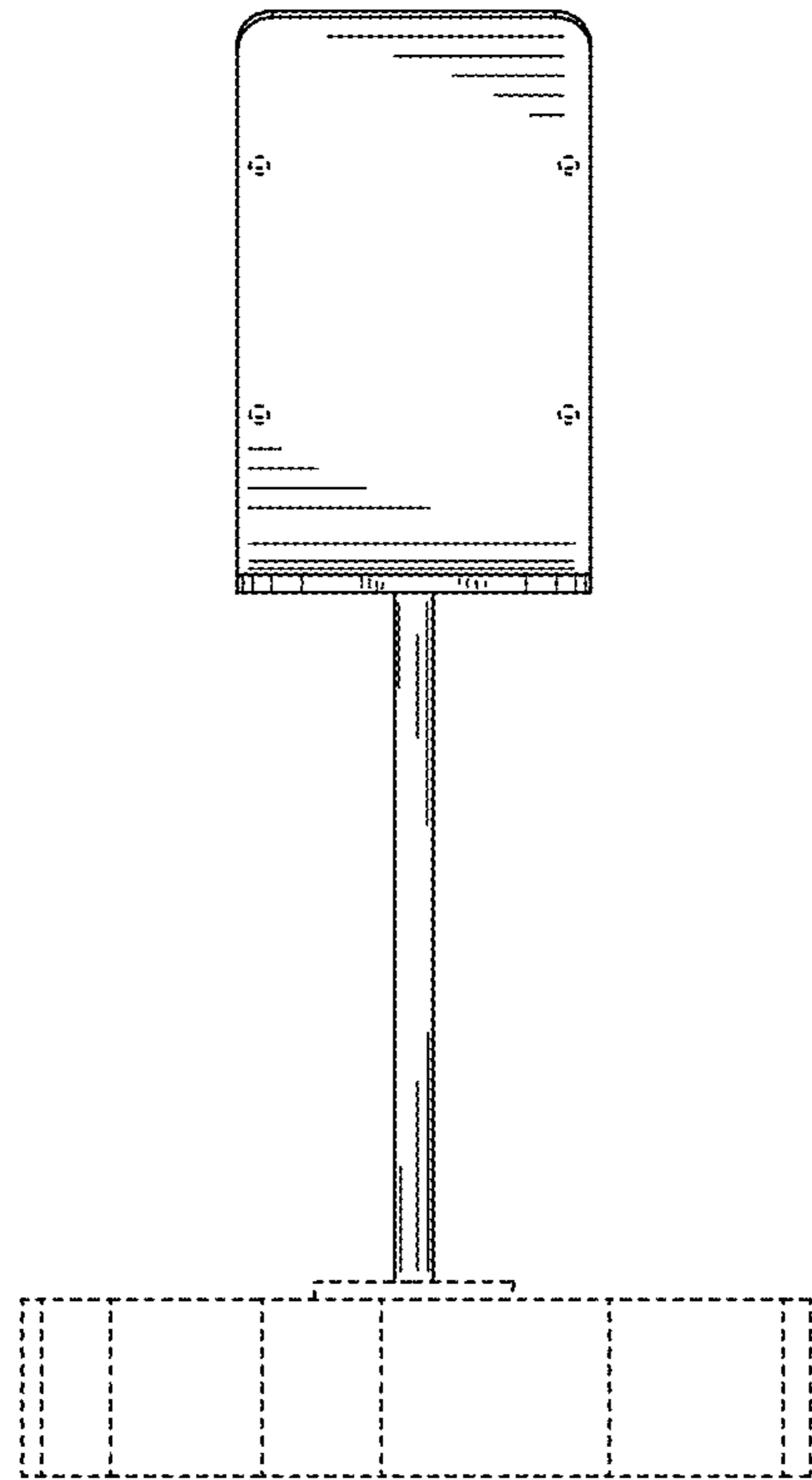


Fig. 3

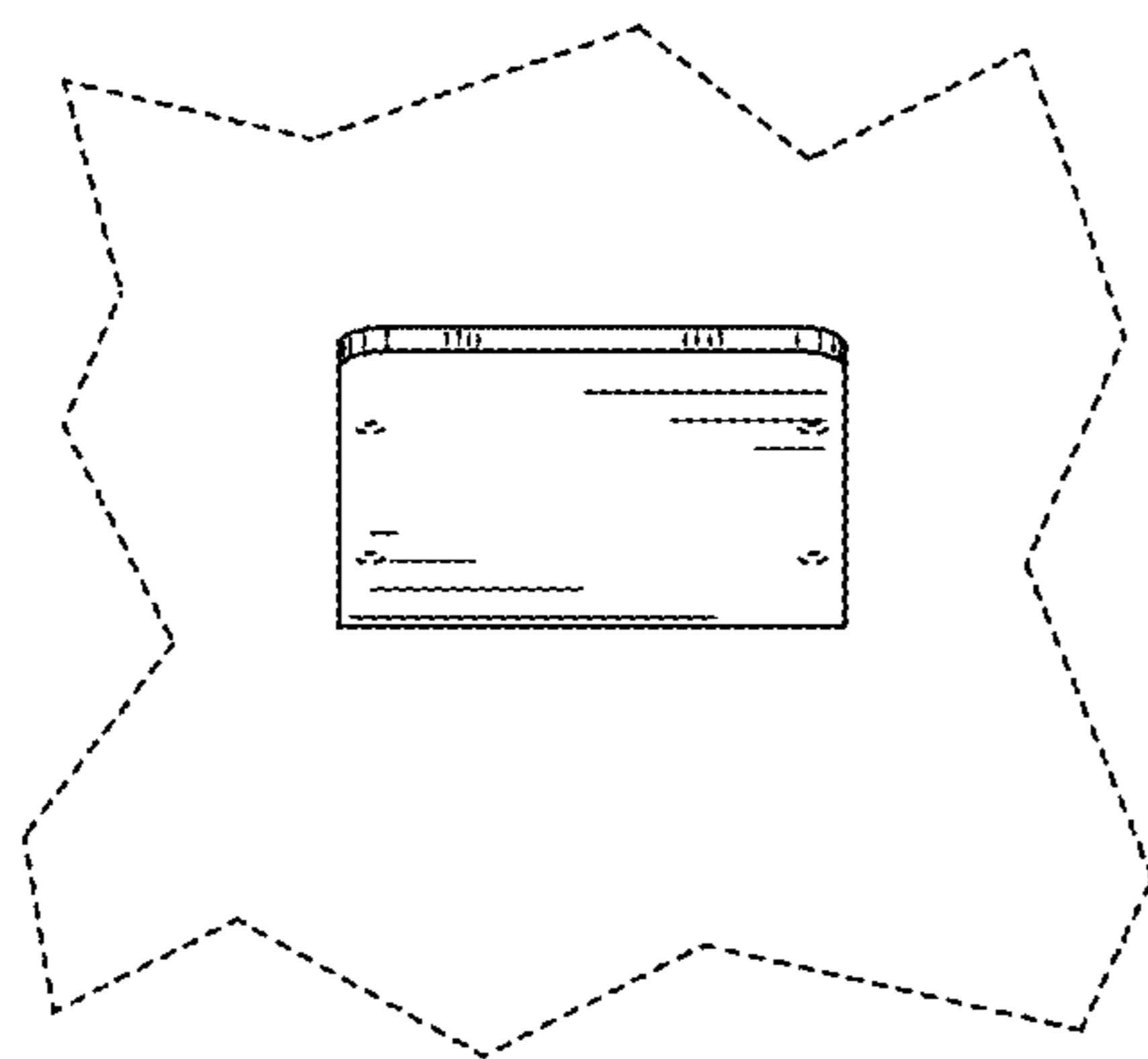


Fig. 4

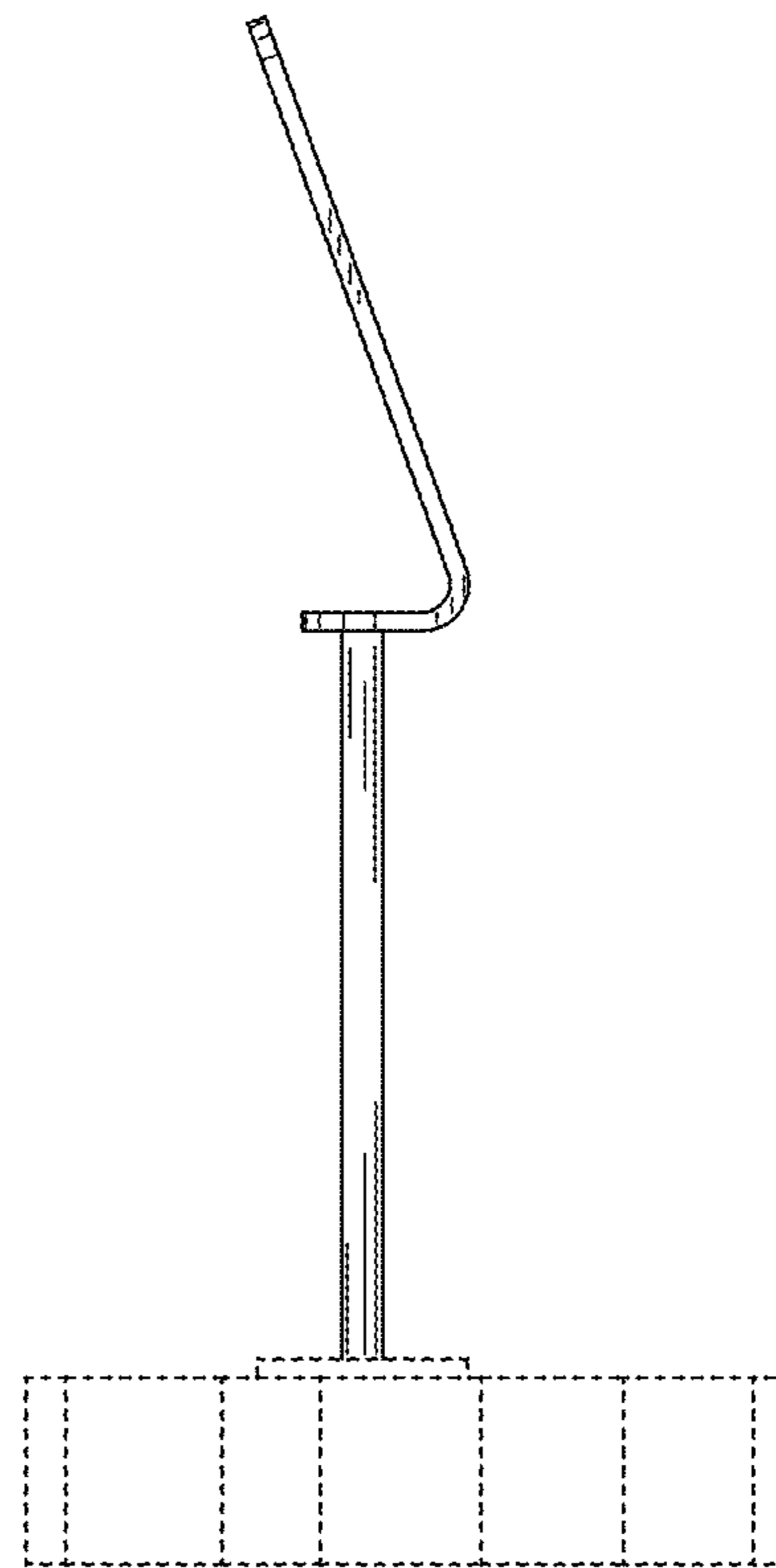


Fig. 5

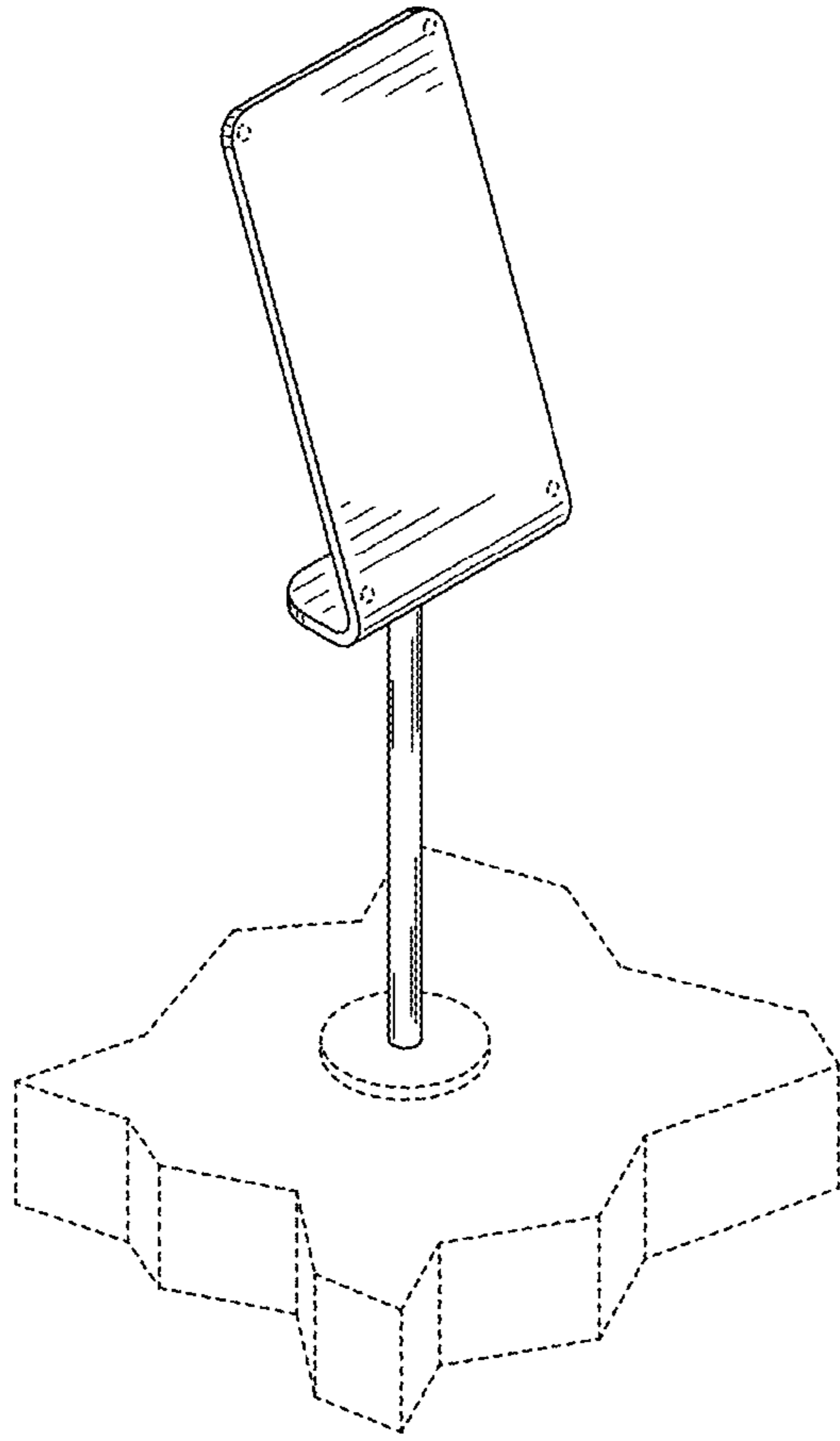


Fig. 6

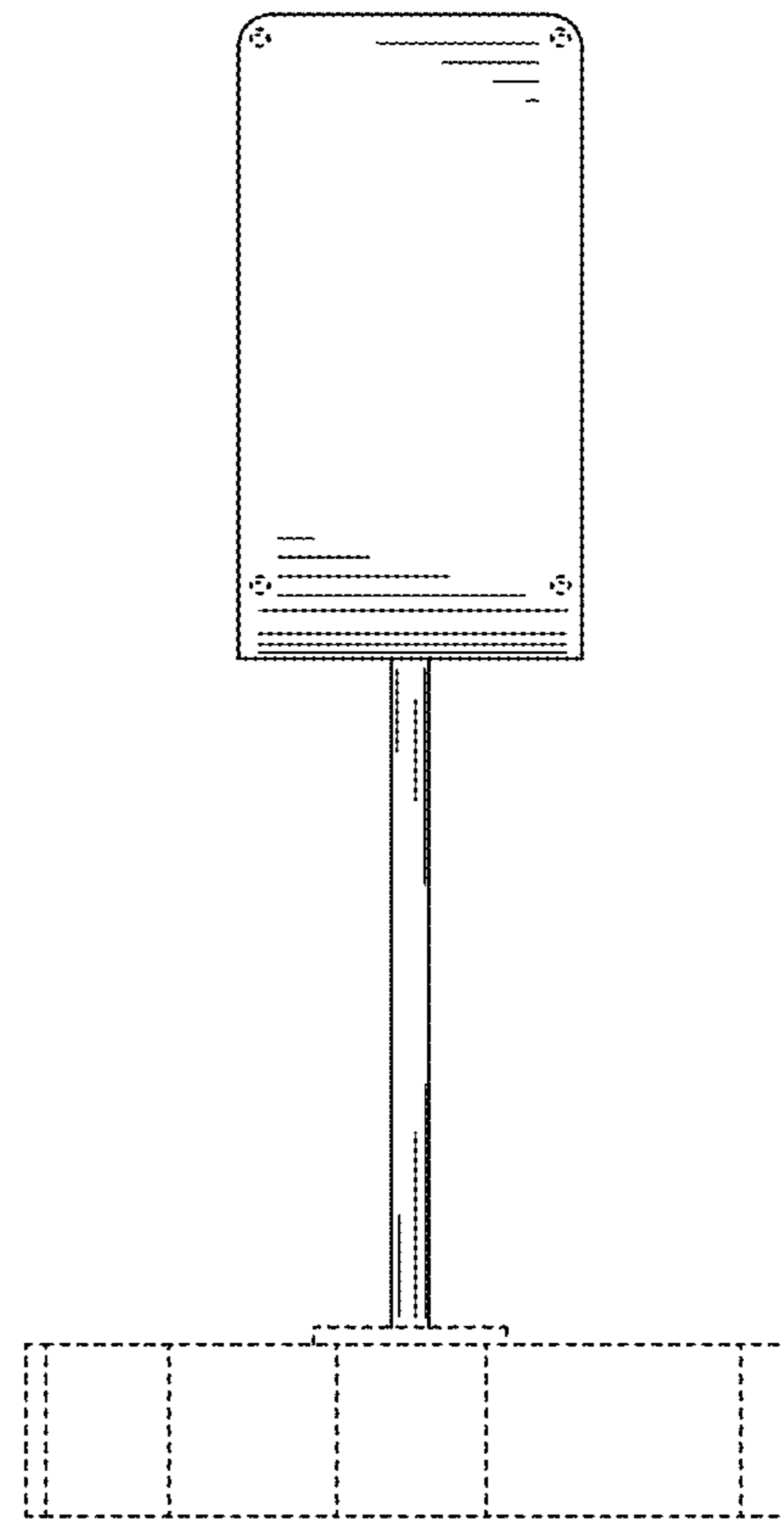


Fig. 7

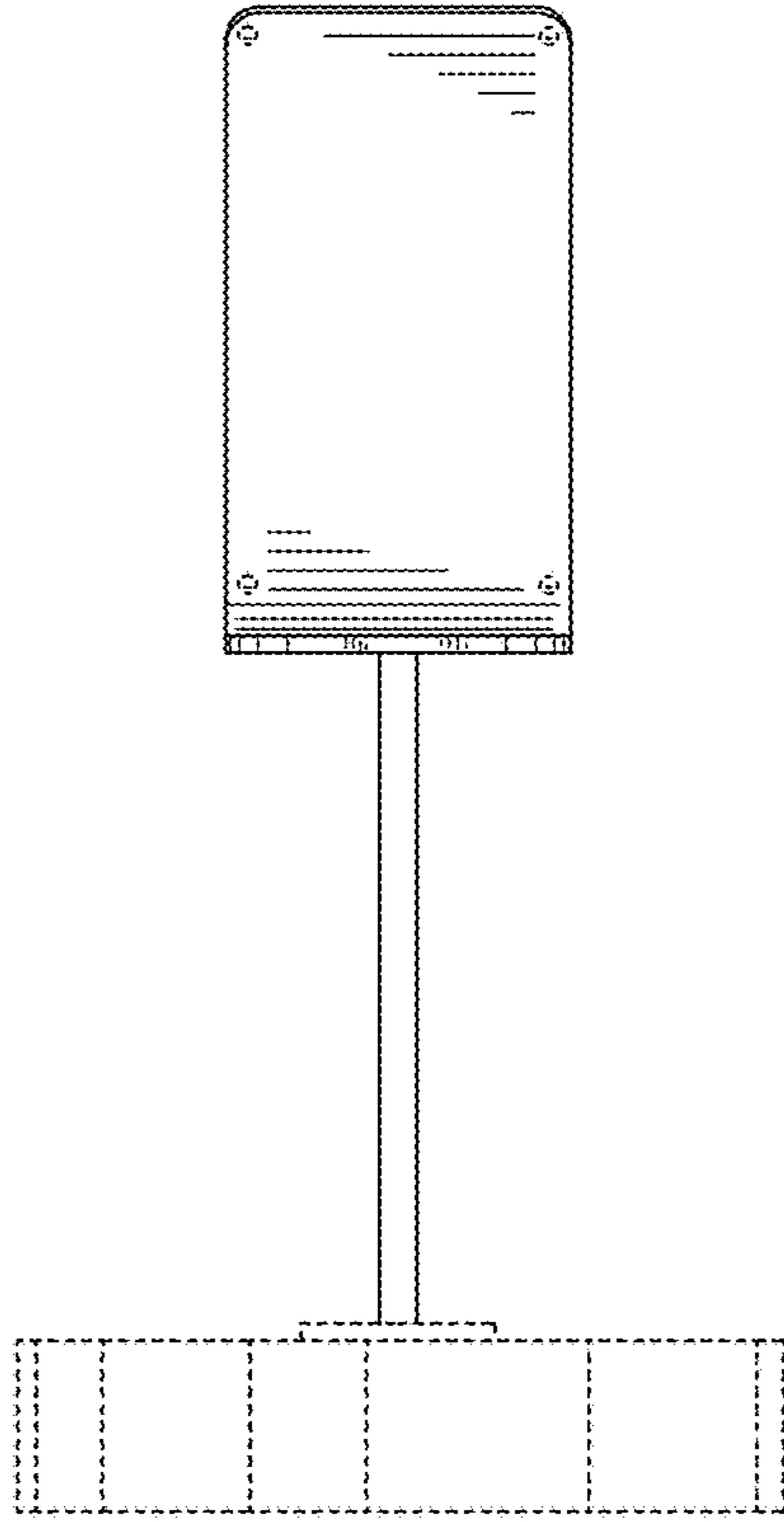


Fig. 8

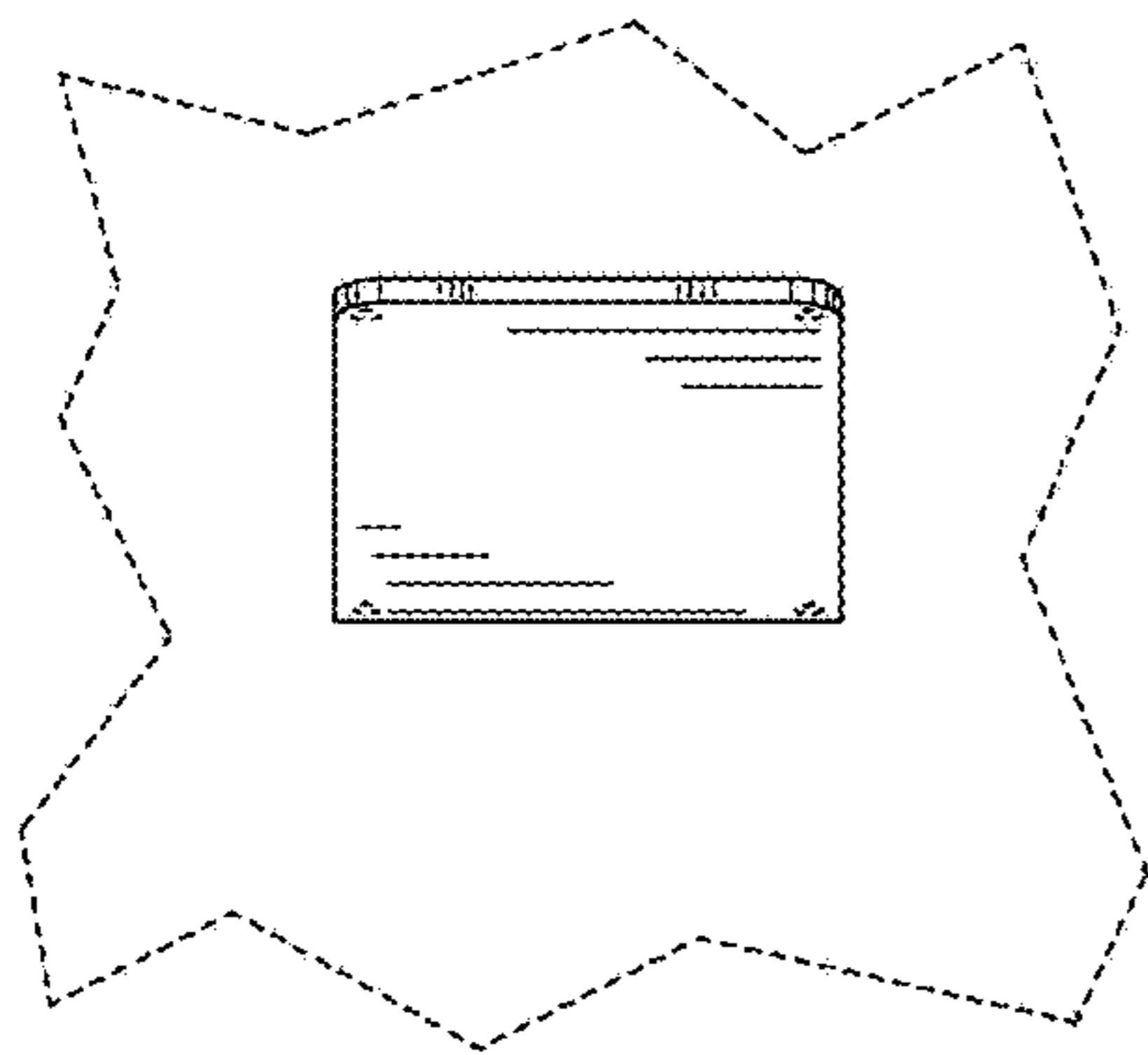


Fig. 9

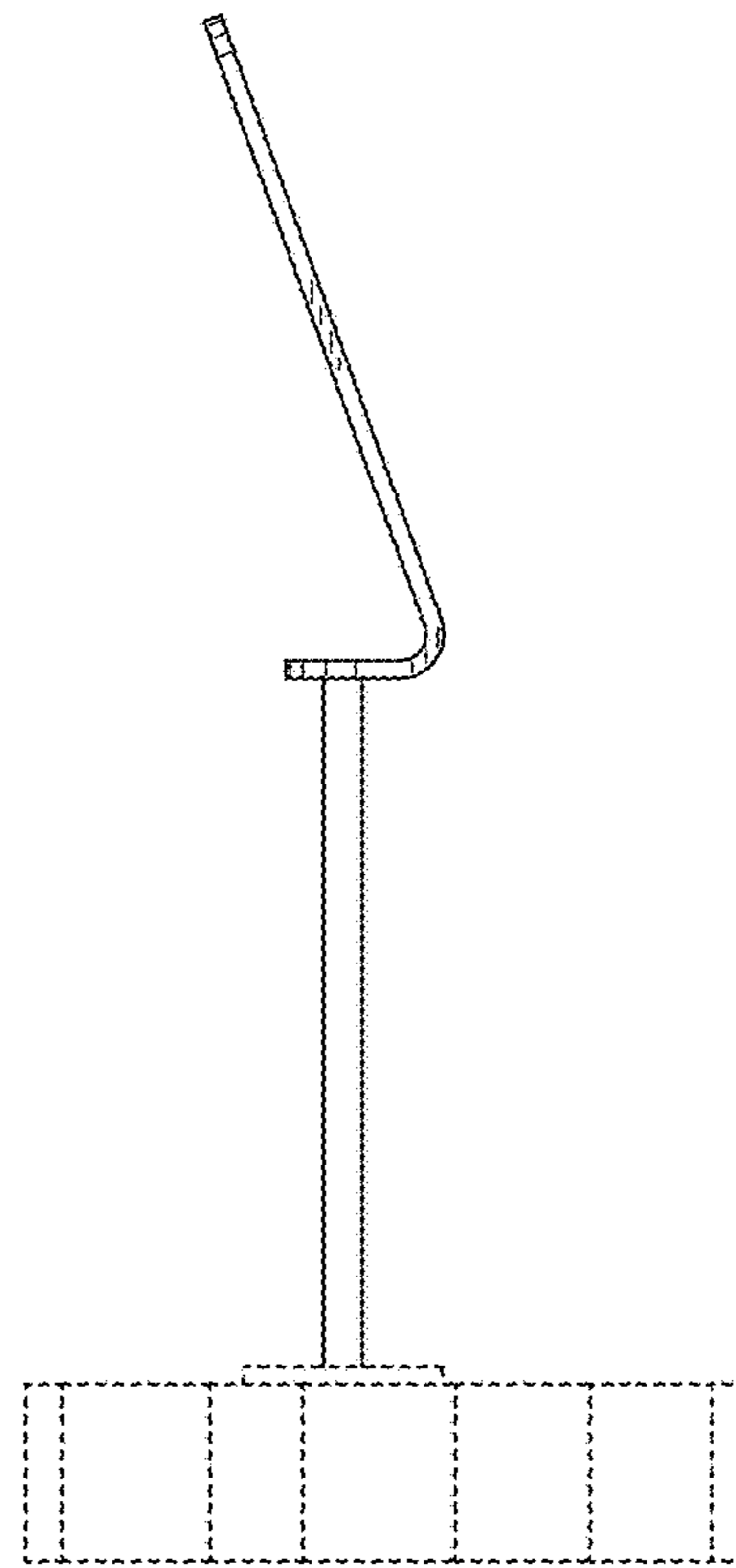


Fig. 10

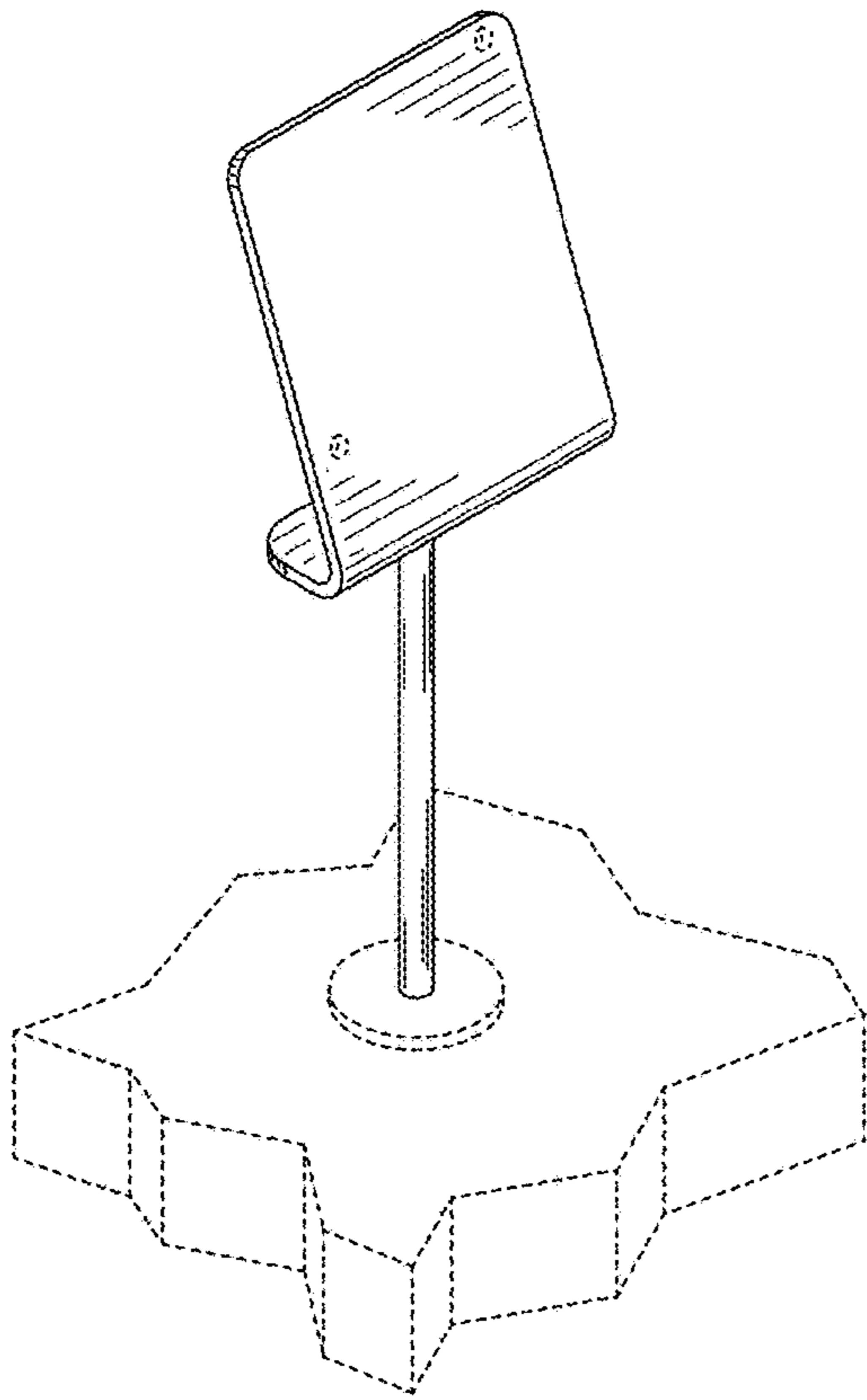


Fig. 11

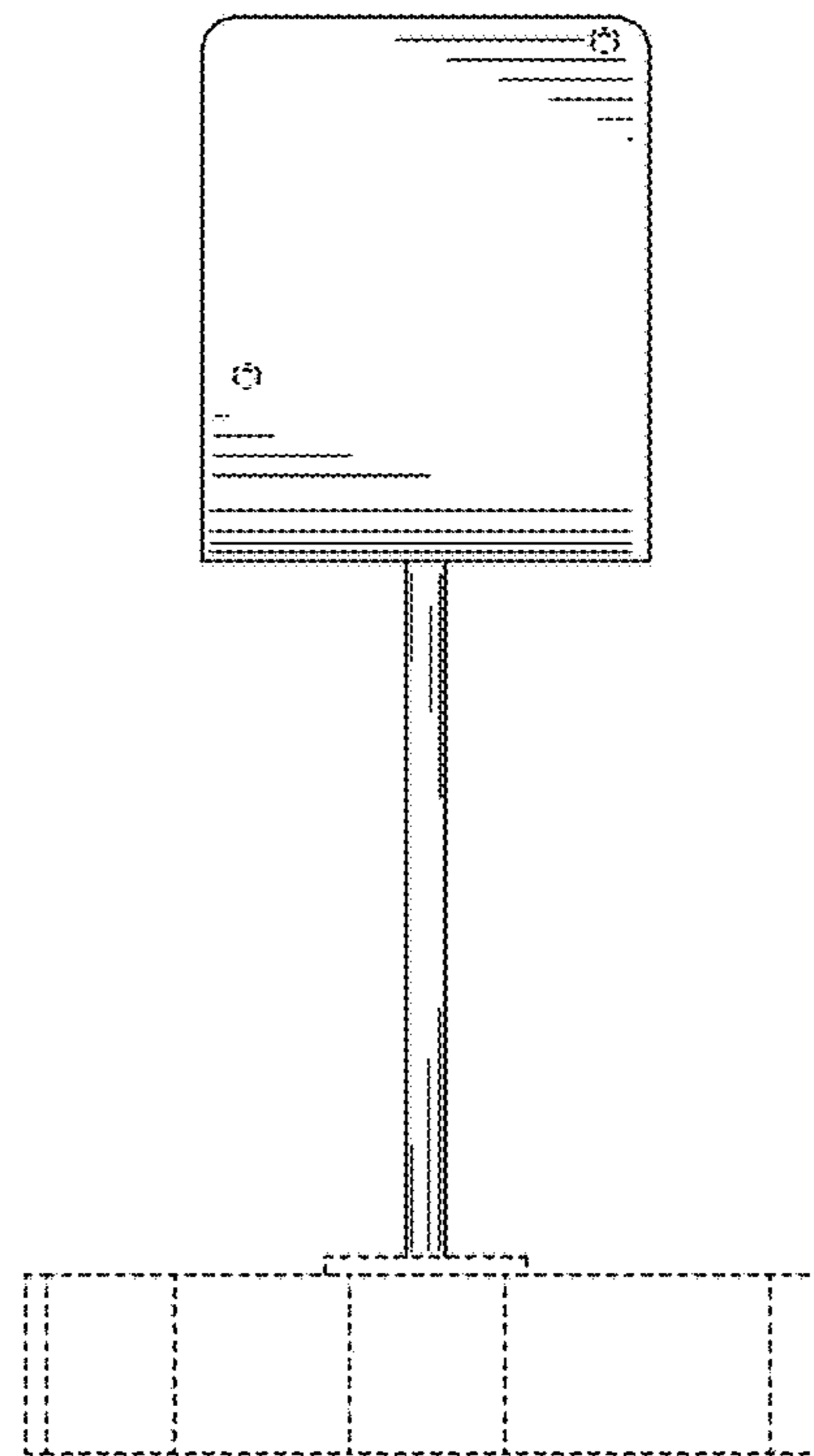


Fig. 12

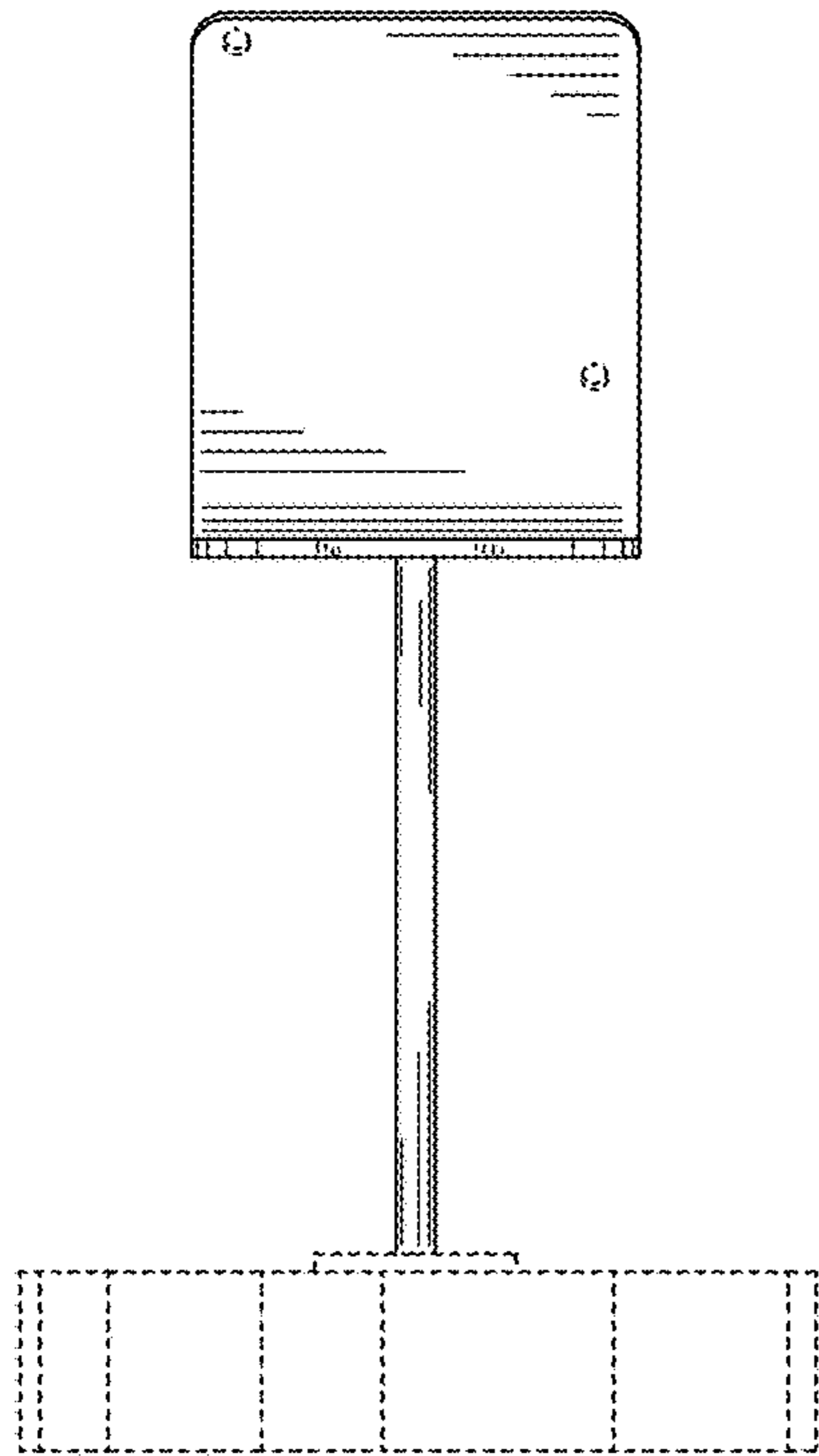


Fig. 13

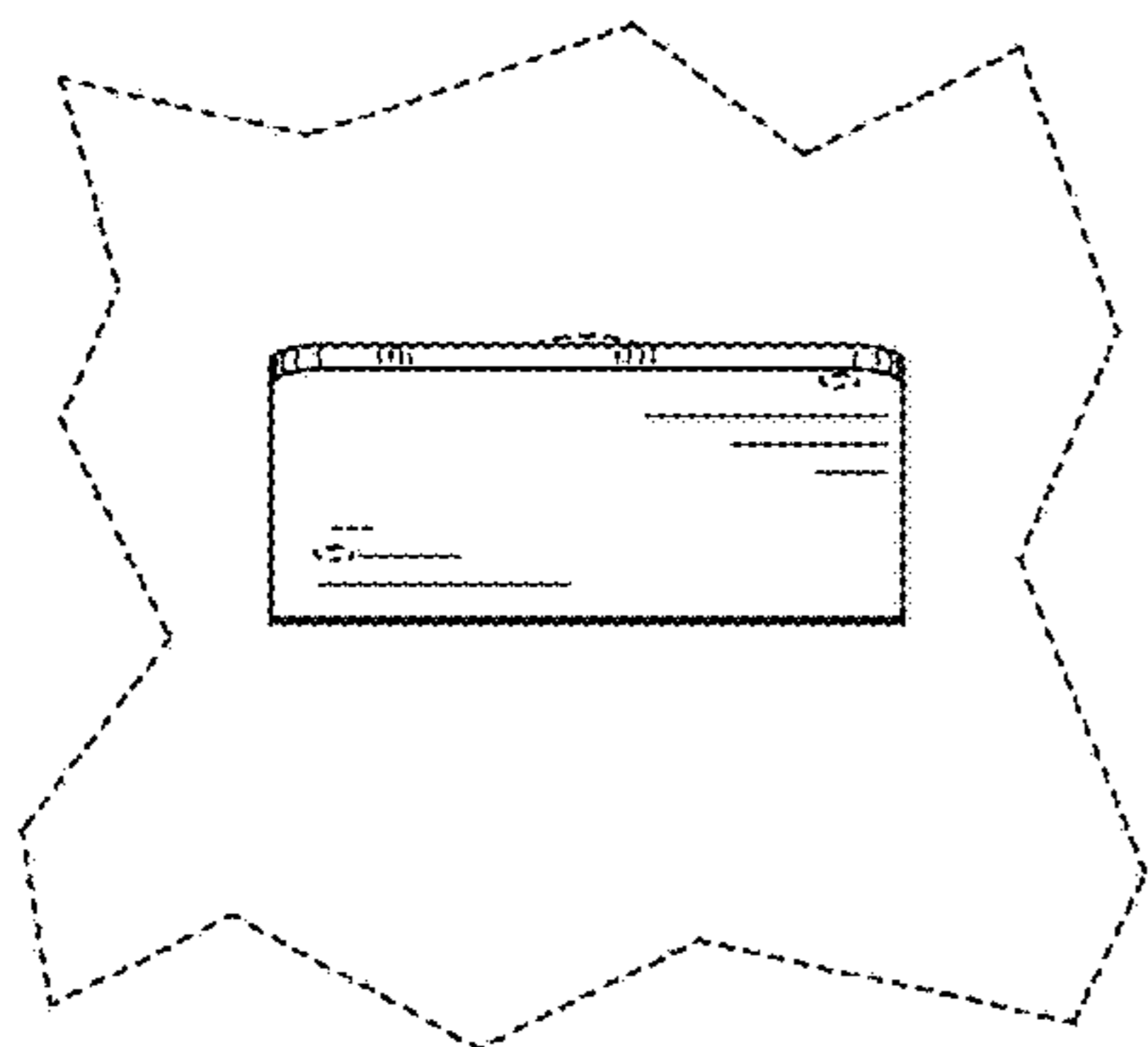


Fig. 14

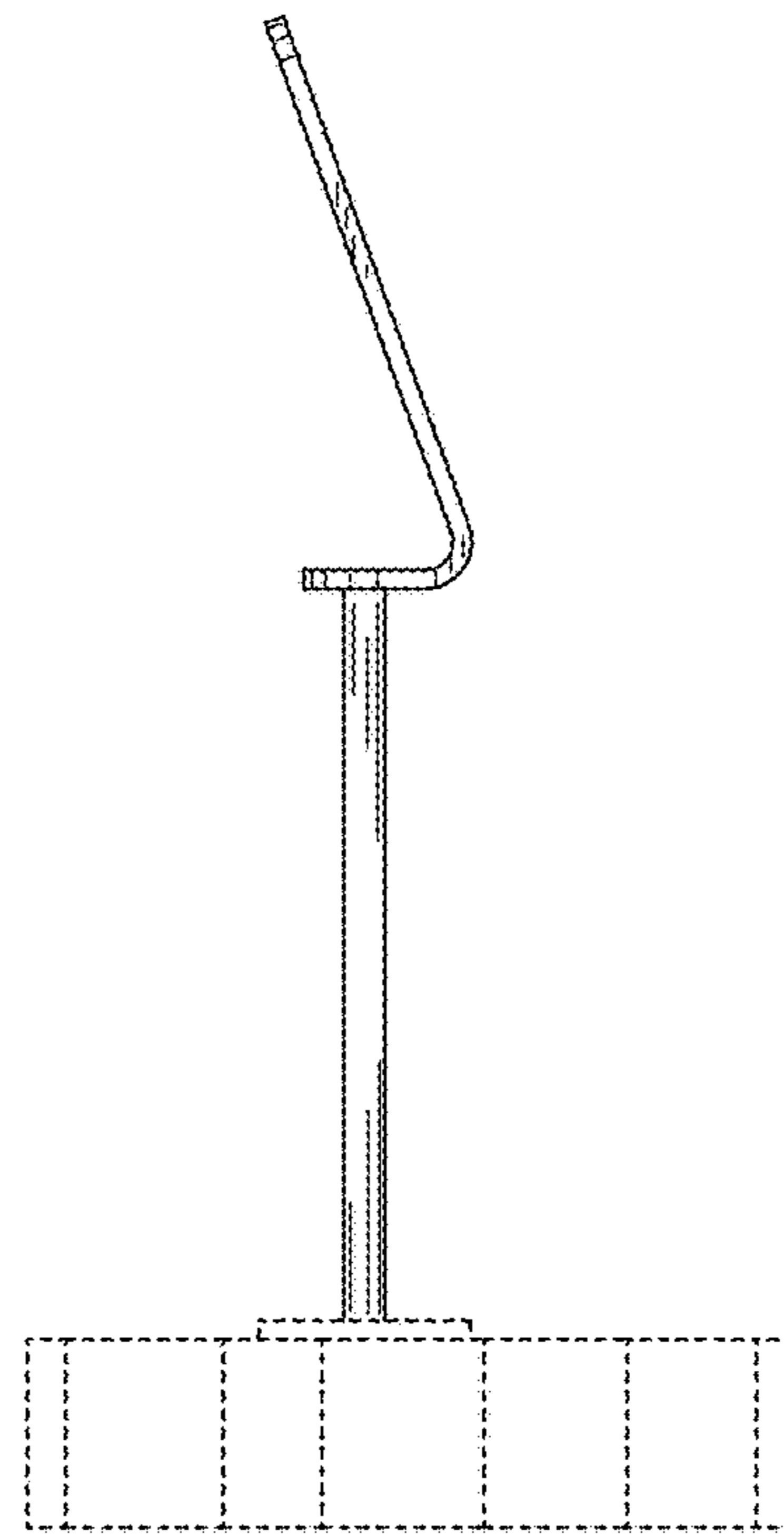


Fig. 15