



US00D789116S

(12) **United States Design Patent** (10) **Patent No.:** **US D789,116 S**
Wisecup et al. (45) **Date of Patent:** **** Jun. 13, 2017**

(54) **SAMPLE DECK FOR SELECTING A COVERING FOR AN ARCHITECTURAL OPENING**

3,514,875 A 6/1970 Howard
3,631,975 A 1/1972 Leibowitz
3,714,725 A 2/1973 Banks
3,776,503 A 12/1973 Boden et al.
4,365,355 A 12/1982 Off et al.
4,433,883 A 2/1984 Boender et al.

(71) Applicant: **Hunter Douglas Inc.**, Pearl River, NY (US)

(Continued)

(72) Inventors: **Sheryl Wisecup**, Niwot, CO (US);
Linnea Wolken, Broomfield, CO (US)

FOREIGN PATENT DOCUMENTS

(73) Assignee: **Hunter Douglas Inc.**, Pearl River, NY (US)

CA 2622936 A1 8/2009
CN 201530185731.3 6/2016

(Continued)

(**) Term: **14 Years**

OTHER PUBLICATIONS

(21) Appl. No.: **29/511,313**

Hunter Douglas Collection Book, published Sep. 2013, 3 pages.

(22) Filed: **Dec. 9, 2014**

Primary Examiner — Cynthia Ramirez

(51) **LOC (10) Cl.** **06-10**

Assistant Examiner — Llorellys Martinez-Rivera

(52) **U.S. Cl.**

(74) *Attorney, Agent, or Firm* — Leason Ellis LLP

USPC **D6/580**

(58) **Field of Classification Search**

(57) **CLAIM**

USPC D8/330, 336, 339, 342, 343, 349, 355,
D8/373, 376, 377; D6/575-581; D20/10,
D20/19, 21, 40, 42, 43, 44, 99

We claim the ornamental design for a sample deck for selecting a covering for an architectural opening, as shown and described.

CPC E06B 3/30; E06B 9/00; E06B 9/02; E06B
9/24; E06B 9/262; A47H 1/00; A47H
1/02; A47H 21/00; A47H 23/00; A47H
23/02; A47H 23/04; A47H 2001/0205;
A47H 2023/025; B31D 3/02; B31D
3/0207; B31D 3/0215; A47F 3/02; A47F
1/12; A47F 7/163; A47F 7/0014; G09F
5/04; G09B 25/00

DESCRIPTION

See application file for complete search history.

FIG. 1 is a front isometric view of a sample deck for selecting a covering for an architectural opening. FIG. 2 is a rear isometric view thereof. FIG. 3 is a front elevation view thereof. FIG. 4 is a rear elevation view thereof. FIG. 5 is a bottom plan view thereof. The top plan view is a mirror image of the bottom plan view; and, FIG. 6 is a left side elevation view thereof. The right side elevation view is a mirror image of the left side elevation view.

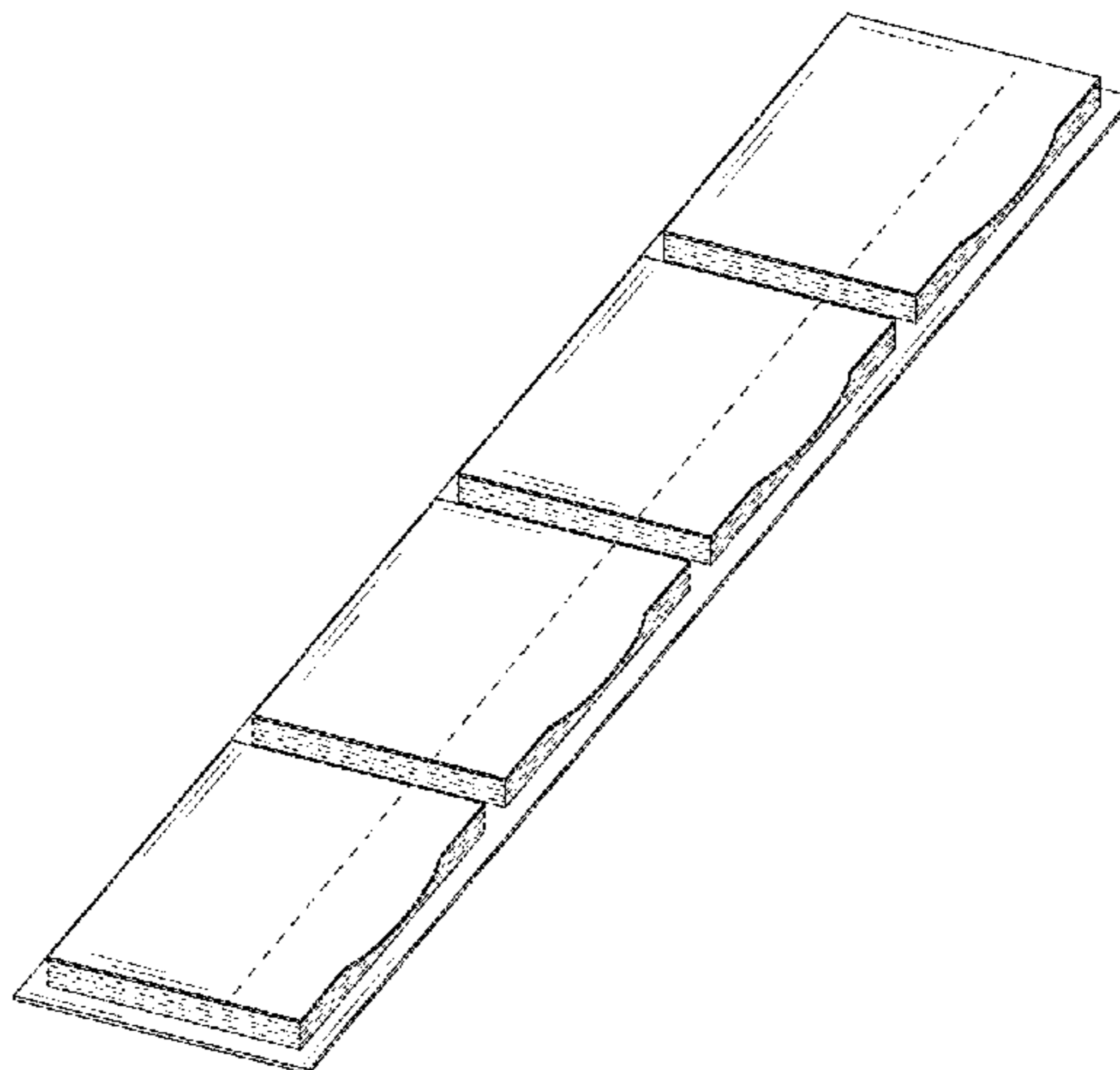
(56) **References Cited**

U.S. PATENT DOCUMENTS

817,209 A 4/1906 Williams
2,707,839 A 5/1955 Green
2,795,059 A 6/1957 Mendelsohn
2,824,394 A 2/1958 Lohnes
3,008,248 A 11/1961 Steinthal

The broken lines in FIGS. 1-6 illustrate portions of a sample deck for selecting a covering for an architectural opening that form no part of the claimed design.

1 Claim, 3 Drawing Sheets



(56)

References Cited

U.S. PATENT DOCUMENTS

4,456,122 A 6/1984 Kalal
 4,458,435 A 7/1984 Ackerman
 D284,435 S 7/1986 Zelenko et al.
 4,636,037 A 1/1987 Thomke et al.
 4,721,638 A 1/1988 Matsuguchi et al.
 4,756,693 A 7/1988 Matsuno
 4,848,855 A 7/1989 Cone
 5,031,781 A 7/1991 Price et al.
 5,050,747 A 9/1991 Krautsack
 5,370,024 A 12/1994 Lerner et al.
 5,647,485 A 7/1997 Verrangia
 D384,229 S 9/1997 Verrangia
 5,688,125 A 11/1997 Birdsong-Raffo
 D390,871 S * 2/1998 Whitney D6/309
 5,720,396 A 2/1998 Wegscheid et al.
 D391,989 S * 3/1998 Plutsky D19/33
 5,888,117 A 3/1999 Sutton
 6,019,864 A * 2/2000 Jones E06B 9/262
 160/84.05
 6,068,139 A 5/2000 Brozak, Jr.
 6,204,896 B1 3/2001 Matsuhira et al.
 6,257,301 B1 7/2001 Conforti
 6,310,612 B1 10/2001 Kotsubo et al.
 6,503,188 B1 1/2003 August
 6,665,965 B1 12/2003 Turchi et al.
 6,691,872 B1 * 2/2004 Berman G09F 5/04
 206/484
 6,740,379 B1 5/2004 Congard et al.
 7,097,049 B1 8/2006 Singer et al.
 7,210,587 B1 5/2007 Singer et al.
 7,290,365 B1 11/2007 Plutsky
 7,665,617 B2 2/2010 Shea
 7,992,330 B2 8/2011 DaRif et al.
 8,132,679 B2 3/2012 Berry et al.
 8,286,808 B1 10/2012 Setlik
 9,038,292 B2 5/2015 Lynch
 D734,060 S * 7/2015 Colson D6/580
 D734,061 S * 7/2015 Colson D6/580
 2004/0069417 A1 4/2004 Sun et al.
 2004/0099626 A1 * 5/2004 Belt G09F 5/04
 211/113
 2004/0154243 A1 8/2004 Park
 2005/0170151 A1 8/2005 Dobson et al.
 2005/0235530 A1 10/2005 Boisvert
 2006/0000559 A1 1/2006 Bohlen
 2006/0257609 A1 * 11/2006 Winter G09F 5/04
 428/40.1
 2007/0234599 A1 * 10/2007 Davis G09F 5/04
 40/27.5
 2008/0092457 A1 * 4/2008 Malone G09F 5/04
 52/105
 2008/0113318 A1 * 5/2008 Veltri G09F 5/04
 434/95

2008/0149279 A1 6/2008 Leighty et al.
 2009/0211715 A1 8/2009 Udofia
 2010/0288446 A1 * 11/2010 Foley E06B 9/262
 160/84.04
 2010/0300630 A1 * 12/2010 Su E06B 9/262
 160/84.05
 2012/0018108 A1 * 1/2012 Lin E06B 9/262
 160/340
 2012/0144708 A1 6/2012 Schwartz
 2012/0148766 A1 * 6/2012 Massol A63H 33/38
 428/13
 2012/0175070 A1 * 7/2012 Rupel E06B 9/262
 160/84.05
 2012/0189797 A1 * 7/2012 Moriba G09F 5/04
 428/42.1
 2012/0285915 A1 11/2012 O'Quinn et al.
 2012/0329011 A1 12/2012 Clark
 2013/0042511 A1 2/2013 Schwartz
 2013/0047478 A1 2/2013 Chang
 2013/0228295 A1 * 9/2013 Chen E06B 9/262
 160/368.1
 2013/0340303 A1 * 12/2013 Lamendella G09F 5/04
 40/1
 2014/0165434 A1 6/2014 Lynch
 2014/0168779 A1 * 6/2014 Malkan E06B 9/262
 359/614
 2014/0216666 A1 * 8/2014 Smith E06B 9/262
 160/84.04
 2015/0014260 A1 * 1/2015 Lynch A47F 7/0014
 211/45
 2015/0197984 A1 * 7/2015 Anderson E06B 9/262
 160/298
 2015/0218881 A1 * 8/2015 Cheringal E06B 9/262
 160/84.06
 2016/0163239 A1 6/2016 Church et al.
 2016/0186486 A1 * 6/2016 Chen E06B 9/24
 160/84.07
 2016/0273268 A1 * 9/2016 Yocum E06B 9/262

FOREIGN PATENT DOCUMENTS

GB 2358511 A 7/2001
 HK 1501191.1M001 6/2015
 HK 1501191.1M002 6/2015
 HK 1501191.1M003 6/2015
 HK 1501191.1M004 6/2015
 JP 1547968 3/2016
 JP 1547969 3/2016
 JP 1547970 3/2016
 JP 1547971 3/2016
 KR 30-0852238 4/2016
 TW D147064 A 5/2012
 WO 2011/026245 A1 3/2011
 WO 2014/099871 A2 6/2014

* cited by examiner

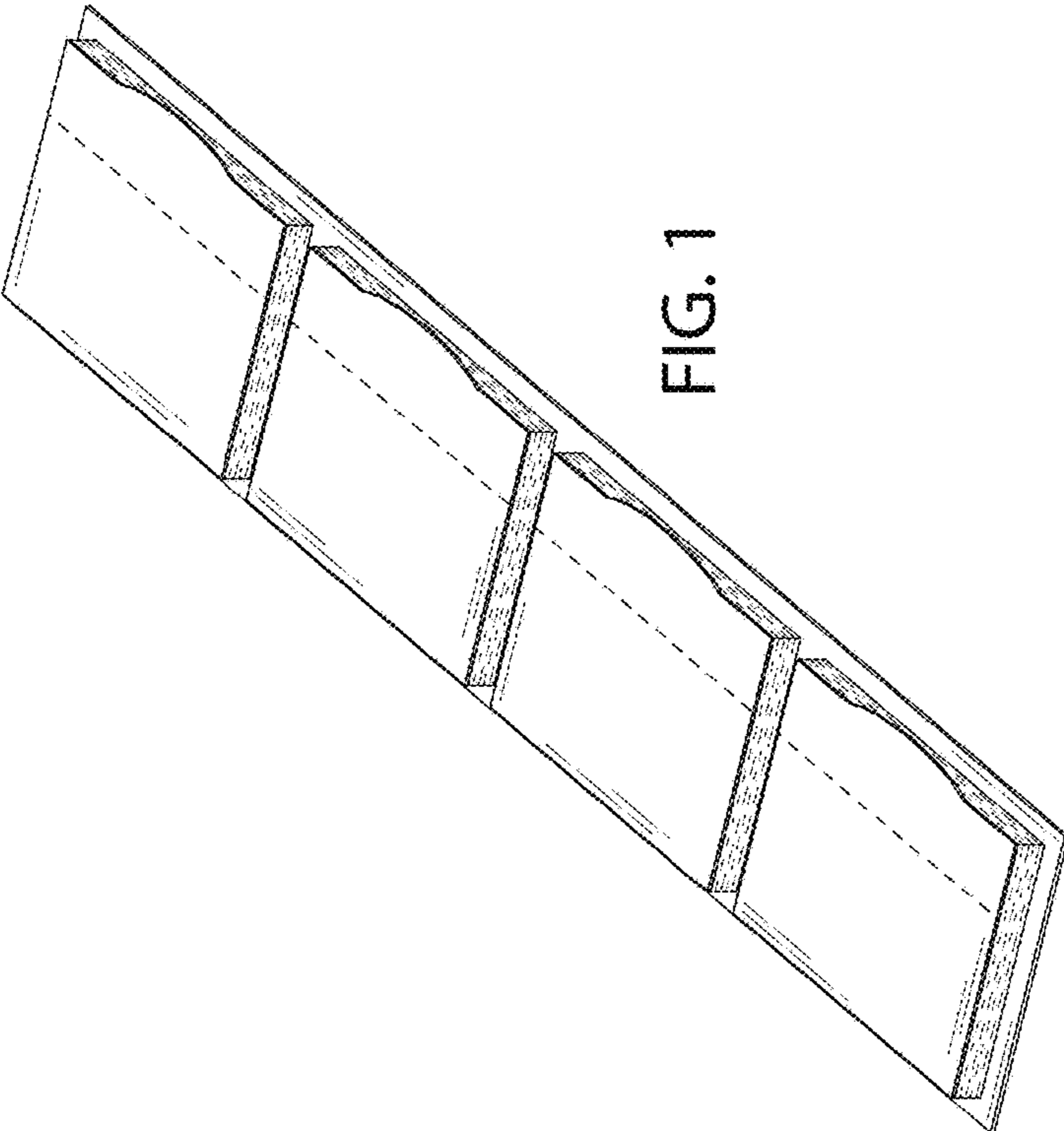


FIG. 1

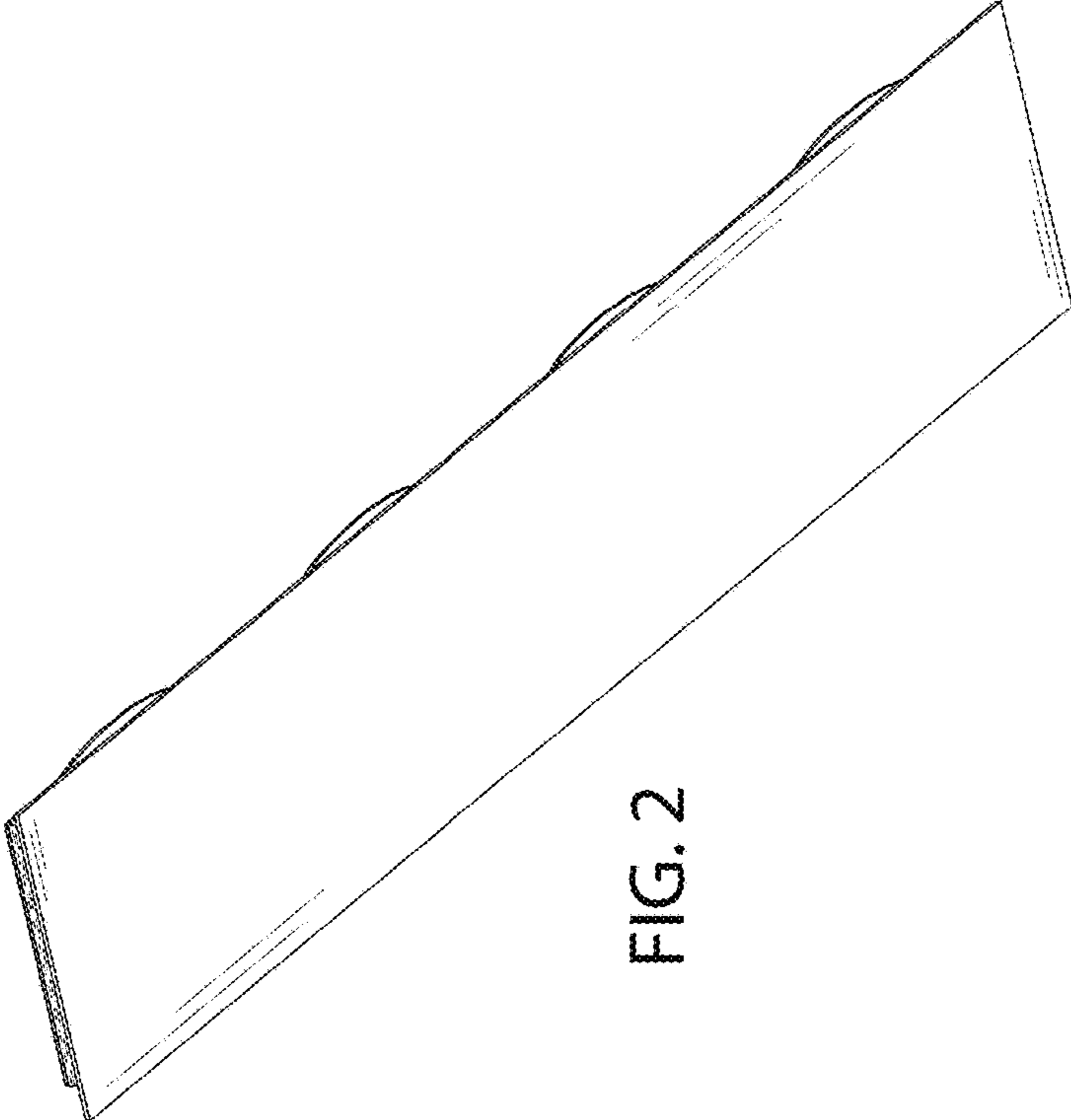


FIG. 2

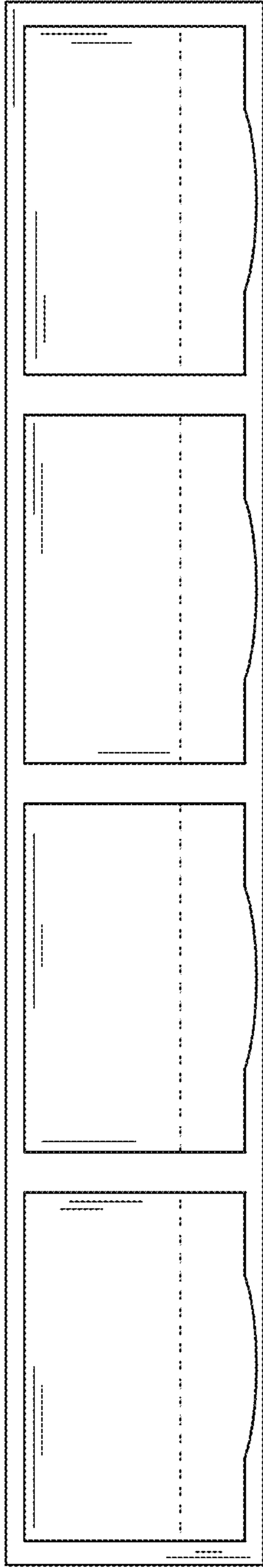


FIG. 3

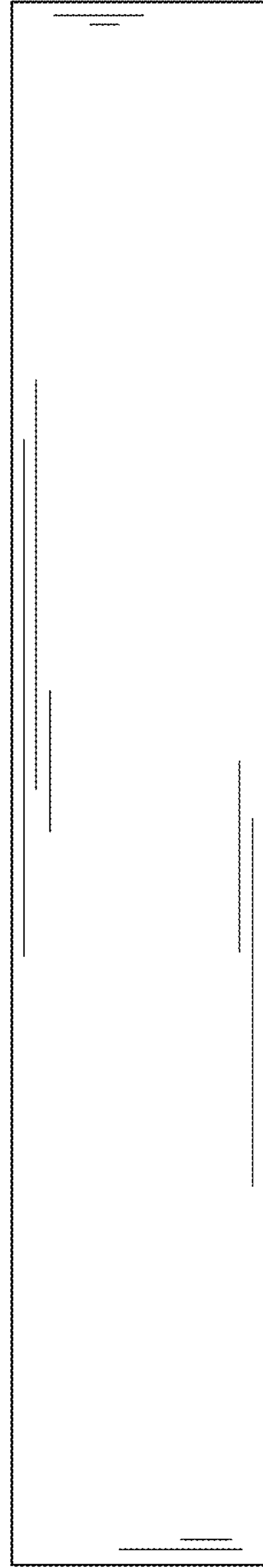


FIG. 4



FIG. 5



FIG. 6