



US00D789115S

(12) **United States Design Patent**
Coma Donat

(10) **Patent No.:** **US D789,115 S**

(45) **Date of Patent:** **** Jun. 13, 2017**

(54) **OVER DOOR STORAGE HANGER**

D427,505 S * 7/2000 Laga D8/367
D702,969 S * 4/2014 Margulis D6/513

(71) Applicant: **Lluis Coma Donat**, Vilamalla (ES)

* cited by examiner

(72) Inventor: **Lluis Coma Donat**, Vilamalla (ES)

Primary Examiner — Wan Laymon

(**) Term: **15 Years**

Assistant Examiner — Mark Booker

(21) Appl. No.: **29/554,687**

(74) *Attorney, Agent, or Firm* — Charles E. Baxley

(22) Filed: **Feb. 13, 2016**

(57) **CLAIM**

(51) **LOC (10) Cl.** **06-04**

The ornamental design for an over door storage hanger, as shown and described.

(52) **U.S. Cl.**

USPC **D6/553**

(58) **Field of Classification Search**

USPC D6/553, 320, 323, 325, 328, 512, 524,
D6/540, 546, 552; D8/367, 373, 380;
D19/20, 75; 248/303, 339

CPC ... G09F 15/0018; G09F 7/18; A47G 25/0614;
A47G 25/06; A47G 25/0685; F16B 45/00

See application file for complete search history.

DESCRIPTION

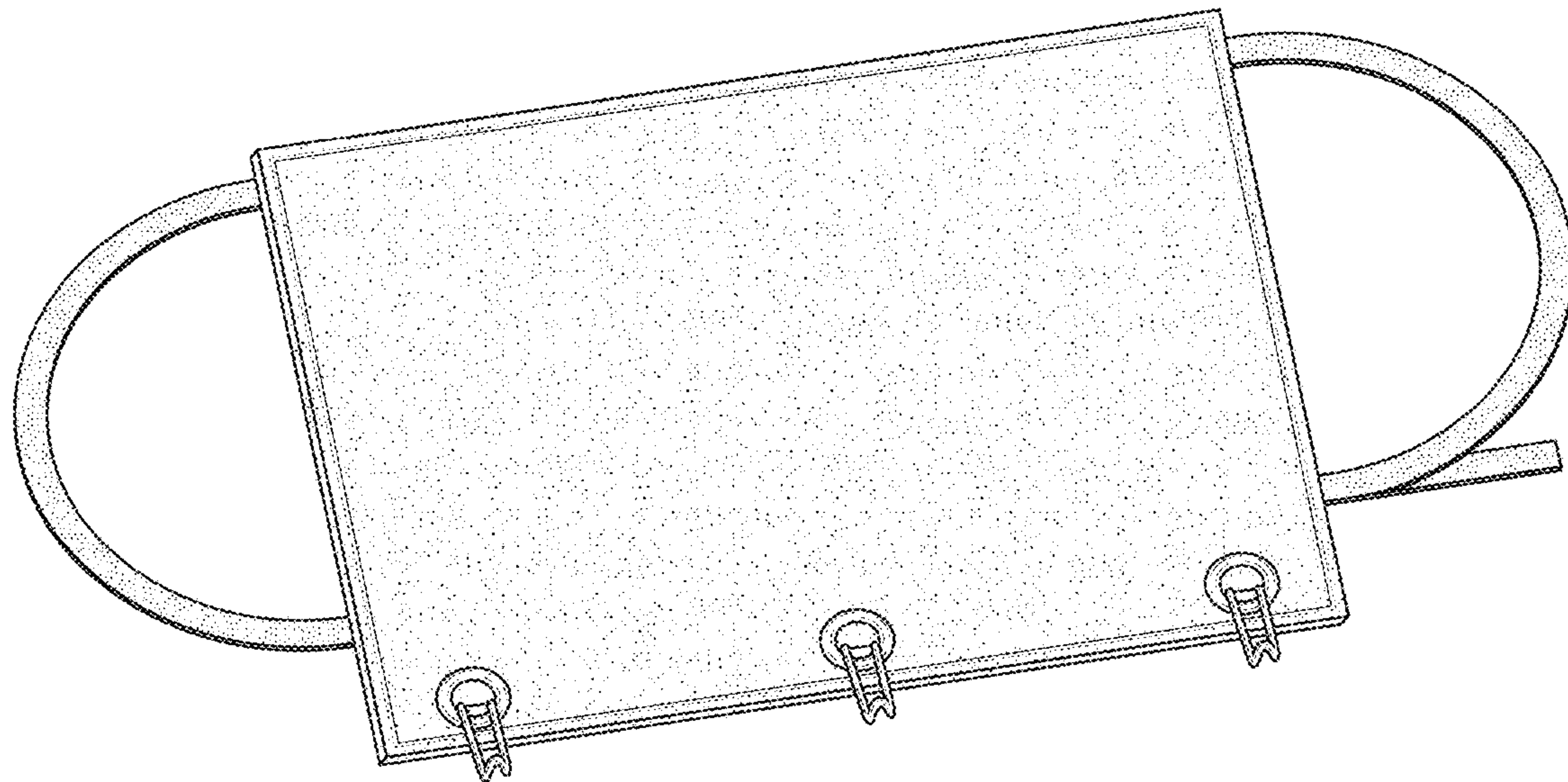
FIG. 1 is a perspective view thereof;
FIG. 2 is a front elevational view thereof;
FIG. 3 is a right side view thereof
FIG. 4 is a back elevational view thereof;
FIG. 5 is a left side view thereof;
FIG. 6 is a top plan view thereof; and,
FIG. 7 is a bottom view thereof.

(56) **References Cited**

U.S. PATENT DOCUMENTS

D366,766 S * 2/1996 Bennett D6/320

1 Claim, 5 Drawing Sheets



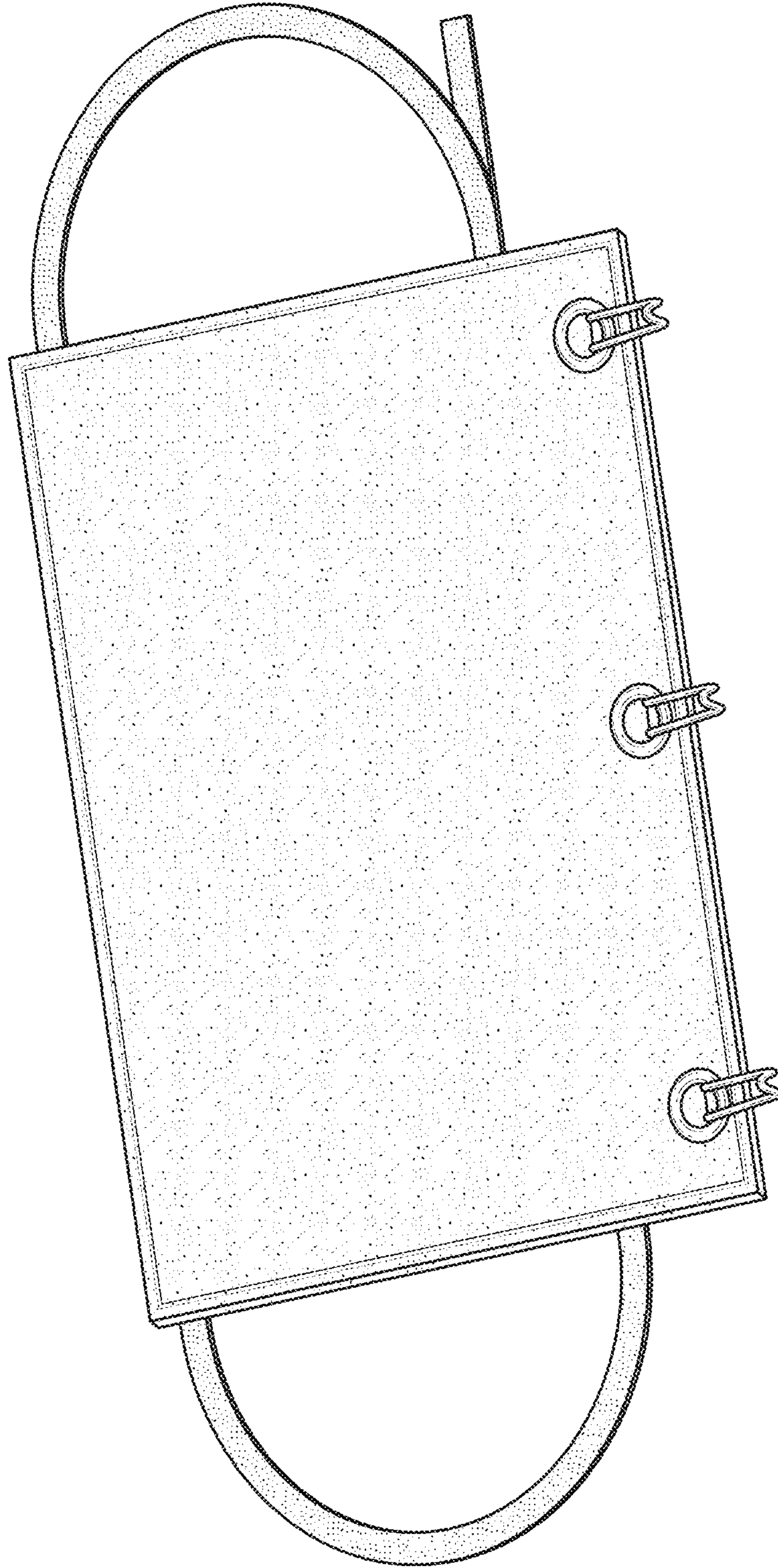


FIG. 1

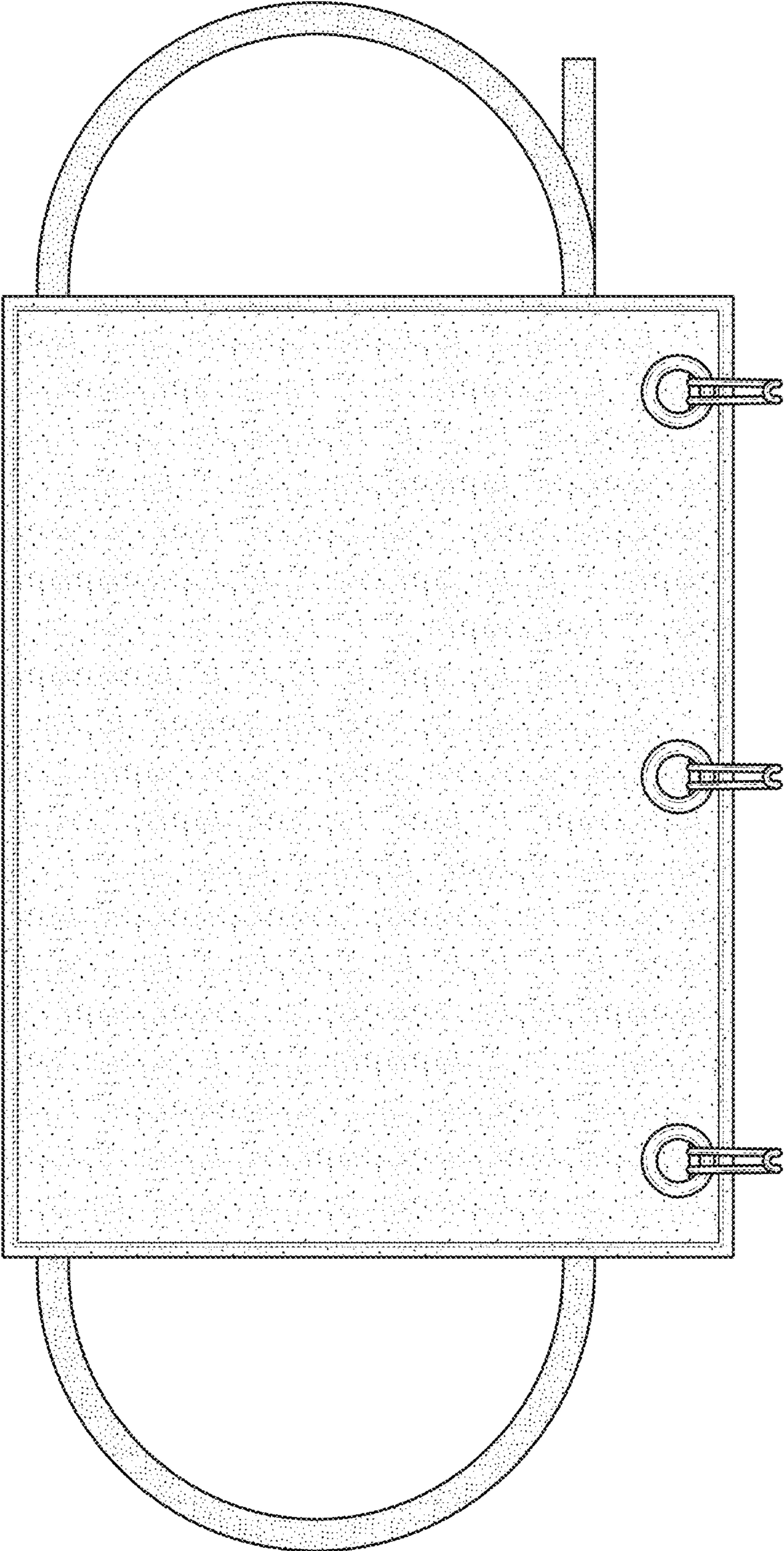


FIG. 2



FIG. 5

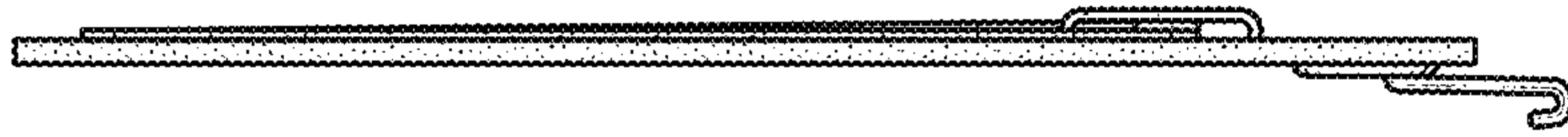


FIG. 3

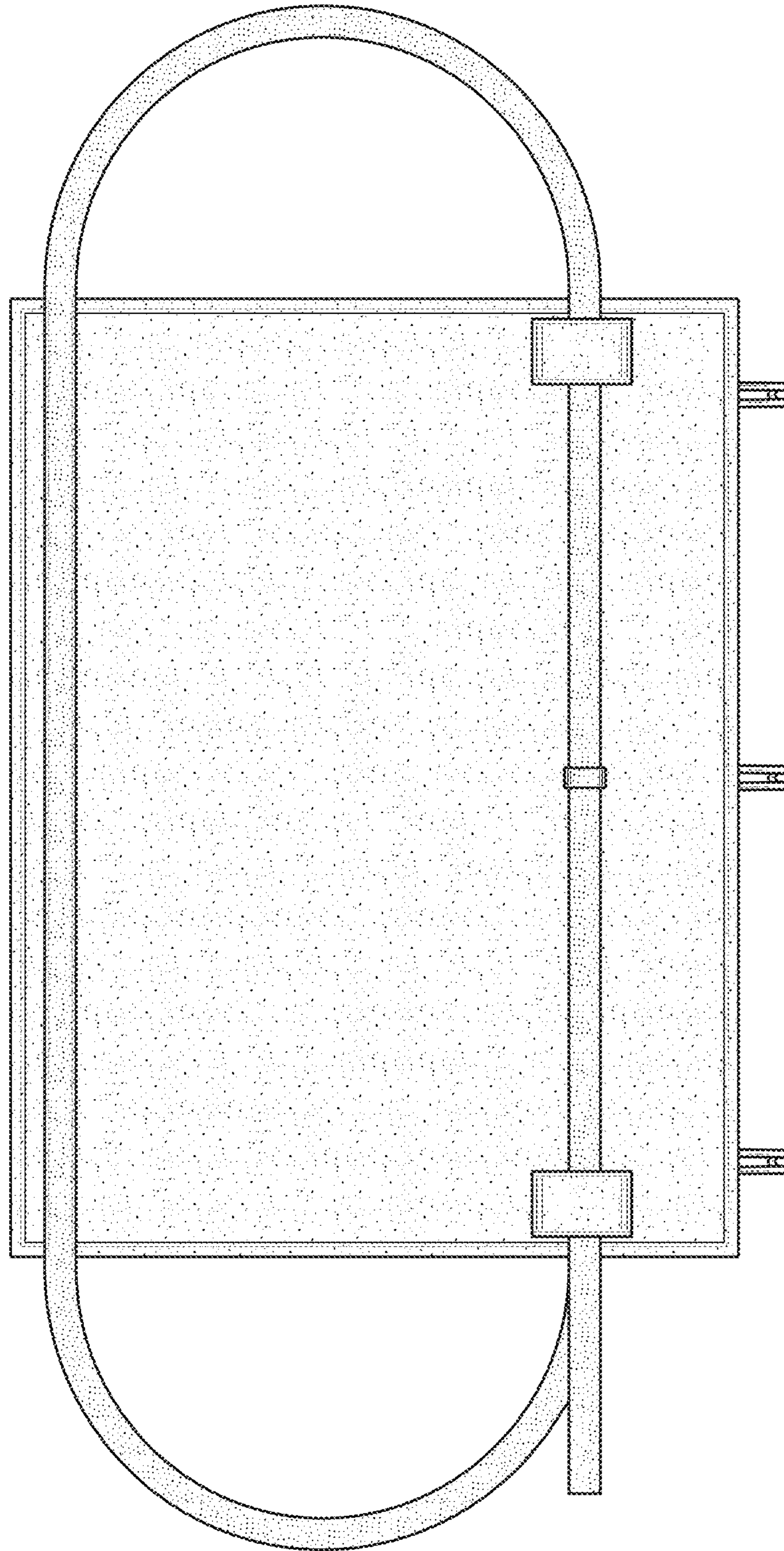


FIG. 4

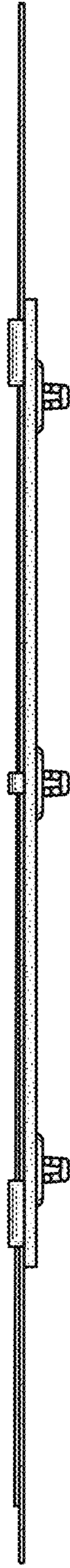


FIG. 6

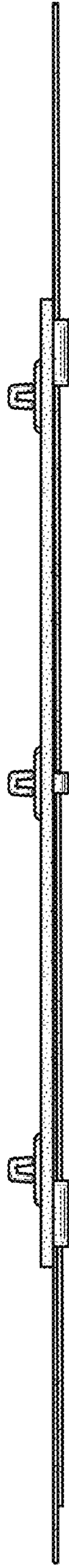


FIG. 7