



US00D789111S

(12) **United States Design Patent**
Terrill et al.

(10) **Patent No.:** **US D789,111 S**
(45) **Date of Patent:** **** Jun. 13, 2017**

(54) **ADAPTOR**
(71) Applicant: **SCA Hygiene Products AB**,
Gothenburg (SE)
(72) Inventors: **Andrew B. Terrill**, Prairie du Sac, WI
(US); **Lance Nehotte**, Madison, WI
(US)
(73) Assignee: **SCA Hygiene Products AB**,
Gothenburg (SE)
(**) Term: **15 Years**

5,495,997 A * 3/1996 Moody A47K 10/38
242/560
5,669,576 A * 9/1997 Moody A47K 10/38
242/560.3
D563,707 S * 3/2008 Lee D6/549
7,828,240 B2 * 11/2010 Hagleitner A47K 10/38
242/598.3
7,905,444 B2 * 3/2011 Chen B41J 35/28
242/571.3
8,096,495 B2 * 1/2012 Billman A47K 10/40
242/598.3
D666,038 S * 8/2012 Wilkins D6/523
D697,332 S * 1/2014 Huang D6/518
2014/0263112 A1 * 9/2014 Bird A47F 1/04
211/59.2

(21) Appl. No.: **29/560,567**
(22) Filed: **Apr. 7, 2016**
(51) **LOC (10) Cl.** **23-02**
(52) **U.S. Cl.**
USPC **D6/523**
(58) **Field of Classification Search**
USPC D6/515, 518-523; D3/201; 206/389,
206/391, 407, 409; 312/34.1, 34.8;
211/16, 85.5, 59.2; 221/92, 97, 185, 282,
221/284; 242/159, 160.2, 550, 560, 590,
242/594, 59, 588, 598, 598.3, 598.65
CPC A47K 10/38; A47K 2010/3206; A47K
10/3612; A47K 10/3625; A47K 10/3662
See application file for complete search history.

* cited by examiner

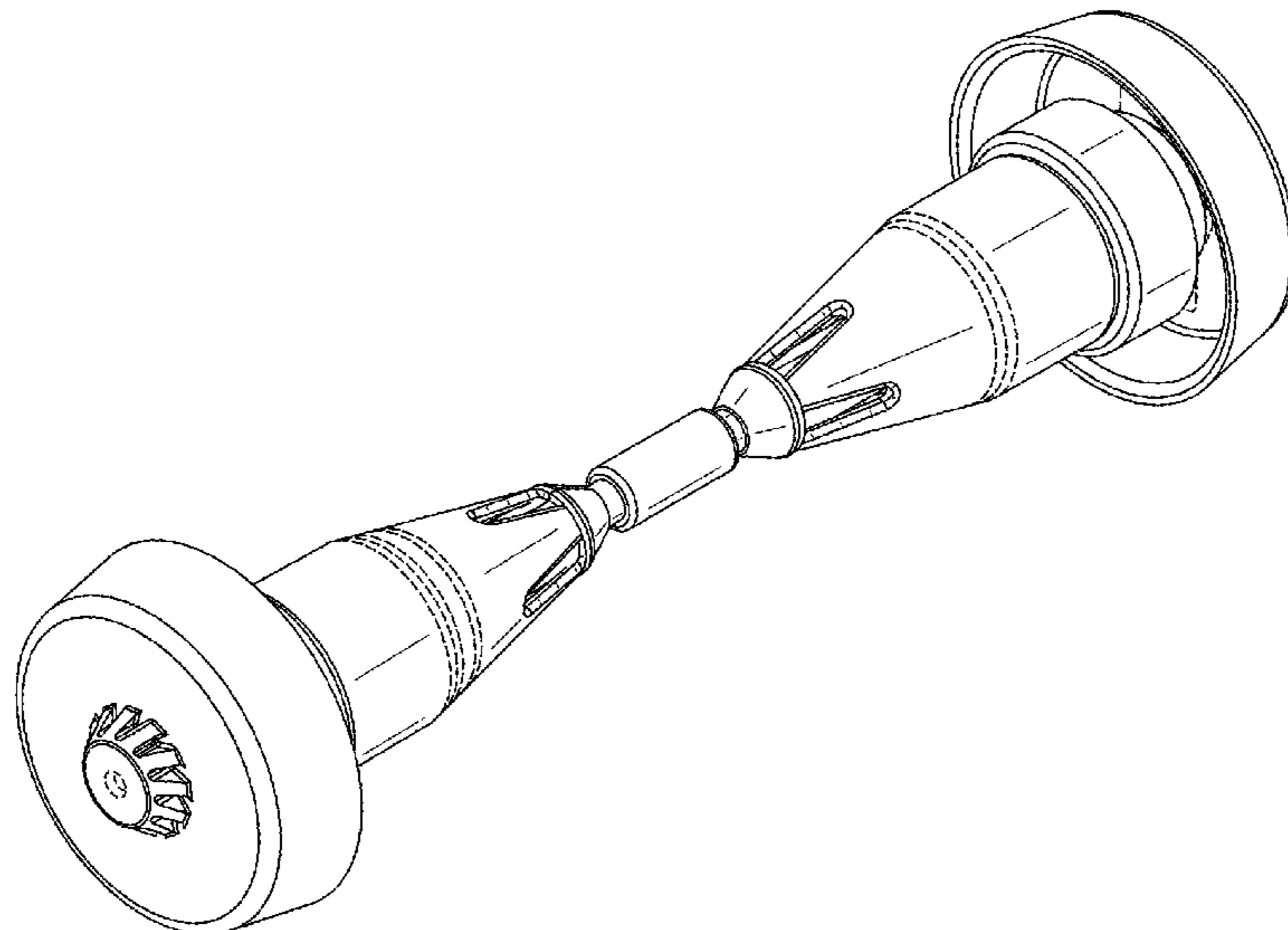
Primary Examiner — David Muller
Assistant Examiner — Nathan Johnston
(74) *Attorney, Agent, or Firm* — Buchanan, Ingersoll &
Rooney PC

(56) **References Cited**
U.S. PATENT DOCUMENTS
3,722,929 A * 3/1973 Gilman B65H 75/08
242/571.5
4,298,122 A * 11/1981 Ekelund B65H 75/28
206/227
D303,887 S * 10/1989 Reid 52/831
D325,486 S * 4/1992 Goldstein D6/518

(57) **CLAIM**
The ornamental design for an adaptor, as shown and
described.

DESCRIPTION
FIG. 1 is a front, left side and top perspective view of an
adaptor showing our new design.
FIG. 2 is a front elevational view thereof, the rear elevational
view being a mirror image thereof.
FIG. 3 is a left side elevational view thereof, the other side
being a mirror image thereof; and,
FIG. 4 is a front, right side and bottom perspective view
thereof.
The broken line showing in the drawings is included for
environmental purposes only to illustrate portions of the
adaptor that form no part of the claimed design.

1 Claim, 2 Drawing Sheets



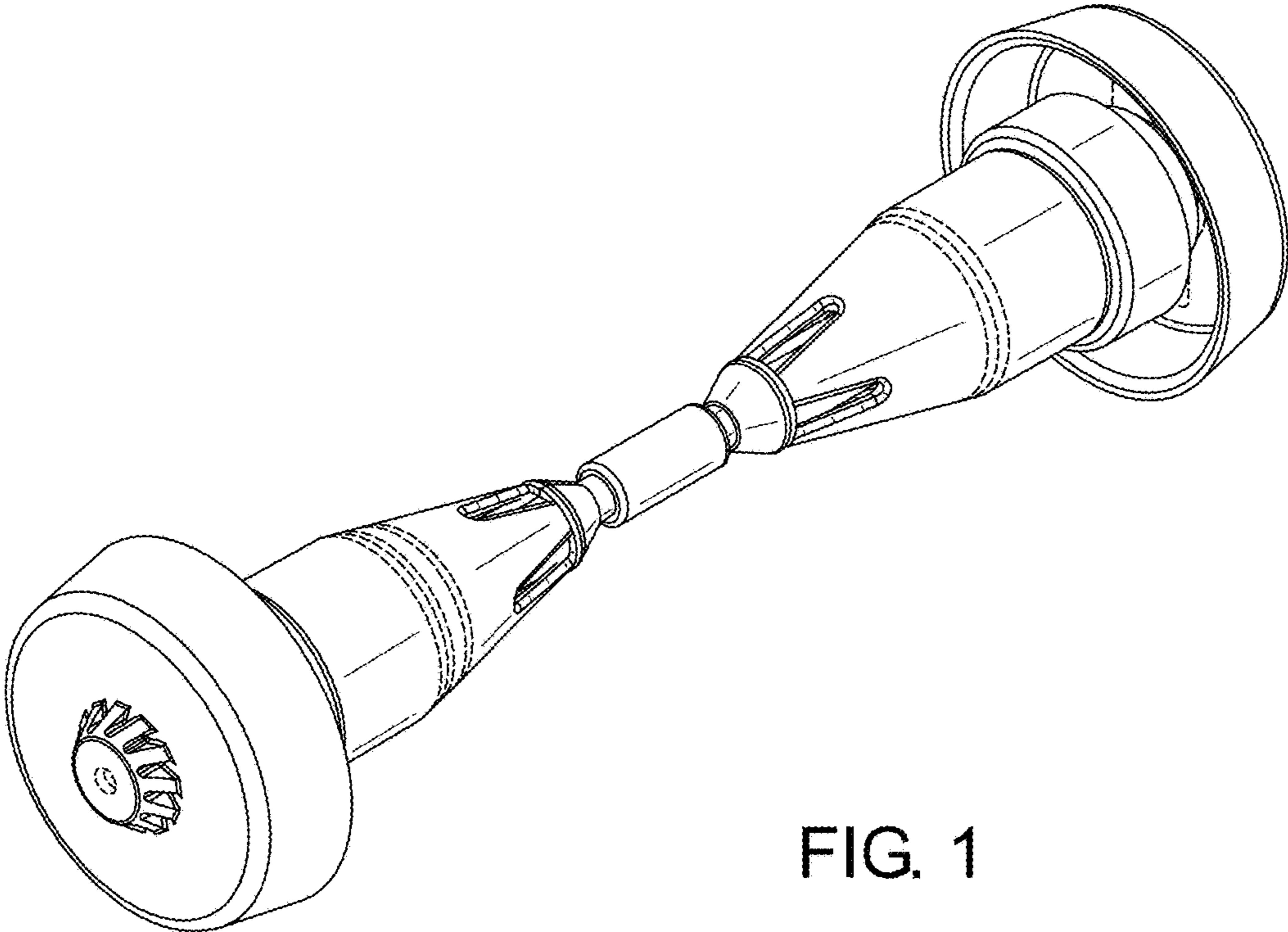


FIG. 1

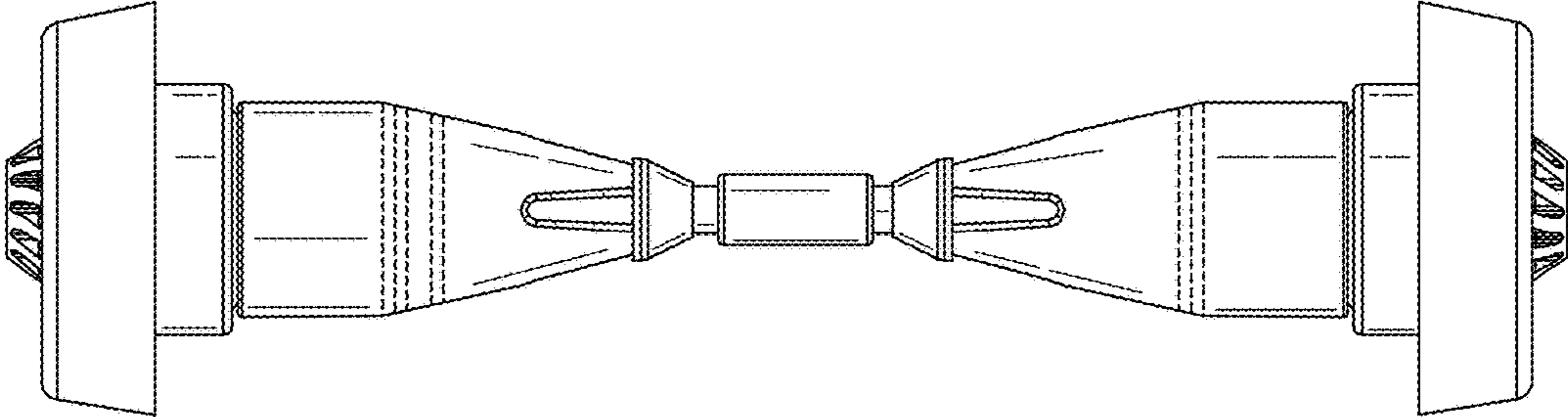


FIG. 2

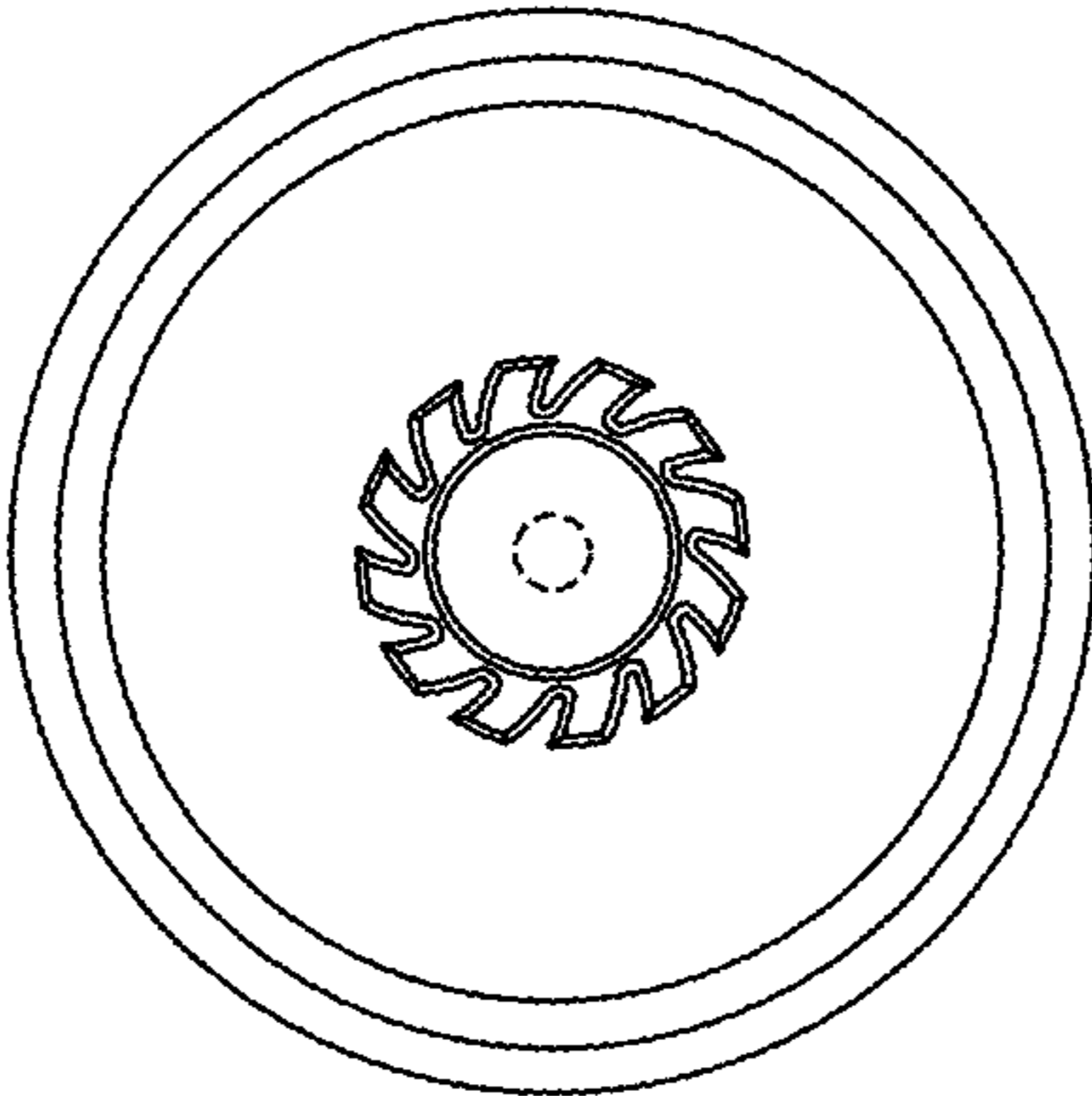


FIG. 3

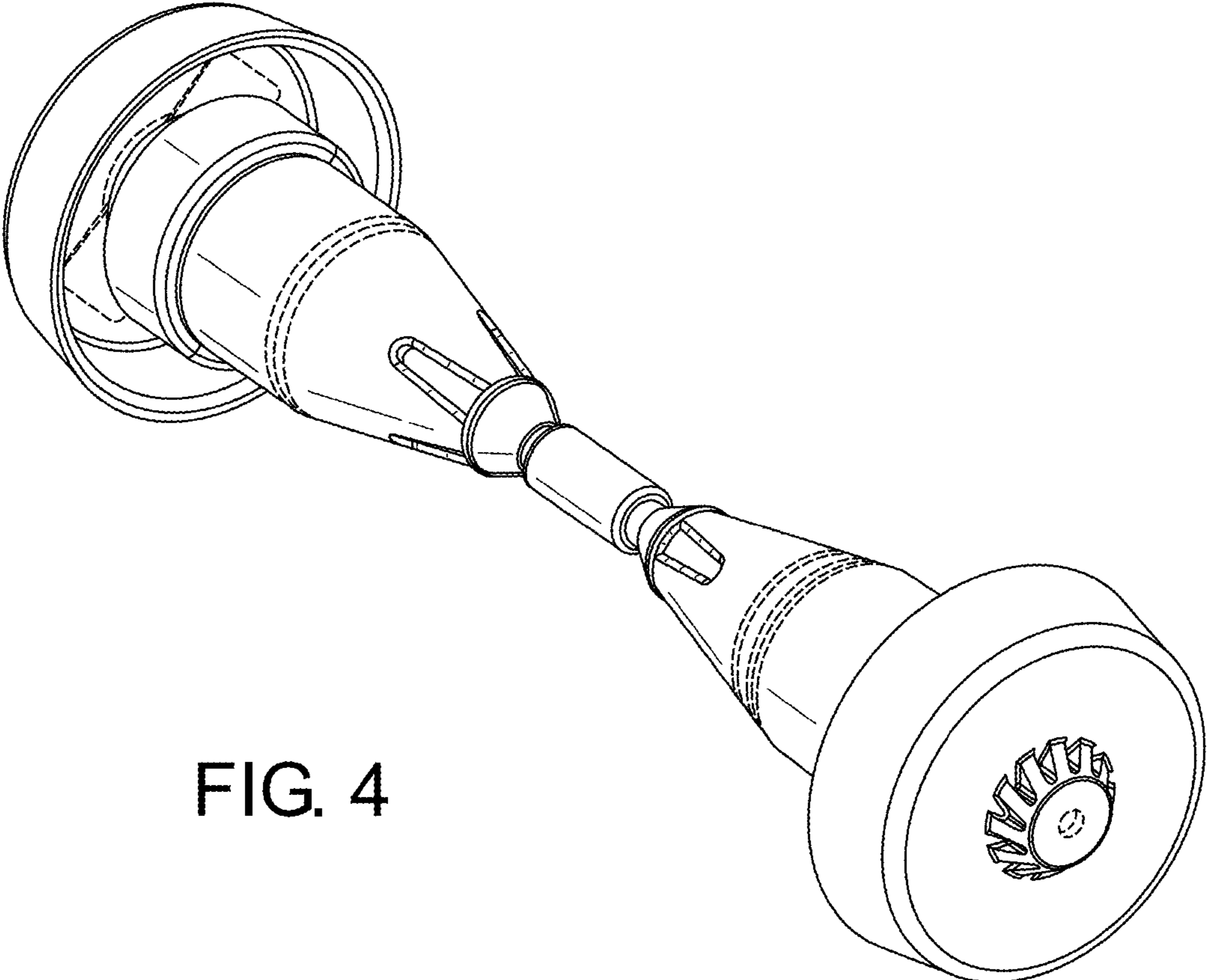


FIG. 4