



US00D789110S

(12) **United States Design Patent**  
**Macari et al.**

(10) **Patent No.:** **US D789,110 S**  
(45) **Date of Patent:** **\*\* Jun. 13, 2017**

- (54) **PLATFORM FOR PLANTS**
- (71) Applicant: **Clean Roots, Inc.**, Greene, RI (US)
- (72) Inventors: **Alfred Antonio Macari**, Greene, RI (US); **Joseph Anthony Lupo**, Warwick, RI (US)
- (73) Assignee: **Clean Roots, Inc.**, Warwick, RI (US)
- (\*\*) Term: **15 Years**
- (21) Appl. No.: **29/548,958**
- (22) Filed: **Dec. 17, 2015**

**Related U.S. Application Data**

- (63) Continuation of application No. 29/519,776, filed on Mar. 7, 2015.
- (51) **LOC (10) Cl.** ..... **11-02**
- (52) **U.S. Cl.**  
USPC ..... **D6/403**
- (58) **Field of Classification Search**  
USPC ..... D6/403–405, 556–558; D11/143–156,  
D11/164; D7/545, 584, 587; 47/67;  
D34/38  
CPC ..... A01G 9/02; A01G 9/021; A01G 9/023;  
A01G 9/024; A01G 9/028; A01G 9/04;  
A01G 9/042; A01G 9/14  
See application file for complete search history.

(56) **References Cited**

**U.S. PATENT DOCUMENTS**

- 515,032 A \* 2/1894 Vestal ..... A01G 9/104  
47/73
- 903,227 A \* 11/1908 Pruden ..... A47G 7/00  
206/216
- 3,277,849 A \* 10/1966 Talbot ..... B65D 19/0097  
108/53.3
- D217,861 S \* 6/1970 Bartee ..... D34/38

- D221,277 S \* 7/1971 Wharton ..... D34/38
- 3,707,127 A \* 12/1972 Palfey ..... B65D 19/004  
108/53.3
- 3,776,435 A \* 12/1973 Smith ..... B65D 19/004  
108/53.3
- D241,875 S \* 10/1976 Insalaco ..... D11/164
- 4,263,855 A \* 4/1981 Lawlor ..... B65D 19/004  
108/53.3
- D314,875 S \* 2/1991 Juergens ..... D6/675
- D322,705 S \* 12/1991 Rasmussen ..... D34/38
- 5,142,994 A \* 9/1992 Sandberg ..... B27N 5/00  
108/53.3
- 5,375,370 A \* 12/1994 Zimmerman ..... A47G 7/07  
248/188
- 5,467,555 A \* 11/1995 Ripley, Sr. .... E01C 13/083  
220/7
- D365,541 S \* 12/1995 Hirsch ..... D11/164
- D432,284 S \* 10/2000 Lux, Jr. .... D13/118
- D458,000 S \* 5/2002 Medoff ..... D34/38
- D511,034 S \* 10/2005 Milles ..... D34/38

(Continued)

*Primary Examiner* — Elizabeth Albert

(74) *Attorney, Agent, or Firm* — Adler Pollock & Sheehan P.C.; Daniel J. Holmander; George N. Chaclas

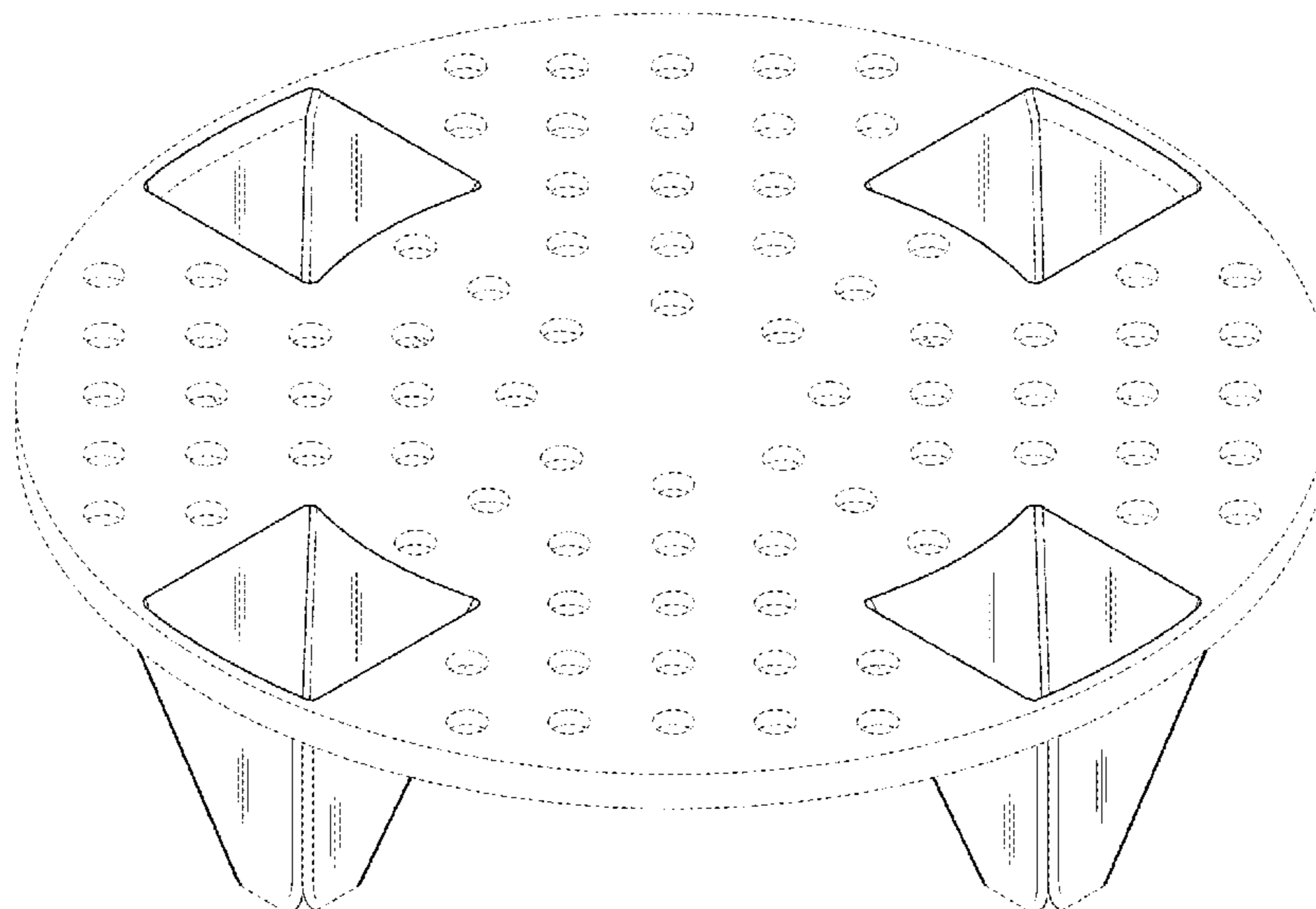
(57) **CLAIM**

The ornamental design for a platform for plants, as shown and described.

**DESCRIPTION**

FIG. 1 is a top perspective view of the platform for plants showing our new design;  
 FIG. 2 is a bottom perspective view thereof;  
 FIG. 3 is a front view thereof;  
 FIG. 4 is a side view thereof;  
 FIG. 5 is a top view thereof; and,  
 FIG. 6 is a bottom view thereof.  
 The broken lines in the drawings are included for the purpose of illustrating portions of the platform for plants that form no part of the claimed design.

**1 Claim, 6 Drawing Sheets**



(56)

**References Cited**

U.S. PATENT DOCUMENTS

D554,825 S \* 11/2007 Lux, Jr. .... D34/38  
D555,324 S \* 11/2007 Lux, Jr. .... D34/38  
D577,159 S \* 9/2008 Hasapoglou ..... D30/128  
8,033,420 B2 \* 10/2011 Roseblade ..... A47G 19/2211  
220/369  
D691,343 S \* 10/2013 Levoir ..... D34/38  
D698,182 S \* 1/2014 Schall ..... D6/403  
8,950,113 B1 \* 2/2015 Schall ..... B65D 19/18  
220/533  
D726,585 S \* 4/2015 Schall ..... D11/155

\* cited by examiner

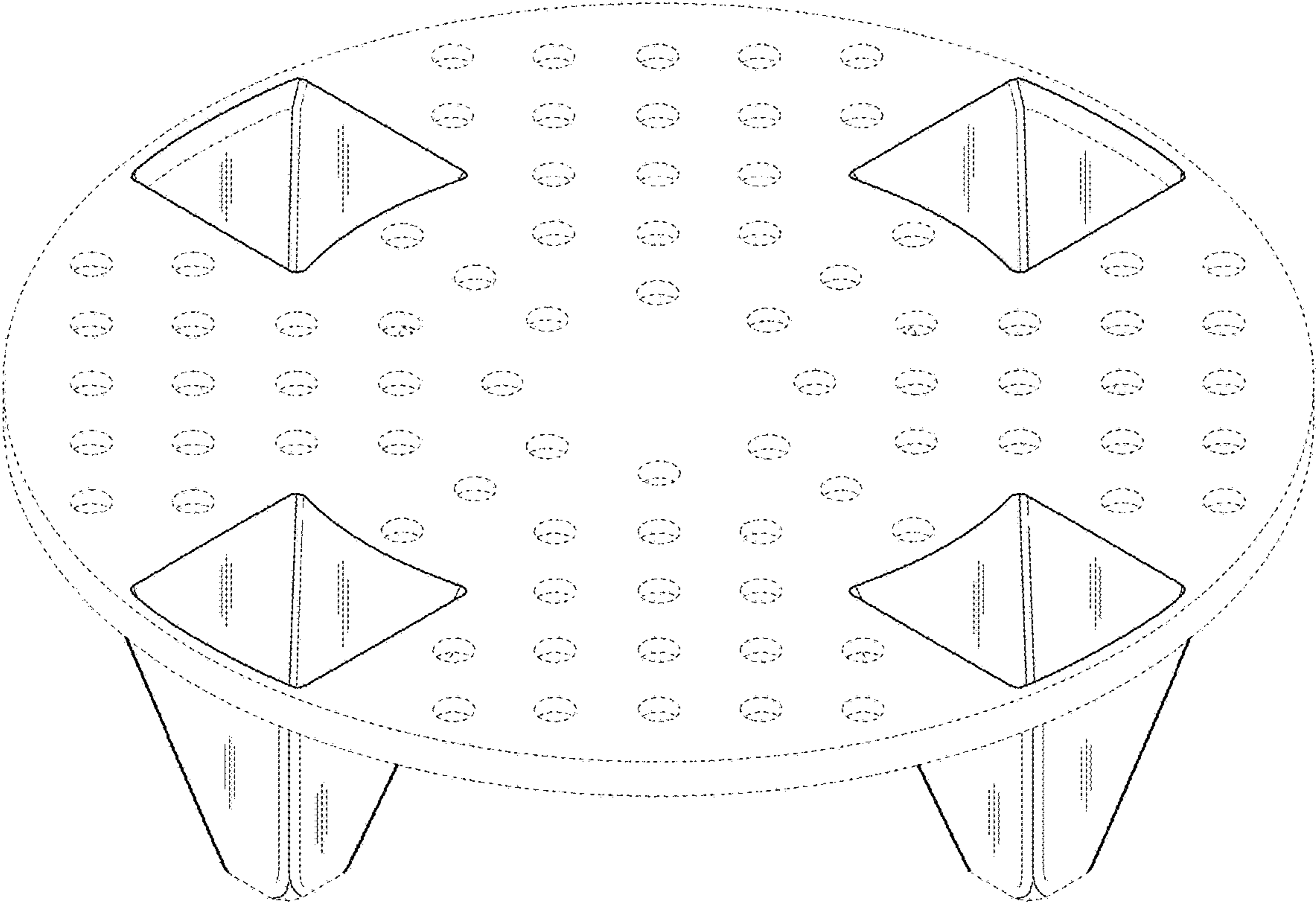


Fig. 1

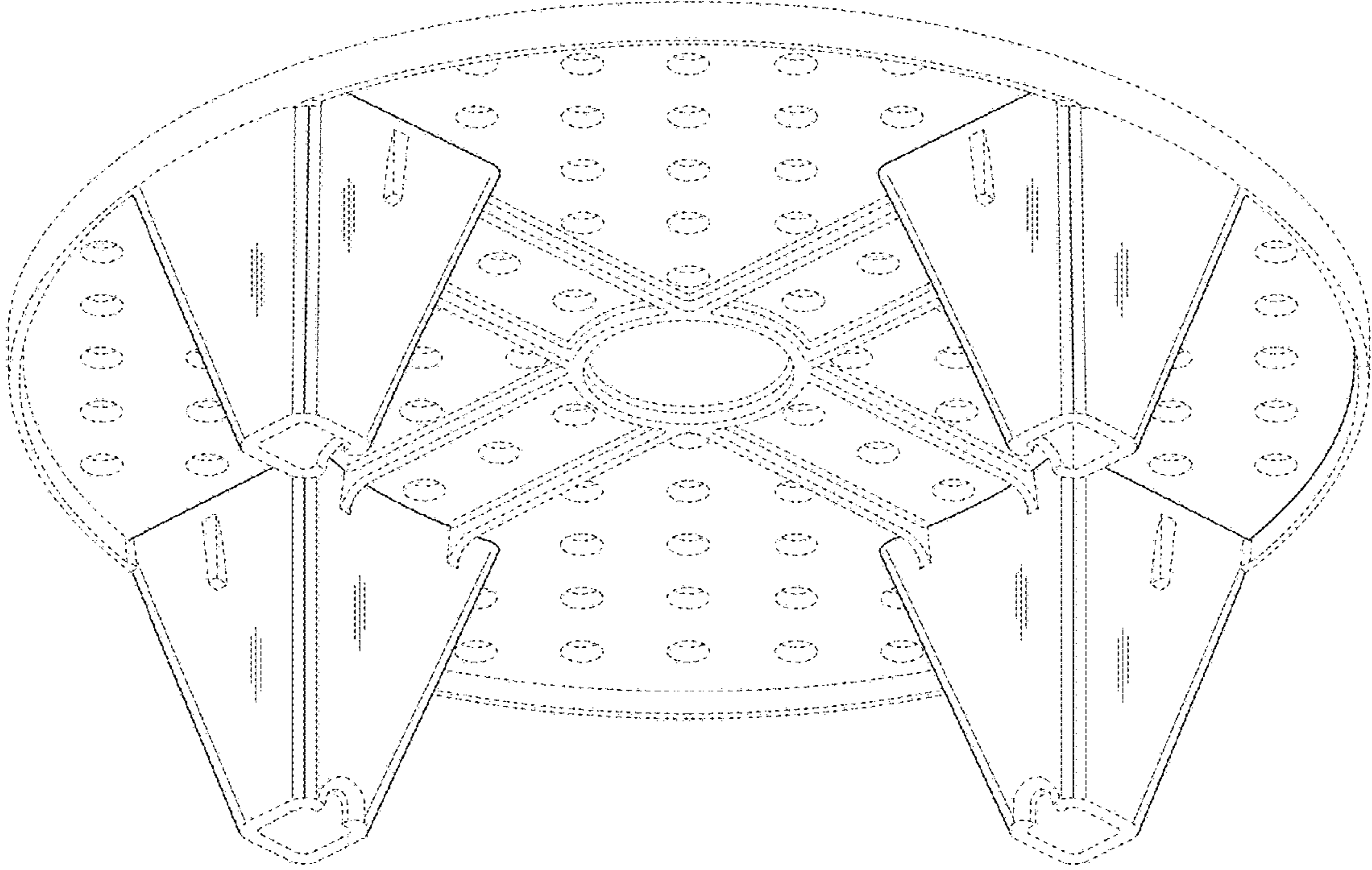


Fig. 2

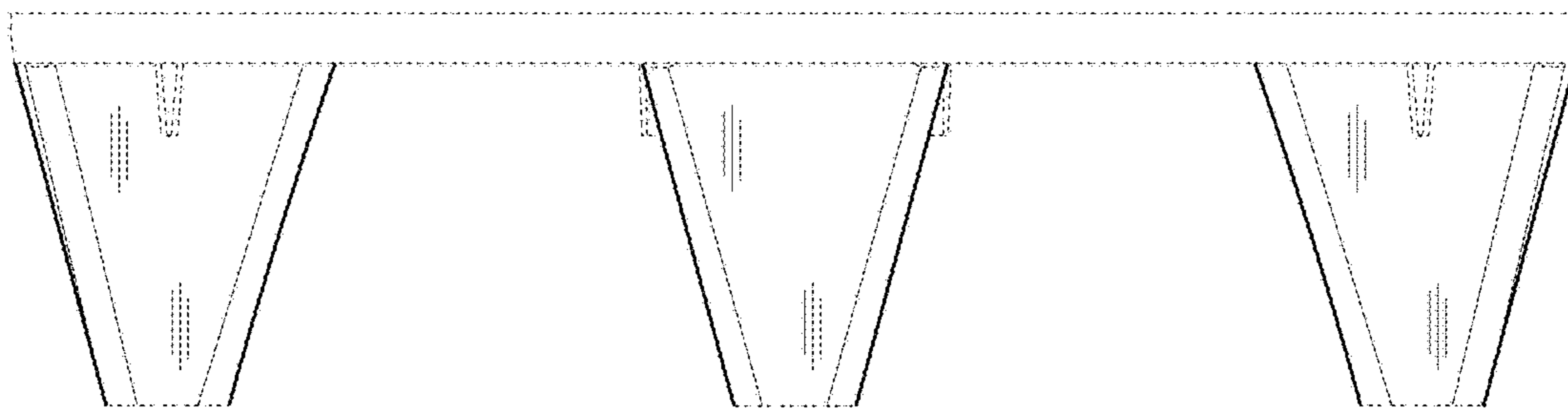


Fig. 3

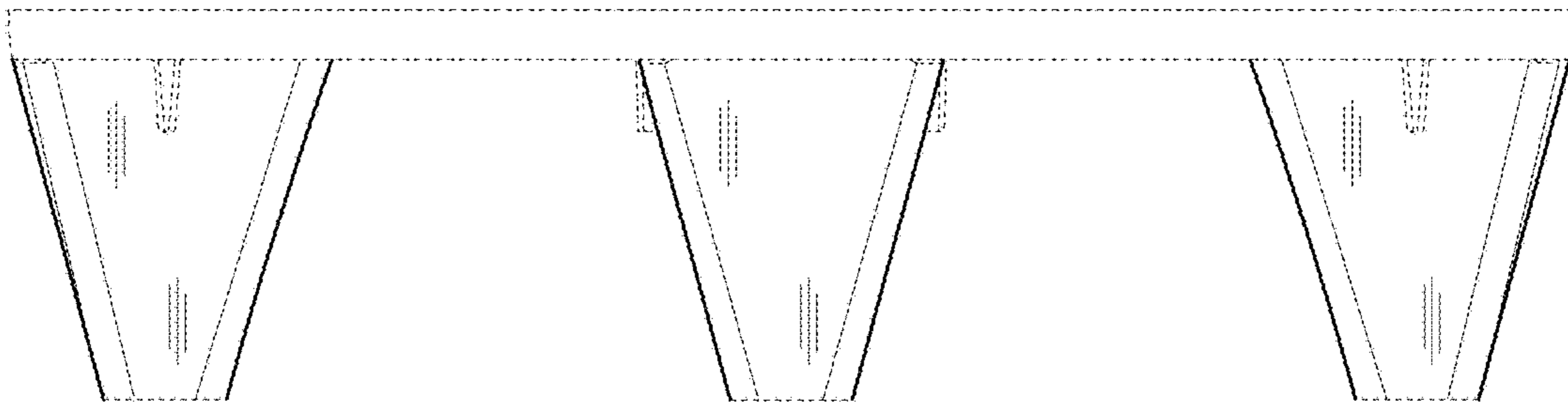


Fig. 4



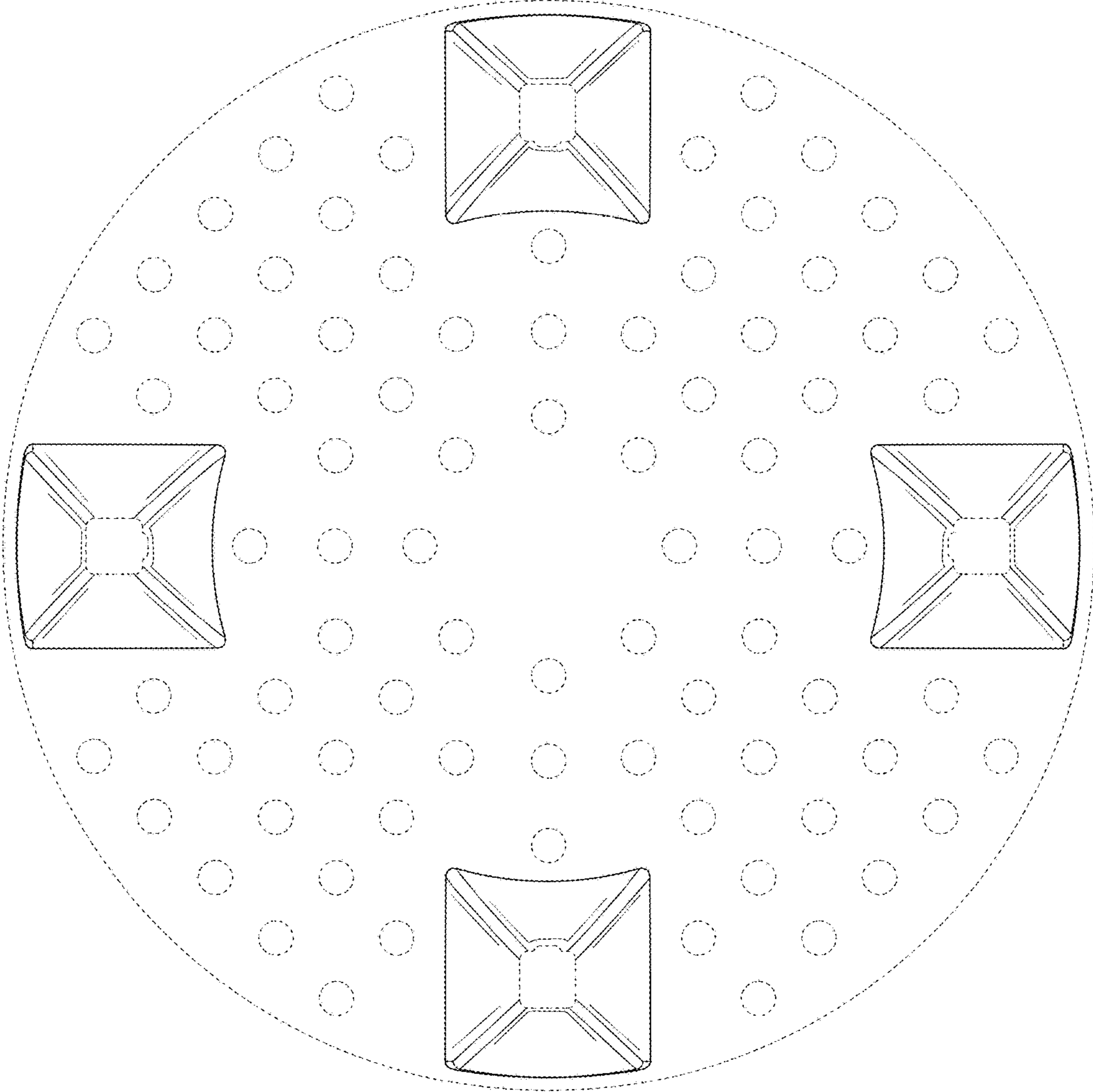


Fig. 5

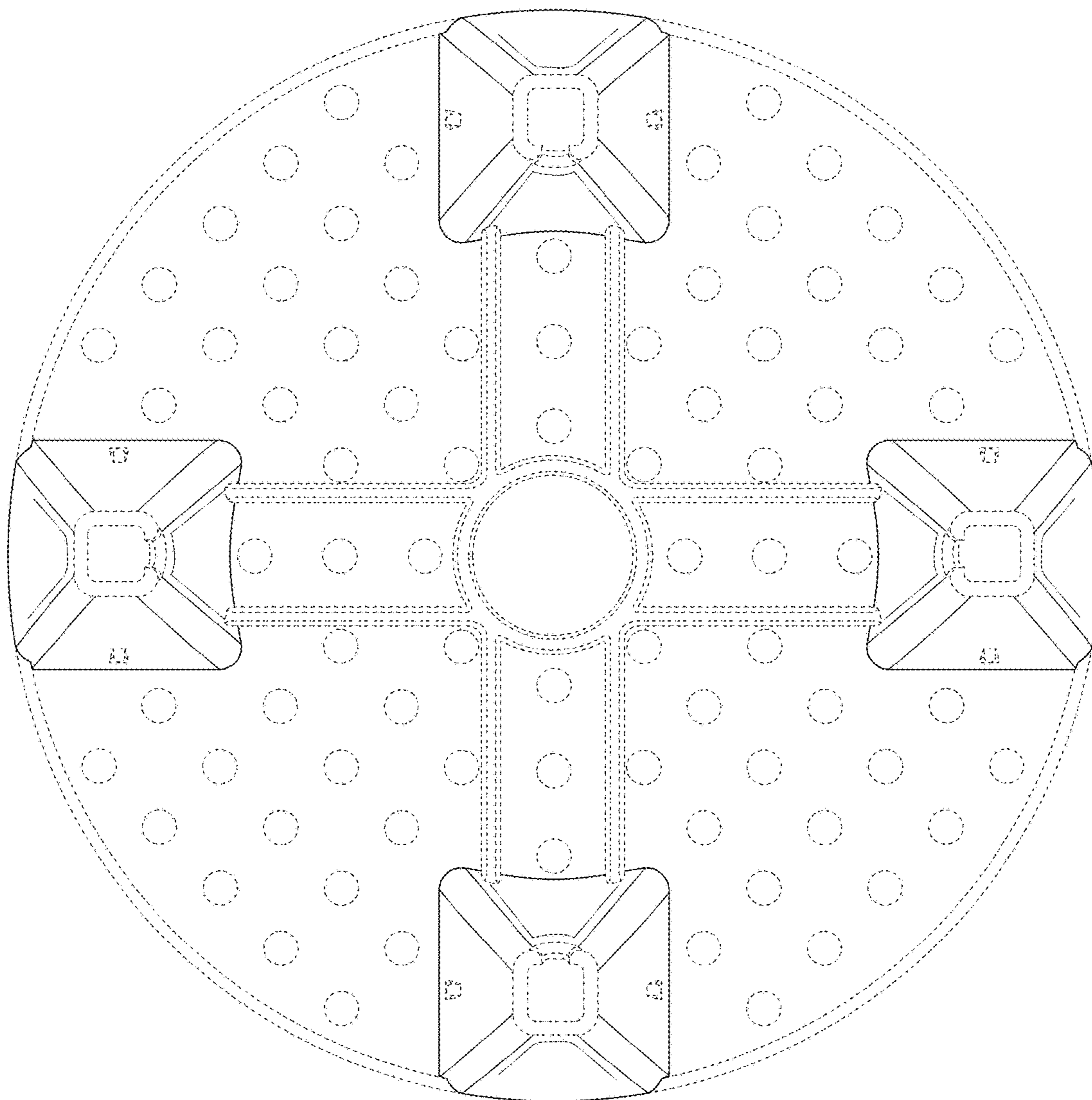


Fig. 6