



US00D789108S

(12) **United States Design Patent**  
**Marovič**

(10) **Patent No.:** **US D789,108 S**

(45) **Date of Patent:** **\*\* Jun. 13, 2017**

(54) **SEAT COOLER**

2006/0285286 A1\* 12/2006 Littlejohn ..... B60R 11/0252  
361/679.02

(71) Applicant: **Gorazd Marovič**, Ptuj (SI)

\* cited by examiner

(72) Inventor: **Gorazd Marovič**, Ptuj (SI)

*Primary Examiner* — George D Kirschbaum

*Assistant Examiner* — Jennifer Watkins

(\*\*) Term: **14 Years**

(74) *Attorney, Agent, or Firm* — Robert Platt Bell

(21) Appl. No.: **29/502,345**

(57) **CLAIM**

The ornamental design for a seat cooler, as shown and described.

(22) Filed: **Sep. 15, 2014**

**DESCRIPTION**

(30) **Foreign Application Priority Data**

Apr. 1, 2014 (SI) ..... 201450027

(51) **LOC (10) Cl.** ..... **06-01**

(52) **U.S. Cl.**  
USPC ..... **D6/354**

(58) **Field of Classification Search**  
USPC ..... D6/354; D12/110, 126, 182, 186, 307  
CPC ..... B62J 1/00  
See application file for complete search history.

FIG. 1 is a front, right perspective view of a first embodiment of a seat cooler.

FIG. 2 is a bottom perspective view of a first embodiment of a seat cooler.

FIG. 3 is a top plan view of a first embodiment of a seat cooler.

FIG. 4 is a bottom plan view of a first embodiment of a seat cooler.

FIG. 5 is a left plan view of a first embodiment of a seat cooler.

FIG. 6 is a right plan view of a first embodiment of a seat cooler.

FIG. 7 is a front, right perspective view of a second embodiment of a seat cooler.

FIG. 8 is a bottom perspective view of a second embodiment of a seat cooler.

FIG. 9 is a top plan view of a second embodiment of a seat cooler.

FIG. 10 is a bottom plan view of a second embodiment of a seat cooler.

FIG. 11 is a left plan view of a second embodiment of a seat cooler; and,

FIG. 12 is a right plan view of a second embodiment of a seat cooler.

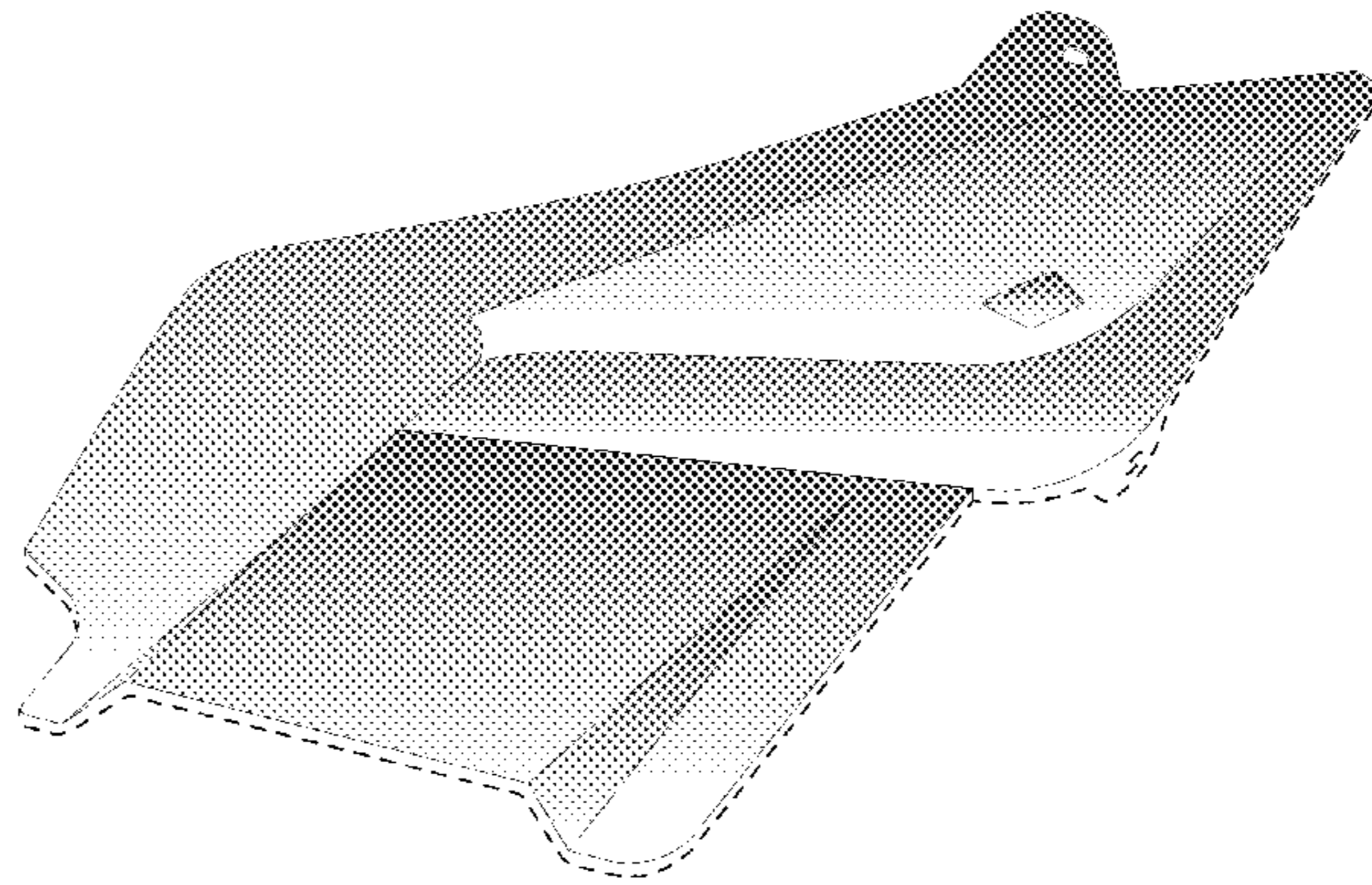
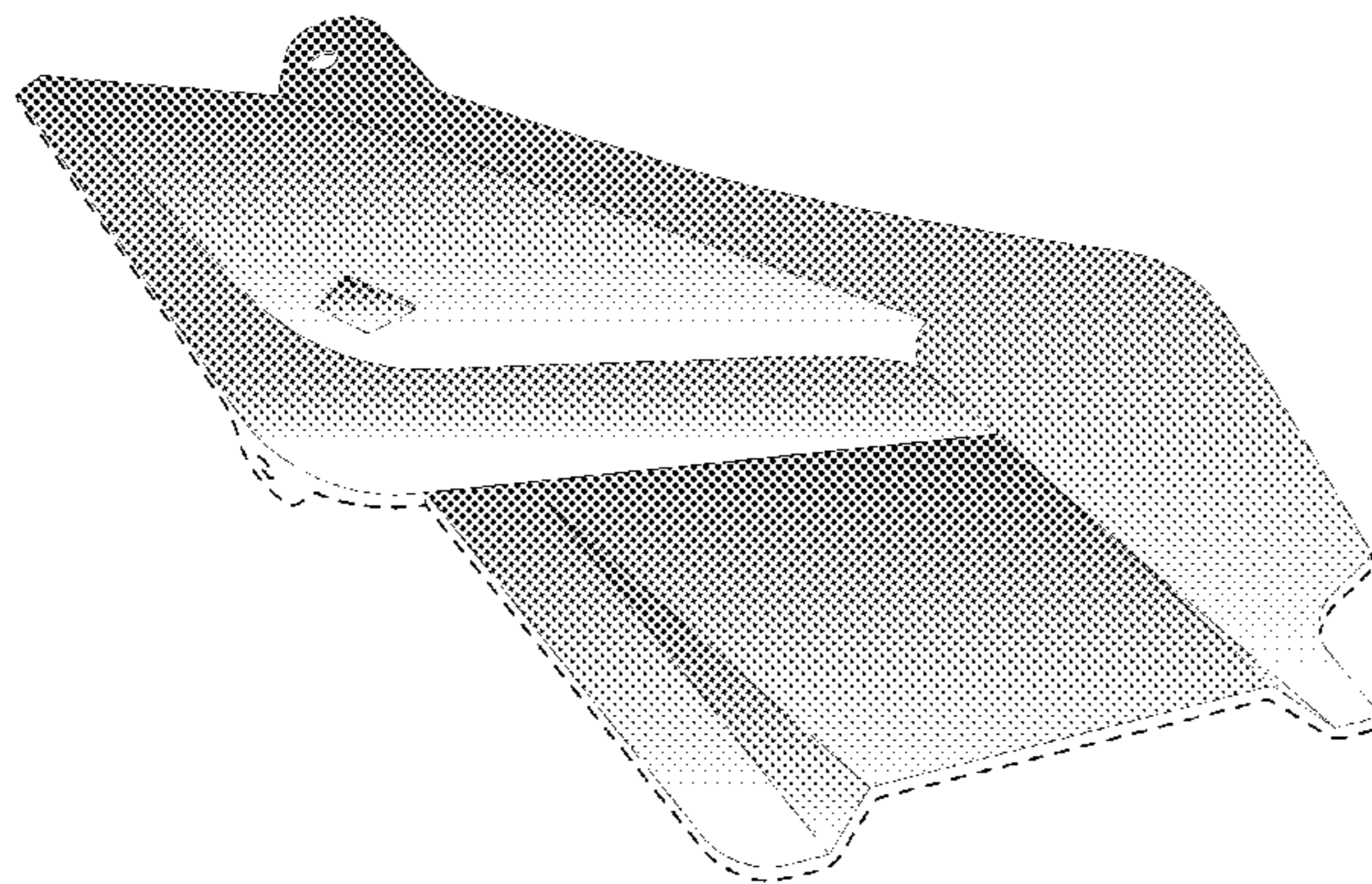
The broken lines showing the back of the seat cooler are for the purpose of illustrating portions of the seat cooler and form no part of the claim.

(56) **References Cited**

U.S. PATENT DOCUMENTS

D232,674 S *	9/1974	Scott	.....	D6/354
D234,103 S *	1/1975	Hanagan et al.	.....	D12/169
6,585,317 B1 *	7/2003	Atherley	.....	B60N 2/24
				180/219
D486,761 S *	2/2004	Meyers	.....	D12/126
D541,539 S *	5/2007	Basset	.....	D6/354
D557,188 S *	12/2007	Xu	.....	D12/186
D596,993 S *	7/2009	Matthies	.....	D12/110
D600,599 S *	9/2009	Watanabe	.....	D12/126
D688,886 S *	9/2013	Katagiri	.....	D12/126
D730,249 S *	5/2015	Ishiguri	.....	D12/110
D736,680 S *	8/2015	Nishimoto	.....	D12/126
2006/0081408 A1 *	4/2006	Hanagan	.....	B62J 1/28
				180/219

**1 Claim, 8 Drawing Sheets**



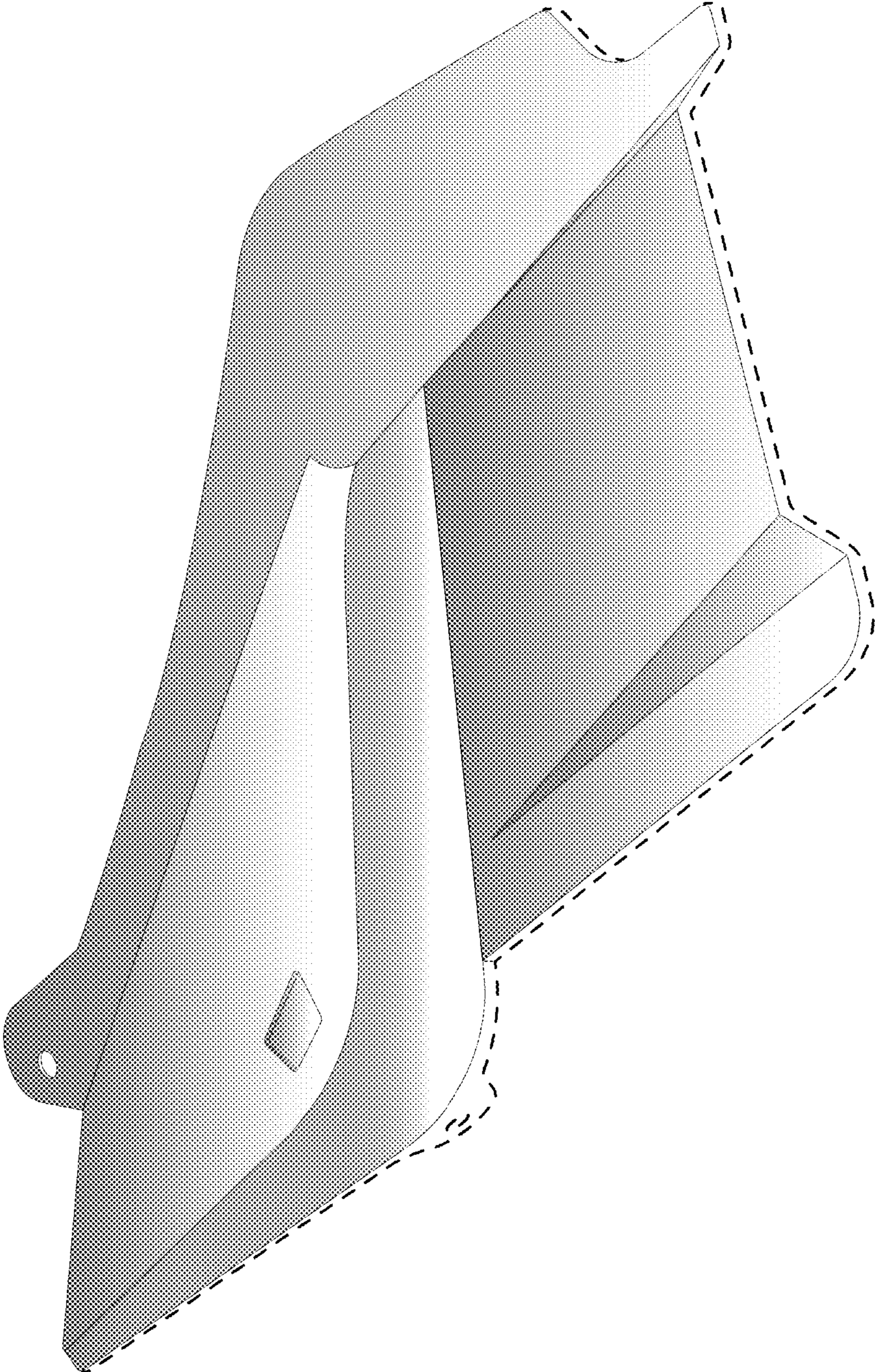


FIG.1

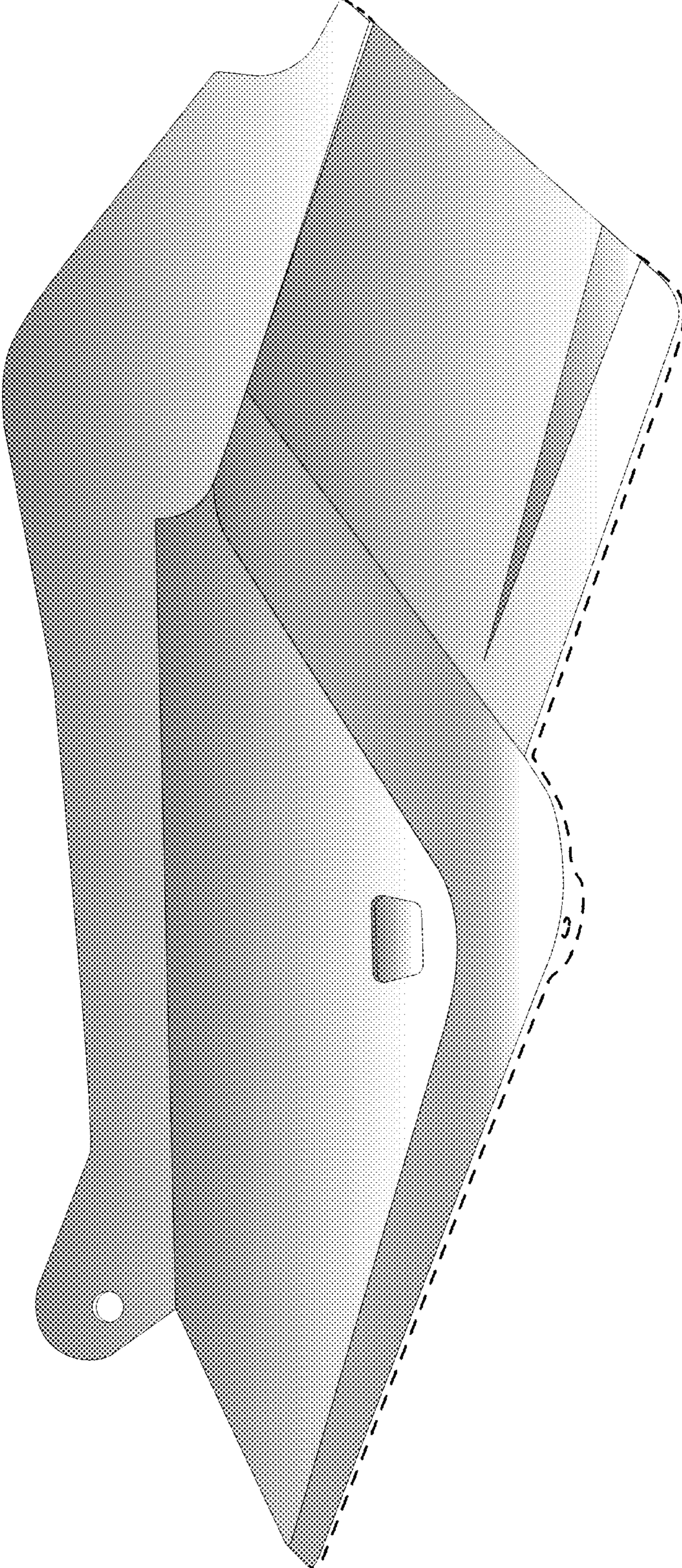


FIG.2

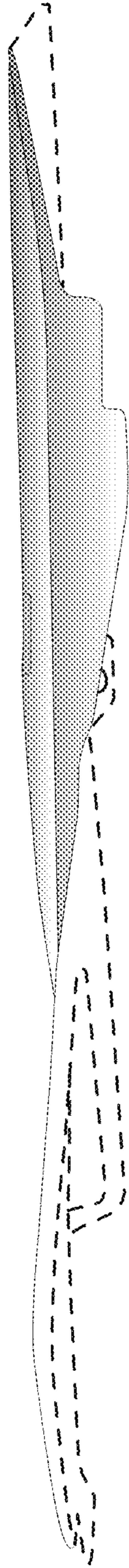


FIG.3

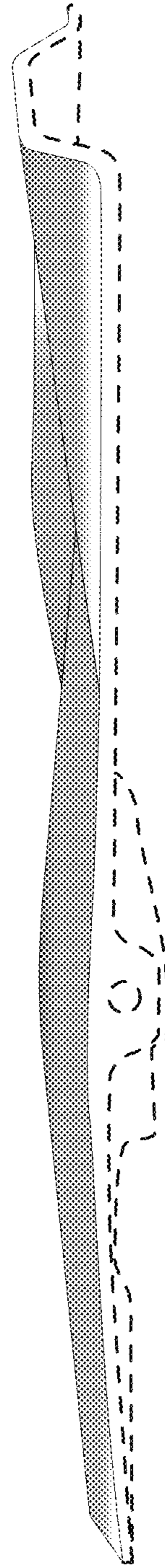


FIG.4

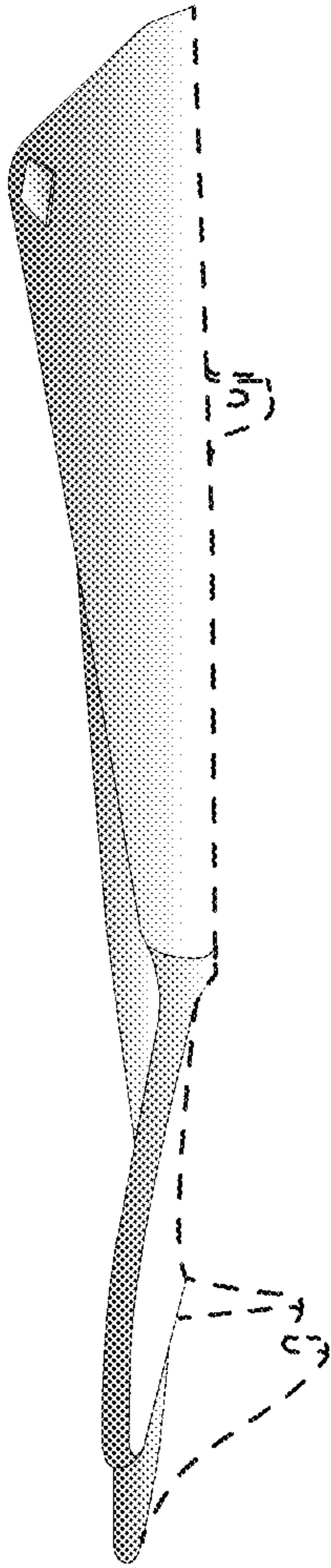


FIG. 5

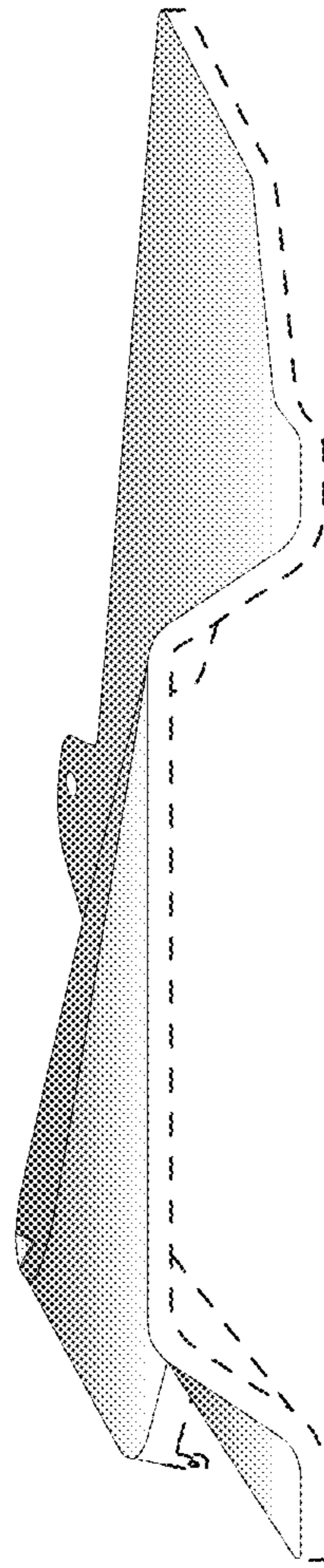


FIG. 6

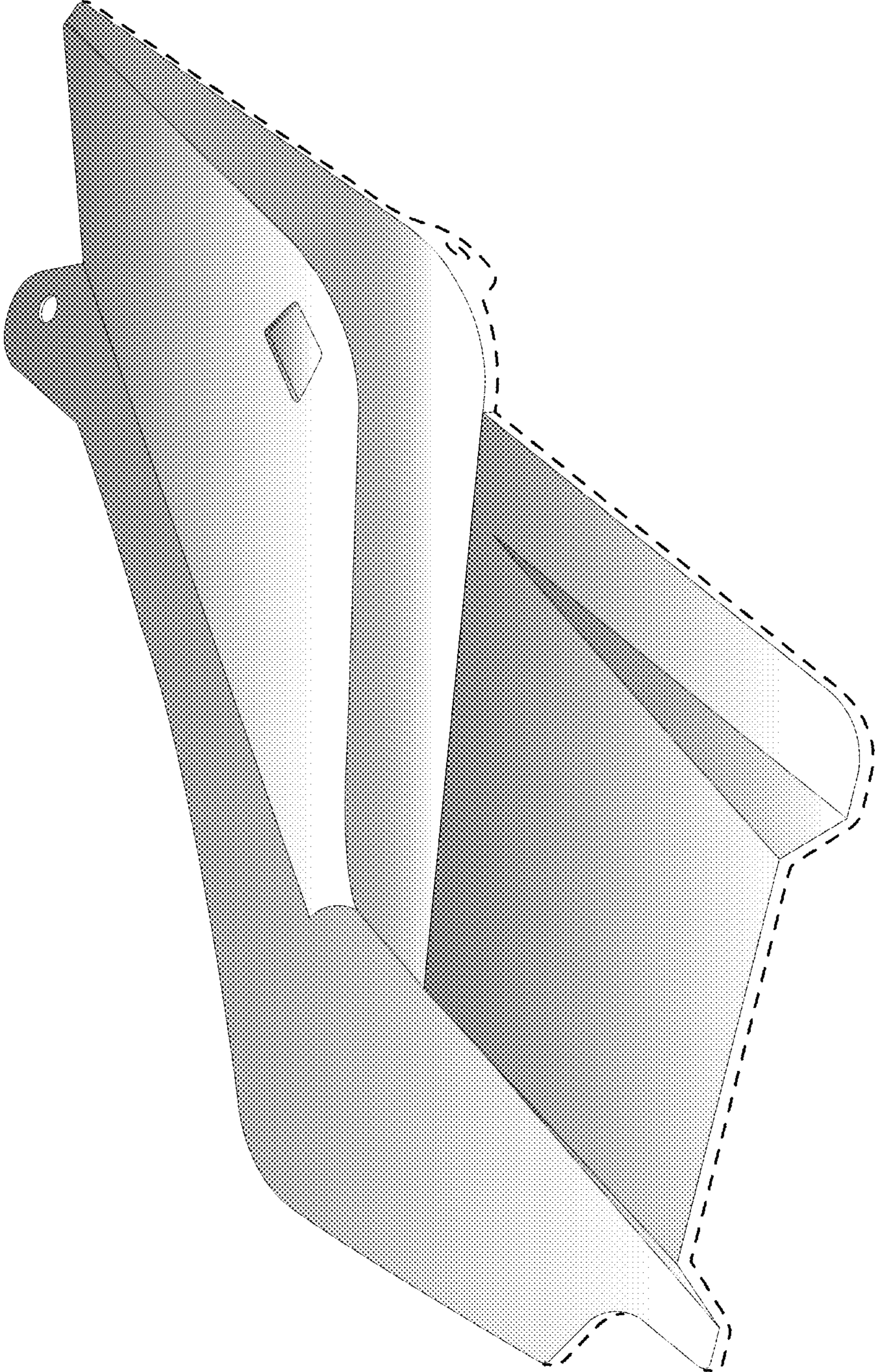


FIG.7

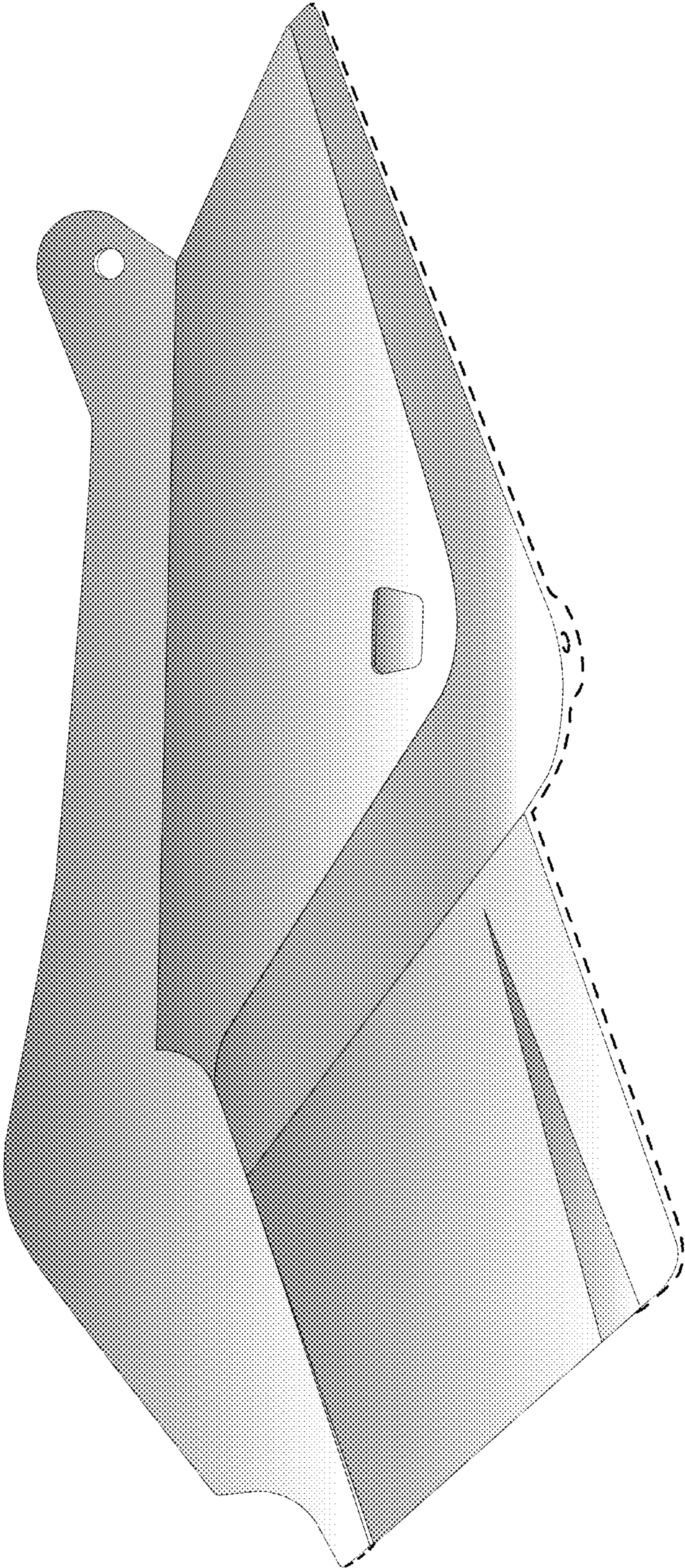


FIG.8

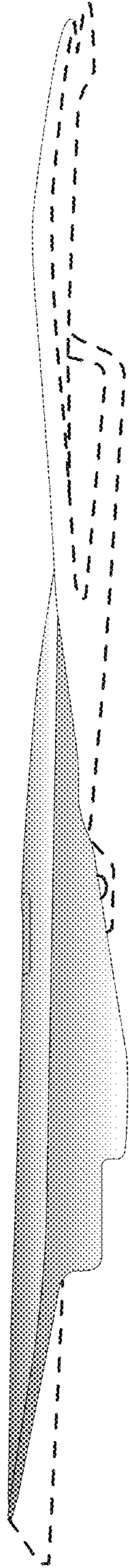


FIG. 9

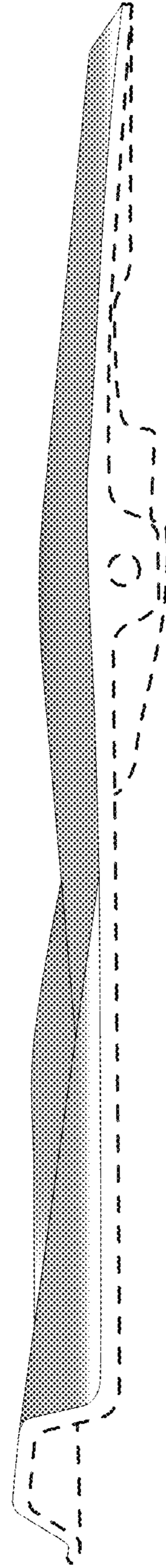


FIG. 10



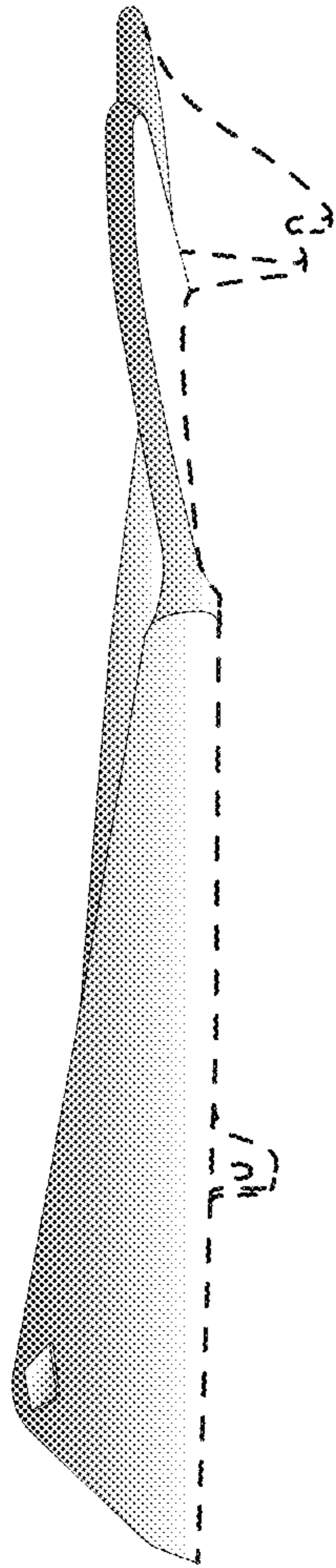


FIG.11

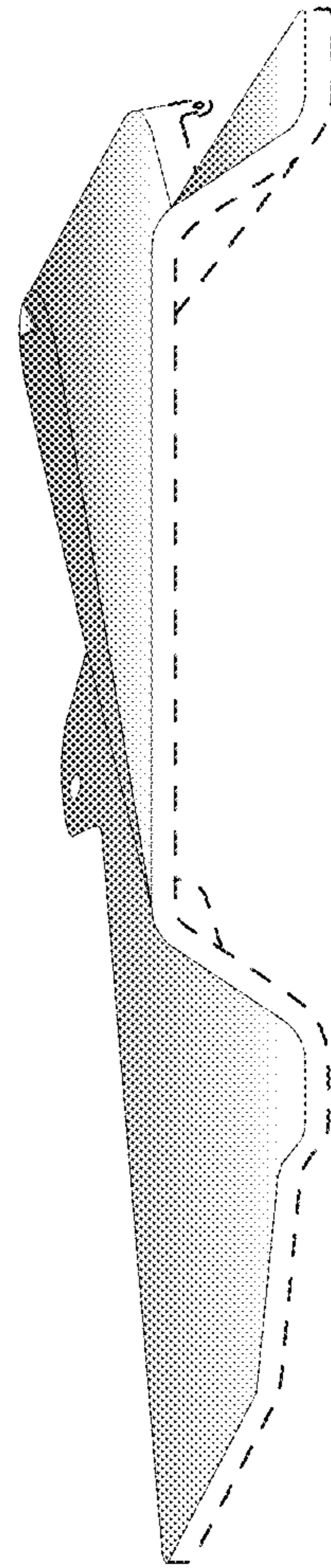


FIG.12