



US00D789107S

(12) **United States Design Patent**
Thibault

(10) **Patent No.:** **US D789,107 S**

(45) **Date of Patent:** **** Jun. 13, 2017**

(54) **STEP STOOL**

(71) Applicant: **SKERPA DESIGN INC.**, Montreal (CA)

(72) Inventor: **Daniel Thibault**, Montreal (CA)

(73) Assignee: **SOLUTIONS ALTIPLATO INC.**, Montreal, QC (CA)

(**) Term: **15 Years**

(21) Appl. No.: **29/563,624**

(22) Filed: **May 6, 2016**

(30) **Foreign Application Priority Data**

Nov. 6, 2015 (CA) 165293

(51) **LOC (10) Cl.** **06-01**

(52) **U.S. Cl.**
USPC **D6/350; D25/65**

(58) **Field of Classification Search**
USPC D6/334, 349-355, 363, 360, 368, 374,
D6/403, 405, 685, 688.17, 693-693.3,
D6/695, 708, 708.15-708.25, 709.11;
D25/62-65

CPC A47C 9/00-9/105; A47C 7/00-7/02; A47C
16/00-16/04; A47B 7/00-7/02; A47B
3/00; A47B 3/02; A47B 3/04; A47B 3/12

See application file for complete search history.

(56) **References Cited**

U.S. PATENT DOCUMENTS

D198,679 S * 7/1964 Cartner D25/65
3,271,075 A * 9/1966 Good A47C 16/02
108/129

D206,379 S 12/1966 Good
D221,072 S 7/1971 Arenhold
D225,818 S 1/1973 Torrey
D273,252 S * 4/1984 Markson D6/353

D307,800 S * 5/1990 Hradisky D25/65
D311,282 S 10/1990 Tooley
D320,702 S * 10/1991 Dewing D6/349
D347,666 S 6/1994 Hand
D349,540 S 8/1994 Hand et al.
D351,476 S * 10/1994 Grosfillex D25/63
D354,210 S * 1/1995 Dickinson D25/63
D376,923 S * 12/1996 Jones D6/349
6,568,506 B1 5/2003 Donnalley
D563,685 S * 3/2008 Adams D6/350
D567,395 S 4/2008 Bishop et al.
D586,572 S 2/2009 Collette
D600,928 S 9/2009 Rake

(Continued)

OTHER PUBLICATIONS

Altiplato 4663BJ—Solutions Altiplato inc. [online] Retrieved Apr. 14, 2017 from URL: <<https://www.altiplato.com/boutique/en/accueil/8altiplato4663bn.html>>.*

(Continued)

Primary Examiner — Vy Koenig

(74) *Attorney, Agent, or Firm* — Norton Rose Fulbright Canada LLP

(57) **CLAIM**

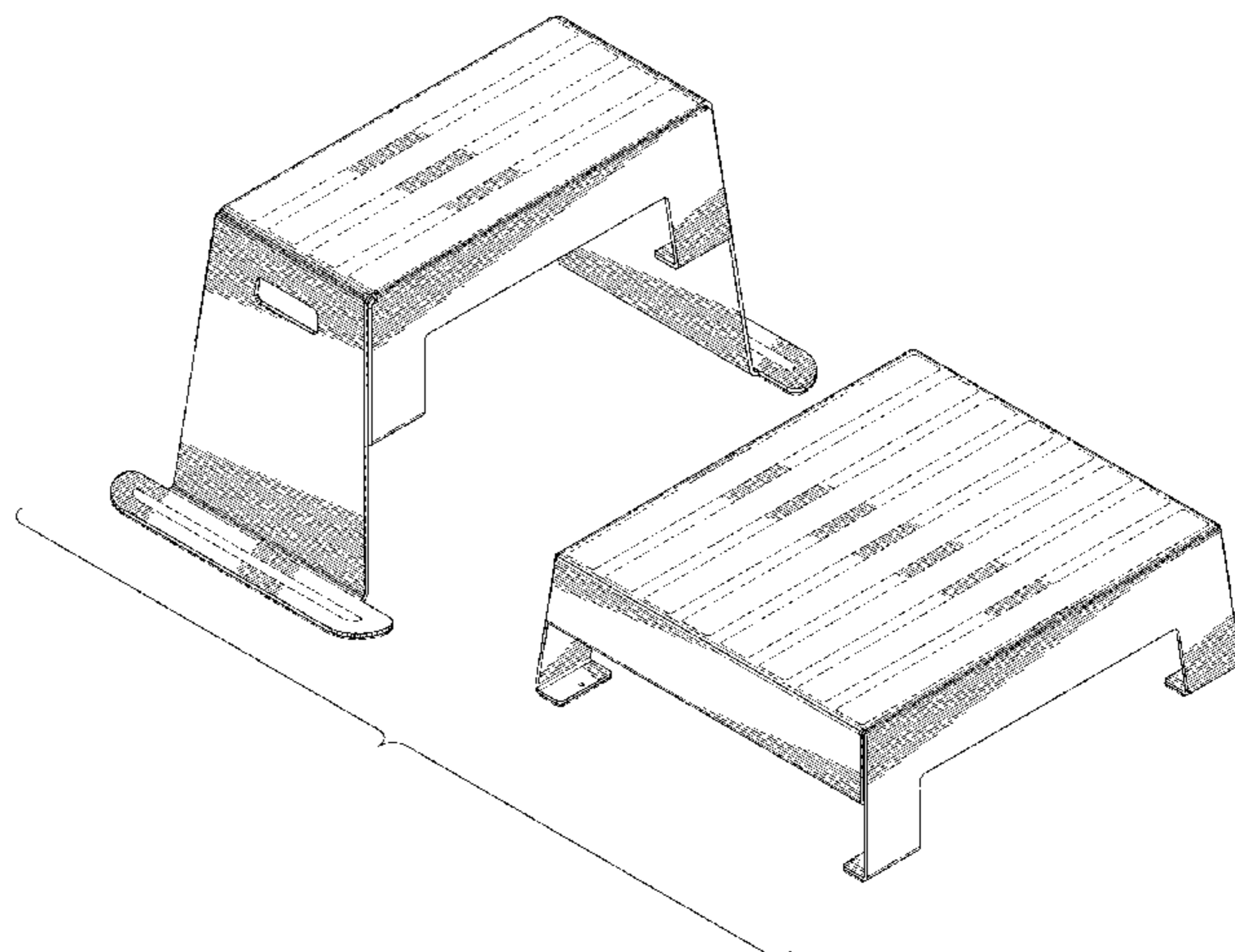
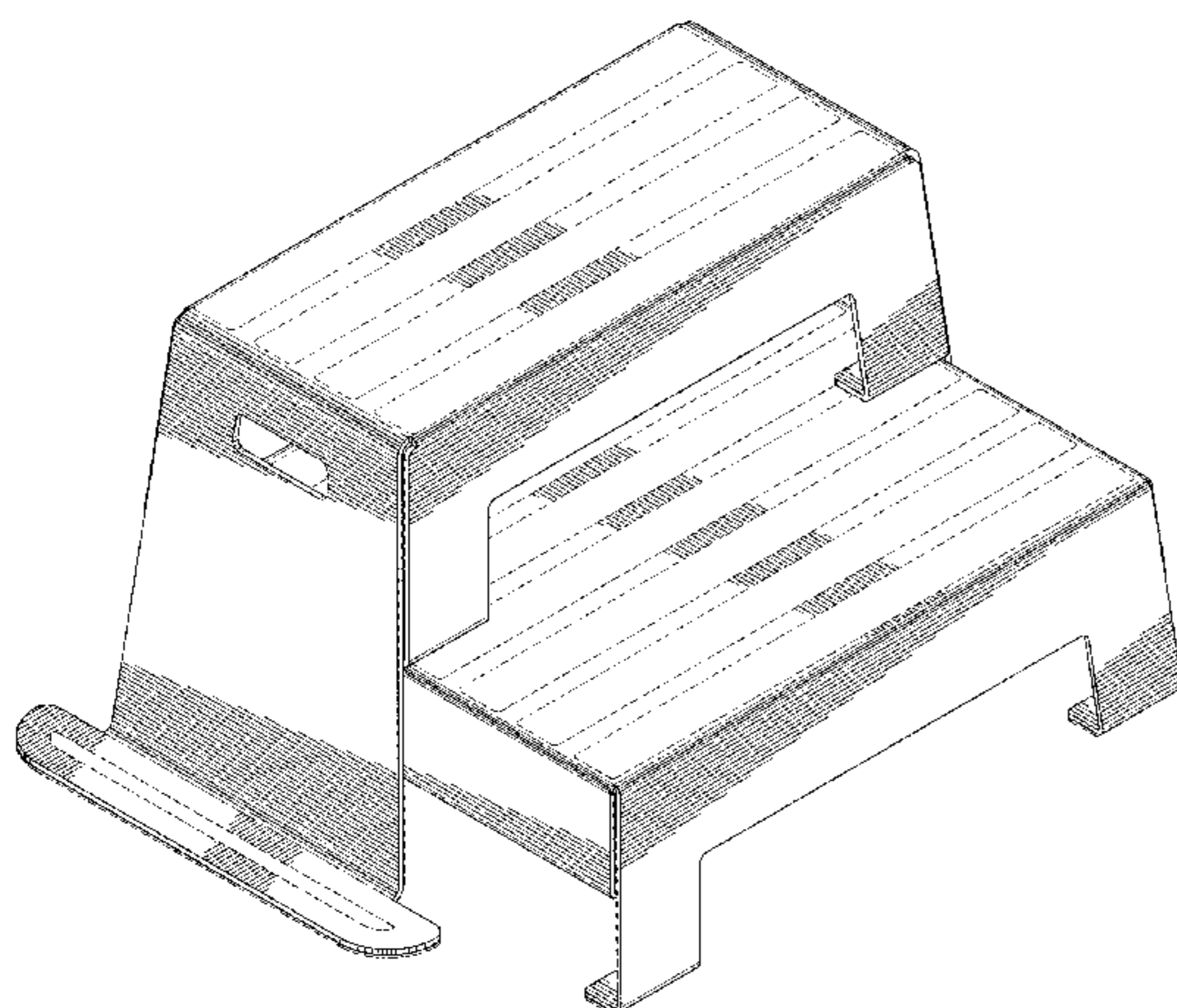
The ornamental design for a step stool, as shown and described.

DESCRIPTION

FIG. 1 is a perspective view of the step stool;
FIG. 2 is a front view of the step stool;
FIG. 3 is a side view of the step stool;
FIG. 4 is a top view of the step stool;
FIG. 5 is a bottom view of the step stool; and,
FIG. 6 is a perspective view of the step stool shown in a second position.

The portions of the step stool shown in broken lines form no part of the claimed design.

1 Claim, 6 Drawing Sheets



(56)

References Cited

U.S. PATENT DOCUMENTS

D600,929 S 9/2009 Kemnitzer
D628,247 S 11/2010 de Boers et al.
D652,651 S 1/2012 Wittenberg et al.
D653,043 S * 1/2012 Rumley D6/338
8,181,739 B2 * 5/2012 Genova E04F 11/00
182/151
D663,492 S 7/2012 Haaf et al.
8,465,100 B2 * 6/2013 Kim A47C 16/025
297/423.41
D745,286 S 12/2015 Thibault
2005/0236351 A1 * 10/2005 Curatolo E04F 11/108
211/186

OTHER PUBLICATIONS

Medical aluminum step stool. Mazzamorphos 2015. [online]
Retrieved Aug. 5, 2015 from URL: <<http://www.skerpadesign.com/ourworks/>>.

* cited by examiner

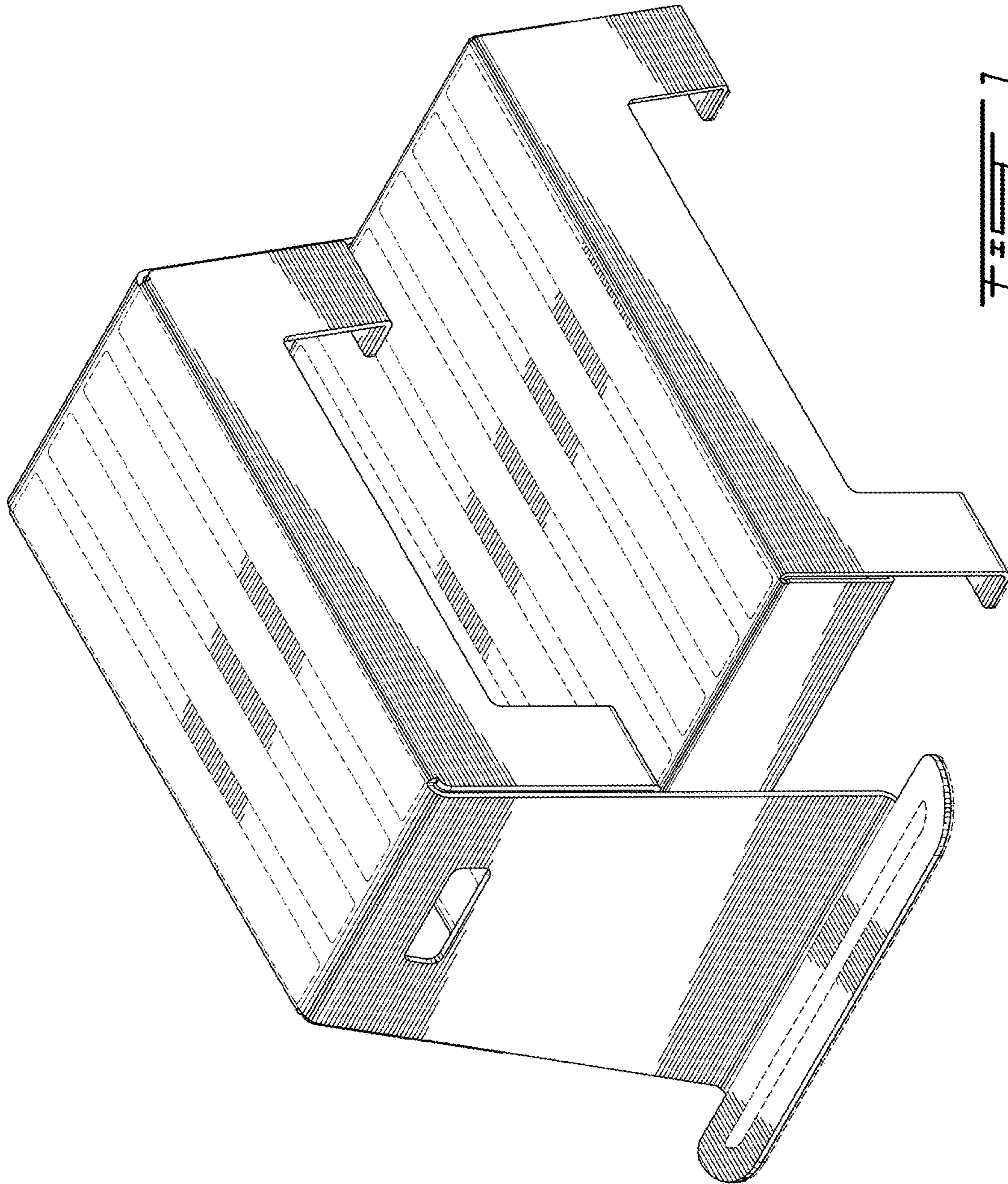


FIG. 1

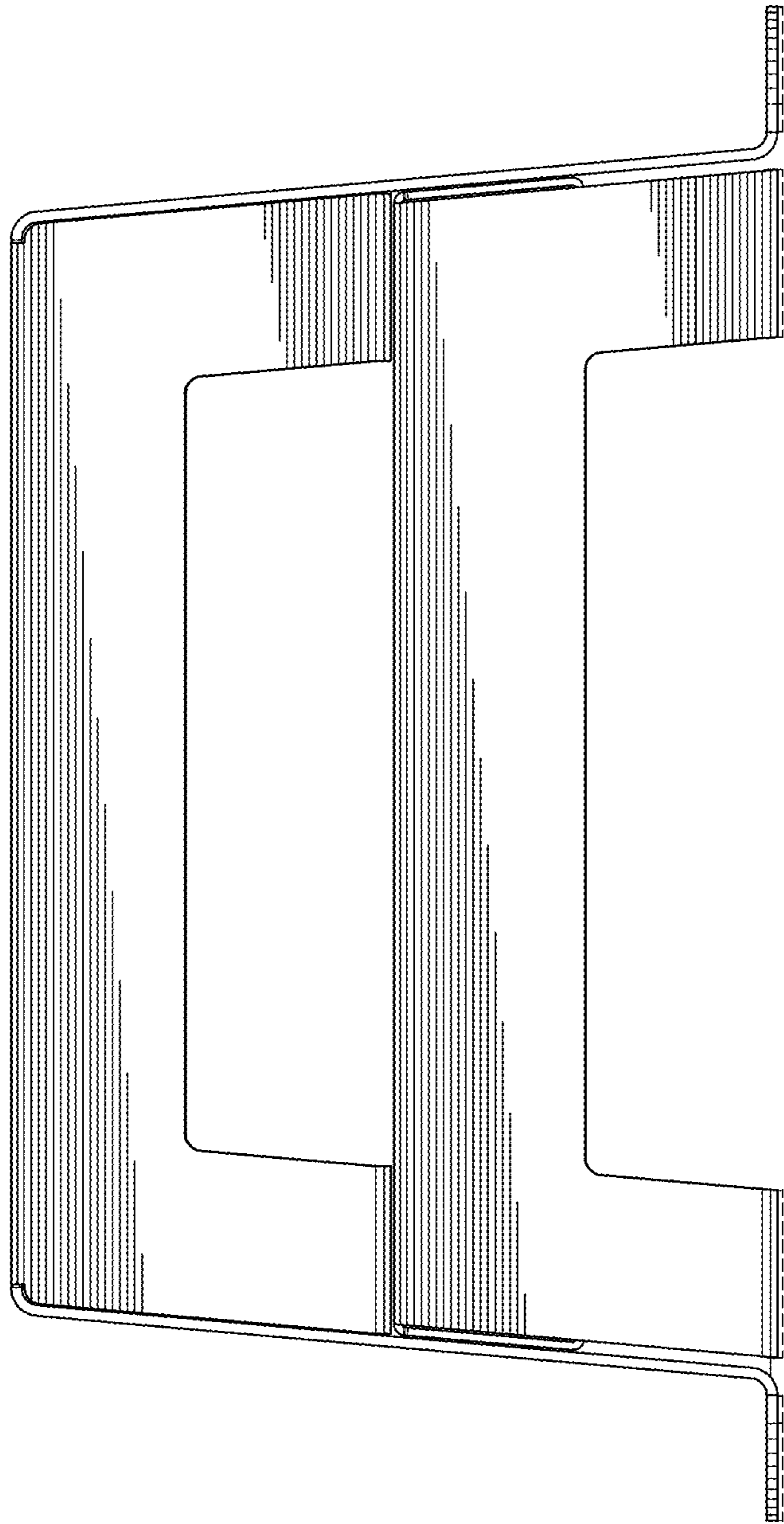


FIG. 2

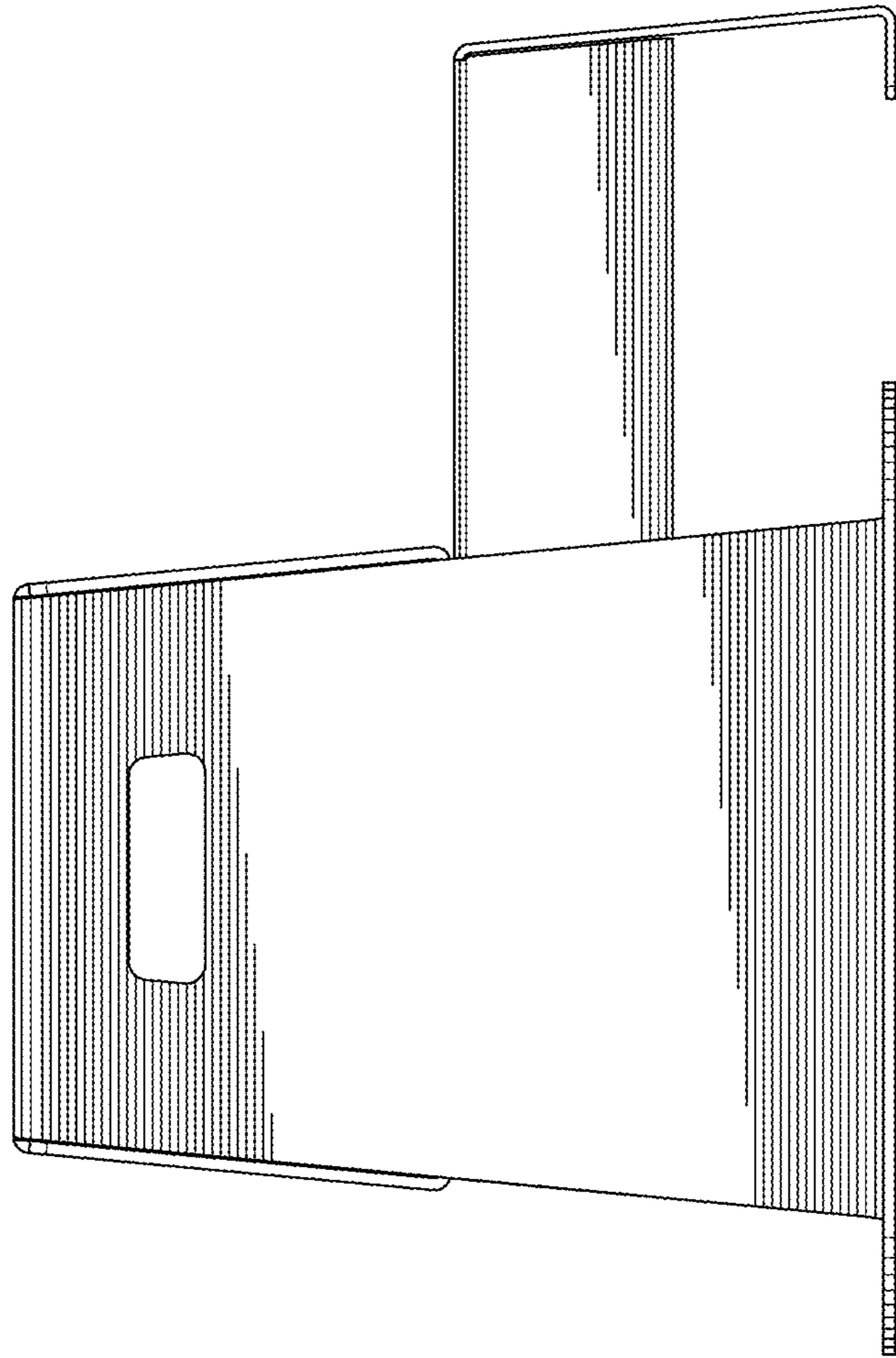


FIG. 3

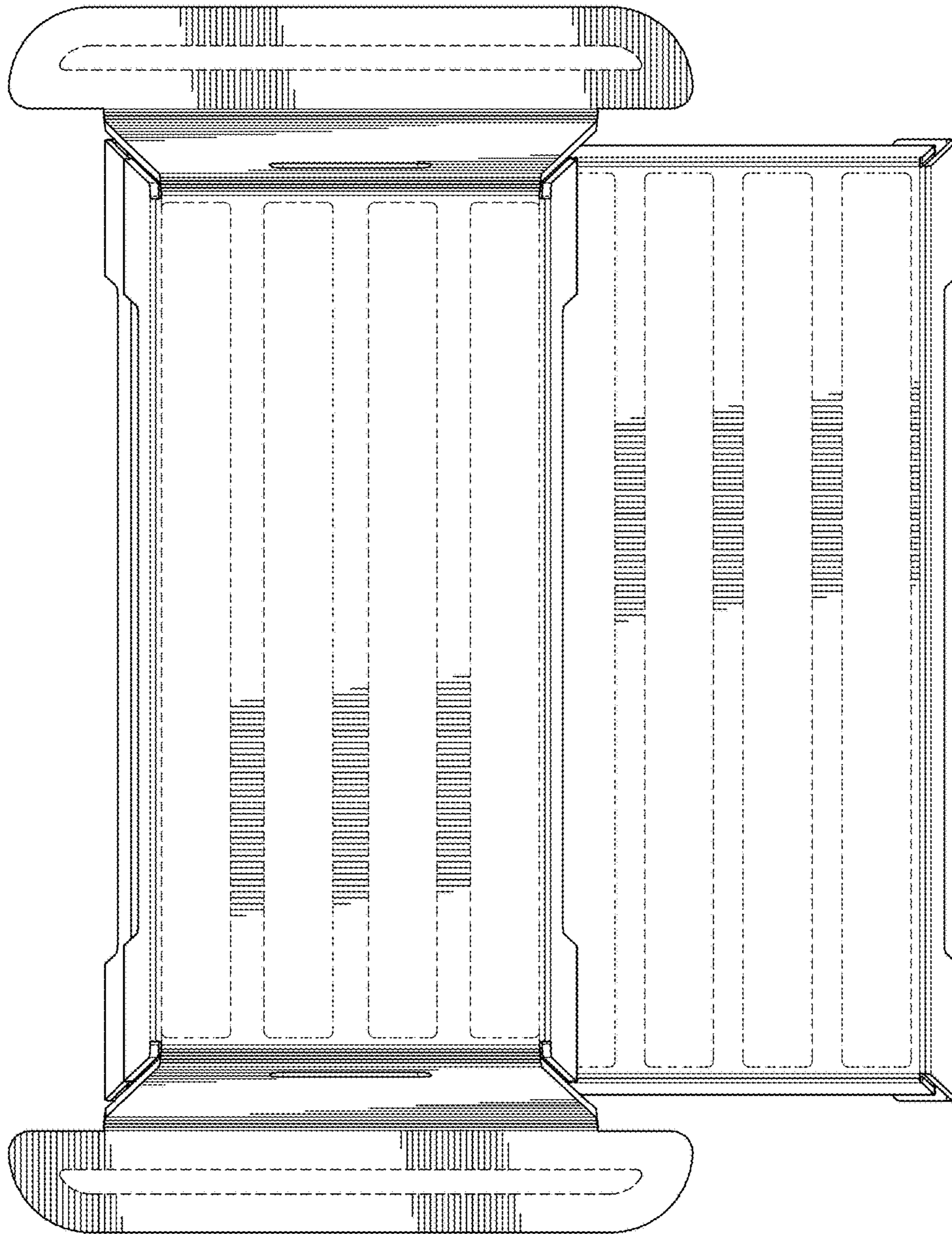


FIG. 4

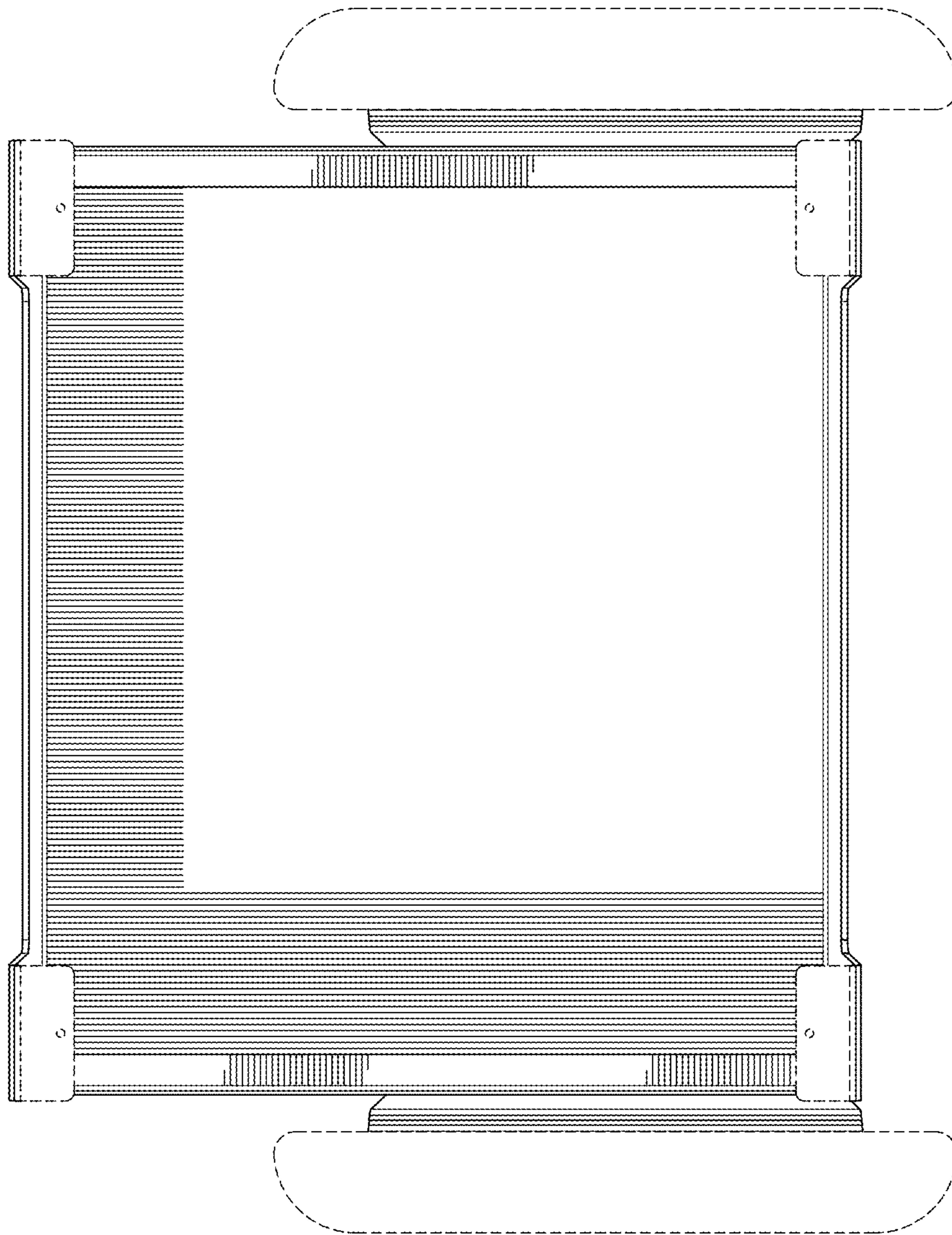


FIG. 5

