



US00D789106S

(12) **United States Design Patent** (10) **Patent No.:** **US D789,106 S**  
**Roberts** (45) **Date of Patent:** **\*\* Jun. 13, 2017**

(54) **INFANT POSITIONER**  
(71) Applicant: **Mattel, Inc.**, El Segundo, CA (US)  
(72) Inventor: **Devin J. Roberts**, Lackawanna, NY (US)  
(73) Assignee: **Mattel, Inc.**, El Segundo, CA (US)  
(\*\*) Term: **14 Years**

D445,143 S \* 7/2001 Bellows ..... D12/130  
D450,634 S \* 11/2001 Yang ..... D12/129  
6,594,840 B2 7/2003 Tomas et al.  
D507,121 S 7/2005 Eyman et al.  
7,044,547 B2 5/2006 Sorrenti  
7,356,861 B1 4/2008 Pagano  
D587,764 S \* 3/2009 Cheng ..... D12/130  
D612,302 S \* 3/2010 Cheng ..... D12/133  
(Continued)

(21) Appl. No.: **29/510,278**  
(22) Filed: **Nov. 26, 2014**

**FOREIGN PATENT DOCUMENTS**

GB 846092 A 8/1960  
GB 2139881 A 11/1984  
(Continued)

**Related U.S. Application Data**

(63) Continuation-in-part of application No. 14/203,703, filed on Mar. 11, 2014.  
(51) **LOC (10) Cl.** ..... **06-01**  
(52) **U.S. Cl.**  
USPC ..... **D6/339**  
(58) **Field of Classification Search**  
USPC ..... D12/128-130; D6/333, 339, 364;  
D21/533-535, 476, 419, 426, 414;  
280/647, 642, 771, 7.1, 7.17, 87.041,  
280/87.05, 47.38, 250.1; 267/5;  
135/65-67; 224/409; 482/66, 69; 297/5,  
297/6, 213  
CPC .... A47D 13/043; A47D 13/107; A47D 13/04;  
B62B 7/12  
See application file for complete search history.

**OTHER PUBLICATIONS**

Combined Search and Examination Report Application GB1404242.8, Aug. 18, 2014.

*Primary Examiner* — Abraham Bahta  
(74) *Attorney, Agent, or Firm* — Edell, Shapiro & Finnan, LLC

(57) **CLAIM**

The ornamental design for an infant positioner, as shown and described.

**DESCRIPTION**

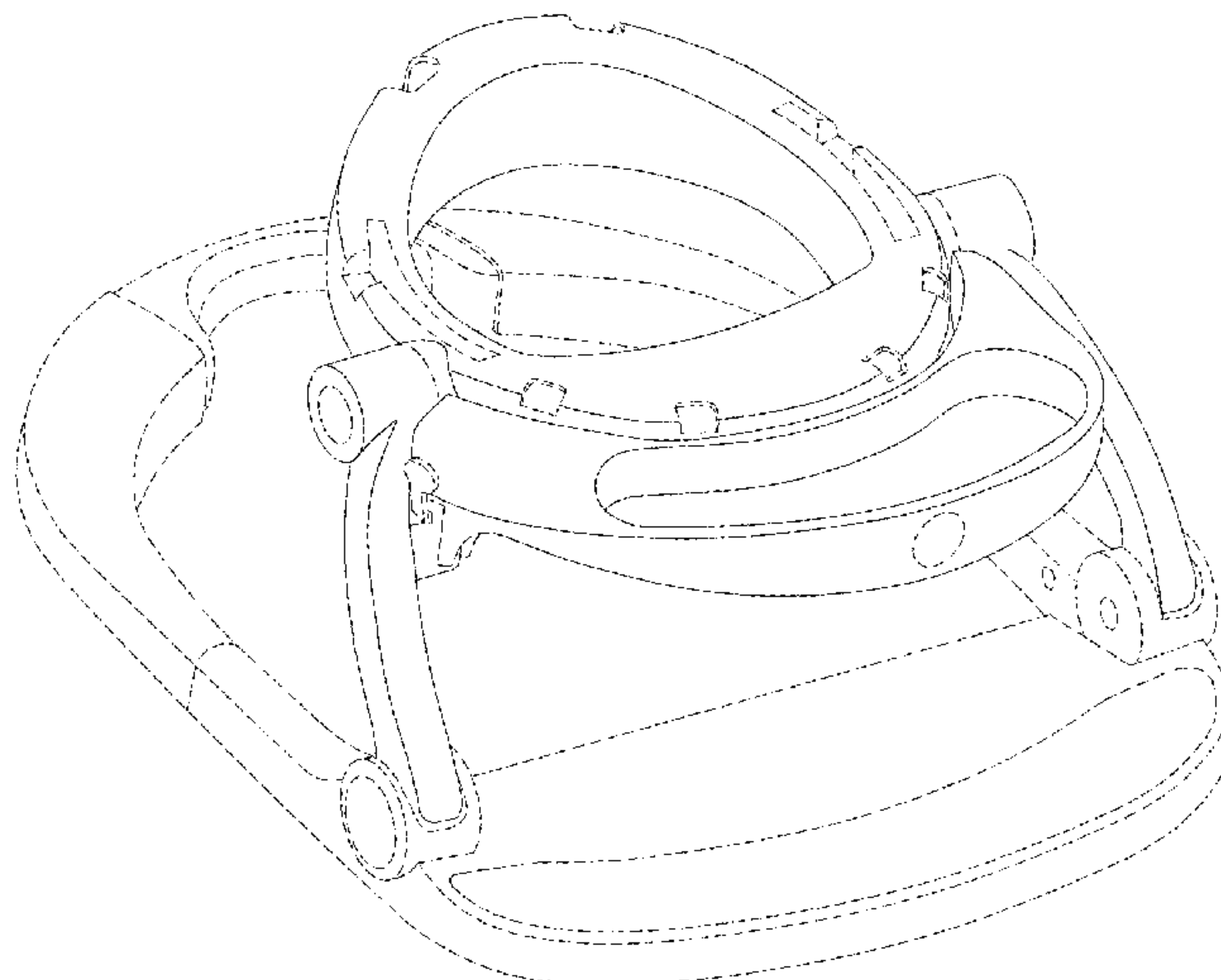
FIG. 1 is a top perspective view of an infant positioner showing my design;  
FIG. 2 is a front view thereof;  
FIG. 3 is a rear view thereof;  
FIG. 4 is a top view thereof;  
FIG. 5 is a bottom view thereof;  
FIG. 6 is a left side view thereof; and,  
FIG. 7 is a right side view thereof.  
The broken lines shown in the figures are included for the purpose of illustrating the unclaimed portions of the article and form no part of the claimed design.

(56) **References Cited**

**U.S. PATENT DOCUMENTS**

2,927,628 A 3/1960 Gill  
3,017,220 A 1/1962 Chernivsky  
D343,958 S 2/1994 Greenwood  
5,308,143 A 5/1994 Cheng et al.  
5,509,721 A 4/1996 Huang  
D375,283 S \* 11/1996 Lu ..... D12/130  
D402,931 S \* 12/1998 Huang ..... D12/130

**1 Claim, 7 Drawing Sheets**



(56)

**References Cited**

U.S. PATENT DOCUMENTS

D612,621 S 3/2010 Ekstrom  
D630,259 S \* 1/2011 Lu ..... D12/130  
8,070,617 B2 12/2011 Barron et al.  
8,079,639 B2 12/2011 Zeng et al.  
8,267,803 B2 9/2012 Trapp et al.  
D679,337 S \* 4/2013 Lai ..... D12/133  
8,439,765 B2 5/2013 Barron et al.  
8,567,867 B2 10/2013 Arnold, IV et al.  
D702,599 S \* 4/2014 Lu ..... D12/130  
D771,524 S \* 11/2016 Lu ..... D12/130  
2011/0012408 A1 1/2011 Lee et al.

FOREIGN PATENT DOCUMENTS

GB 2227930 A 8/1990  
GB 2507530 A 5/2014

\* cited by examiner

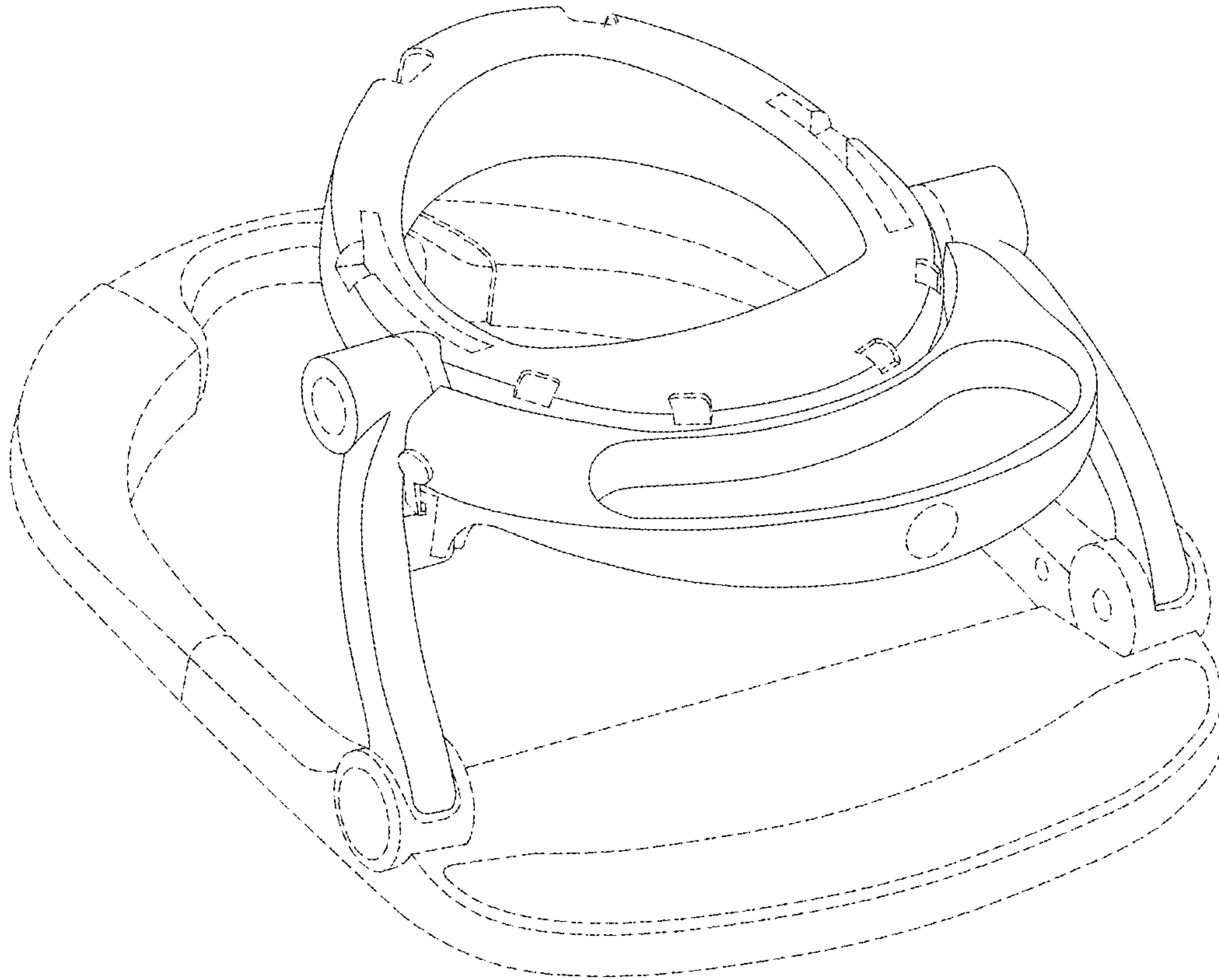


FIG.1

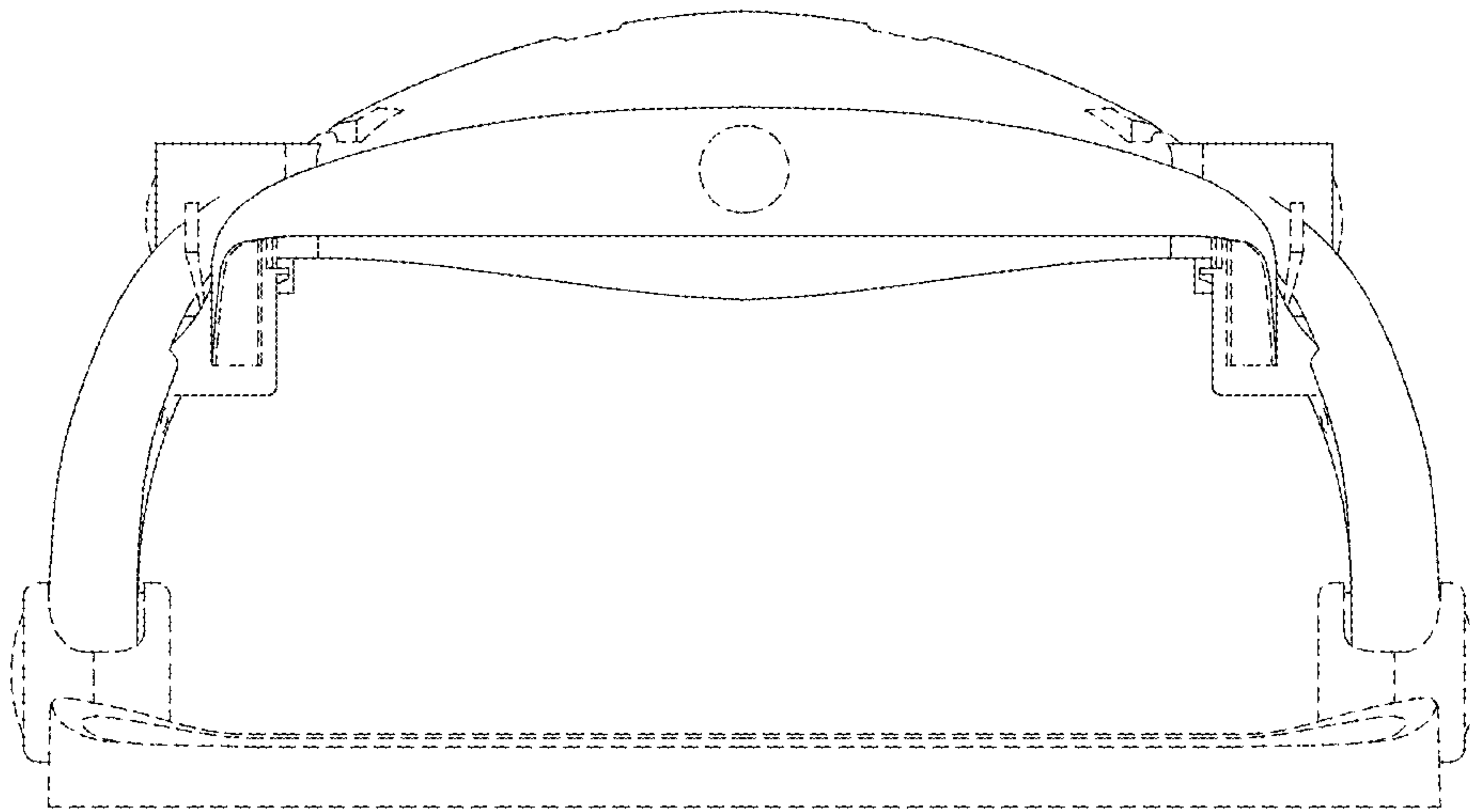


FIG.2

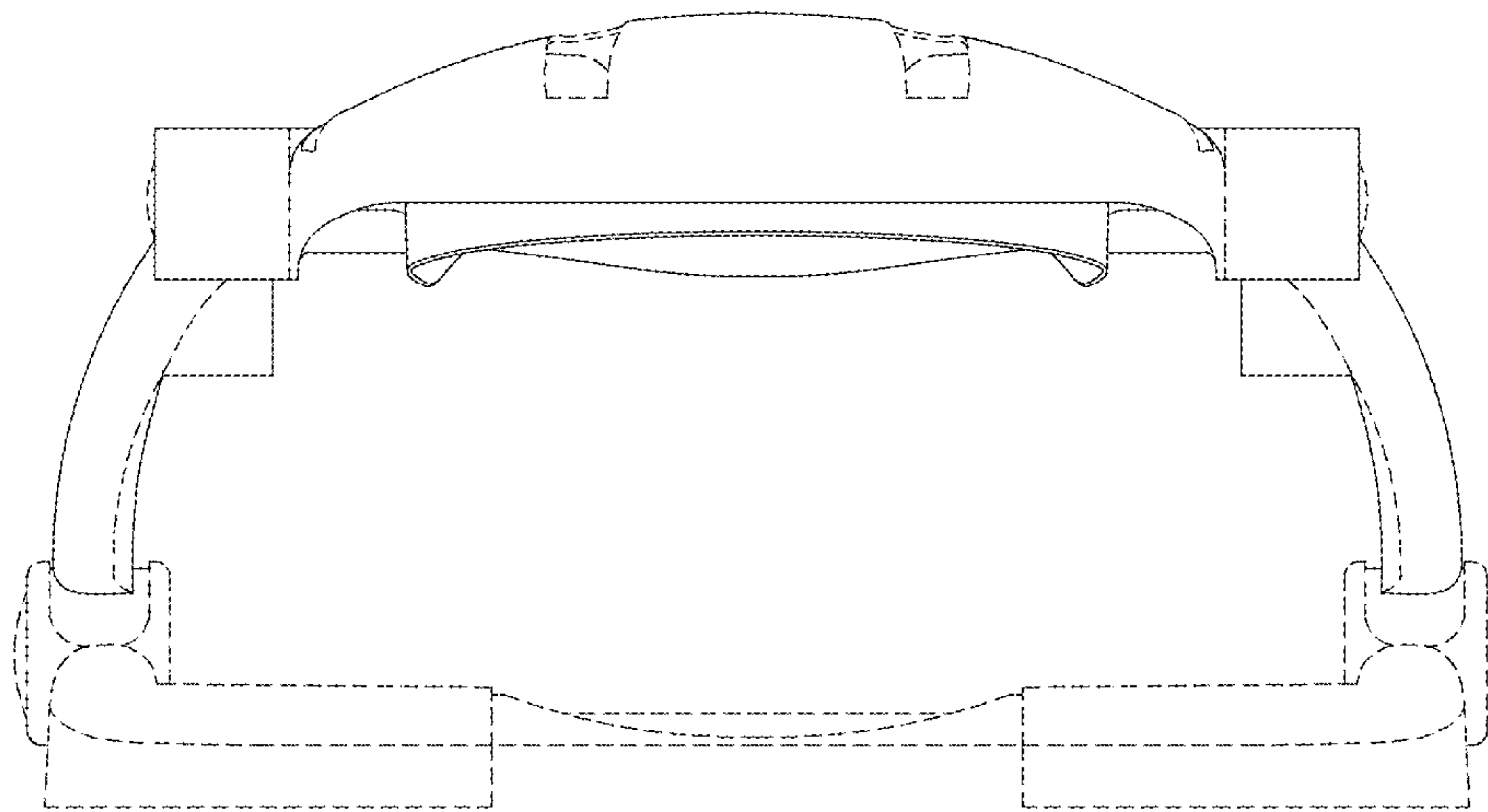


FIG.3

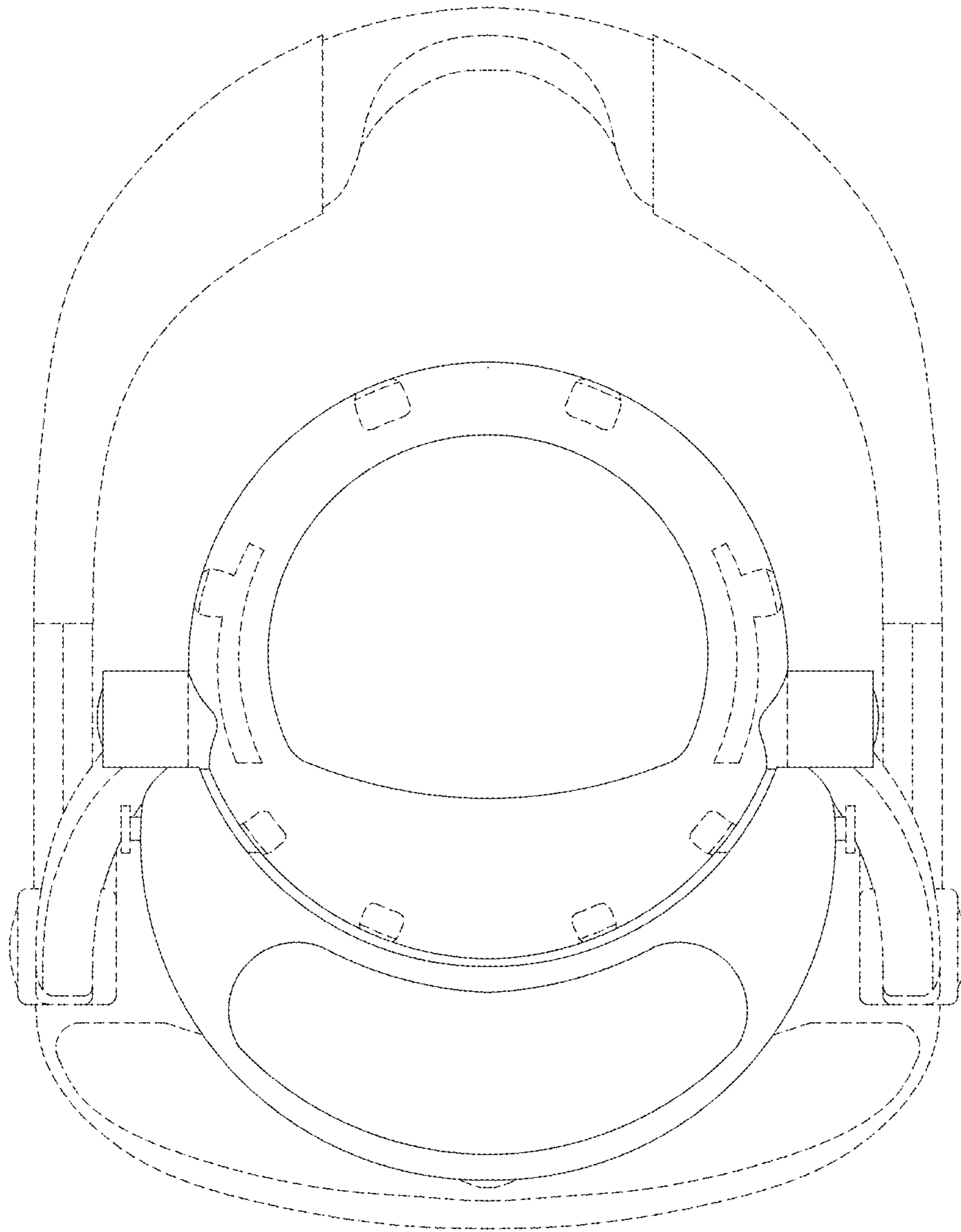


FIG.4



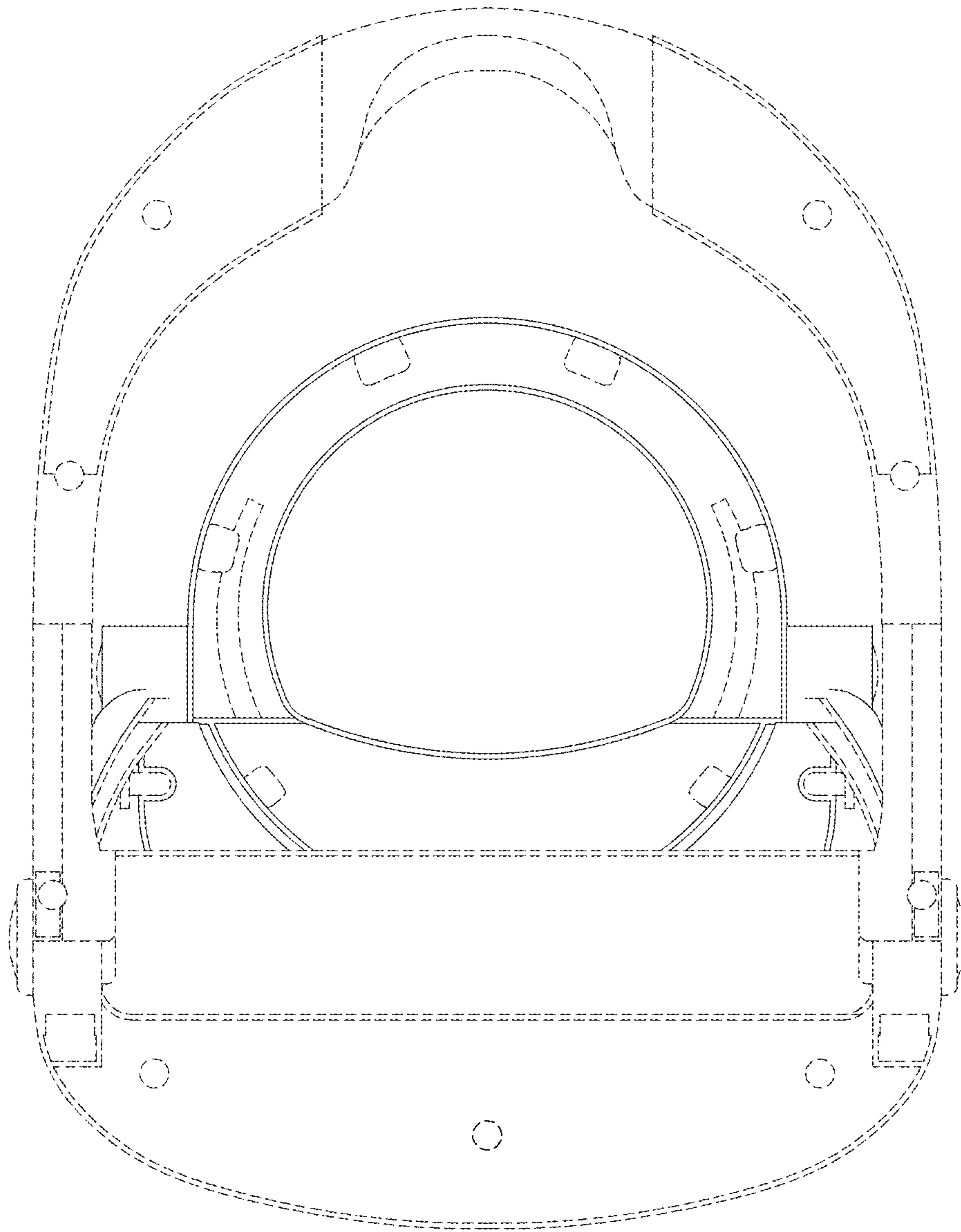


FIG.5

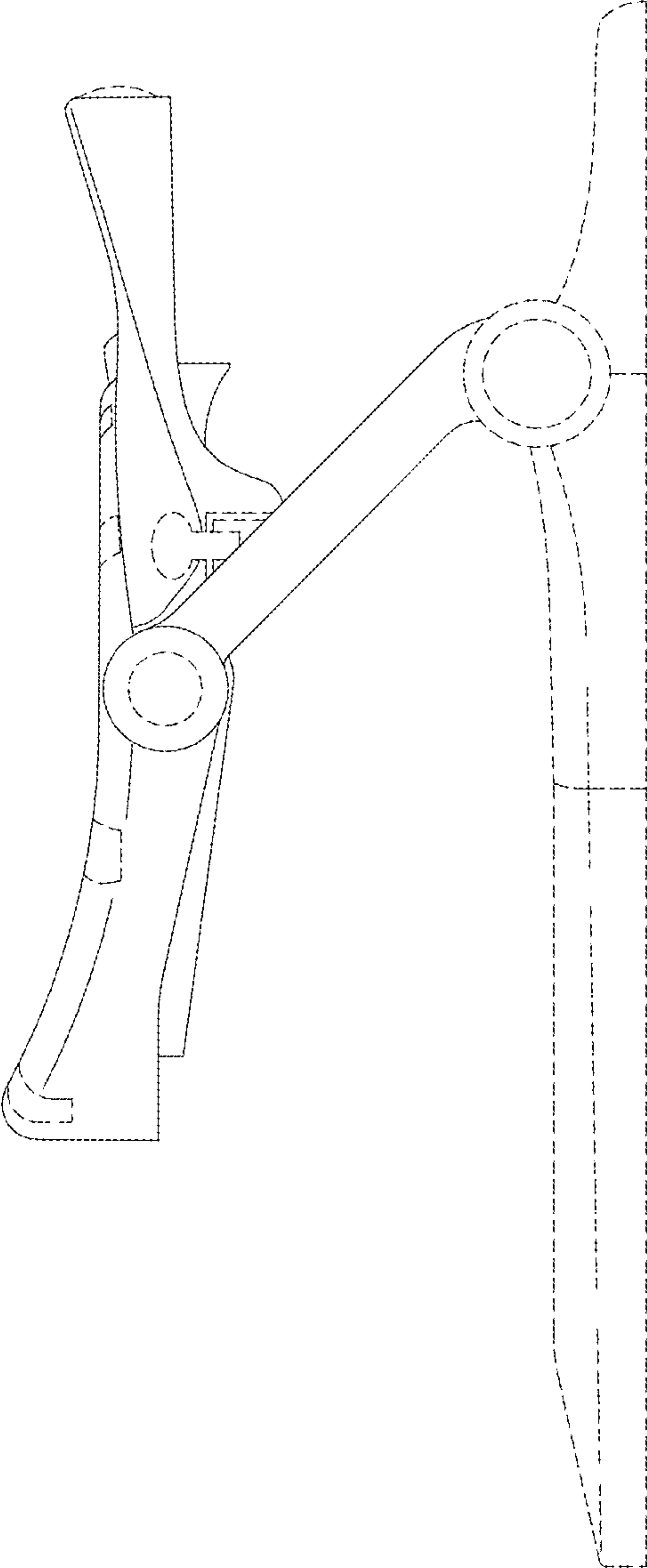


FIG.6



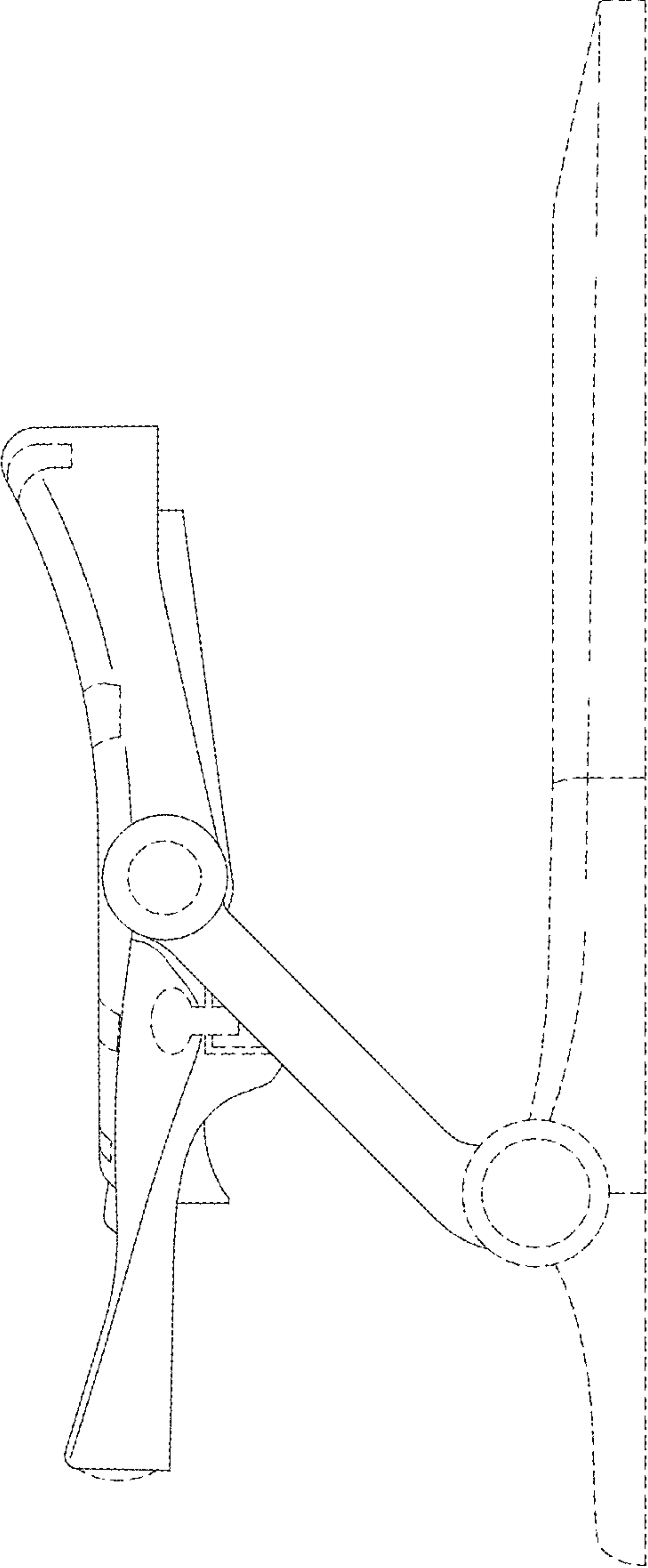


FIG.7

UNITED STATES PATENT AND TRADEMARK OFFICE  
**CERTIFICATE OF CORRECTION**

PATENT NO. : D789,106 S  
APPLICATION NO. : 29/510278  
DATED : June 13, 2017  
INVENTOR(S) : Devin J. Roberts

Page 1 of 3

It is certified that error appears in the above-identified patent and that said Letters Patent is hereby corrected as shown below:

In the Drawings

Please replace Figures 3 and 4 with the enclosed replacement sheets for Figures 3 and 4.

Signed and Sealed this  
Nineteenth Day of September, 2017



Joseph Matal  
*Performing the Functions and Duties of the  
Under Secretary of Commerce for Intellectual Property and  
Director of the United States Patent and Trademark Office*

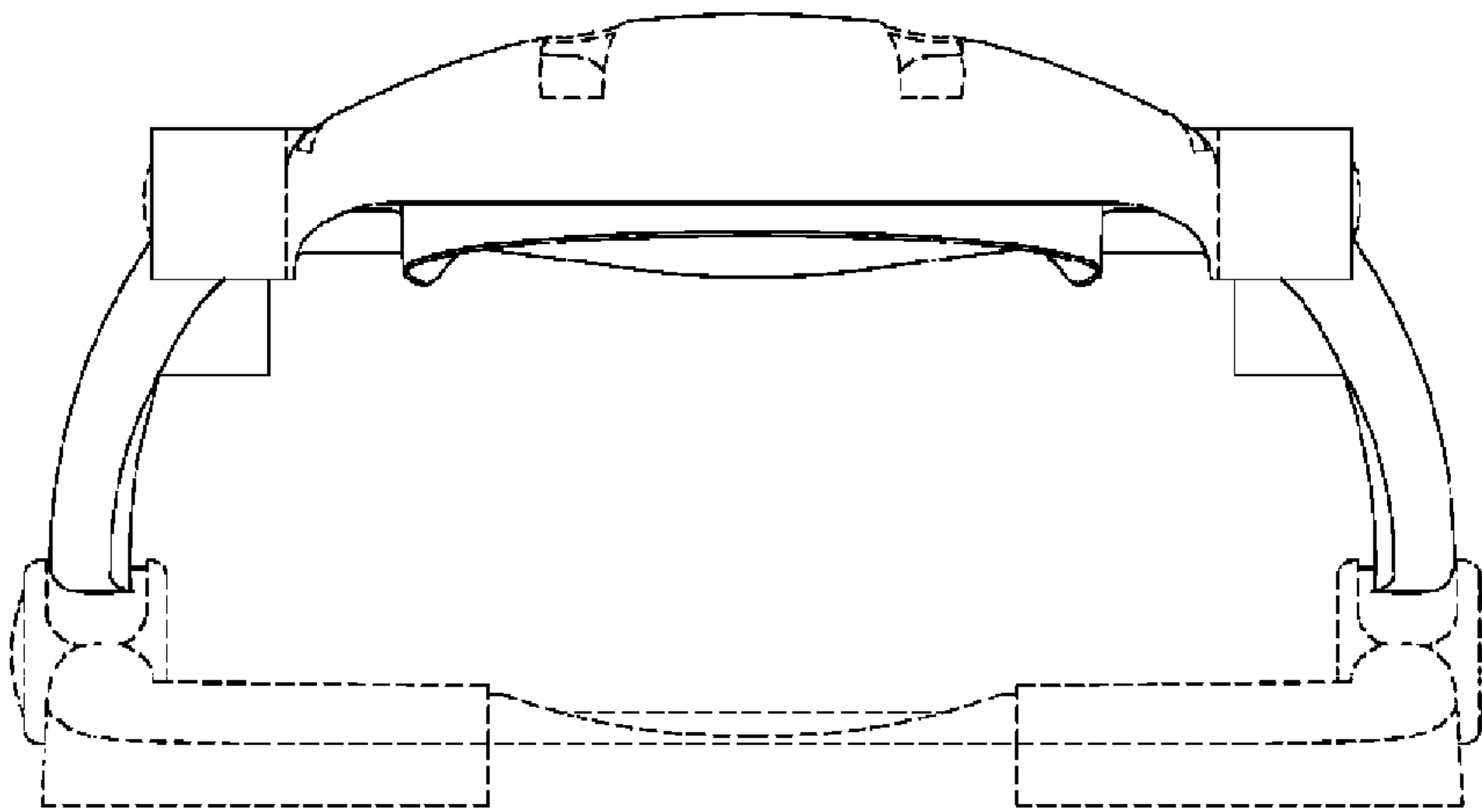


FIG.3

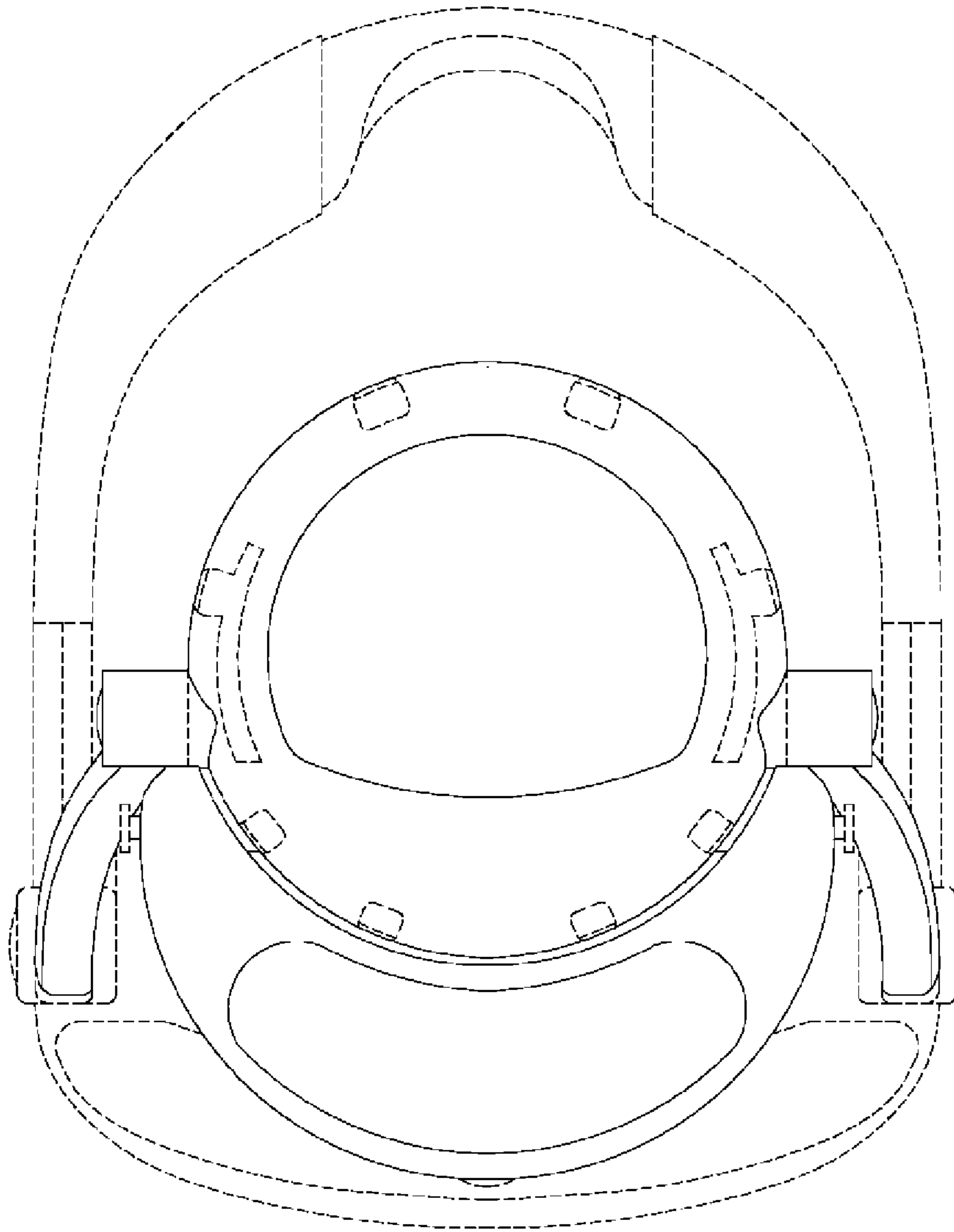


FIG.4