



US00D789105S

(12) **United States Design Patent**
Voigt et al.

(10) **Patent No.:** **US D789,105 S**
(45) **Date of Patent:** **** Jun. 13, 2017**

(54) **ERGONOMIC CHAIR**

(71) Applicant: **SV TOOL CORPORATION**, Santa Rosa, CA (US)

(72) Inventors: **Che Voigt**, Santa Rosa, CA (US); **John M. Speicher**, Geyserville, CA (US); **Steve I. Hwang**, San Francisco, CA (US); **David P. Mocarski**, Tujunga, CA (US); **Gregory Lyle Pagel**, Healdsburg, CA (US)

(73) Assignee: **SV Tool Corporation**, Santa Rosa, CA (US)

(**) Term: **15 Years**

(21) Appl. No.: **29/540,009**

(22) Filed: **Sep. 18, 2015**

(51) **LOC (10) Cl.** **06-01**

(52) **U.S. Cl.**
USPC **D6/338**

(58) **Field of Classification Search**
USPC D6/334, 335, 336, 338, 349, 355, 381,
D6/716, 716.1, 716.4, 360, 361; 297/118,
(Continued)

(56) **References Cited**

U.S. PATENT DOCUMENTS

2,673,593 A * 3/1954 Hendrickson B60N 2/34
297/321
D274,493 S * 7/1984 Dyby D6/392
(Continued)

FOREIGN PATENT DOCUMENTS

CA WO2004045341 6/2004
CN WO2015000149 1/2015
(Continued)

Primary Examiner — Sandra Snapp

(74) *Attorney, Agent, or Firm* — Craig M. Stainbrook;
Stainbrook & Stainbrook, LLP

(57) **CLAIM**

The ornamental design for ergonomic chair, as shown and described.

DESCRIPTION

FIG. 1 is an upper left front perspective view of my ergonomic chair and arm design;
FIG. 2 is an upper right rear perspective view of my ergonomic chair and arm design;
FIG. 3 is a lower right rear perspective view of my ergonomic chair and arm design;
FIG. 4 is a front elevational view of my ergonomic chair and arm design;
FIG. 5 is a right side elevational view of my ergonomic chair and arm design;
FIG. 6 is a rear elevational view of my ergonomic chair and arm design;
FIG. 7 is a left side elevational view of my ergonomic chair and arm design;
FIG. 8 is a top plan view of my ergonomic chair and arm design;
FIG. 9 is a bottom plan view of my ergonomic chair and arm design;
FIG. 10 is an upper left front perspective view of my ergonomic chair and arm design with the leg support portion extended;
FIG. 11 is an upper right rear perspective view of my ergonomic chair and arm design with the leg support portion extended;
FIG. 12 is a lower right rear perspective view of my ergonomic chair and arm design with the leg support portion extended;
FIG. 13 is a front elevational view of my ergonomic chair and arm design with the leg support portion extended;
FIG. 14 is a right side elevational view of my ergonomic chair and arm design with the leg support portion extended;
FIG. 15 is a rear elevational view of my ergonomic chair and arm design with the leg support portion extended;

(Continued)

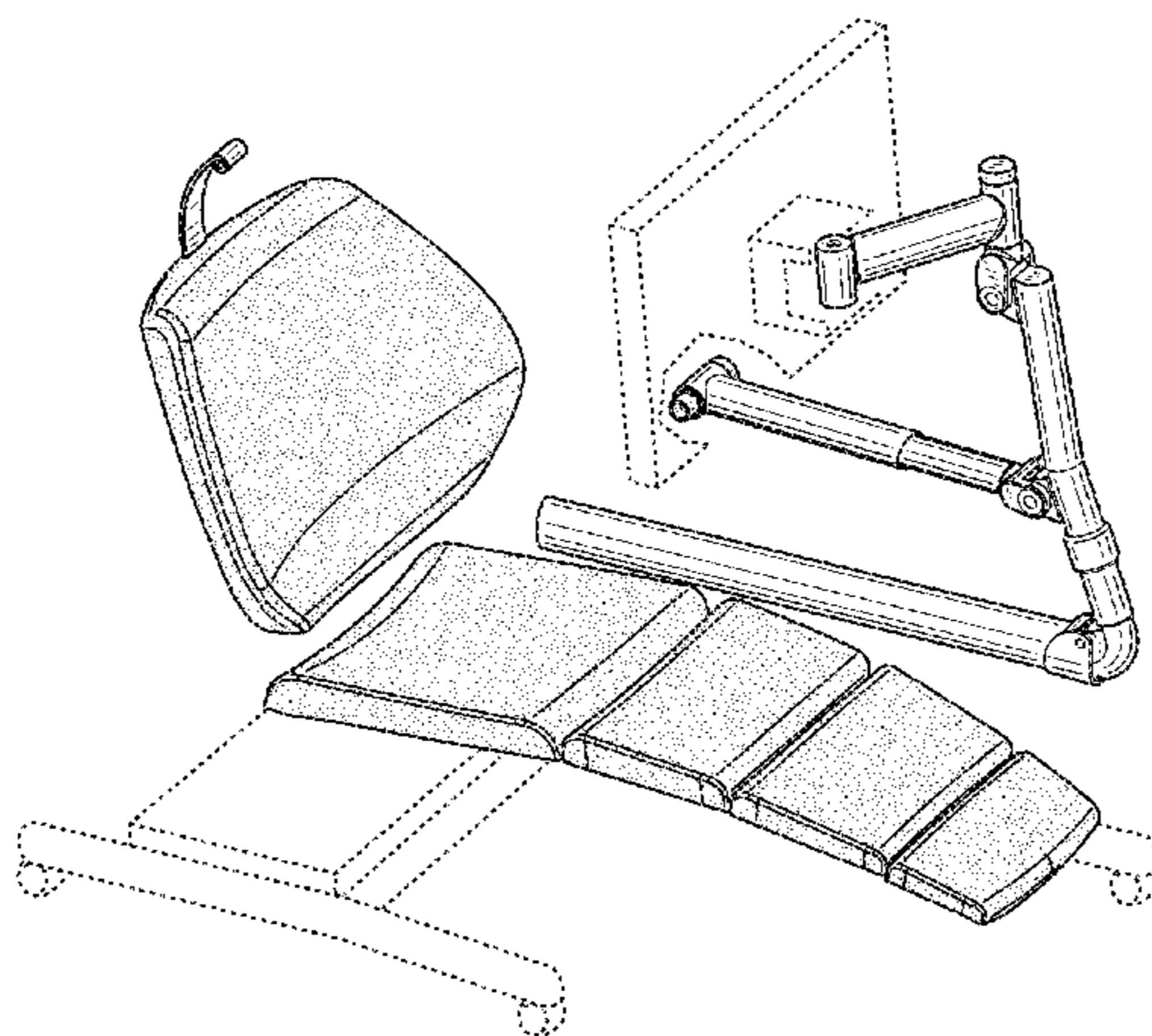


FIG. 16 is a left side elevational view of my ergonomic chair and arm design with the leg support portion extended;
 FIG. 17 is a top plan view of my ergonomic chair and arm design with the leg support portion extended;
 FIG. 18 is a bottom plan view of my ergonomic chair and arm design with the leg support portion extended;
 FIG. 19 is an upper left front perspective view of my ergonomic chair and arm design with the back support portion reclined;
 FIG. 20 is an upper right rear perspective view of my ergonomic chair and arm design with the back support portion reclined;
 FIG. 21 is a lower right rear perspective view of my ergonomic chair and arm design with the back support portion reclined;
 FIG. 22 is a front elevational view of my ergonomic chair and arm design with the back support portion reclined;
 FIG. 23 is a right side elevational view of my ergonomic chair and arm design with the back support portion reclined;
 FIG. 24 is a rear elevational view of my ergonomic chair and arm design with the back support portion reclined;
 FIG. 25 is a left side elevational view of my ergonomic chair and arm design with the back support portion reclined;
 FIG. 26 is a top plan view of my ergonomic chair and arm design with the back support portion reclined; and,
 FIG. 27 is a bottom plan view of my ergonomic chair and arm design with the back support portion reclined.
 The broken line showing of ergonomic chair is for the purpose of illustrating the environmental structure and forms no part of the claimed design.
 Dashed lines represent unclaimed features and environment and do not form a part of our design. When unclaimed features block the view of the claimed article, the dashed objects are either fragmented or removed.

1 Claim, 24 Drawing Sheets

(58) **Field of Classification Search**

USPC 297/119, 135, 144, 232, 445.1, 448.1, 297/452.18, 156, 175, 216.1, 452.19; 5/12.1, 12.2
 CPC .. A47C 1/02; A47C 1/12; A47C 11/00; A47C 17/00; A47C 17/02; A47C 4/52; A47C 9/00

See application file for complete search history.

(56)

References Cited

U.S. PATENT DOCUMENTS

D288,037	S *	2/1987	Orenstein	D6/335
D299,988	S *	2/1989	Parabita	5/420
D302,079	S *	7/1989	Goldman	D6/361
4,880,270	A *	11/1989	Cooper	A47B 21/03 108/20
5,042,874	A *	8/1991	Williams	A47C 1/143 297/17
5,054,852	A *	10/1991	Tholkes	A47B 83/02 297/172
5,056,864	A	10/1991	Cooper		
5,542,746	A	8/1996	Bujaryn		
5,779,305	A *	7/1998	Hocking	A47B 21/00 297/170
D425,321	S *	5/2000	Tholkes	D6/338
D425,713	S *	5/2000	Tholkes	D6/335
6,089,663	A	7/2000	Hill		
6,102,476	A	8/2000	May et al.		
D441,968	S *	5/2001	Lin	D6/336
6,270,157	B1	8/2001	Kapushinski		
6,296,408	B1	10/2001	Larkin et al.		
6,354,044	B1	3/2002	Lagace, Jr.		
6,425,631	B1	7/2002	Lin		
6,450,578	B1	9/2002	Taggett		
D465,343	S *	11/2002	Daneault	D6/338
7,448,680	B2	11/2008	DiRe		
D612,641	S *	3/2010	Smit	D6/366
7,823,973	B2	11/2010	Dragusin		
8,087,724	B2	1/2012	Kosik et al.		
D679,914	S *	4/2013	Smit	D6/338
8,459,191	B2	6/2013	Adams		
8,615,828	B2	12/2013	Schermel		
D707,458	S *	6/2014	Doyle	D6/361
8,939,500	B2	1/2015	Voigt		
D731,038	S *	6/2015	Enomoto	D23/289
2001/0020810	A1	9/2001	Kennedy		
2006/0119233	A1	6/2006	Thomas		
2007/0278834	A1	12/2007	Kielland		
2008/0164737	A1	7/2008	Fowlds et al.		
2009/0206641	A1	8/2009	Brown, Jr.		
2010/0201165	A1	8/2010	Dankovich		
2011/0238079	A1	9/2011	Hannaford et al.		
2014/0084642	A1	3/2014	Park		
2014/0306075	A1	10/2014	Stieler et al.		

FOREIGN PATENT DOCUMENTS

JP	WO9400206	1/1994
MX	WO2011016707	2/2011

* cited by examiner

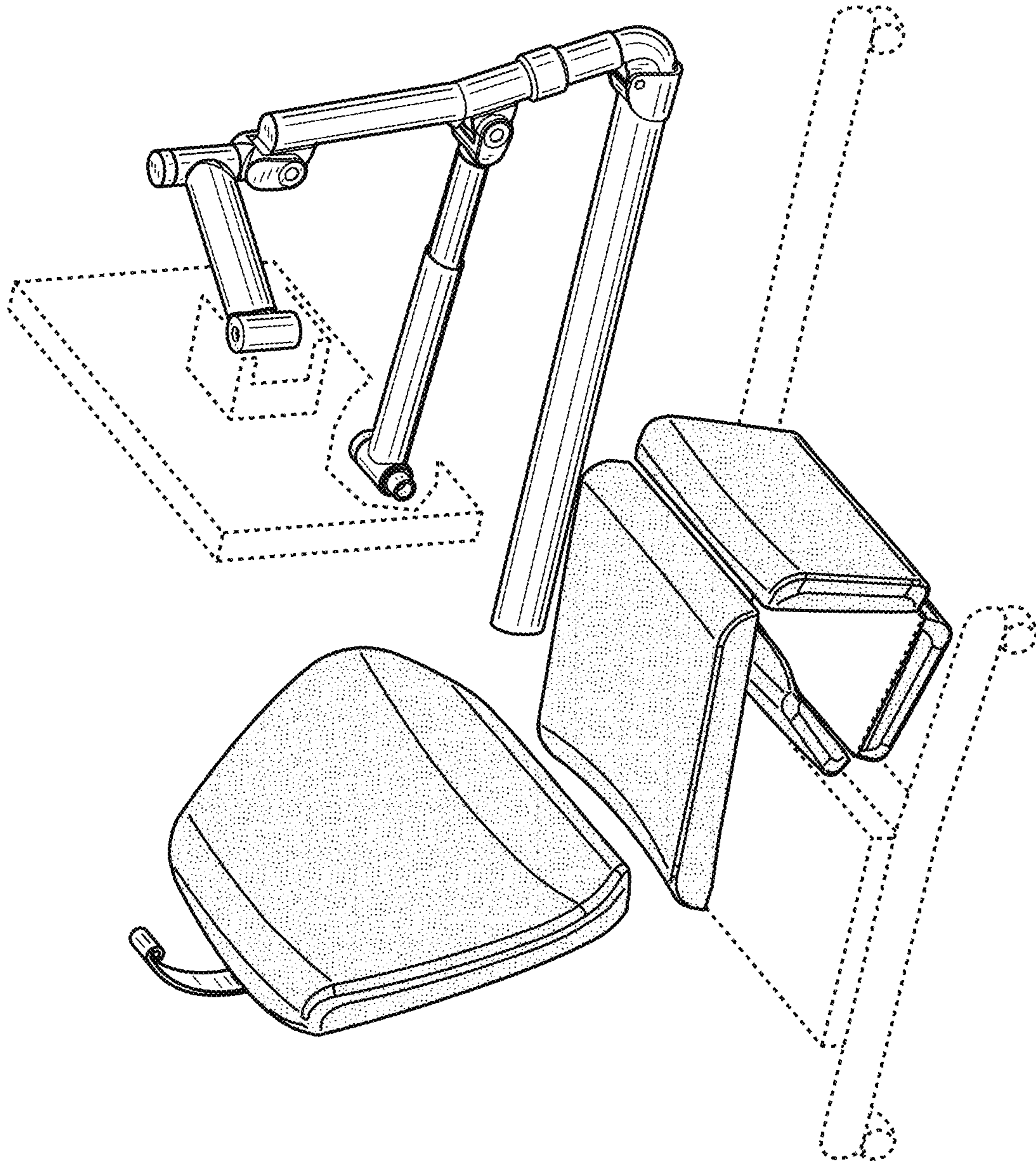


FIG. 1

FIG. 2

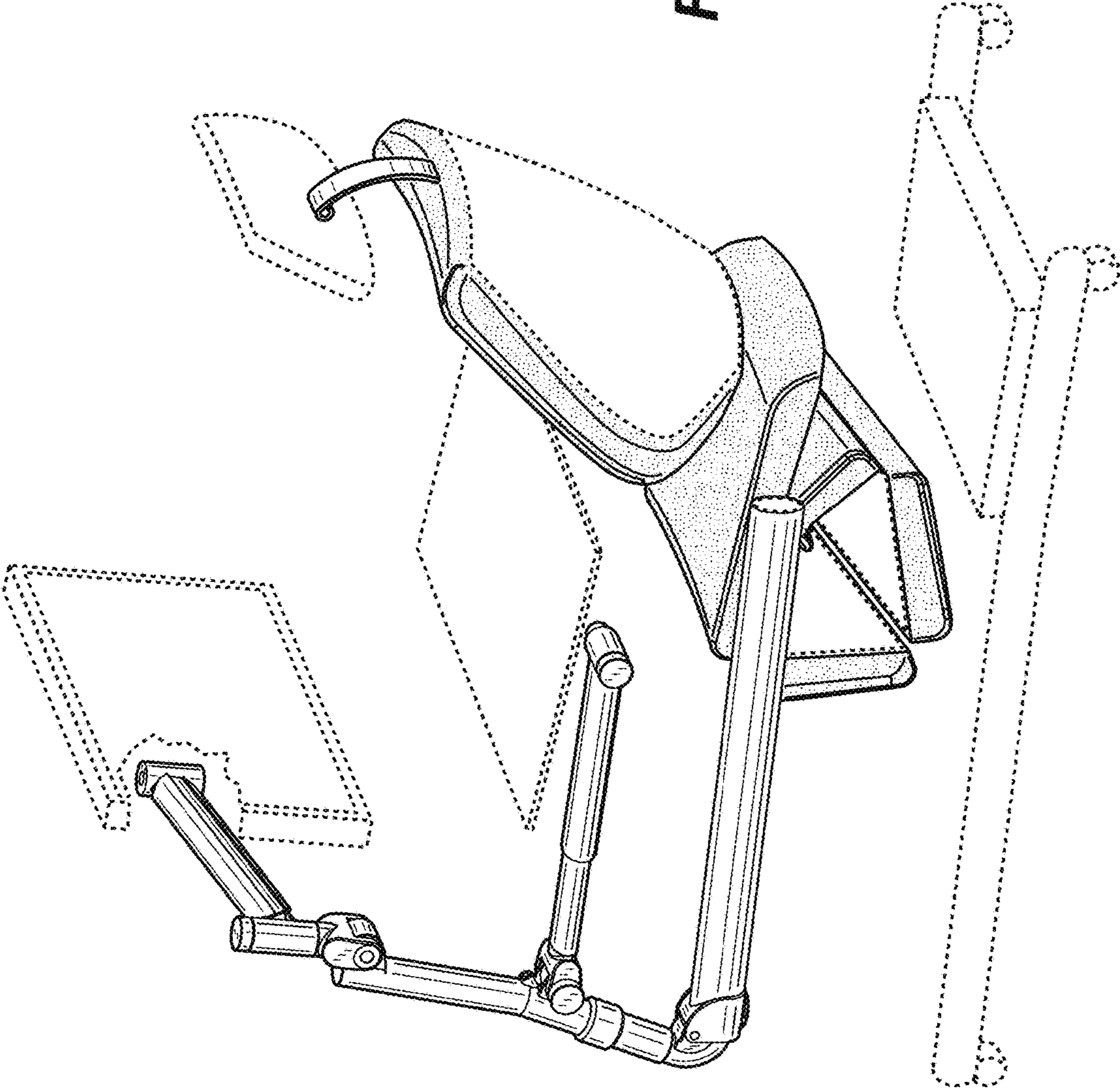
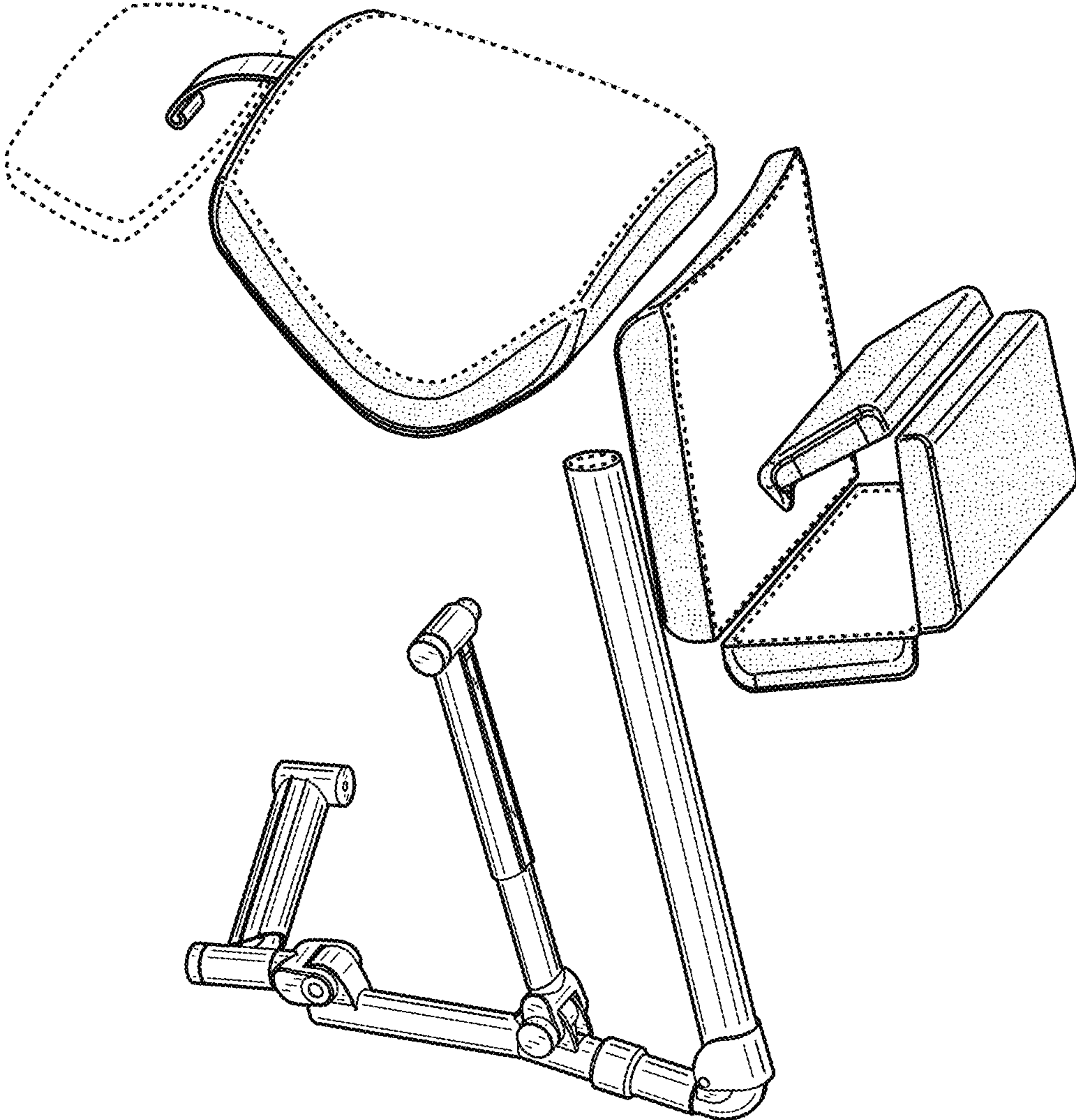


FIG. 3



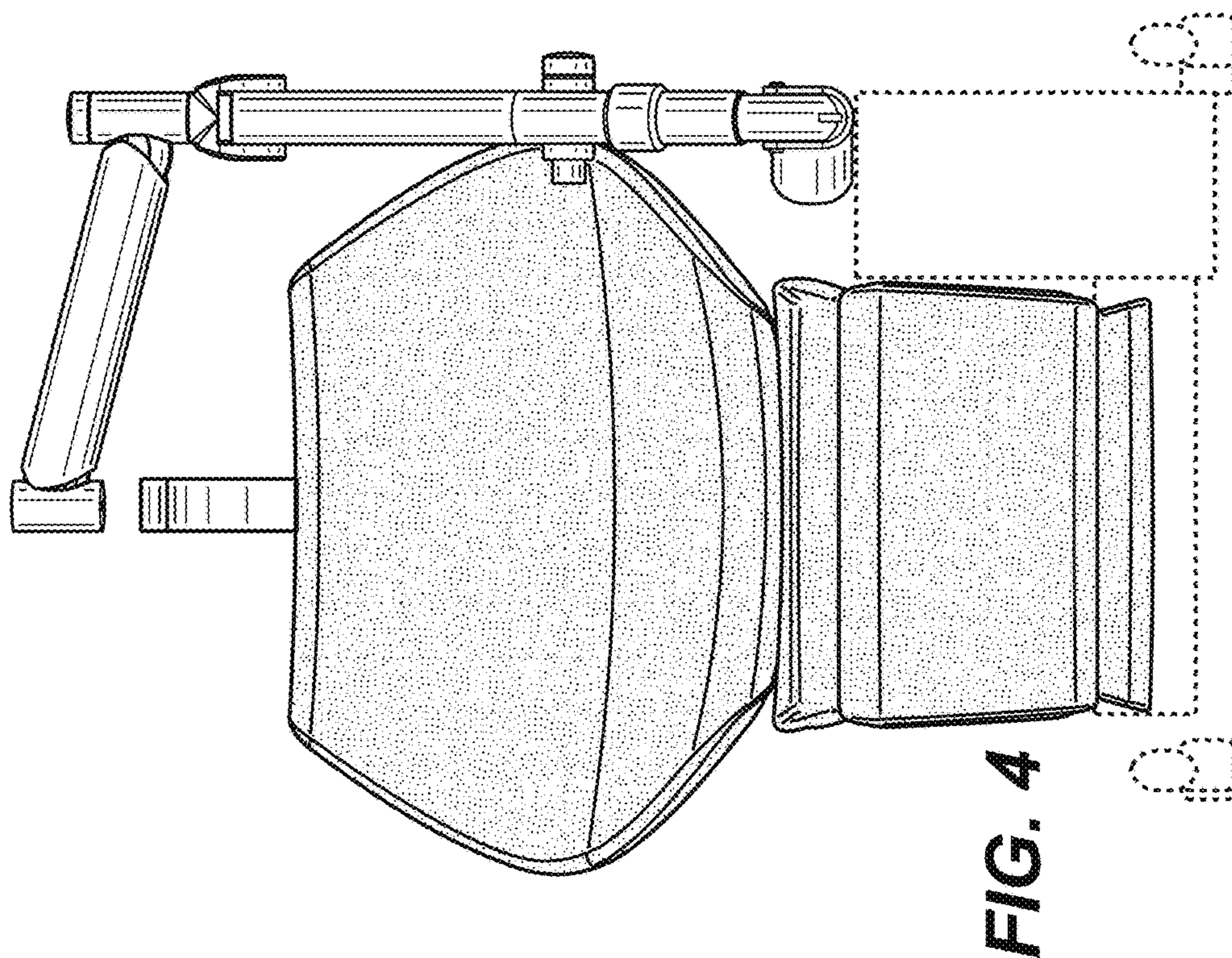
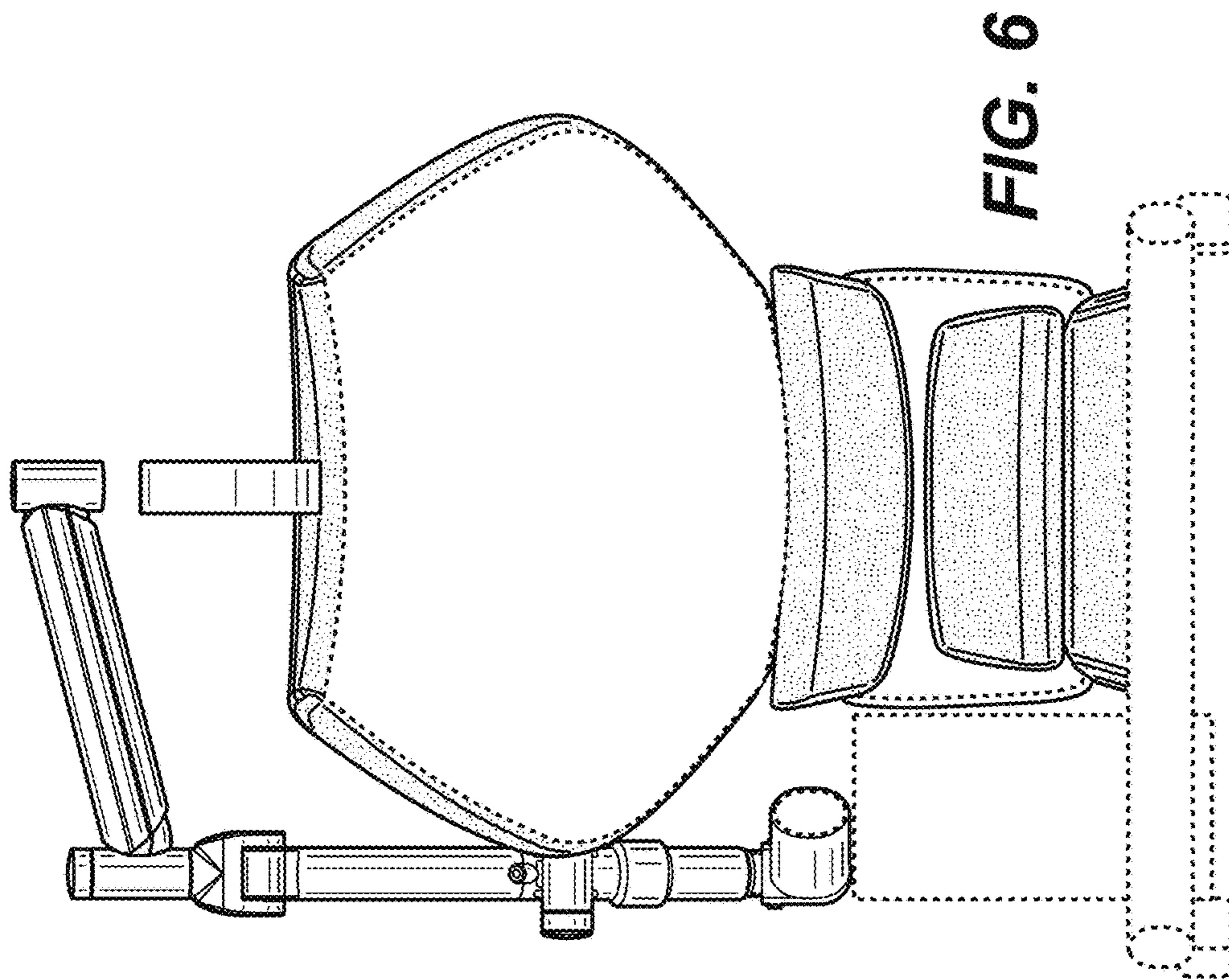
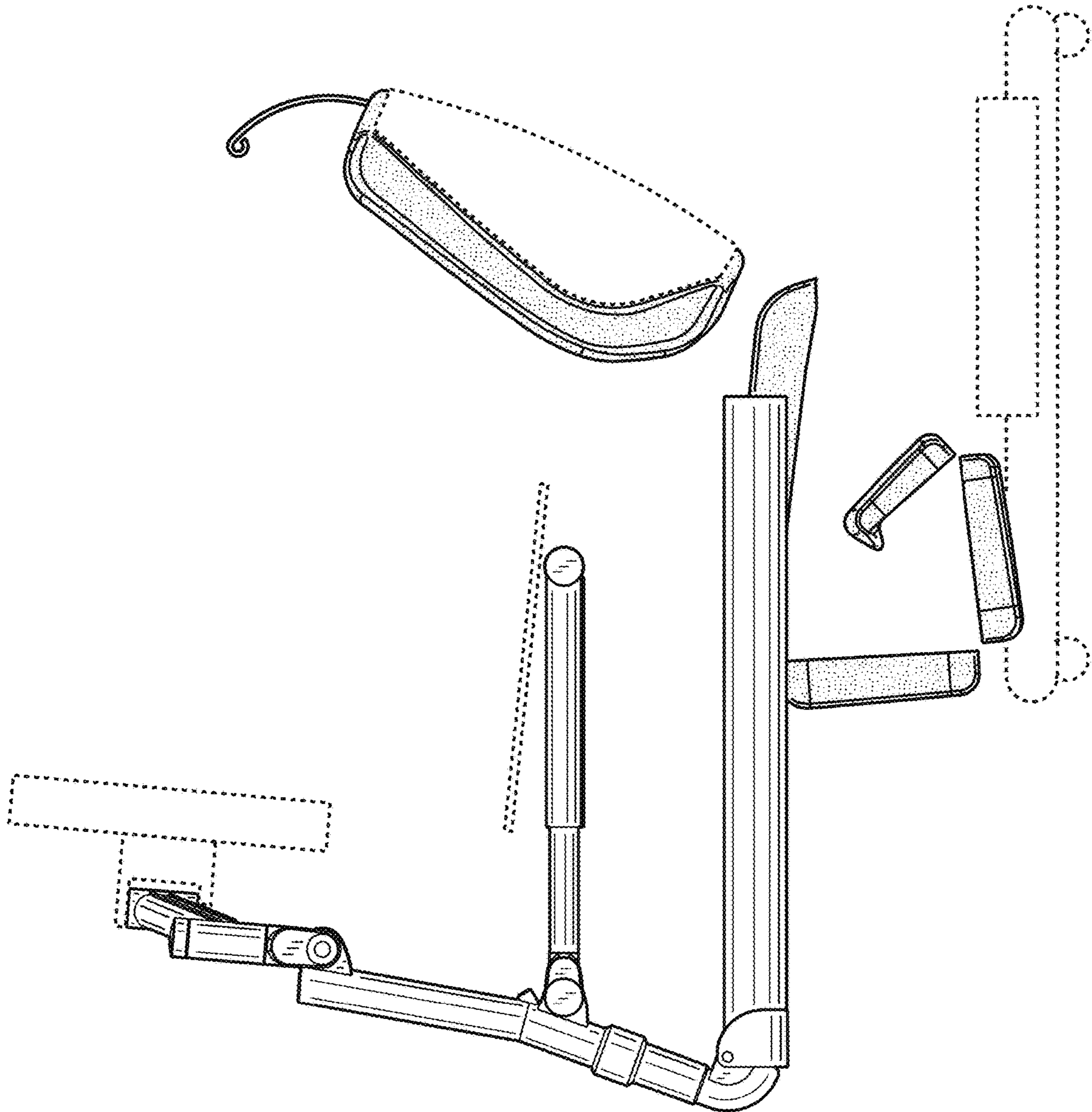


FIG. 5



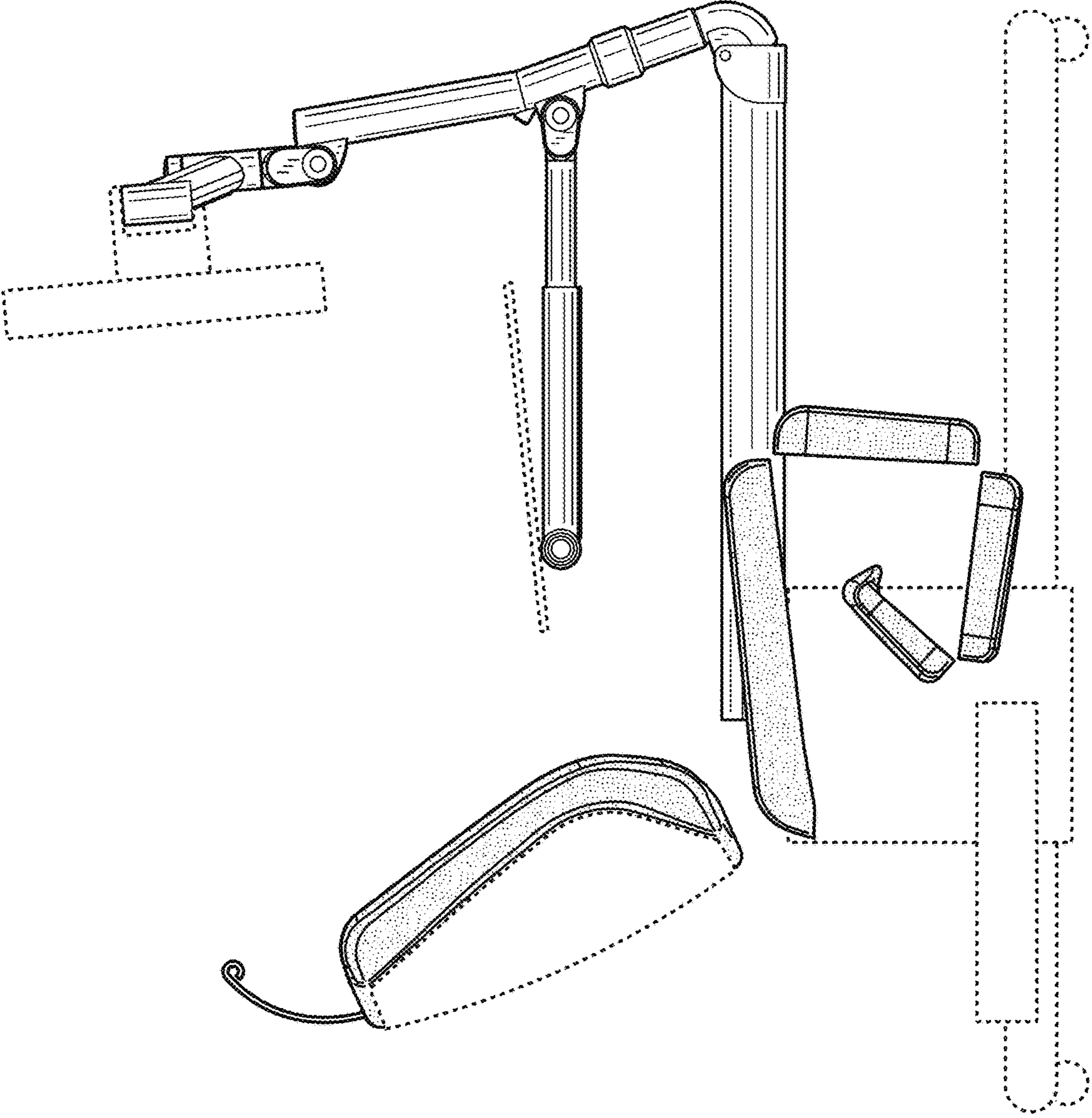


FIG. 7

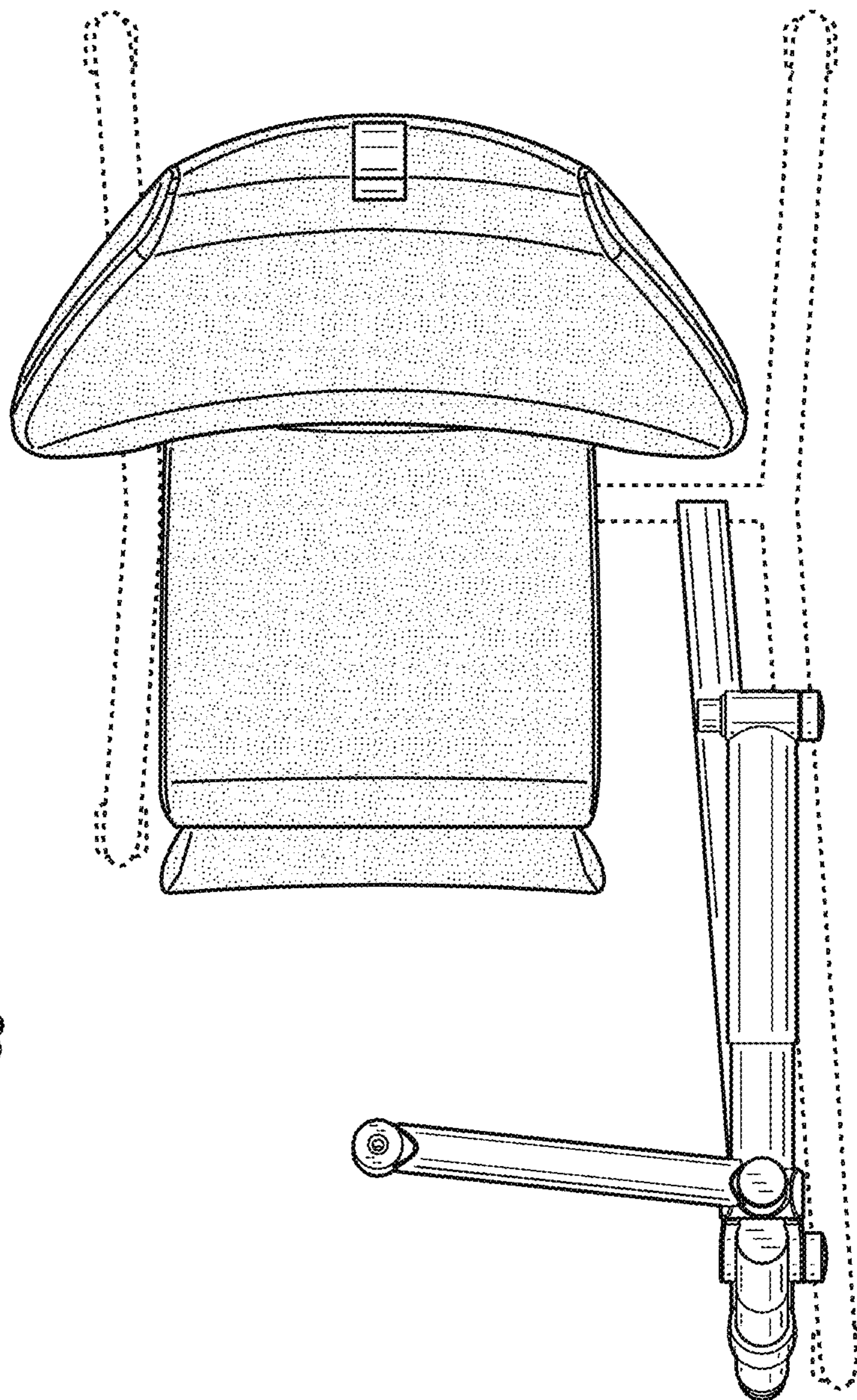


FIG. 8

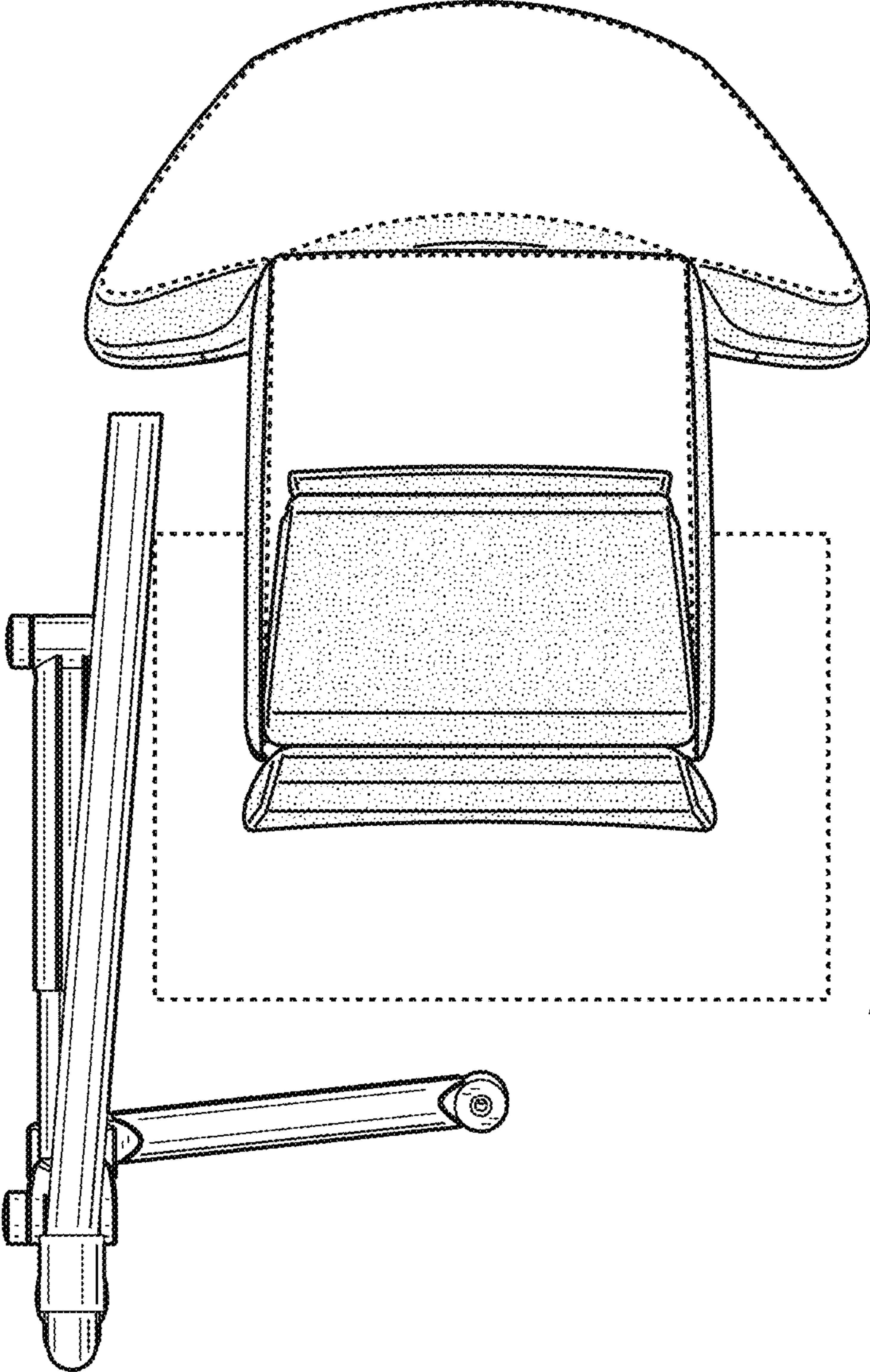


FIG. 9

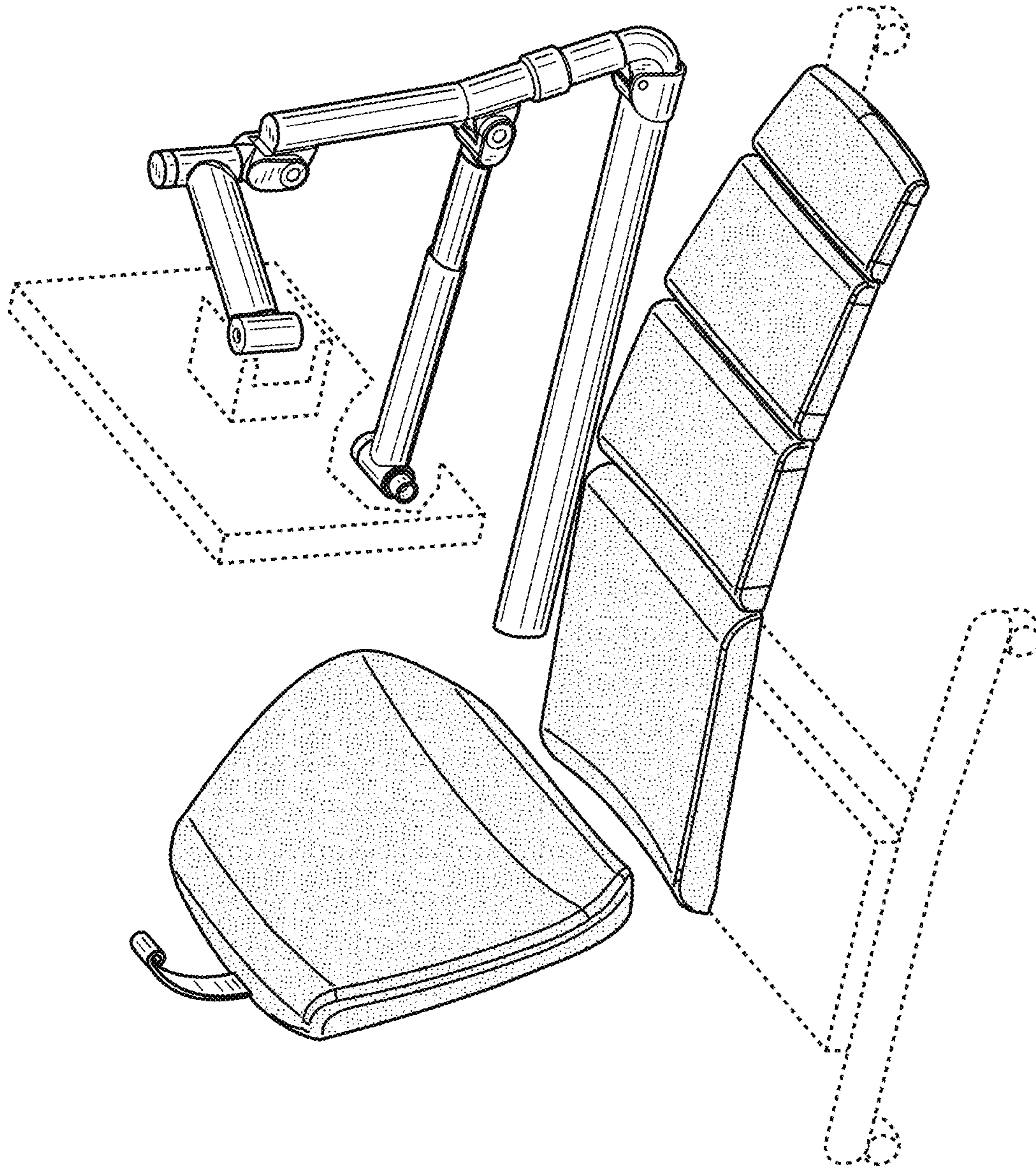


FIG. 10

FIG. 11

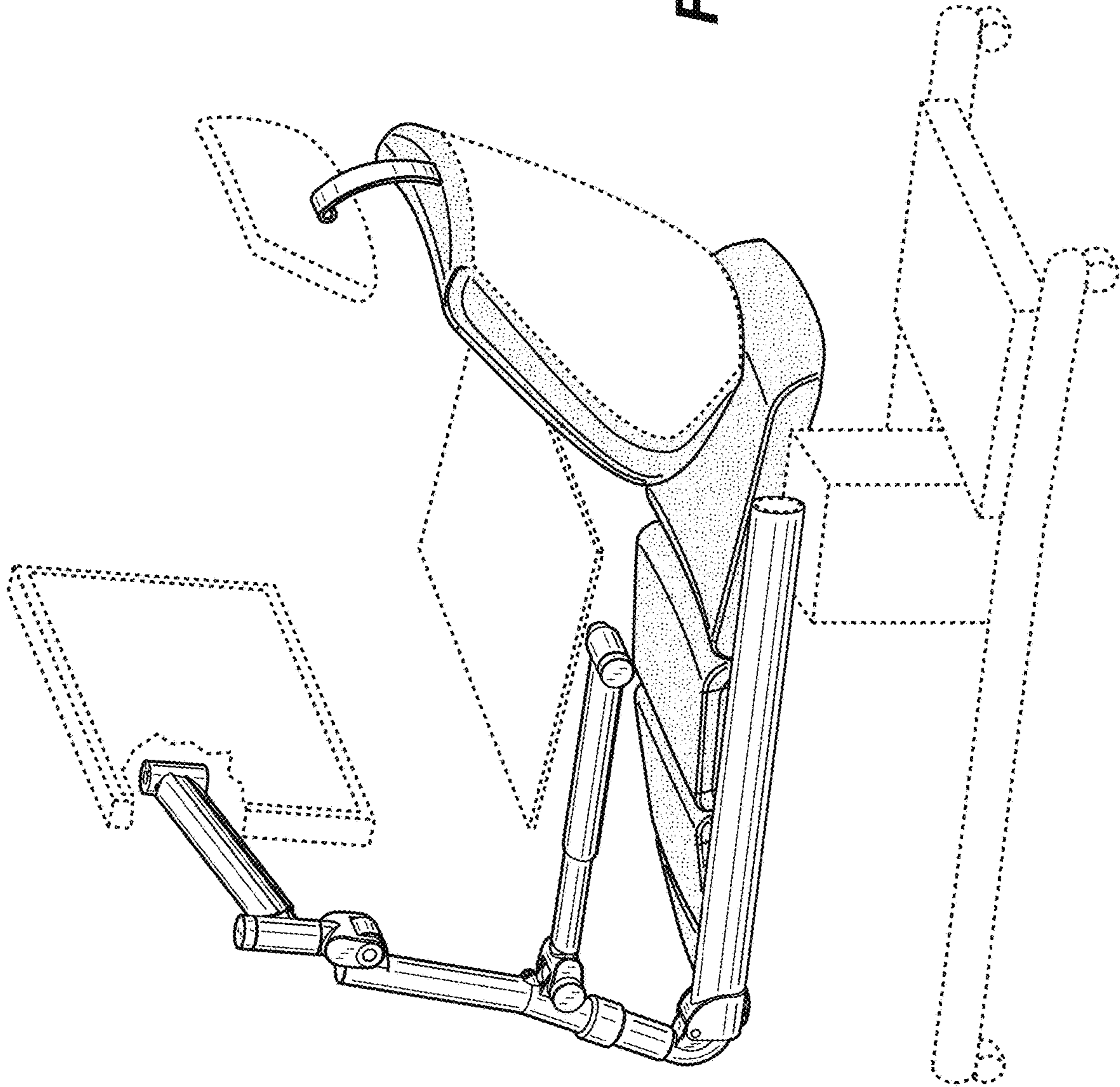
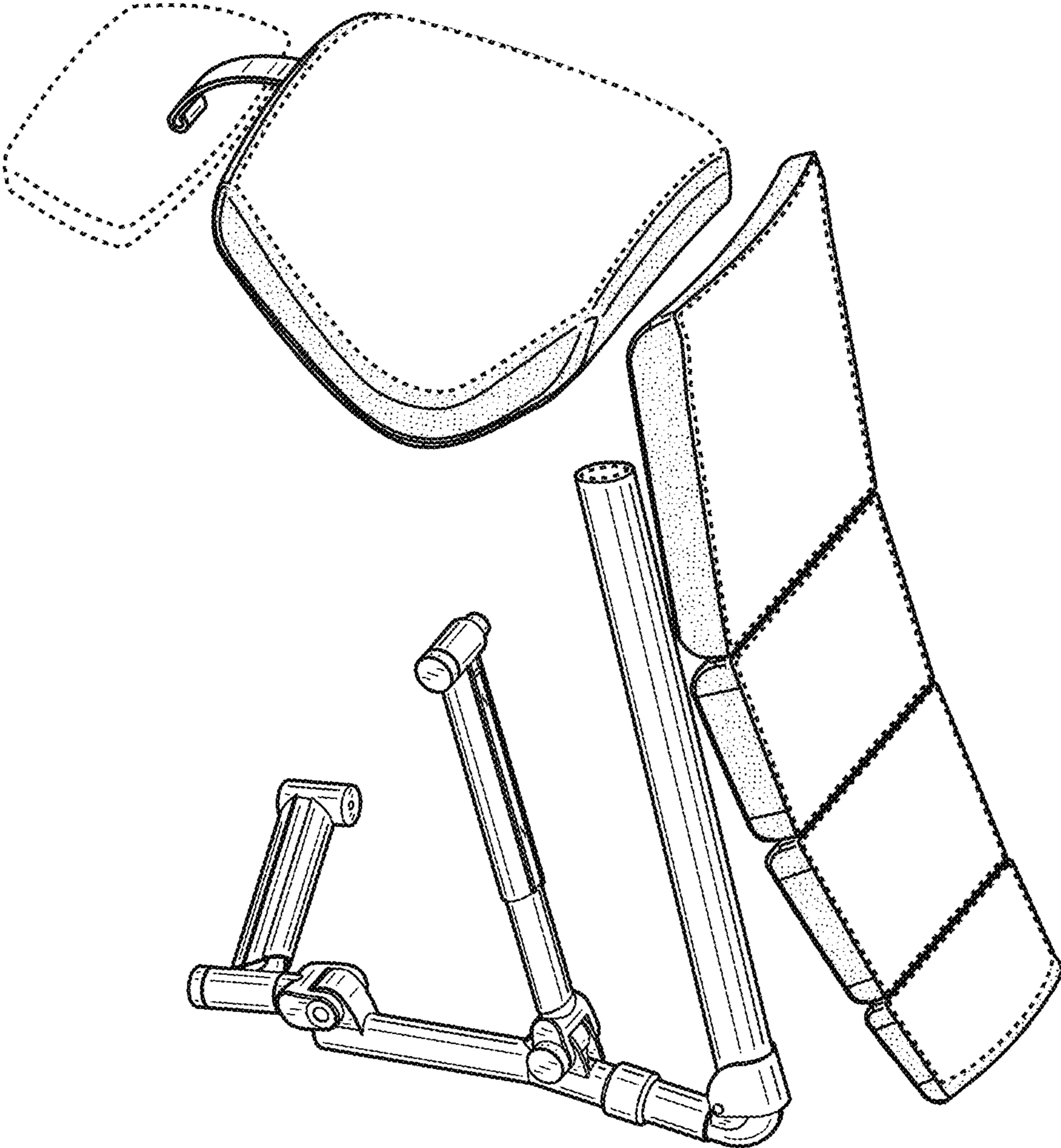


FIG. 12



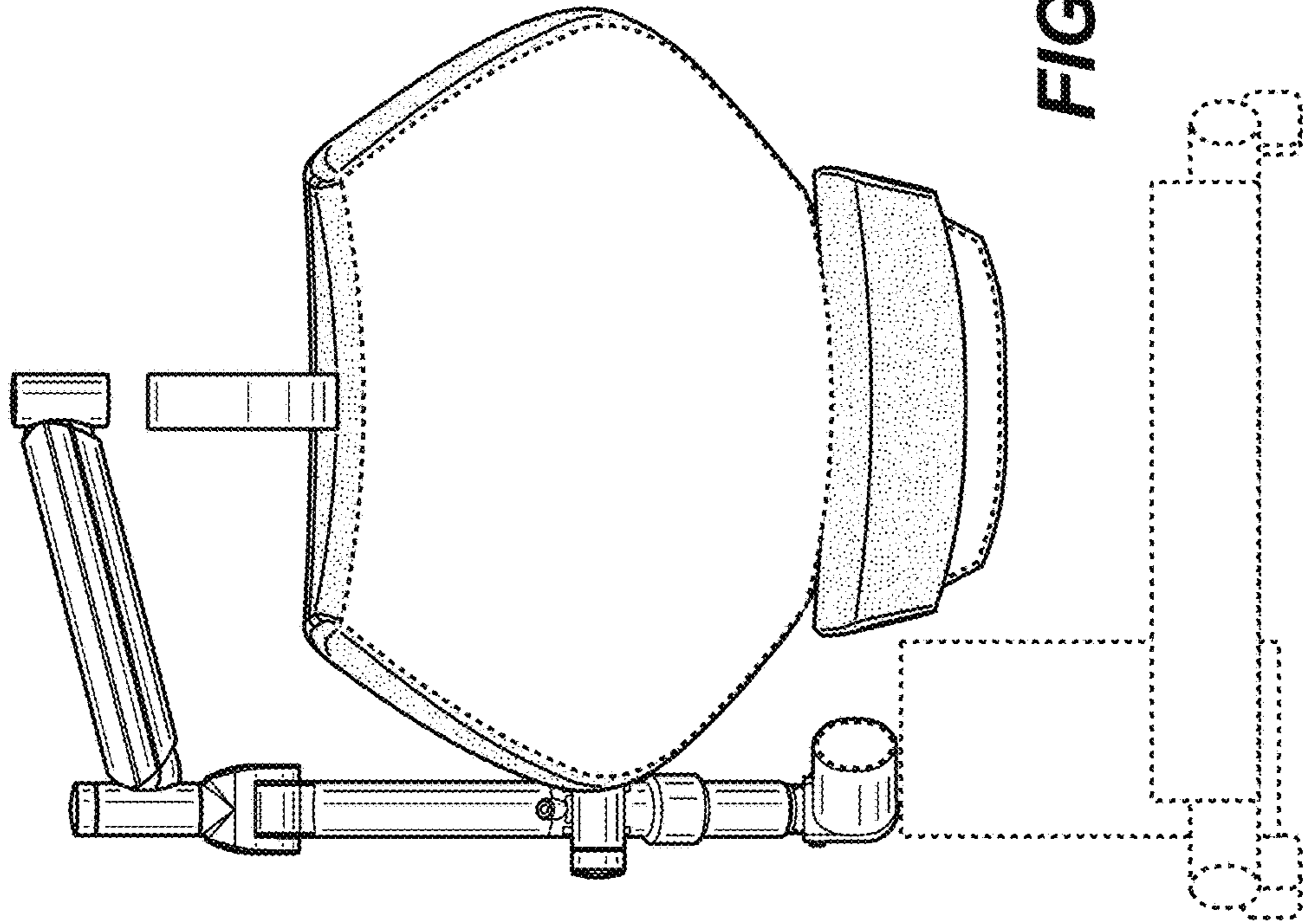


FIG. 15

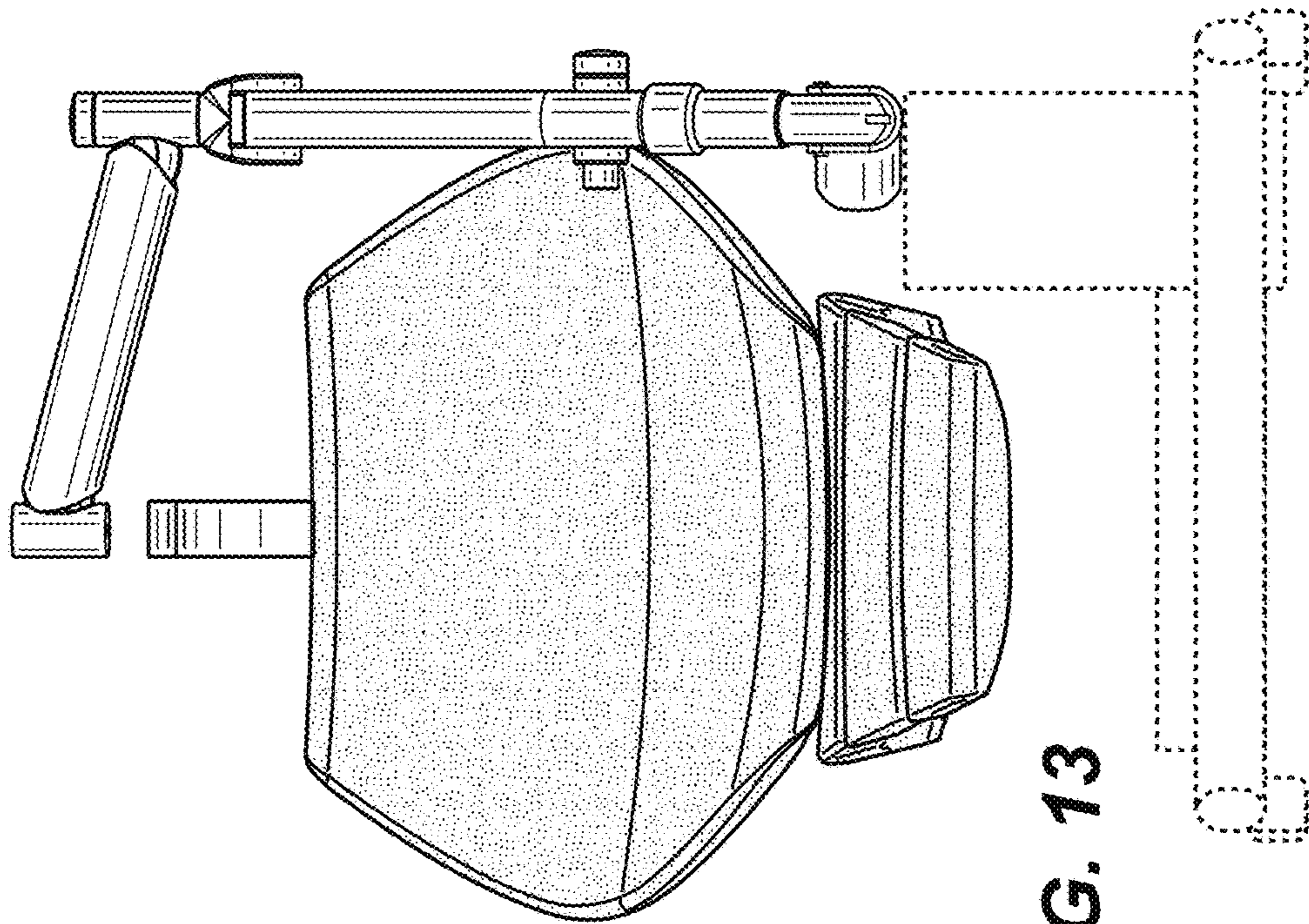
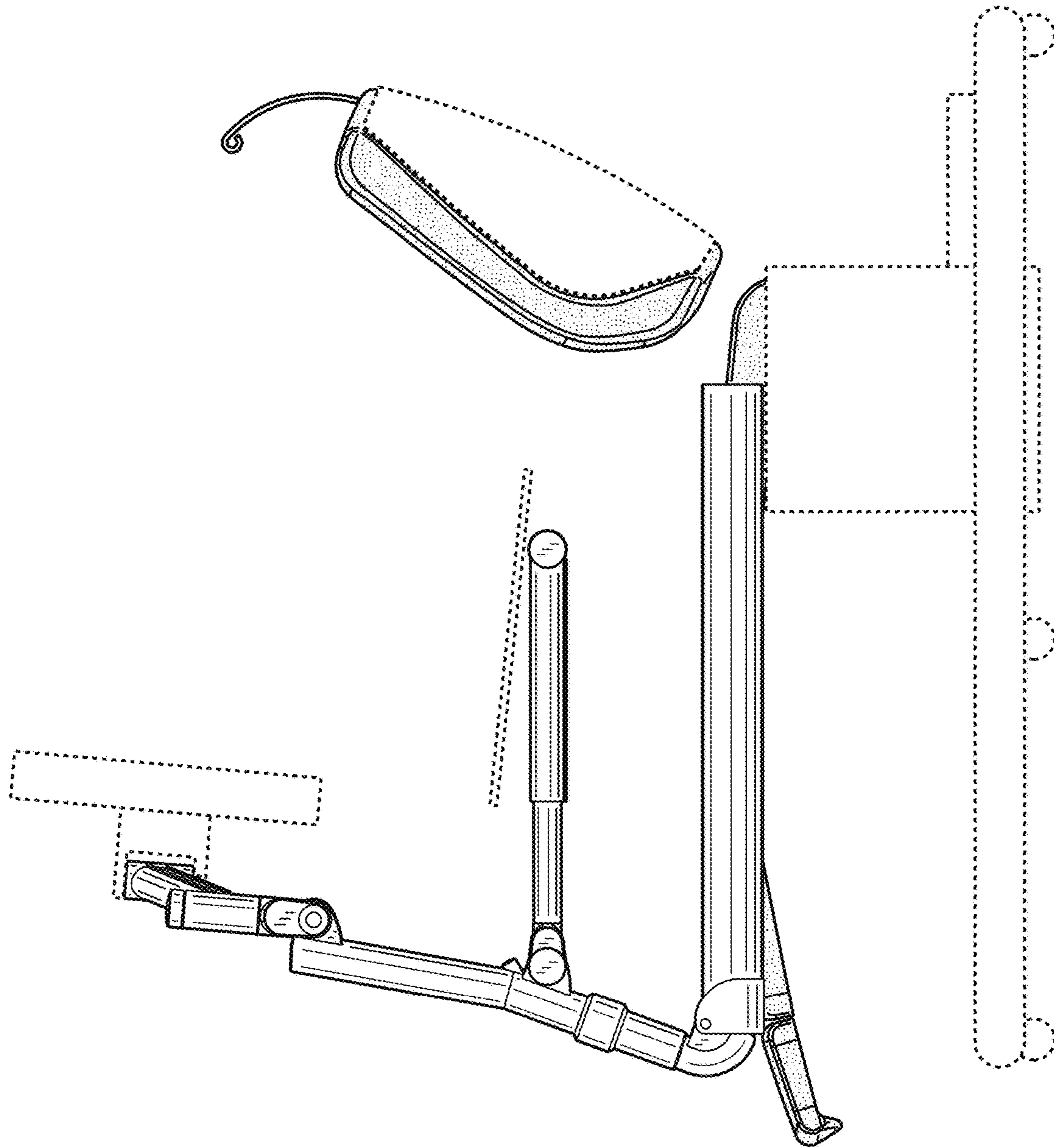


FIG. 13

FIG. 14



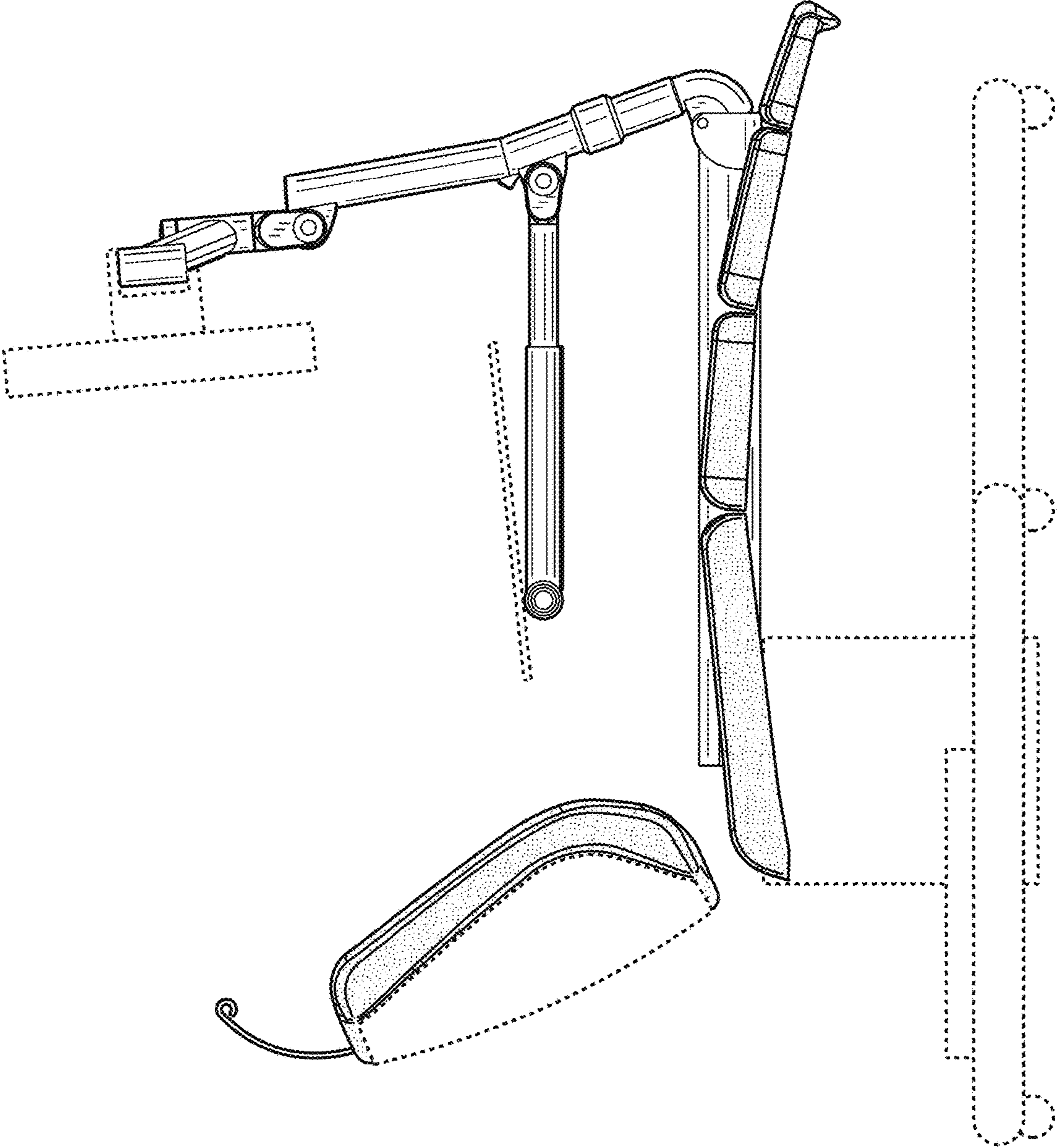


FIG. 16

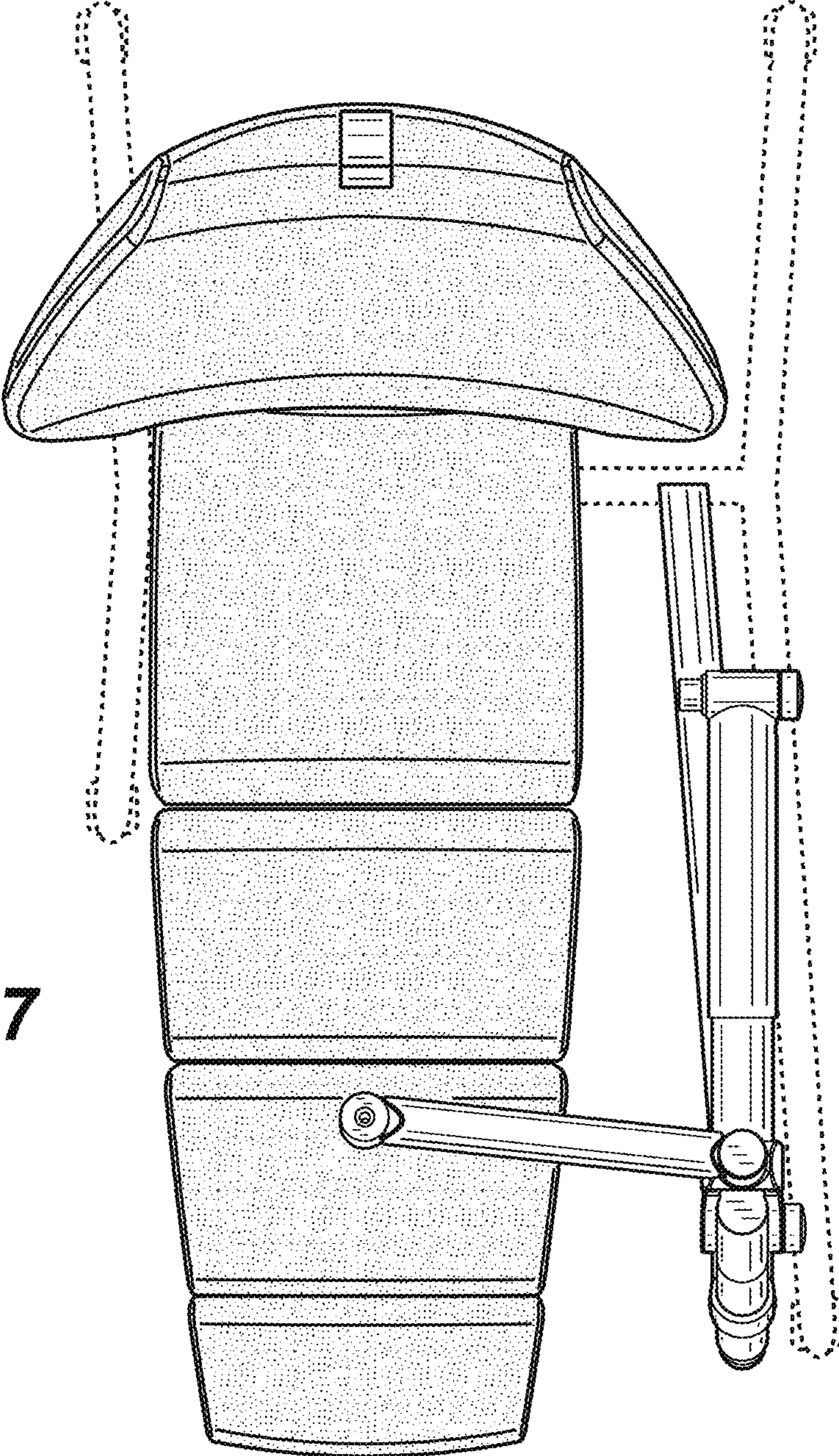


FIG. 17

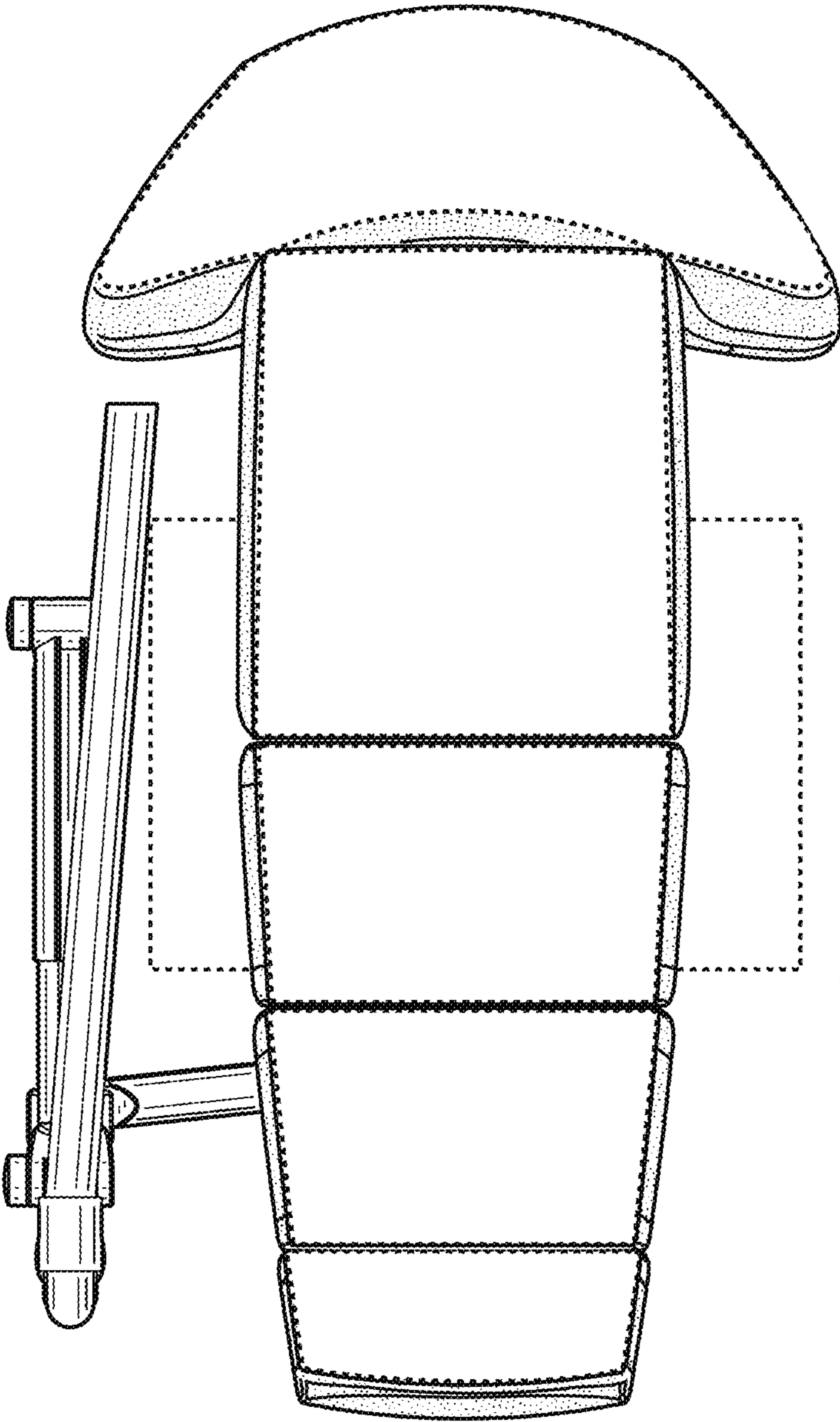


FIG. 18

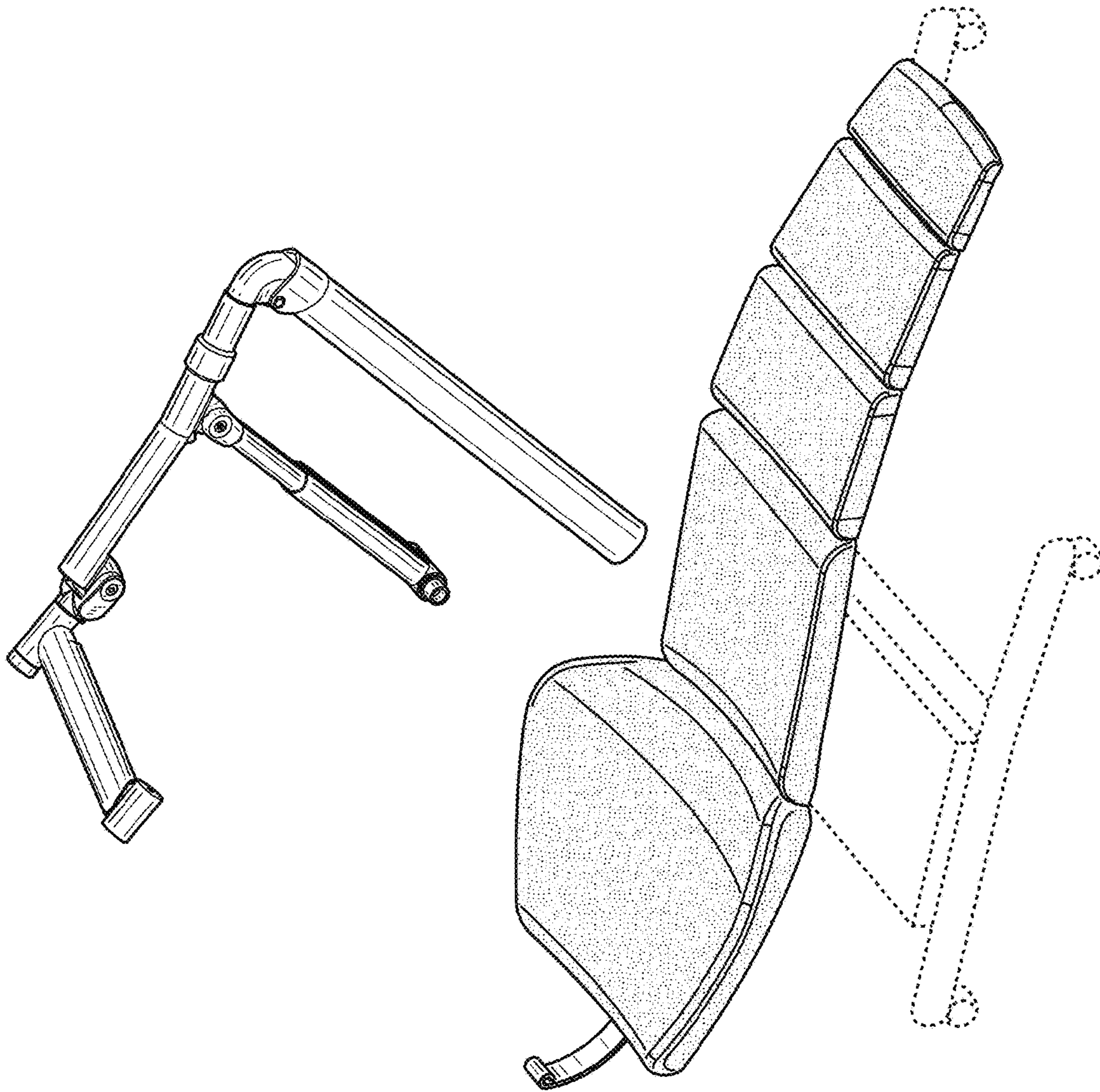


FIG. 19

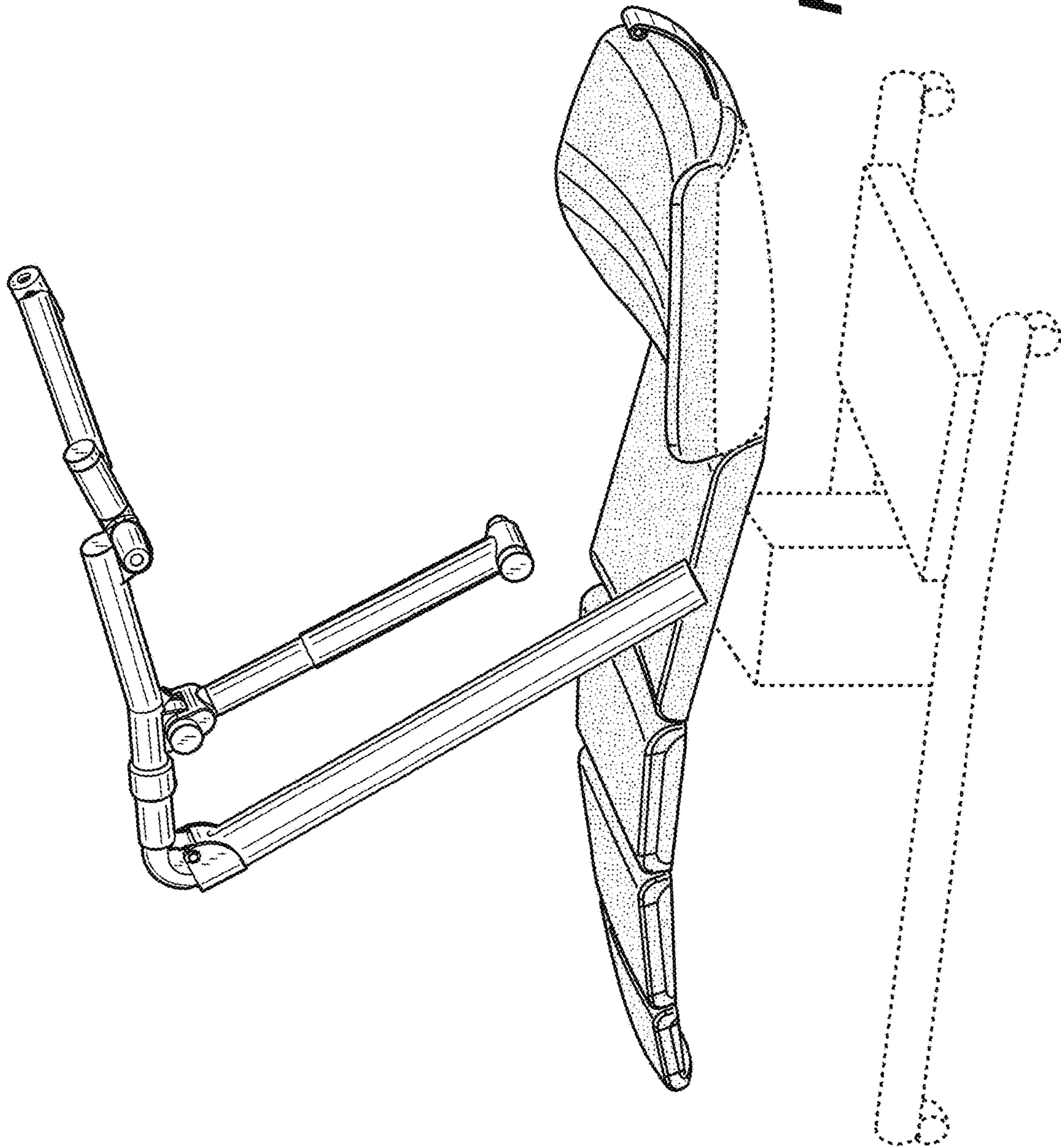


FIG. 20

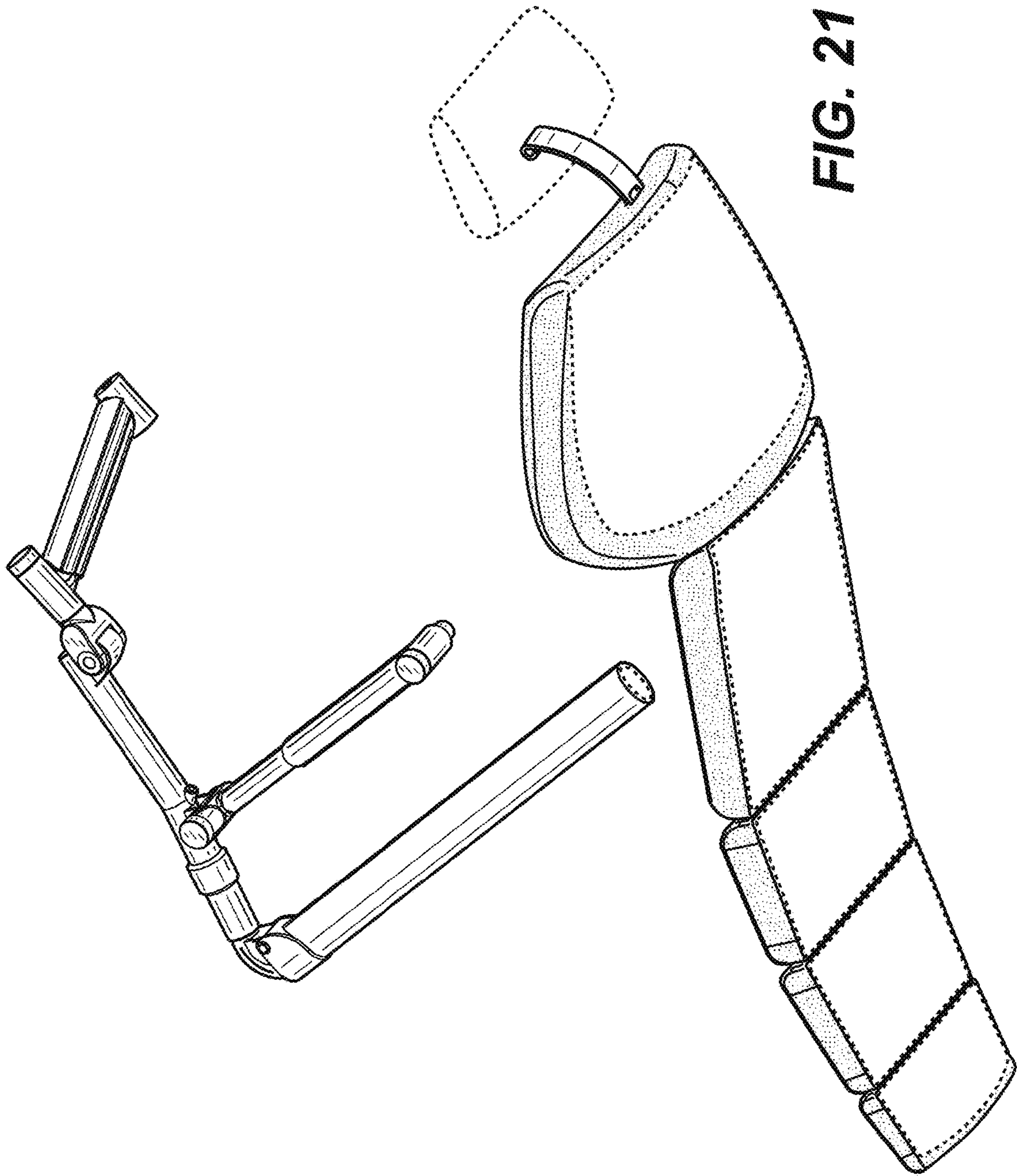


FIG. 21

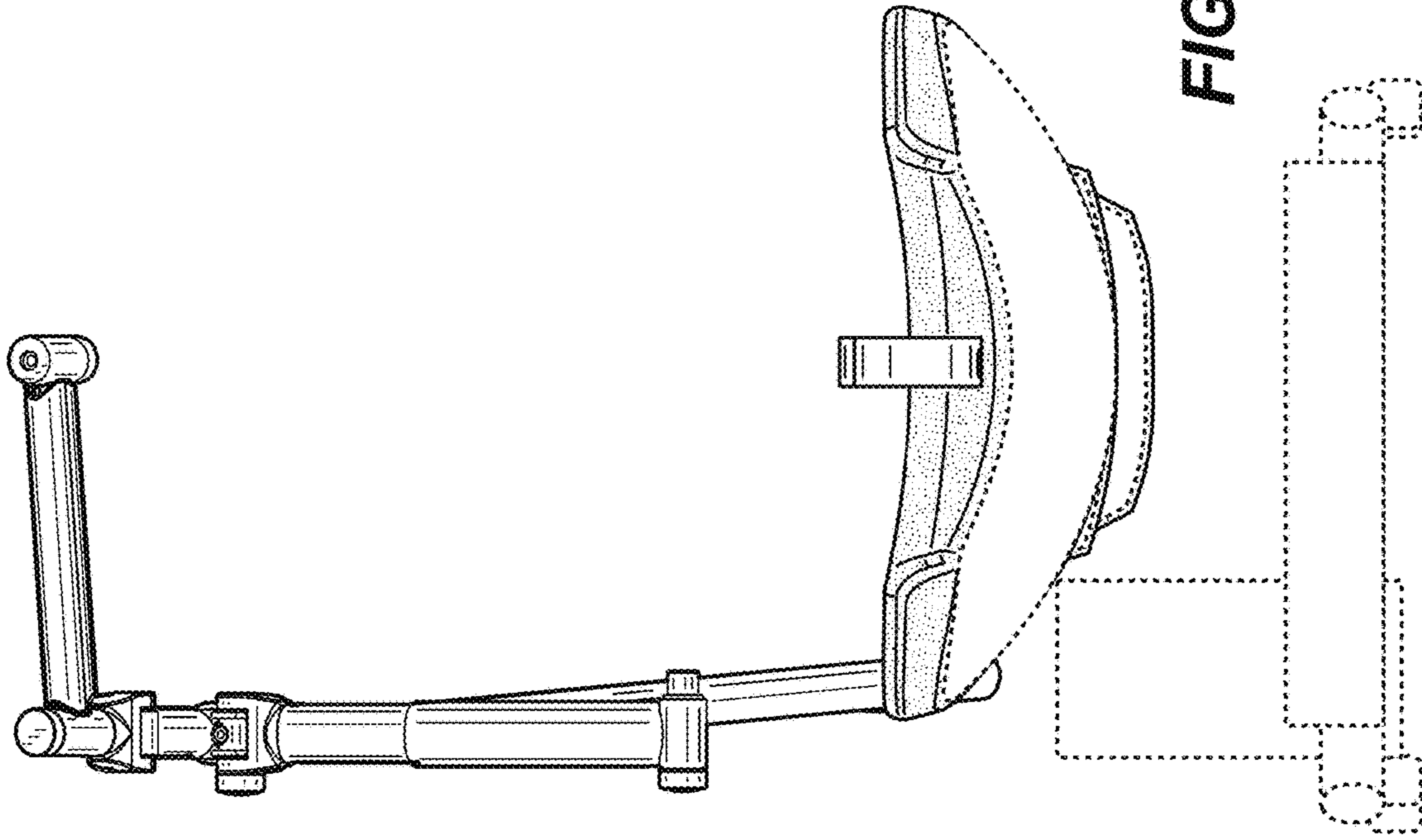


FIG. 24

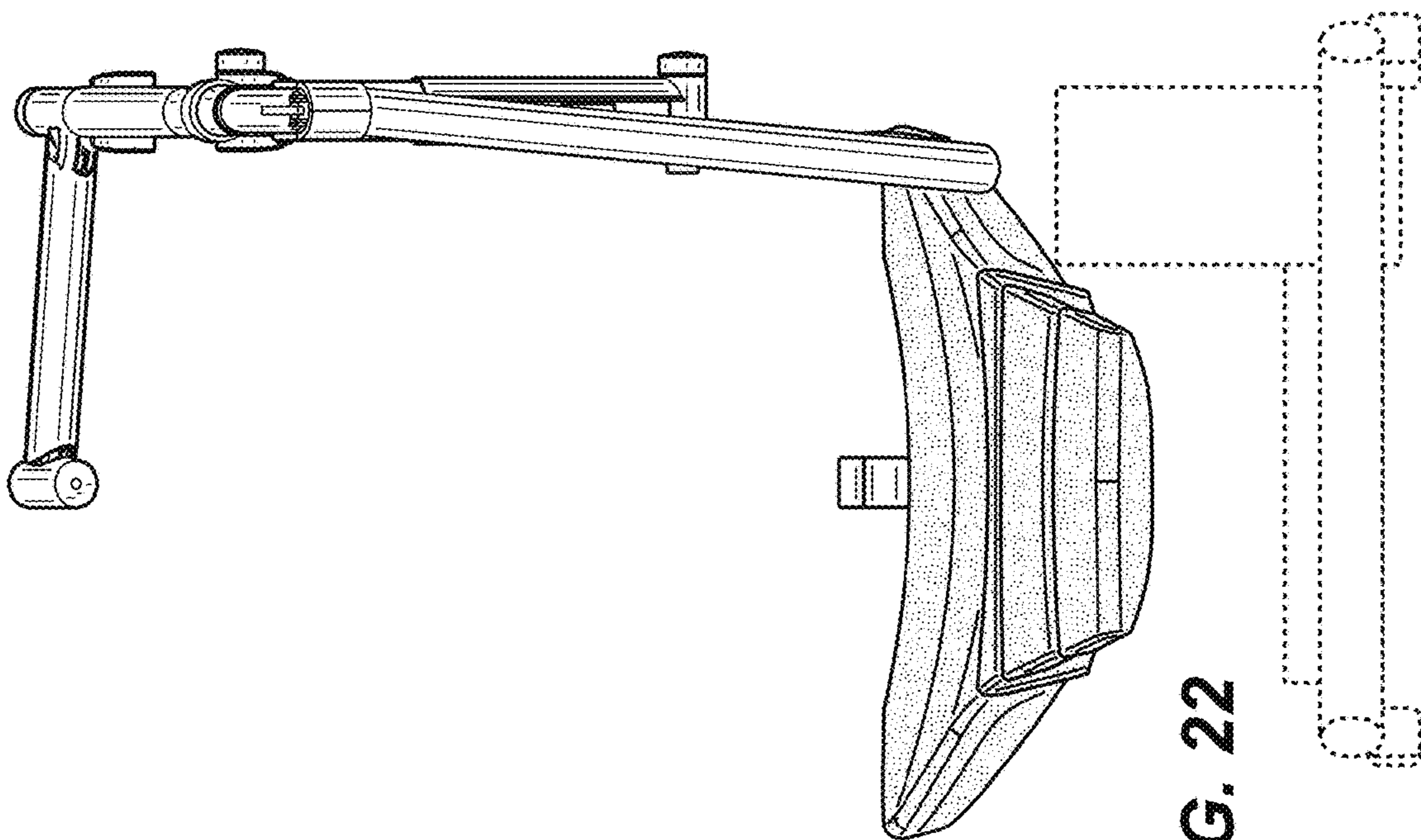


FIG. 22

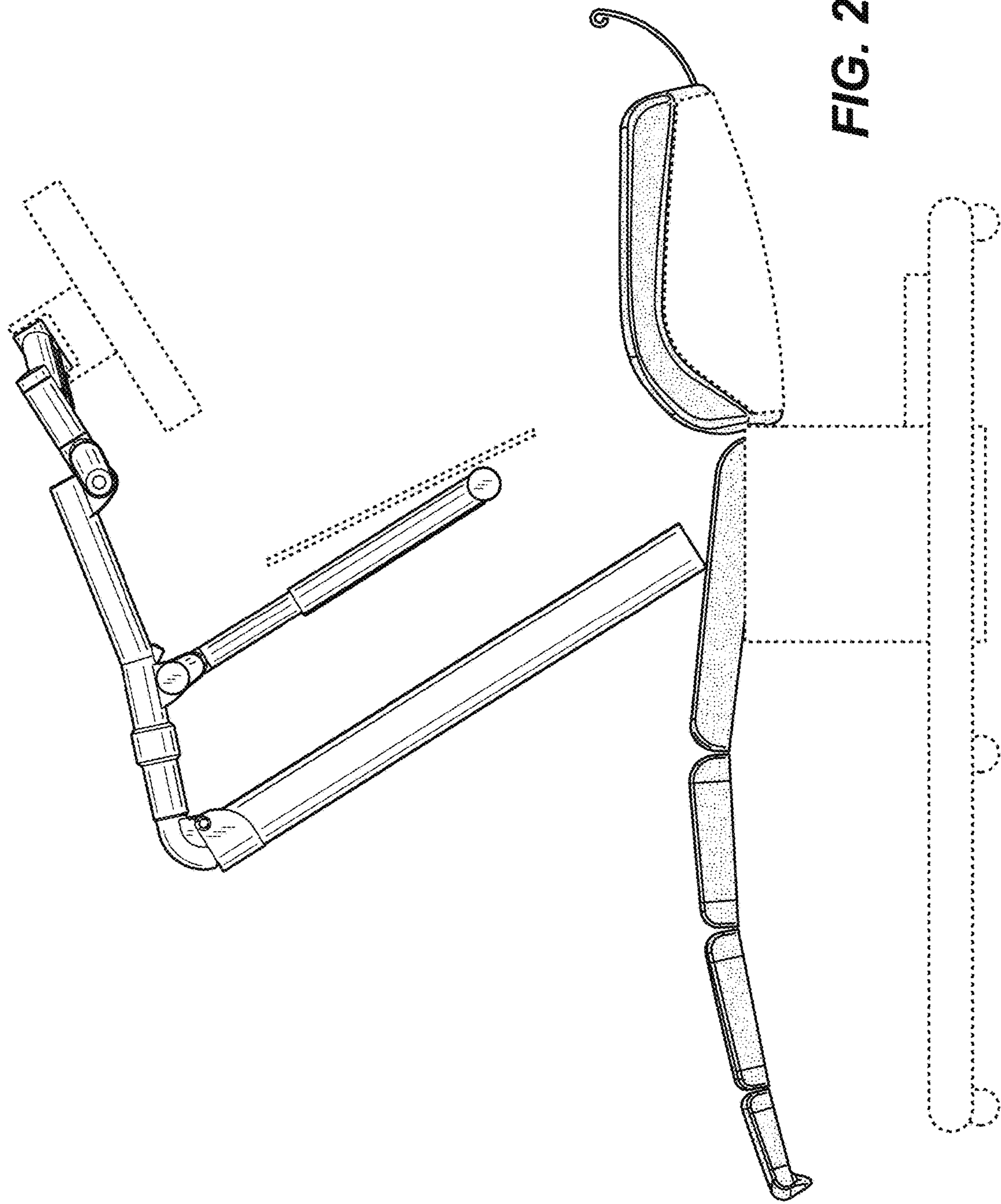


FIG. 23

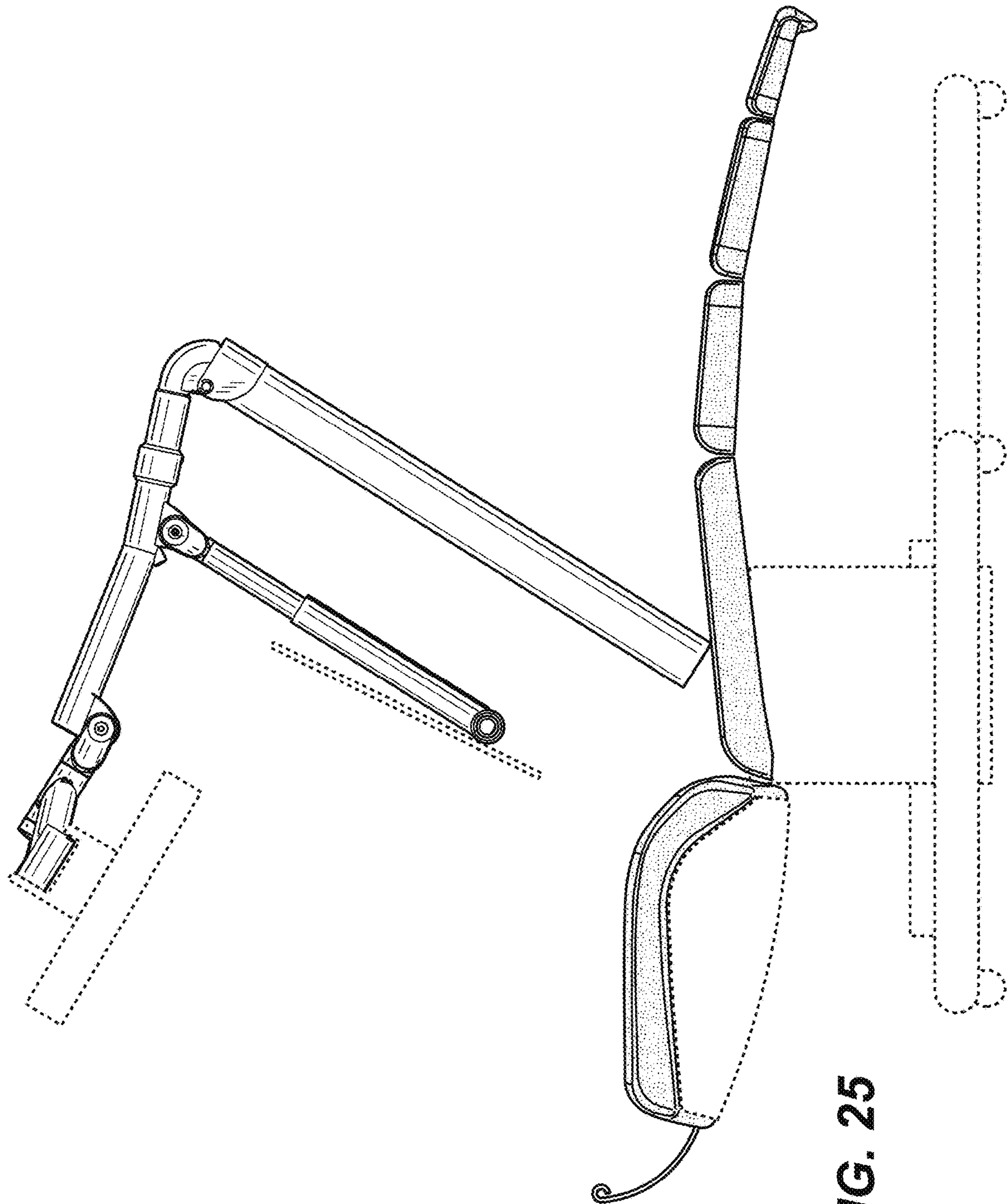


FIG. 25

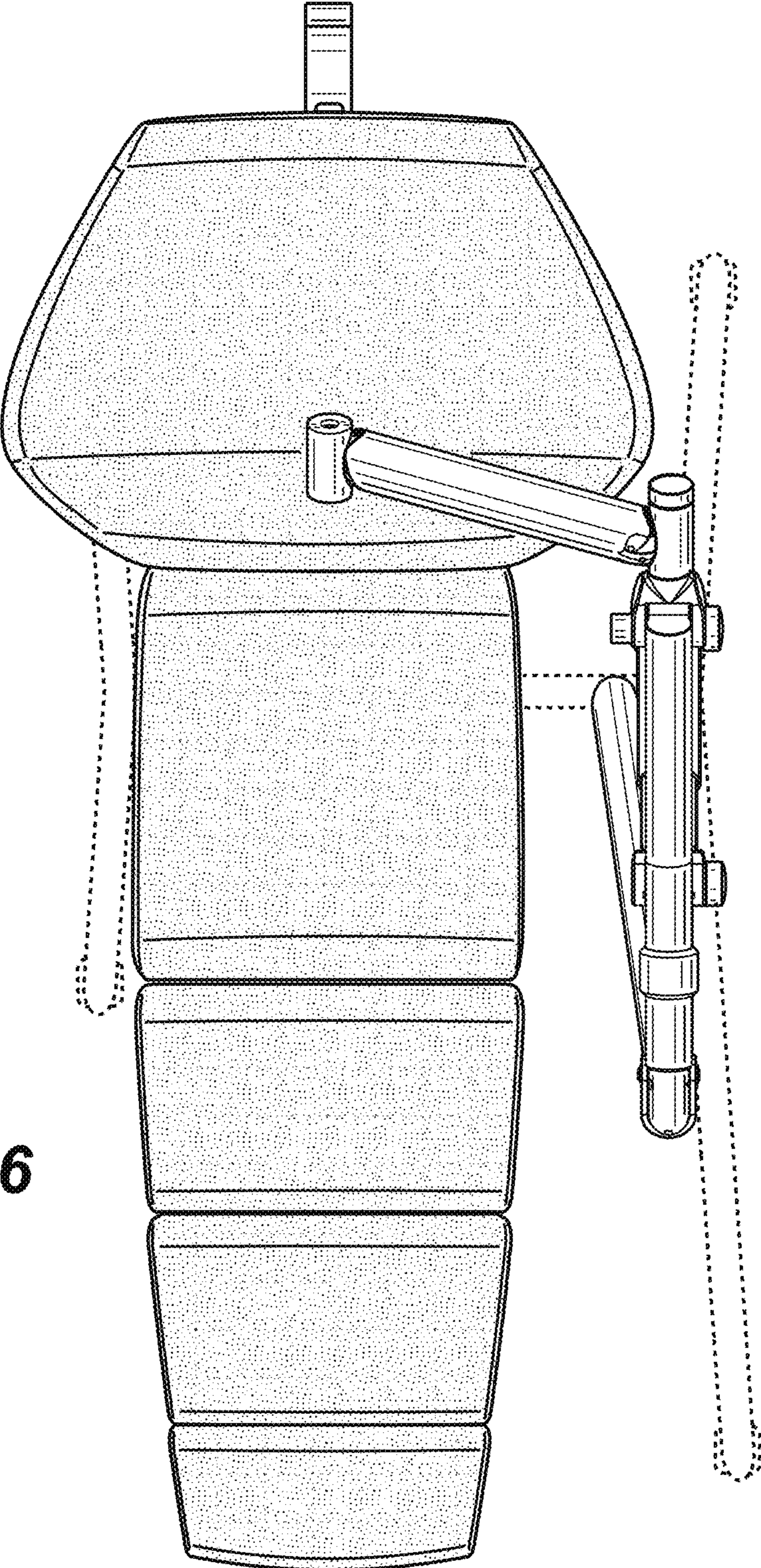


FIG. 26

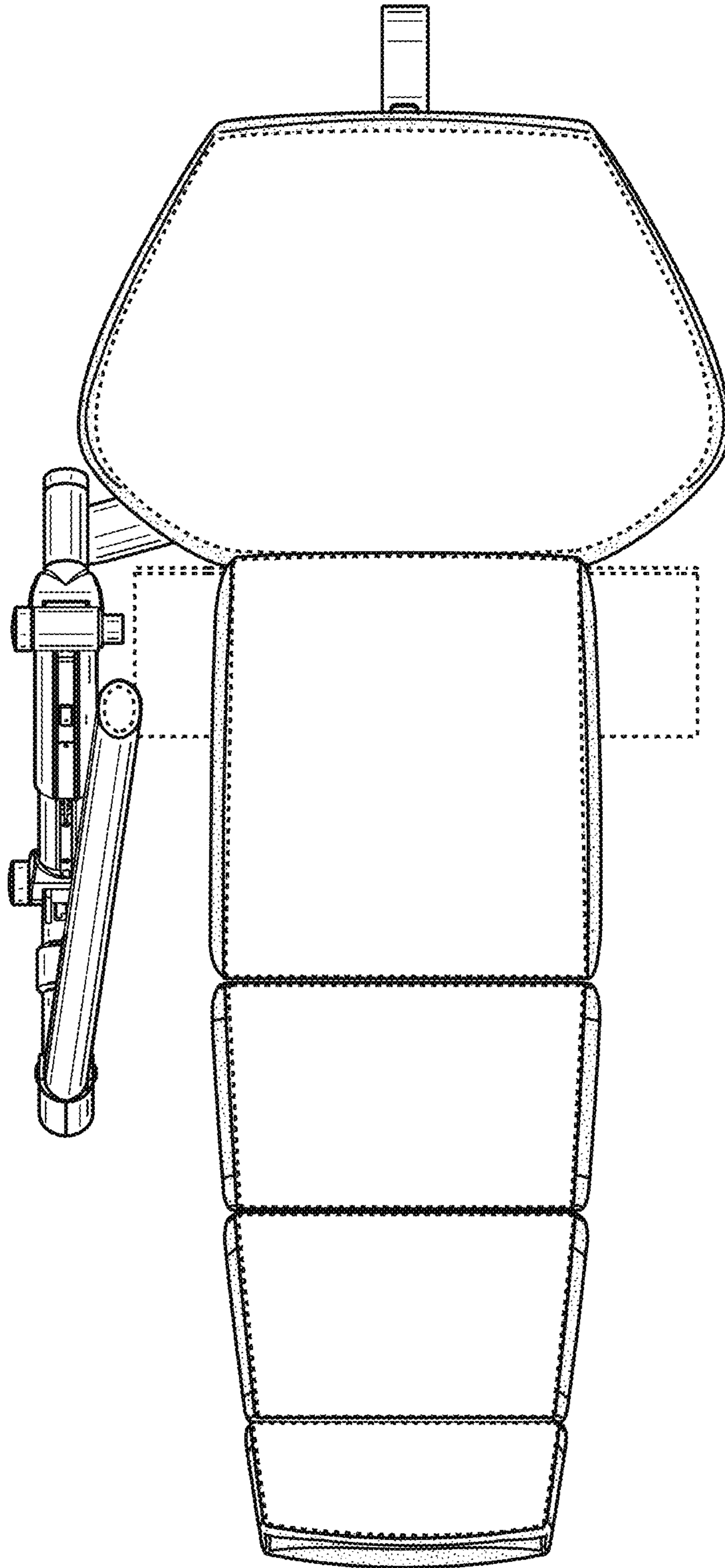


FIG. 27