



US00D789103S

(12) **United States Design Patent** (10) **Patent No.:** **US D789,103 S**
Webb (45) **Date of Patent:** **** Jun. 13, 2017**

(54) **FURNITURE**
(71) Applicant: **Roger Webb**, London (GB)
(72) Inventor: **Roger Webb**, London (GB)
(**) Term: **15 Years**
(21) Appl. No.: **29/552,073**
(22) Filed: **Jan. 20, 2016**

D761,576 S * 7/2016 Agati D6/338
D761,577 S * 7/2016 Agati D6/338
D764,826 S * 8/2016 Webb D6/381

(30) **Foreign Application Priority Data**

Jul. 24, 2015 (EM) 001437537

(51) **LOC (10) Cl.** **06-01**

(52) **U.S. Cl.**
USPC **D6/336**

(58) **Field of Classification Search**
USPC D6/334, 335, 336, 337, 338, 341, 349,
D6/355, 361, 367, 369, 374, 375, 376,
D6/378, 381, 384, 389, 708.1, 716, 716.1,
D6/716.2, 716.4, 716.5; D26/60, 93
CPC A47C 17/36; A47C 17/00; A47C 17/14;
A47C 7/42; A47C 13/005; A47C 17/12;
A47C 13/00; A47B 85/00; A47B 85/04;
A47B 17/00; A47B 87/00; A47B 87/02;
A47B 83/00; A47B 83/001; A47B
87/0215

See application file for complete search history.

(56) **References Cited**

U.S. PATENT DOCUMENTS

D179,454 S * 12/1956 Knobloch 297/170
D214,374 S * 6/1969 Winer D6/337
D537,263 S * 2/2007 Berry D6/381
D616,209 S * 5/2010 Singler D6/338
D701,052 S * 3/2014 Breij D6/336
D727,042 S * 4/2015 Wagner D6/338
D753,927 S * 4/2016 Webb D6/378

OTHER PUBLICATIONS

Tryst, posted at Connection.uk.com, posted on Sep. 8, 2016, [online], [site visited Oct. 6, 2016]. Available from Internet, <URL: <https://connection.uk.com/products/all-products/tryst/>>.*
Tryst Booth, posted at Specifiedby.com, posted on Mar. 10, 2015, [online], [site visited Oct. 6, 2016]. Available from Internet, <URL: <https://www.specifiedby.com/connection-seating/tryst-booth>>.*
Tryst Breakout Sofas from Connection, posted at D3interiors.co.uk, posted on Nov. 4, 2013, [online], [site visited Oct. 6, 2016]. Available from Internet, <URL: <http://www.d3interiors.co.uk/tryst-breakout-sofa-connection.html>>.*

(Continued)

Primary Examiner — Thomas Johannes

Assistant Examiner — Catherine Ho

(74) *Attorney, Agent, or Firm* — The Belles Group, P.C.

(57) **CLAIM**

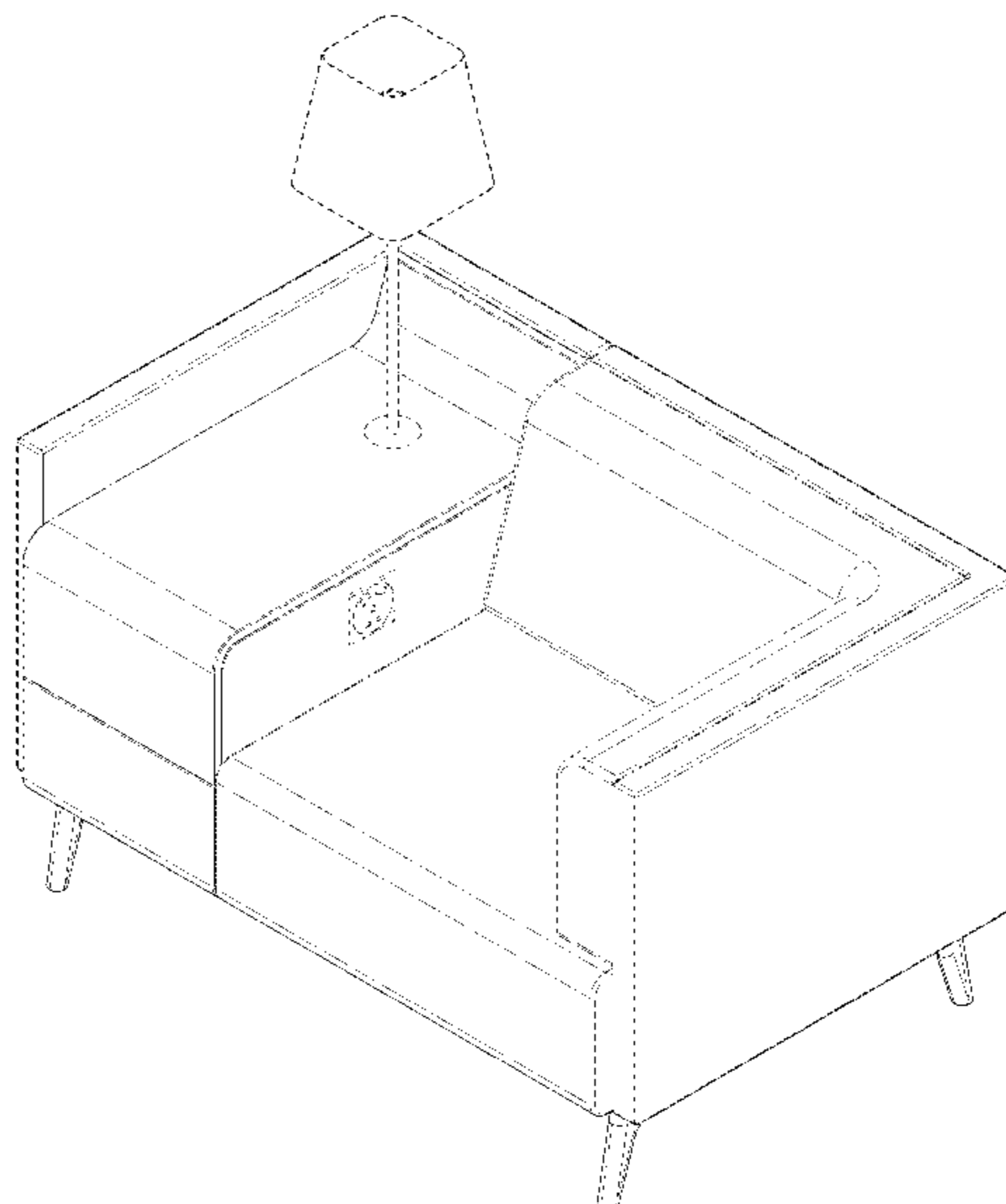
I claim the ornamental design for furniture, as shown and described.

DESCRIPTION

FIG. 1 is a front perspective view of furniture showing my new design;
FIG. 2 is a rear perspective view thereof;
FIG. 3 is a front view thereof;
FIG. 4 is a rear view thereof;
FIG. 5 is a right-side view thereof, the left-side view being a mirror image of the right-side view;
FIG. 6 is a top view thereof; and,
FIG. 7 is a bottom view thereof.

The broken line portion of the drawings is included to show portions of the article that form no part of the claimed design.

1 Claim, 7 Drawing Sheets



(56)

References Cited

OTHER PUBLICATIONS

Aspect Furniture Systems, posted at Aspectfurniture.com, posted on Jun. 5, 2014, [online], [site visited Oct. 6, 2016]. Available from Internet, <URL: <http://aspectfurniture.com/products/think>>.*

* cited by examiner

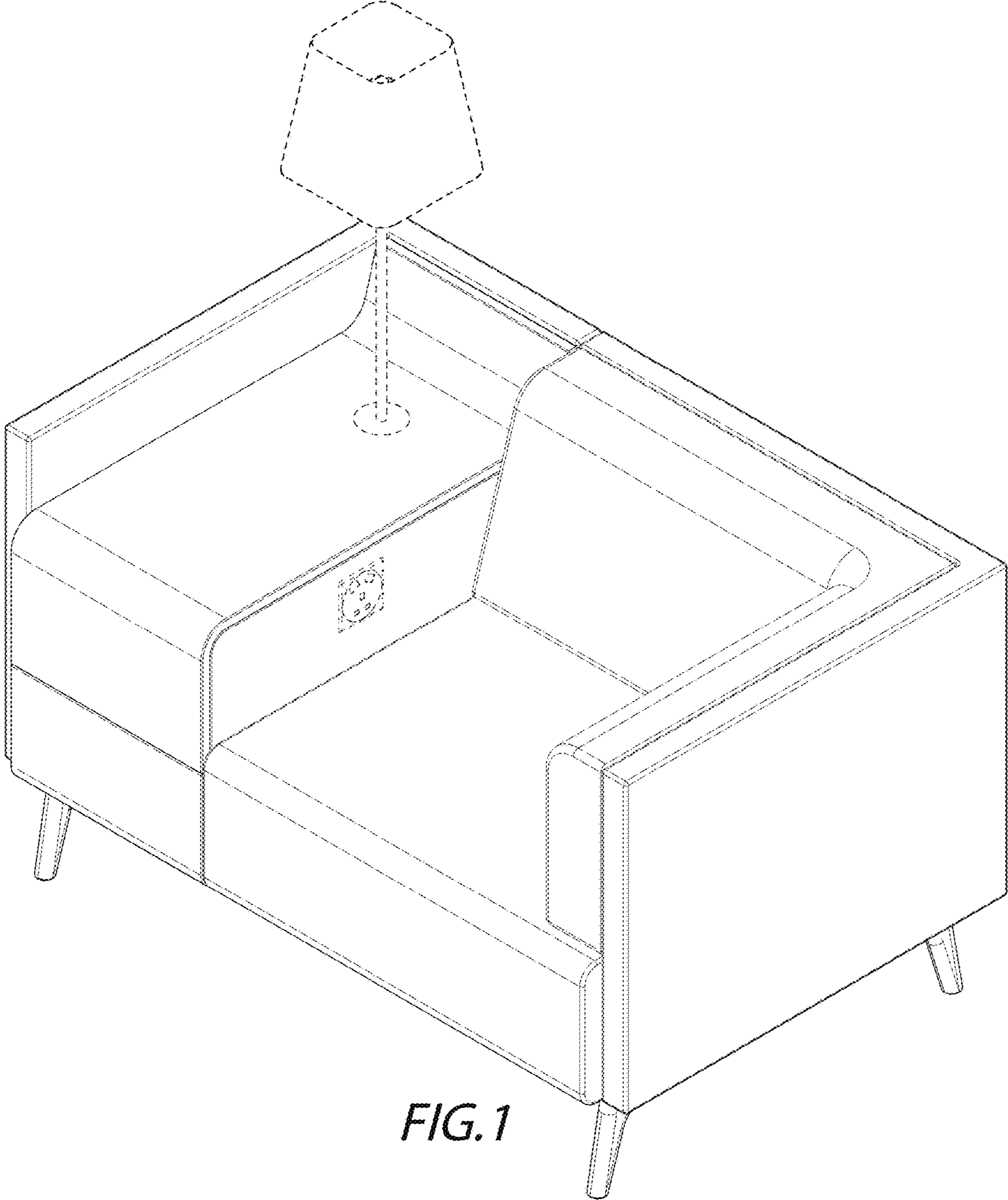


FIG. 1

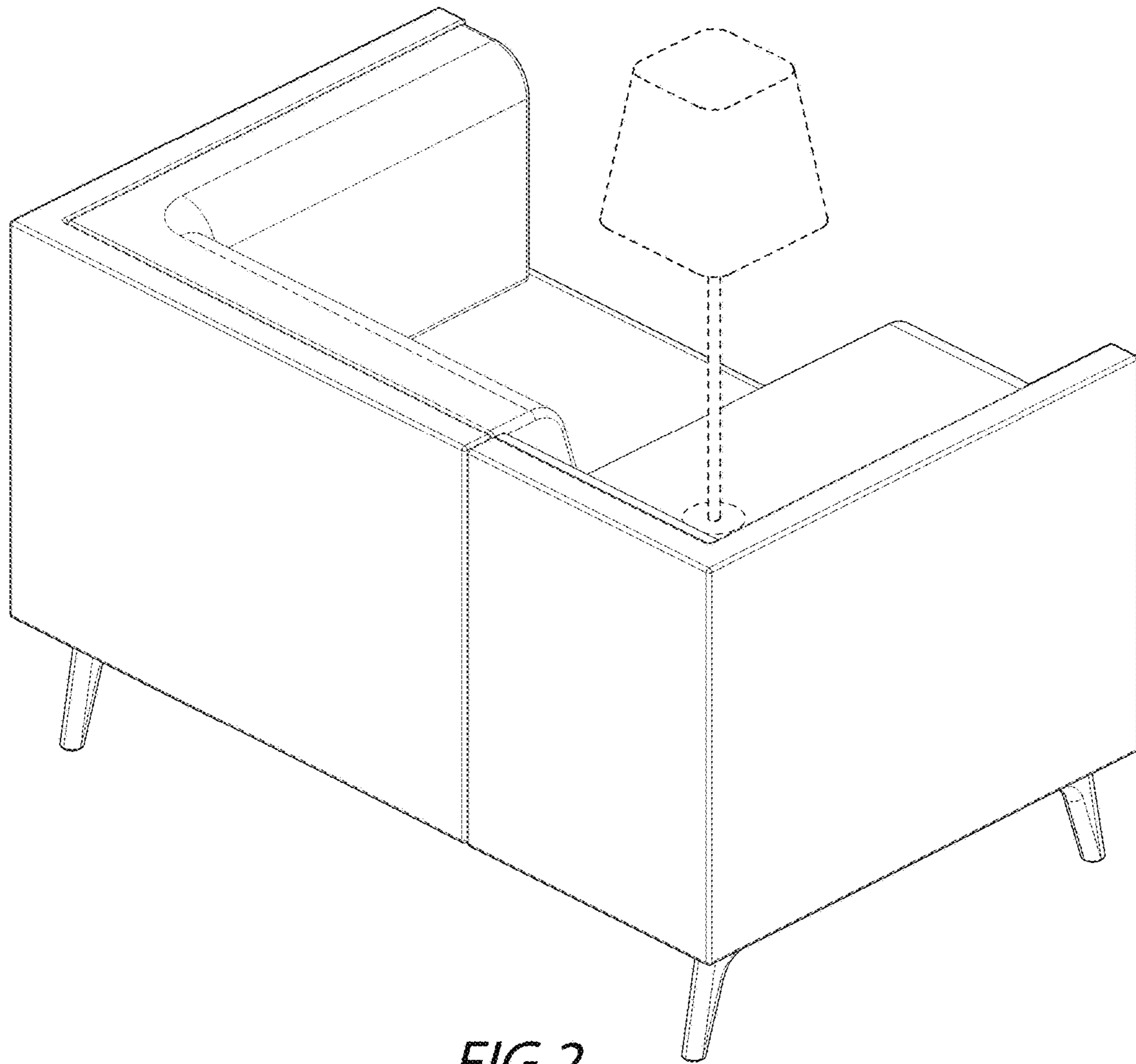


FIG.2

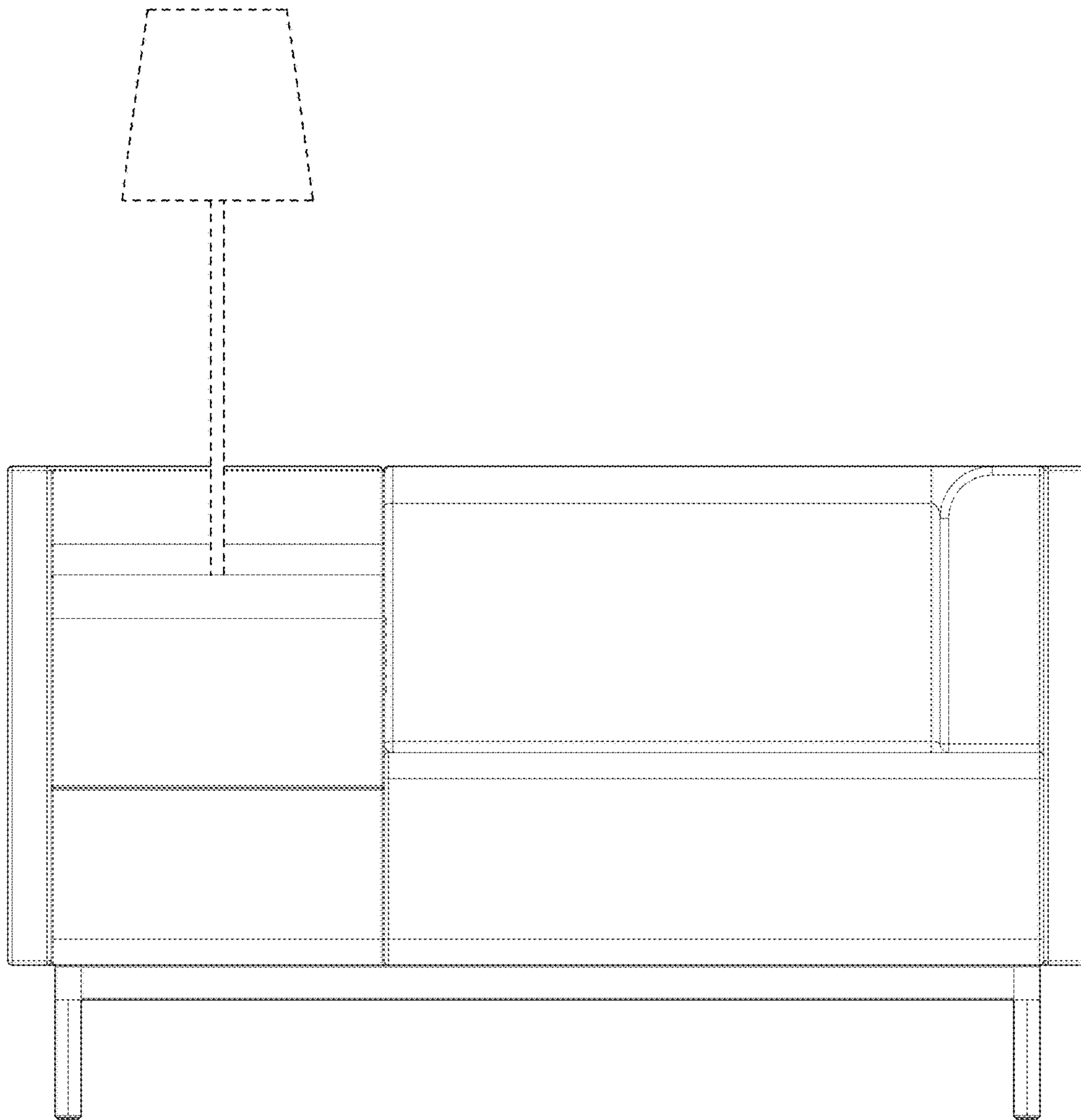


FIG. 3

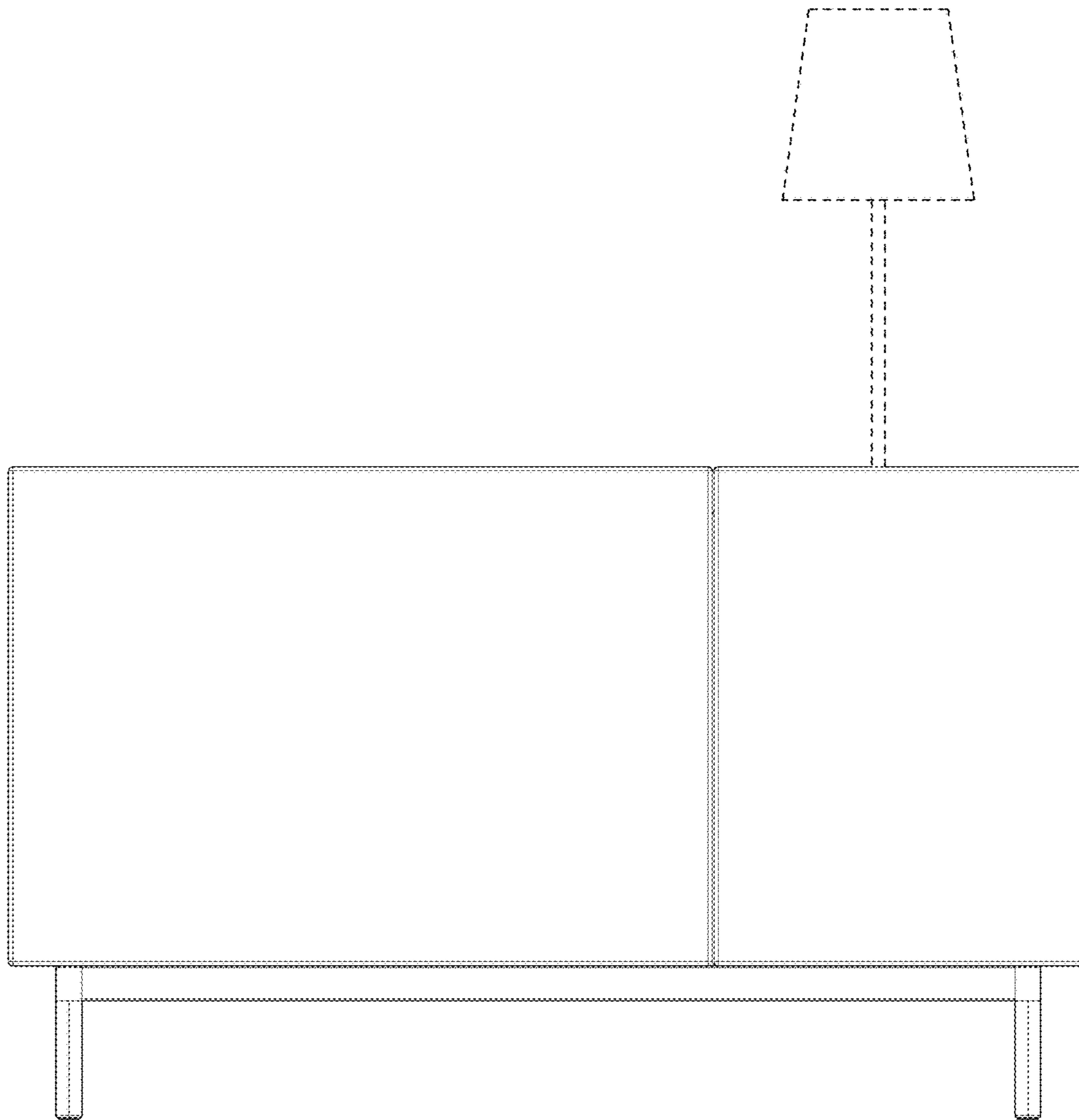


FIG. 4

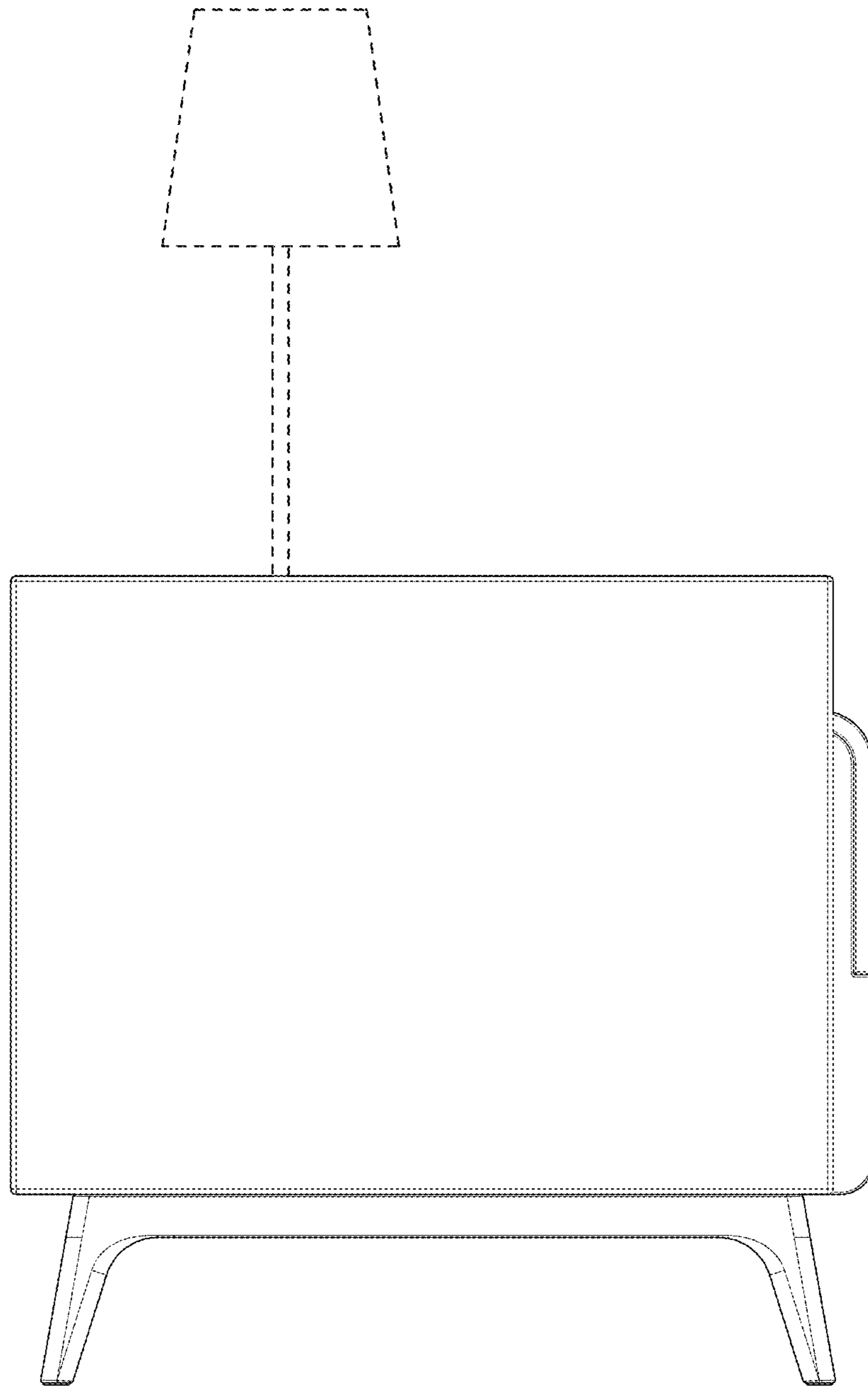


FIG. 5

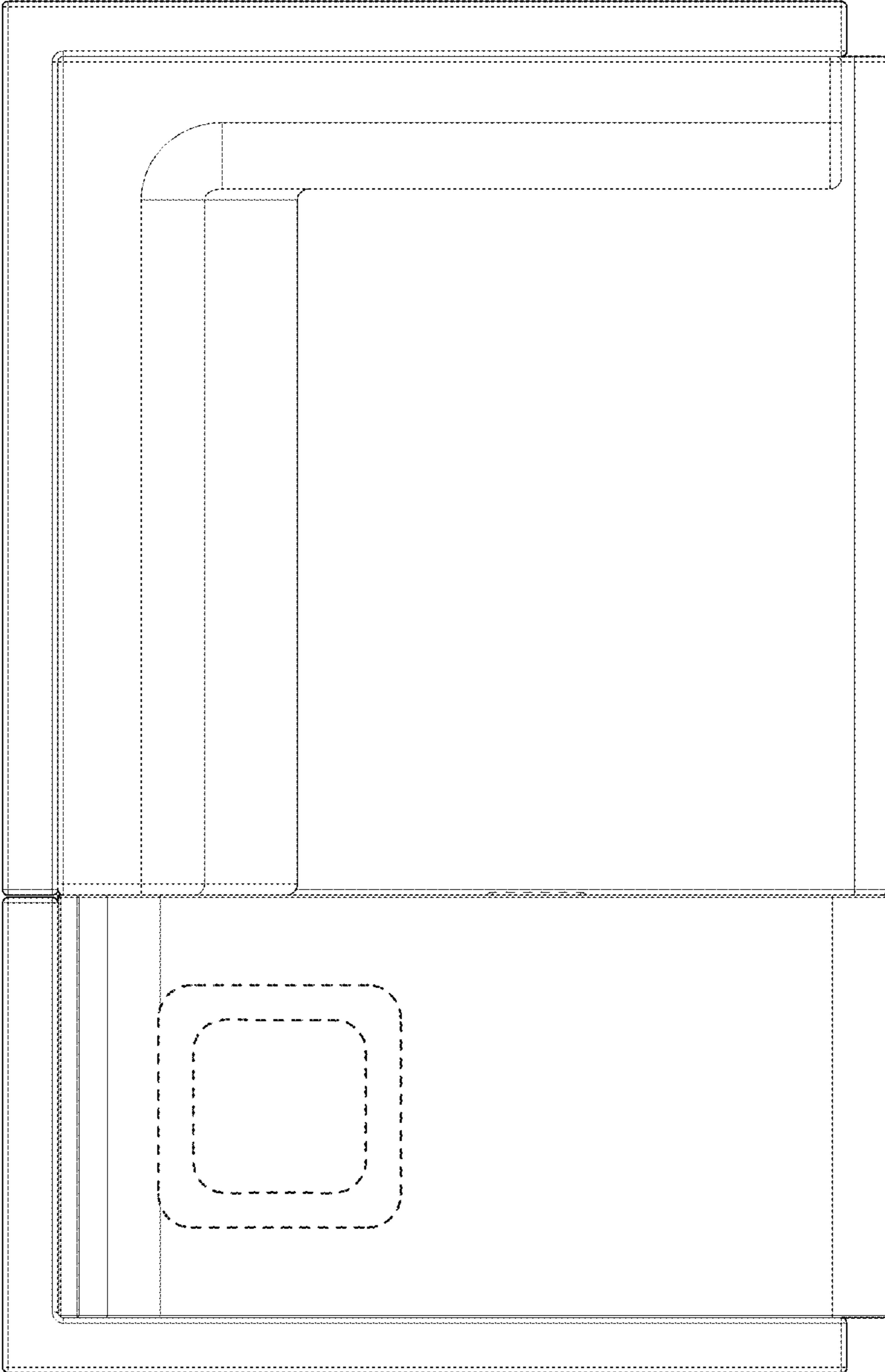


FIG.6

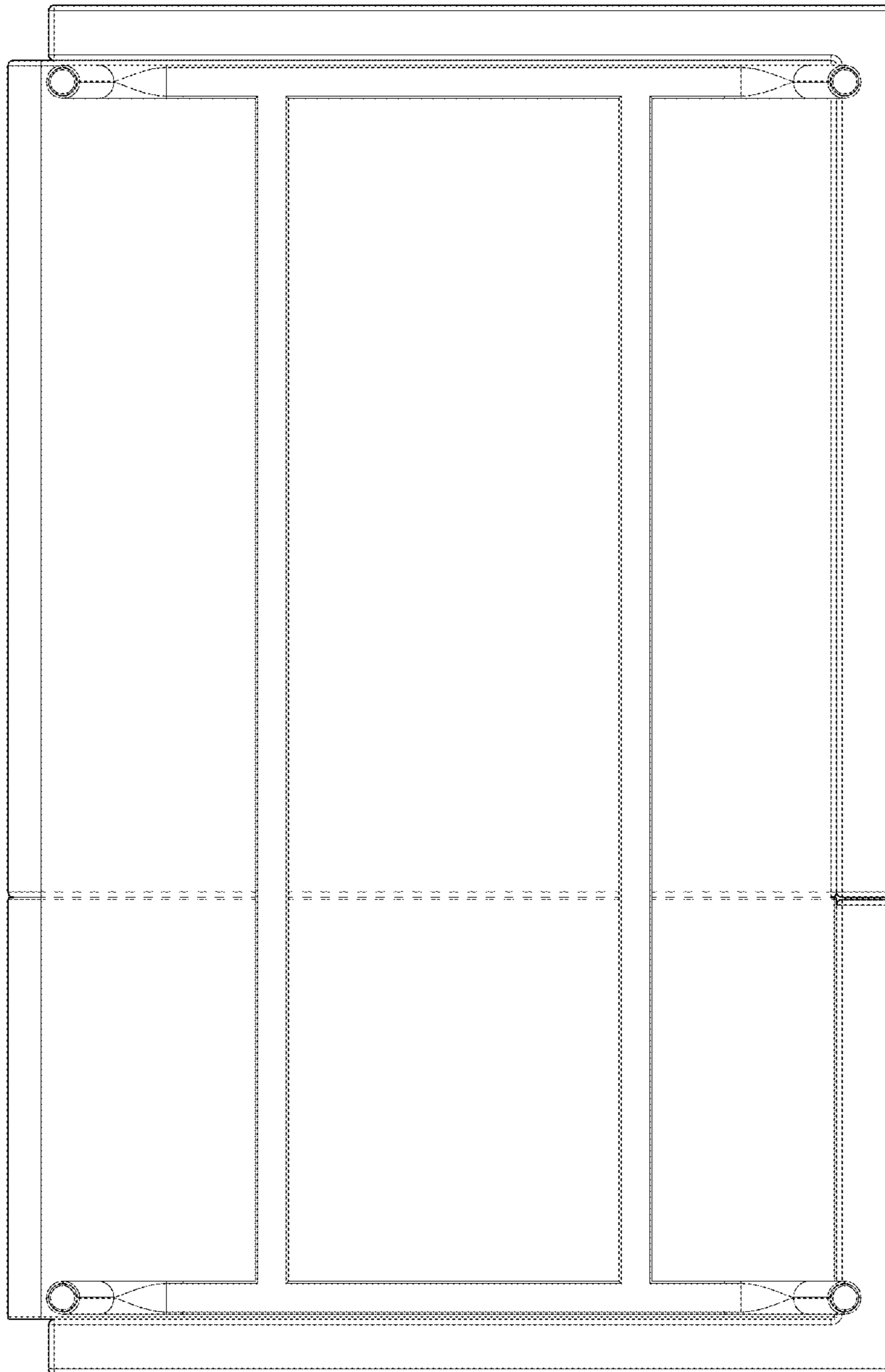


FIG.7