



US00D789102S

(12) **United States Design Patent**
Johnson

(10) **Patent No.:** **US D789,102 S**
(45) **Date of Patent:** **** Jun. 13, 2017**

(54) **SALON DRYER CHAIR**

(71) Applicant: **Dana Johnson**, Covington, GA (US)

(72) Inventor: **Dana Johnson**, Covington, GA (US)

(73) Assignee: **Dana Johnson**, Covington, GA (US)

(**) Term: **15 Years**

(21) Appl. No.: **29/505,551**

(22) Filed: **Dec. 21, 2015**

(51) **LOC (10) Cl.** **06-01**

(52) **U.S. Cl.**
USPC **D6/335**

(58) **Field of Classification Search**
USPC D6/334, 335, 336, 337, 338, 341, 349,
D6/355, 361, 367, 369, 374, 375, 376,
D6/378, 381, 384, 389, 708.1, 716, 716.1,
D6/716.2, 716.4, 716.5; 34/90, 99, 100,
34/283; 132/212; 194/307; 297/217.3
CPC .. A47C 1/04; A47C 1/00; A45D 20/12; A45D
20/18; A45D 20/00; A45D 20/30; A45D
20/44; D06F 58/26; D06F 58/20; G05D
23/20; G05D 23/24; A61H 1/00; A61H
23/02; G07F 17/00; G07F 15/00; G07F
15/12; G07F 5/10; G07F 5/00
See application file for complete search history.

3,426,441 A * 2/1969 Broski A45D 20/30
219/501

3,948,379 A * 4/1976 Warner A61H 23/0254
132/212

3,972,126 A * 8/1976 DeMuro

7,353,620 B1 * 4/2008 Houston A45D 20/08
34/90

8,132,572 B2 * 3/2012 Kawabata A45D 44/02
132/223

8,230,615 B1 * 7/2012 Fletcher A45D 20/00
34/283

8,938,888 B1 * 1/2015 Brown A45D 20/32
132/212

2007/0101604 A1 * 5/2007 Brazier A45D 20/42
34/96

OTHER PUBLICATIONS

Savvy SAV-006-B Dryer Chair, posted at Wholesalaloneequipment.com, posted on Jul. 16, 2010, [online], [site visited Oct. 5, 2016]. Available from Internet, <URL: <http://www. wholesalalonequipment.com/brands/savvy/savvy-006-b-dryer-chair-only.html>>.*

(Continued)

Primary Examiner — Thomas Johannes
Assistant Examiner — Catherine Ho

(57) **CLAIM**

I claim the ornamental design for the salon dryer chair, as shown and described.

DESCRIPTION

FIG. 1: is the front right perspective elevation view of the salon dryer chair;
FIG. 2: is the left elevation view thereof;
FIG. 3: is the front elevation view thereof; and,
FIG. 4: is the right elevation view thereof.
The broken line portion of the figure drawings is included to show portions of the article that forms no part of the claimed design.

1 Claim, 4 Drawing Sheets

(56) **References Cited**

U.S. PATENT DOCUMENTS

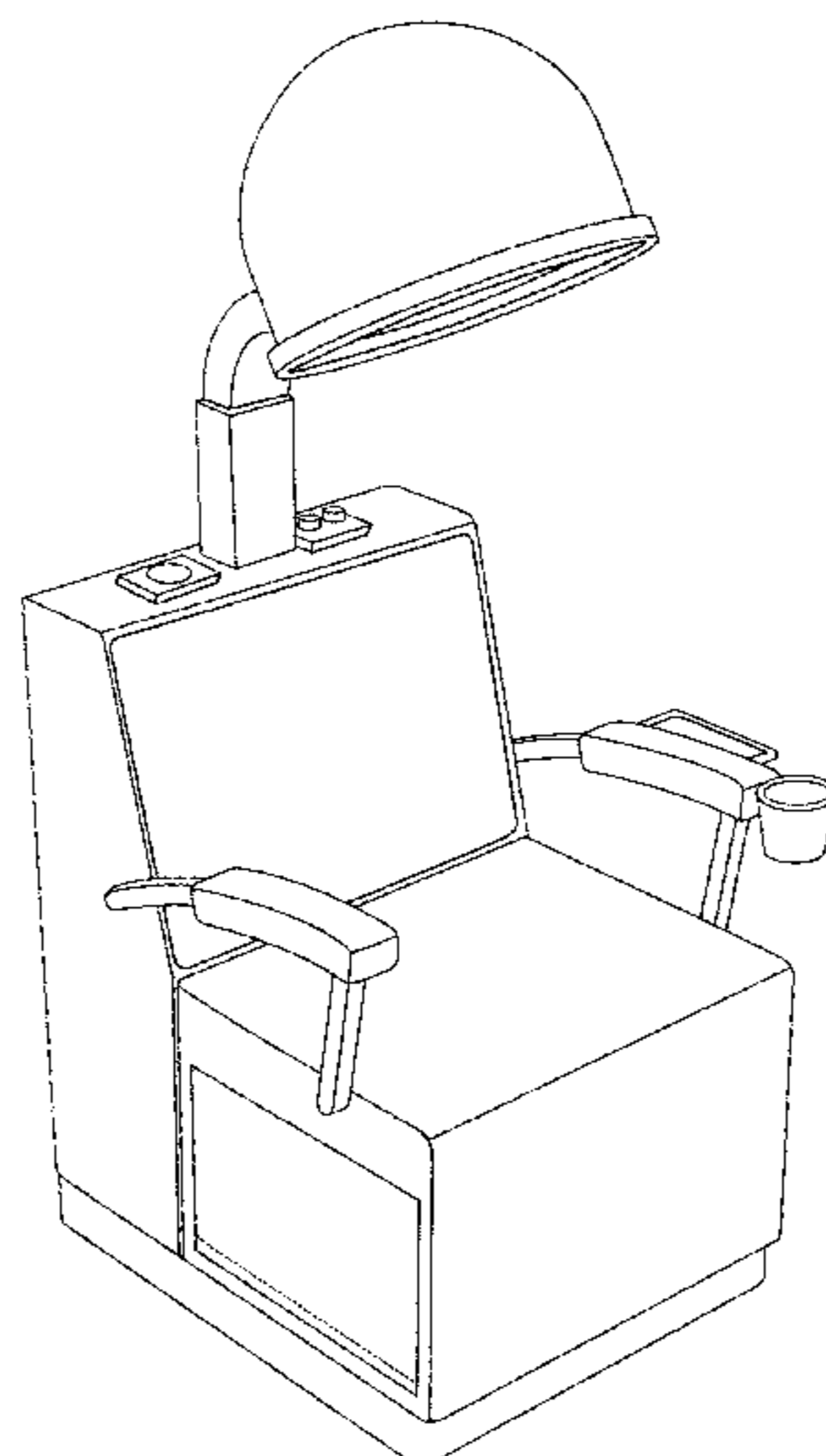
3,007,736 A * 11/1961 Watlington A47C 13/00
297/180.14

3,058,231 A * 10/1962 Romito A45D 20/44
297/180.14

D198,020 S * 4/1964 Weinberg D28/15

3,248,146 A * 4/1966 Cowen, Jr. A47C 1/04
297/180.14

3,300,872 A * 1/1967 Thieblot A45D 20/30
34/99



(56)

References Cited

OTHER PUBLICATIONS

Hair Dryer Chair-Model # HD-400, posted at BsfSalon.com, posted on May 21, 2011, [online], [site visited Oct. 5, 2016]. Available from Internet, <URL: http://bsfsalon.com/index.php?route=product/product&product_id=1263>.*

2 Vintage Beauty Parlor Hair Dryer Chairs, posted at Ancientpoint.com, posted on Nov. 18, 2013, [online], [site visited Oct. 5, 2016] Available from Internet, <URL: http://web.archive.org/web/20131118071216/http://ancientpoint.com/inf/72220-2_vintage_beauty_parlor_hair_dryer_chairs_helene_curtis_milo_both_work_great.html>.*

Kate Dryer & Chair Combo, posted at Buyritebeauty.com, posted on Jun. 1, 2012, [online], [site visited Oct. 5, 2016]. Available from Internet, <URL: <https://www.buyritebeauty.com/kate-dryer-chair-combo/>>.*

* cited by examiner

Fig. 1

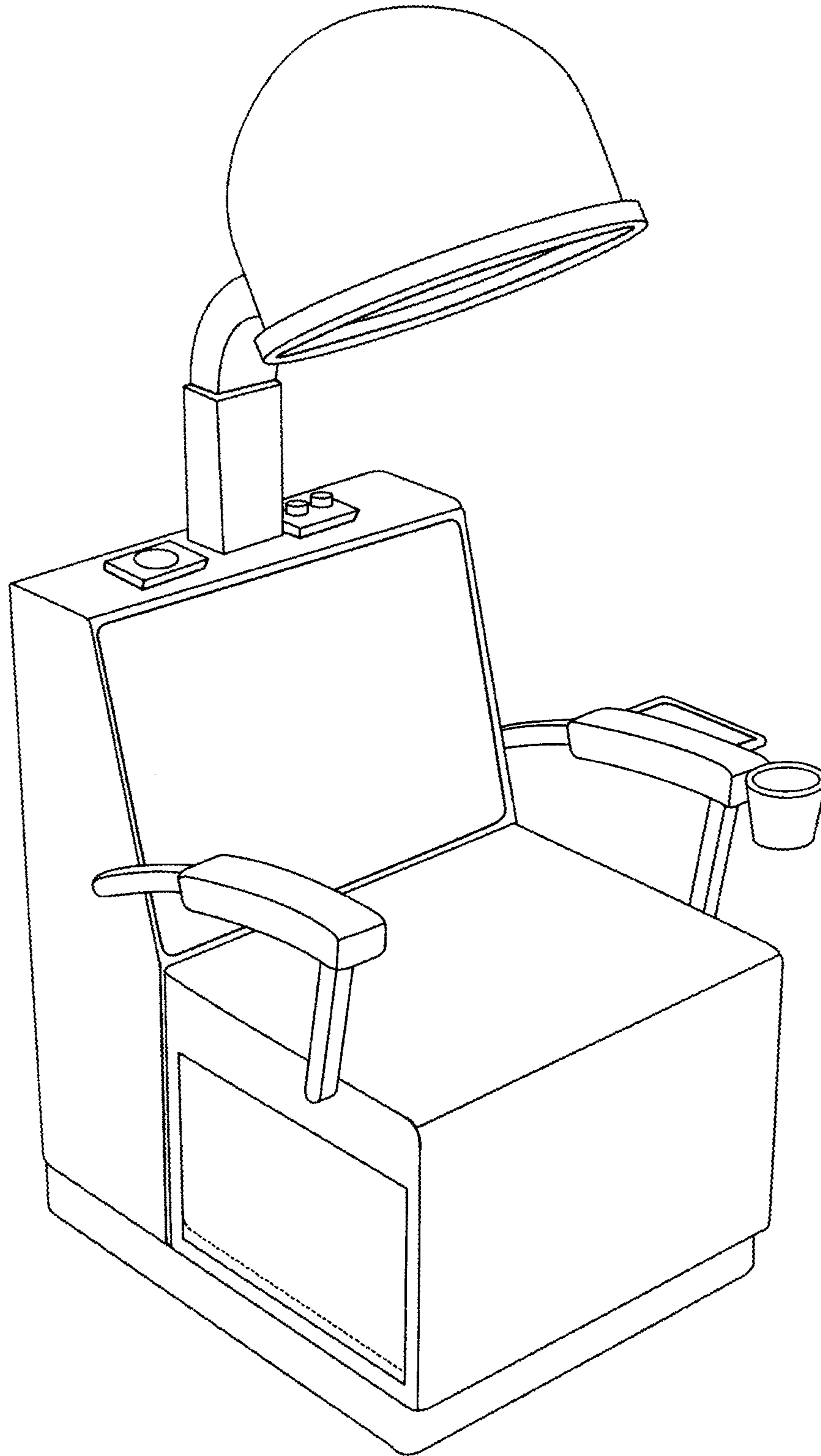


Fig. 2

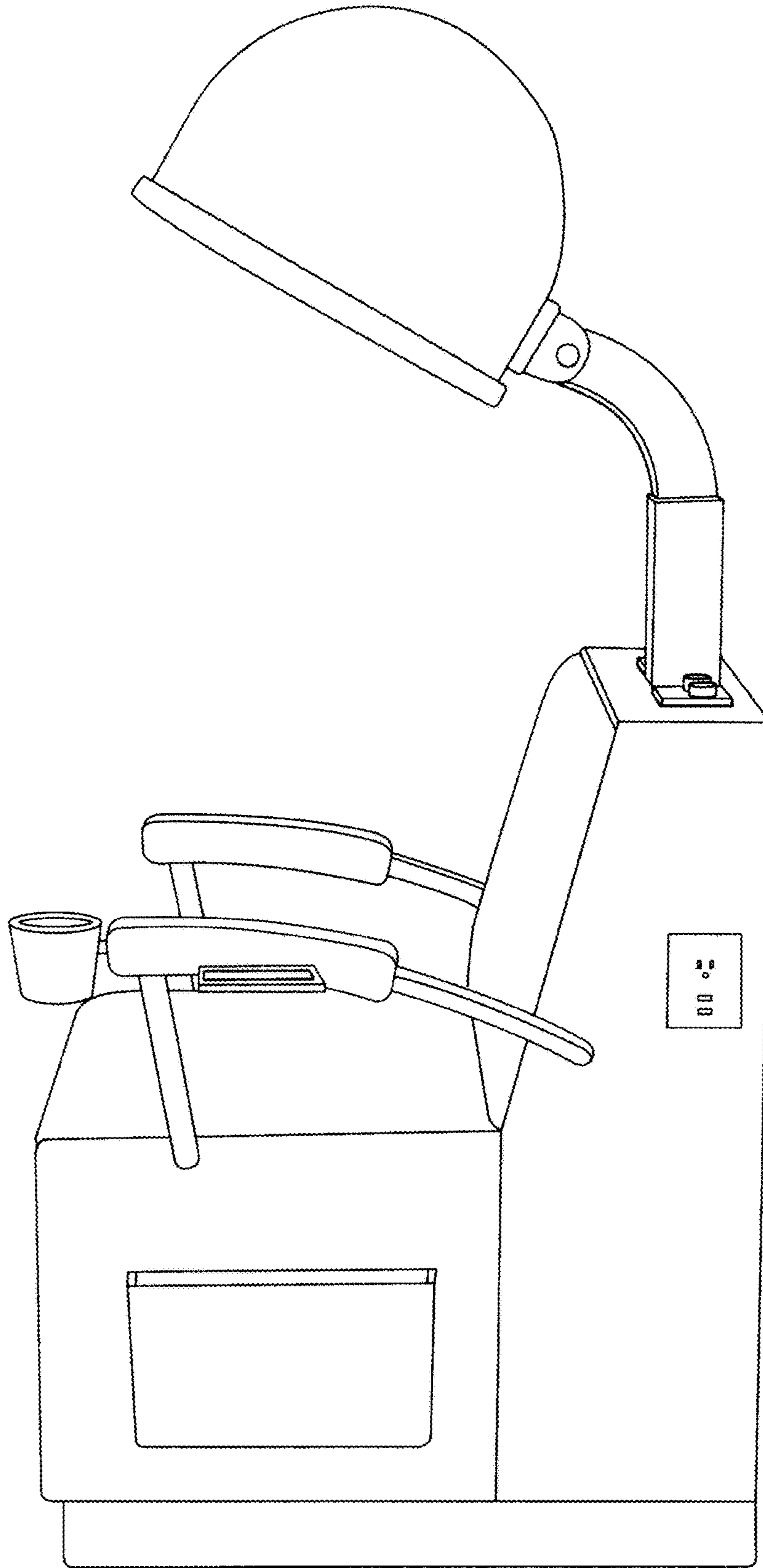


Fig. 3

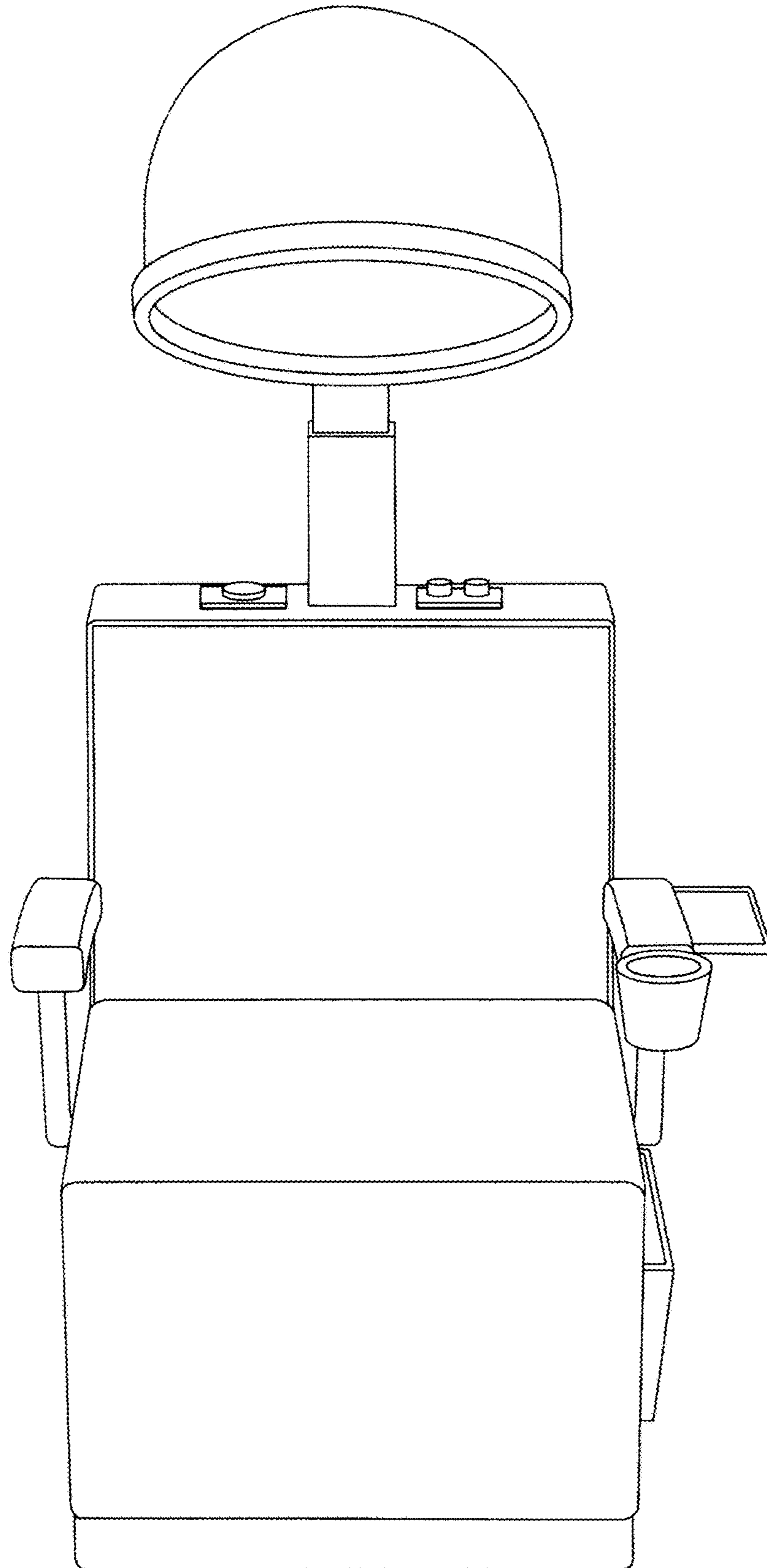


Fig. 4

