



US00D789100S

(12) **United States Design Patent**  
**Gorman et al.**

(10) **Patent No.:** **US D789,100 S**  
(45) **Date of Patent:** **\*\* Jun. 13, 2017**

(54) **DISPLAY STAND**

(71) Applicant: **Apple Inc.**, Cupertino, CA (US)

(72) Inventors: **Michael Gorman**, Dublin, CA (US);  
**Gabriel Lamb**, San Francisco, CA (US);  
**Manuel Reza**, Sunnyvale, CA (US);  
**Mi Zou**, San Francisco, CA (US)

(73) Assignee: **Apple Inc.**, Cupertino, CA (US)

(\*\*) Term: **15 Years**

(21) Appl. No.: **29/557,359**

(22) Filed: **Mar. 8, 2016**

(51) **LOC (10) Cl.** ..... **06-07**

(52) **U.S. Cl.**  
USPC ..... **D6/313**

(58) **Field of Classification Search**  
USPC ..... D6/310, 312, 513, 552, 682, 313;  
D21/702, 822, 826; D24/184, 231, 169;  
D34/33, 35; D23/295  
CPC ..... A47G 1/16  
See application file for complete search history.

(56) **References Cited**

**U.S. PATENT DOCUMENTS**

D384,469 S *	9/1997	De Deyne	.....	D34/28
D483,429 S *	12/2003	Tseng	.....	D21/823
D590,833 S *	4/2009	O'Connor	.....	D14/447
D679,280 S *	4/2013	Lewis	.....	D14/447
D683,141 S *	5/2013	Symons	.....	D14/447
D722,067 S *	2/2015	Jung	.....	D14/451
D729,554 S *	5/2015	Denby	.....	D6/681
D736,548 S *	8/2015	Hornsby	.....	D6/681.1
D753,940 S *	4/2016	Ruiz	.....	D6/681

D777,852 S *	1/2017	Crawley	.....	D21/699
2006/0065615 A1 *	3/2006	Wang	.....	A47B 91/02 211/206
2012/0074082 A1 *	3/2012	Hornsby	.....	A47G 25/0685 211/85.3
2015/0008201 A1 *	1/2015	Qiang	.....	A47F 7/24 211/85.3

\* cited by examiner

*Primary Examiner* — Mark Goodwin

*Assistant Examiner* — Melvin Davis

(74) *Attorney, Agent, or Firm* — Sterne, Kessler,  
Goldstein & Fox P.L.L.C.

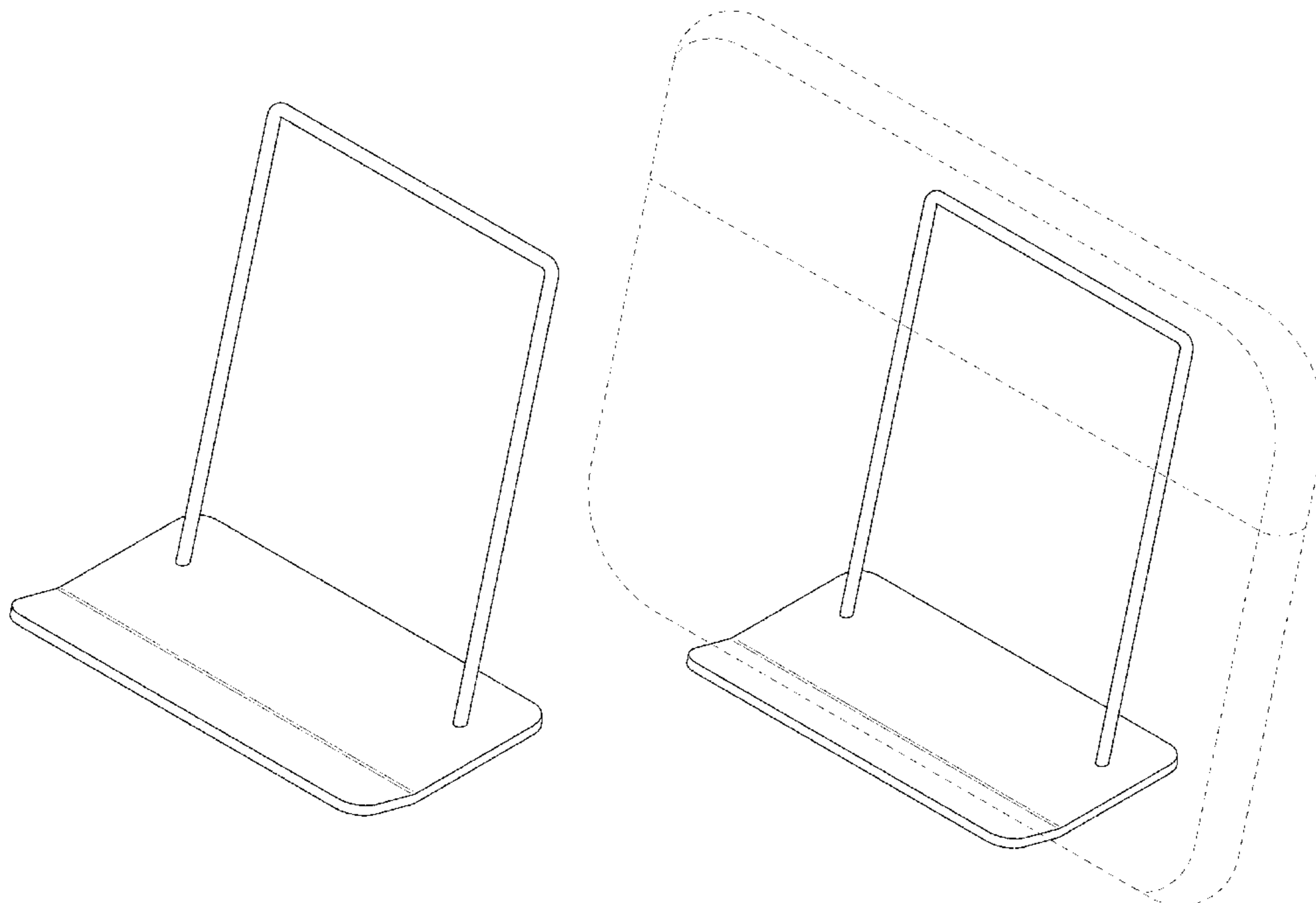
(57) **CLAIM**

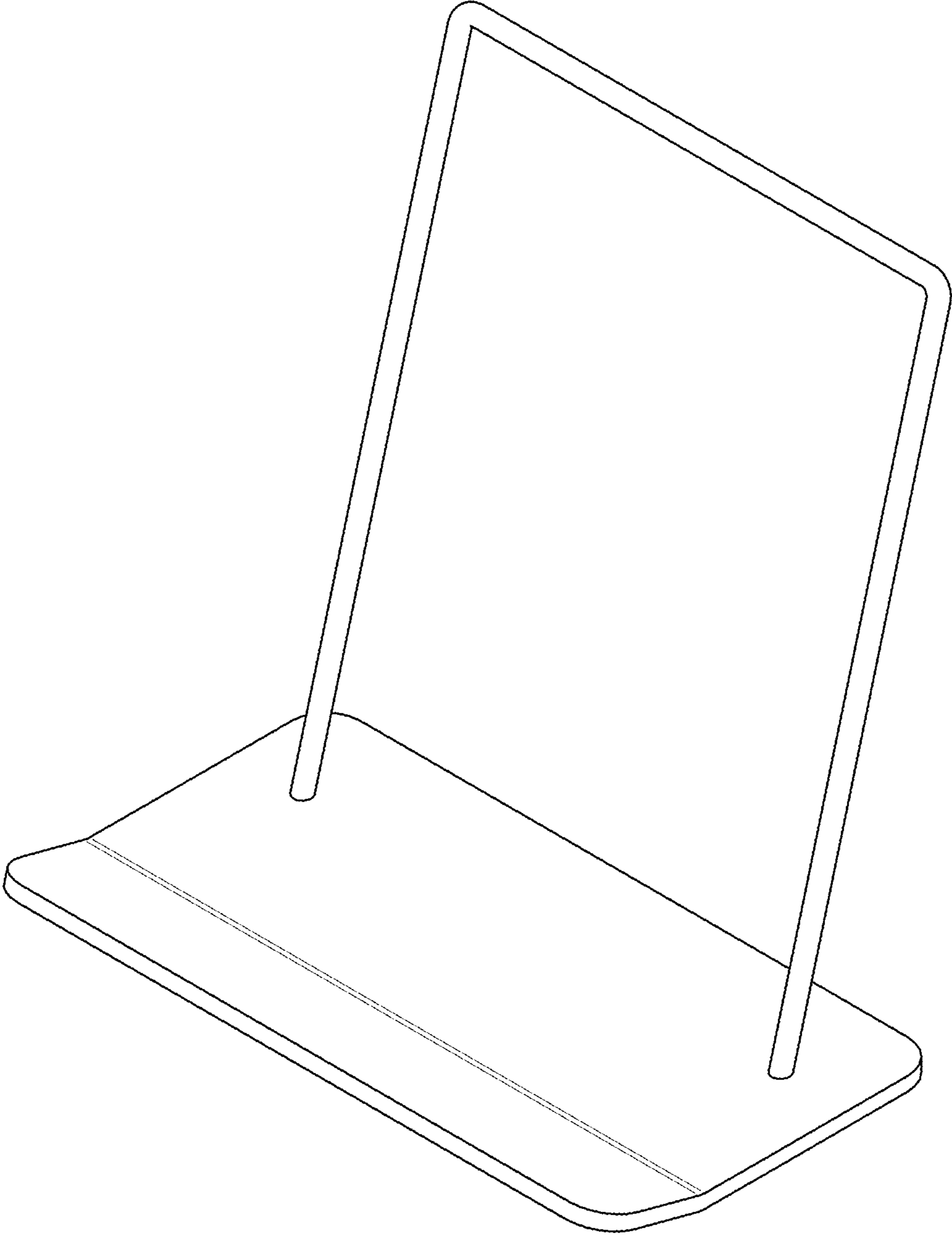
The ornamental design for a display stand, as shown and described.

**DESCRIPTION**

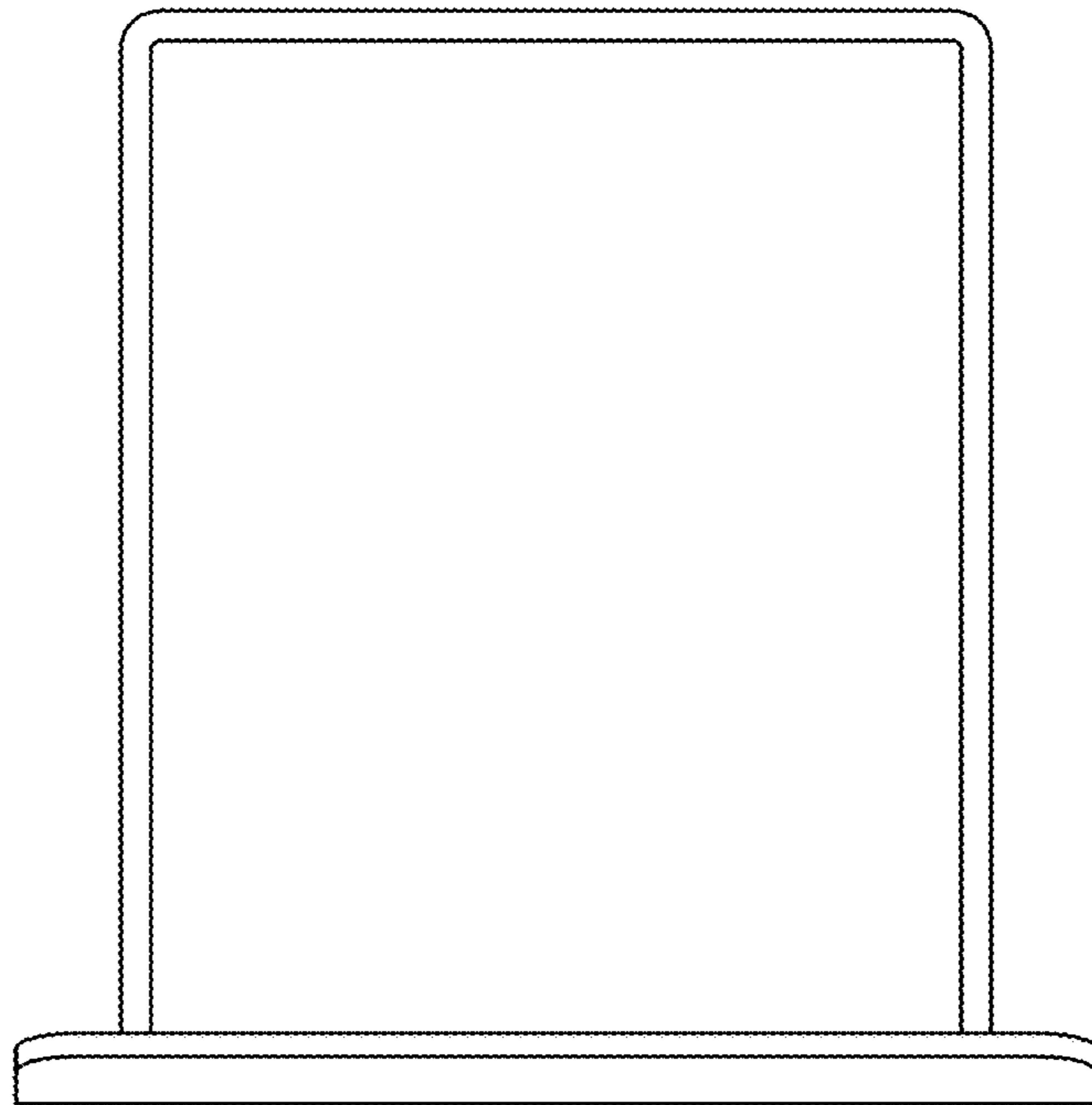
FIG. 1 is a top front perspective view of a display stand showing the claimed design;  
FIG. 2 is a front view thereof;  
FIG. 3 is a rear view thereof;  
FIG. 4 is a left side view thereof;  
FIG. 5 is a right side view thereof;  
FIG. 6 is a top view thereof;  
FIG. 7 is a bottom view thereof; and,  
FIG. 8 is a top front perspective view thereof in an environment in which it may be used.  
The broken lines in the figures show portions of the display stand that form no part of the claimed design.  
The shade lines in the figures show contour and not surface ornamentation.

**1 Claim, 5 Drawing Sheets**

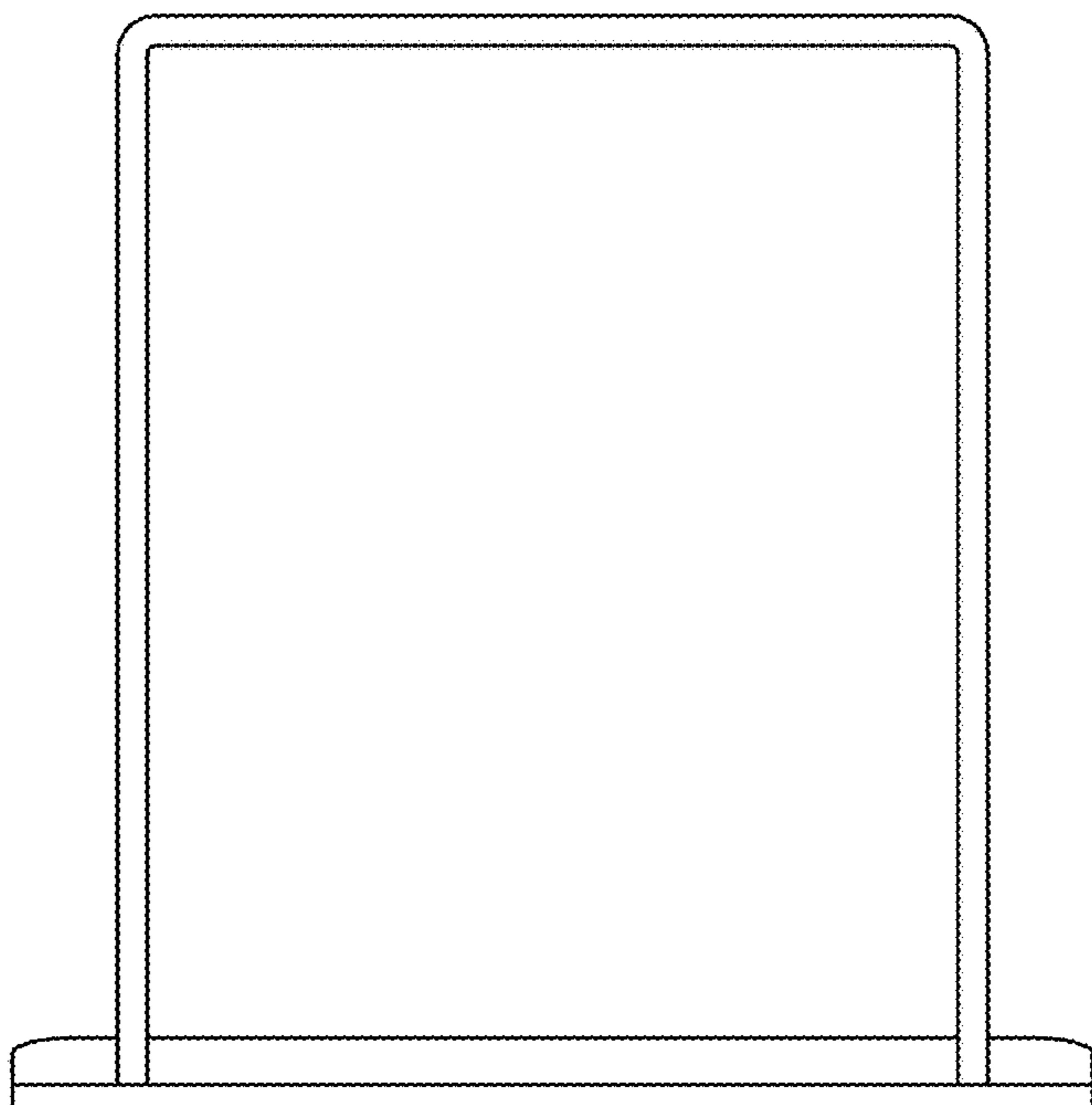




**FIG. 1**



**FIG. 2**



**FIG. 3**

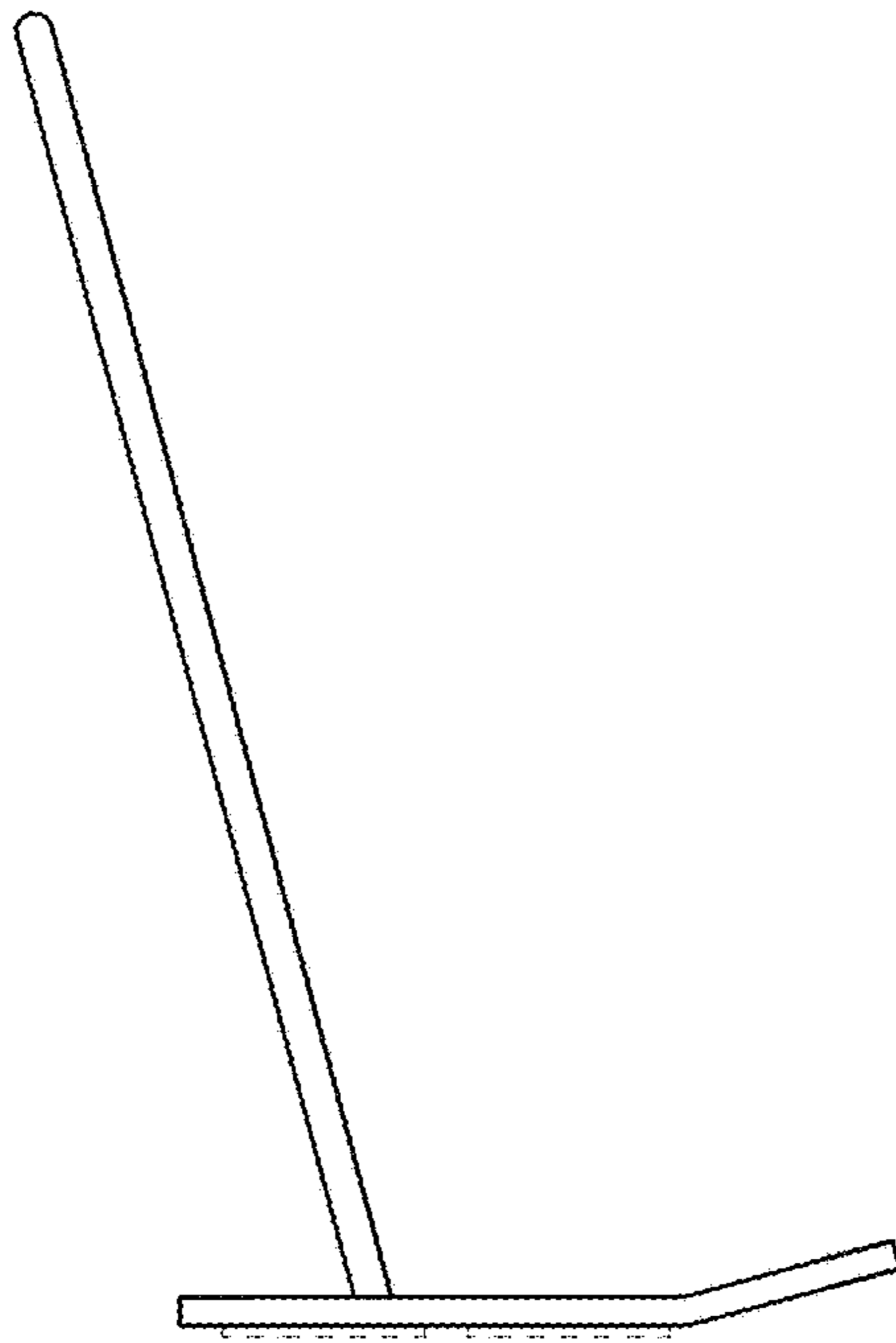


FIG. 4

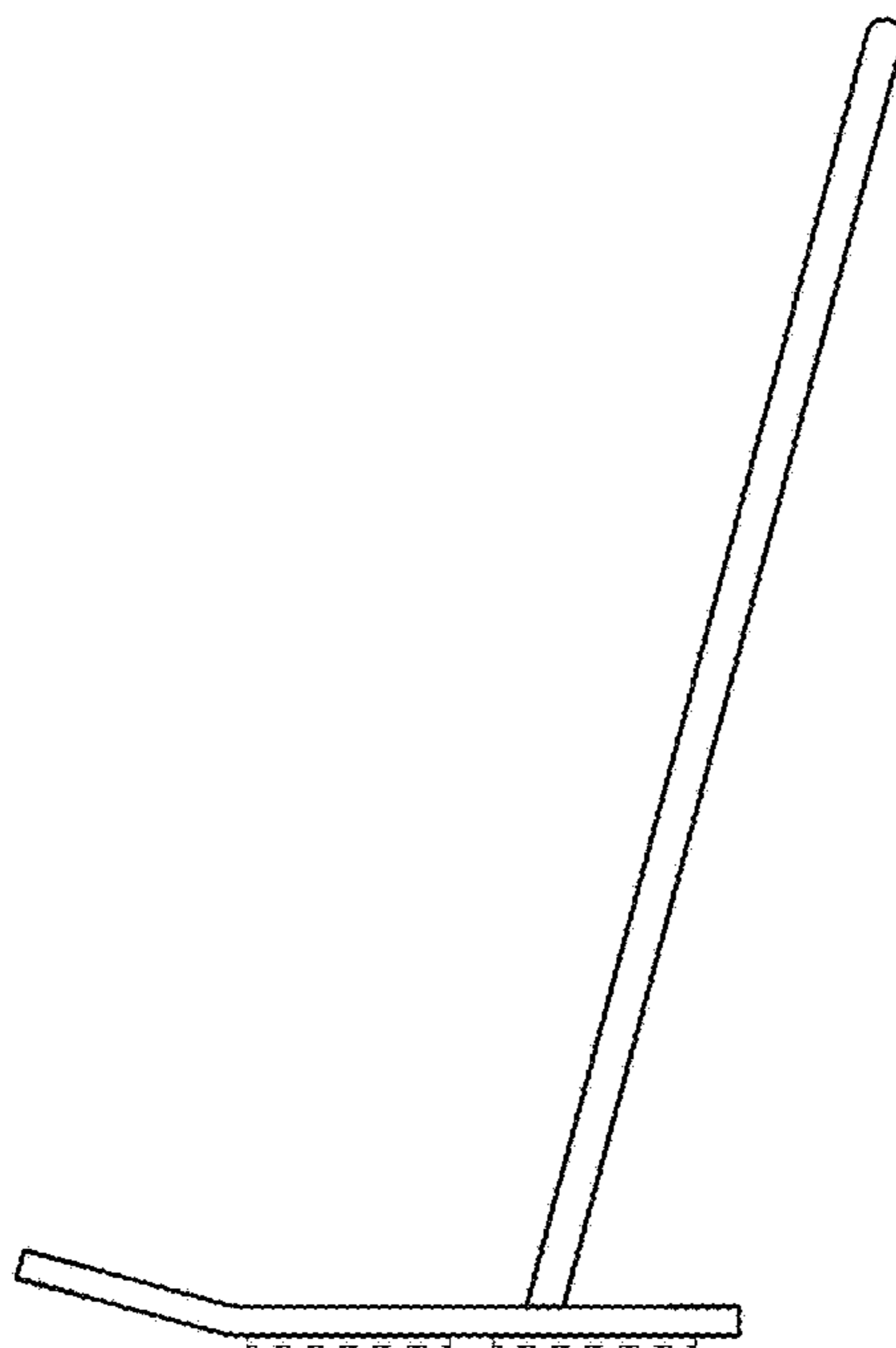
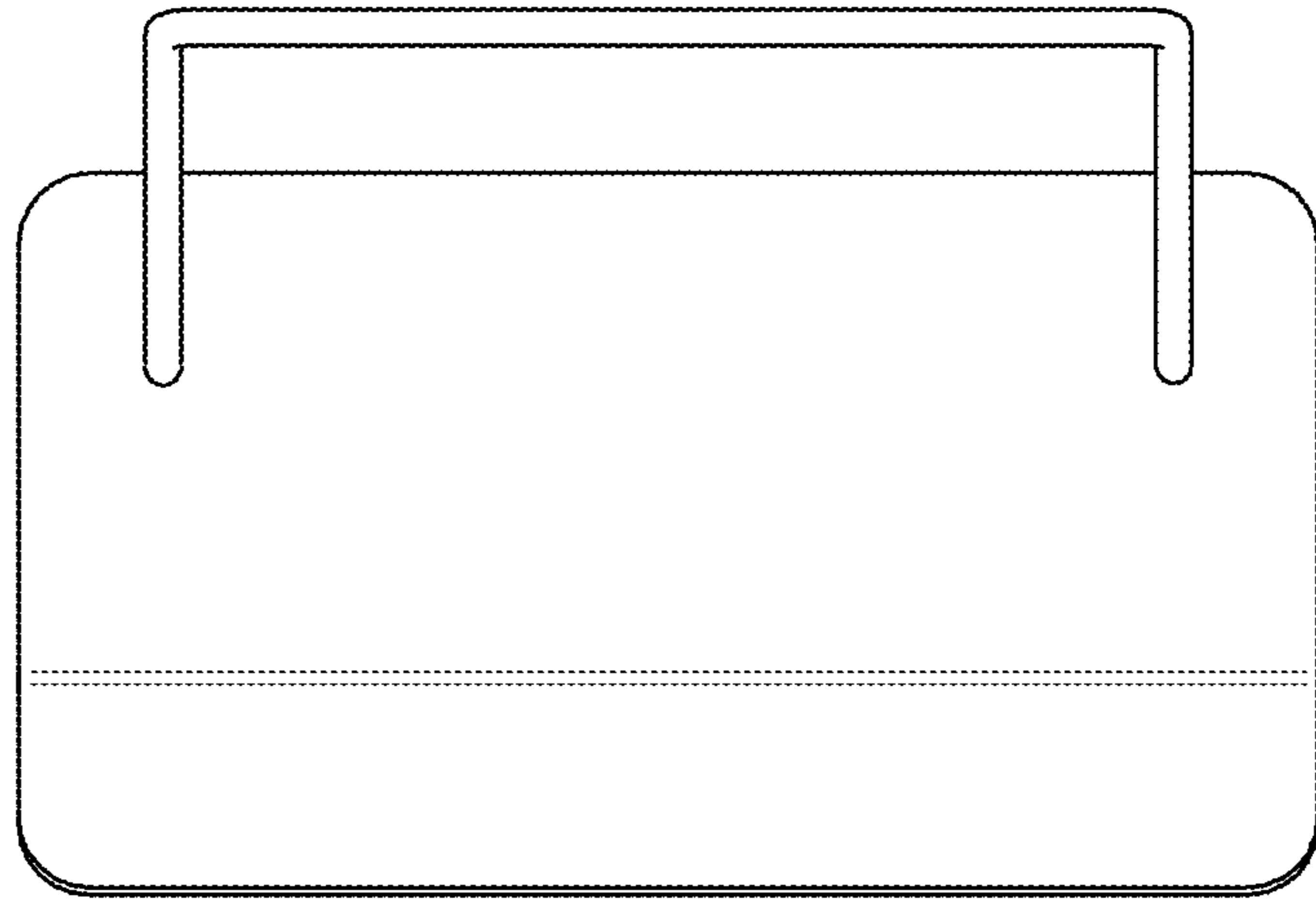
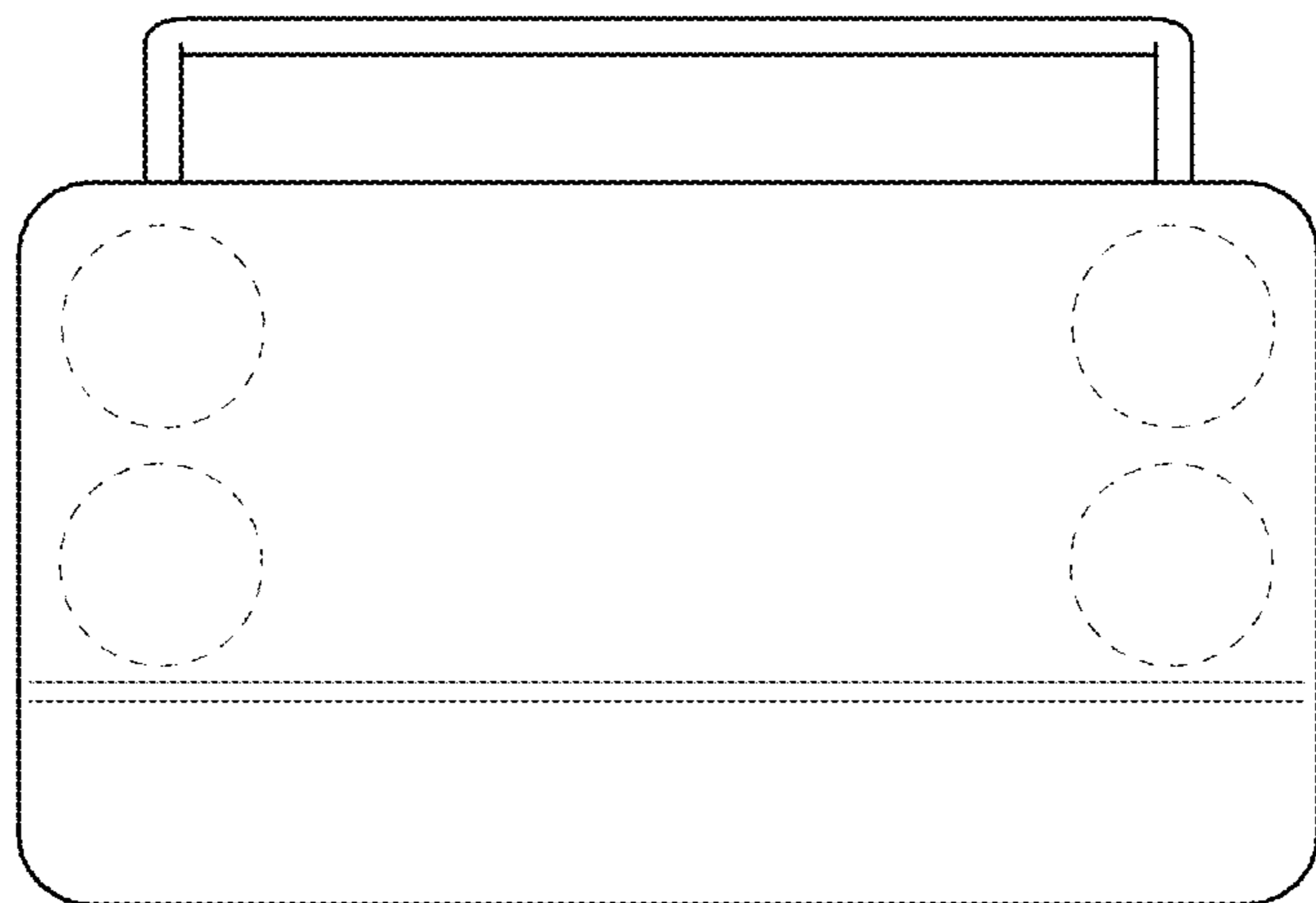


FIG. 5



**FIG. 6**



**FIG. 7**

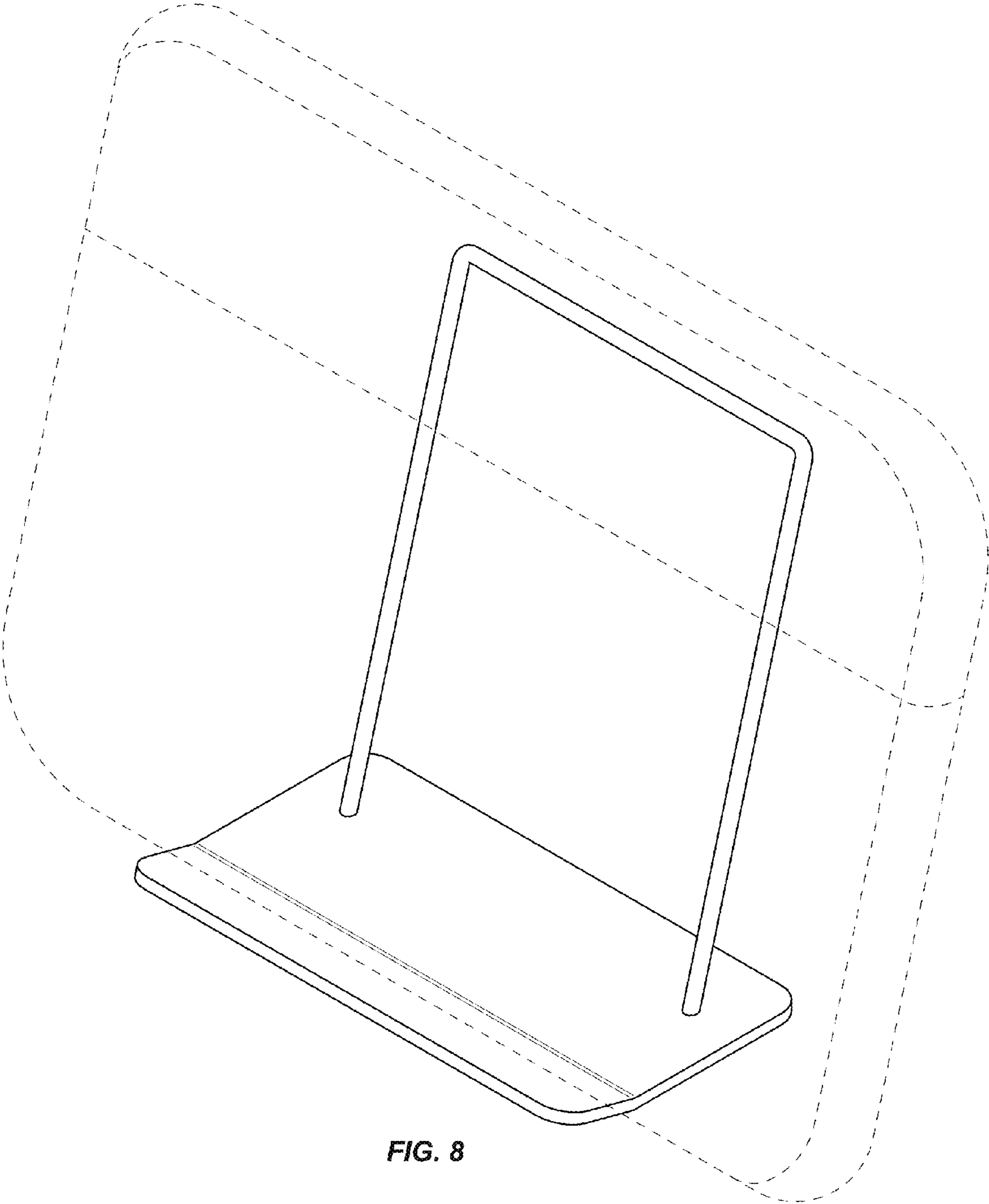


FIG. 8