



US00D789098S

(12) **United States Design Patent** (10) **Patent No.:** **US D789,098 S**  
**Cisler, II** (45) **Date of Patent:** **\*\* Jun. 13, 2017**

(54) **CURVED PICTURE FRAME MOULDING**  
(71) Applicant: **Ronald Lee Cisler, II**, Pittsburgh, PA (US)  
(72) Inventor: **Ronald Lee Cisler, II**, Pittsburgh, PA (US)  
(\*\*) Term: **14 Years**  
(21) Appl. No.: **29/516,515**  
(22) Filed: **Feb. 3, 2015**  
(51) **LOC (10) Cl.** ..... **06-07**  
(52) **U.S. Cl.**  
USPC ..... **D6/300**  
(58) **Field of Classification Search**  
USPC ..... D6/300, 302, 303, 308, 309, 312, 313, D6/314; D25/119, 136, 137, 164; D20/10, 41, 43, 44; D11/132; 40/700  
CPC ..... A47G 1/06; A47G 1/0616; A47G 1/0627; A47G 1/065; A47G 1/0605; A47G 1/10; G09F 15/0012; G09F 1/12  
See application file for complete search history.

D725,294 S \* 3/2015 Cooke ..... D25/119  
D725,796 S \* 3/2015 Van Camp ..... D25/119  
D743,705 S \* 11/2015 Cisler, II ..... D6/300  
D761,970 S \* 7/2016 Redwine ..... D25/119  
2015/0036077 A1\* 2/2015 Lee ..... H05K 5/02 349/65

**OTHER PUBLICATIONS**

Craig Frames 26011 11 by 14-Inch Picture Frame, Amazon.com, earliest review on Jan. 24, 2010, online. Visited on Nov. 23, 2016. Internet URL:<"https://www.amazon.com/Craig-Frames-26011-1-26-Inch-Distressed/dp/B008RM6VMY/ref=sr\_1\_7?ie=UTF8&qid=1480361289&sr=8-7&keywords=craig+frames+picture+frames">.\*  
Dips in a rabbet using a router table (for a picture frame), LumberJocks.com forum, published on Jun. 28, 2014, online. Site visited on Jan. 4, 2017. Internet URL:<"http://lumberjocks.com/topics/62028">.\*

(Continued)

*Primary Examiner* — Cynthia Ramirez  
*Assistant Examiner* — Llorelys Martinez-Rivera  
(74) *Attorney, Agent, or Firm* — Kathleen Kuznicki; the Lynch Law Group, LLC

(56) **References Cited**

**U.S. PATENT DOCUMENTS**

99,022 A \* 1/1870 Sperry ..... A47G 1/06 40/700  
1,580,496 A \* 4/1926 Kelly ..... G03B 17/26 40/738  
2,142,228 A \* 1/1939 Vizard ..... A43B 15/00 D25/119  
D285,685 S \* 9/1986 Winegard ..... D14/231  
D446,870 S \* 8/2001 Gardner ..... D25/119  
D451,213 S \* 11/2001 Gardner ..... D25/136  
D508,741 S \* 8/2005 Mitrevics ..... D25/124  
D513,806 S \* 1/2006 Mitrevics ..... D25/124  
D519,217 S \* 4/2006 Eichner ..... D25/119  
D654,189 S \* 2/2012 Baccarini ..... D25/136  
D656,628 S \* 3/2012 DiGennaro ..... D25/119  
D680,235 S \* 4/2013 Vaes ..... D25/136

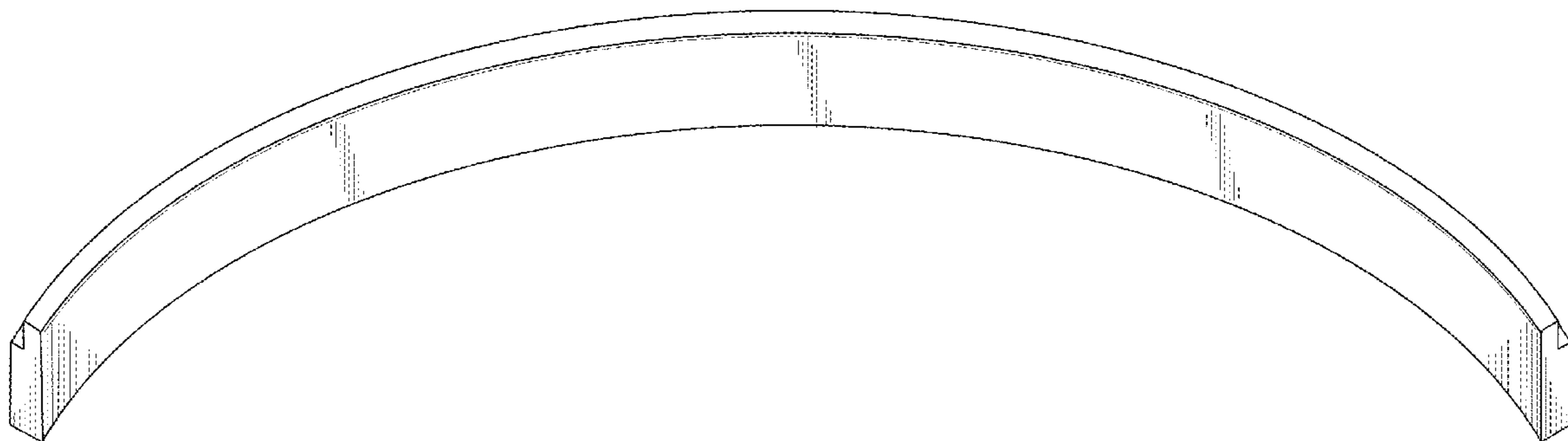
(57) **CLAIM**

The ornamental design for a curved picture frame moulding, as shown and described.

**DESCRIPTION**

FIG. 1 is a front perspective view of a curved picture frame moulding showing my new design;  
FIG. 2 is a rear perspective view thereof;  
FIG. 3 is an enlarged end elevation view thereof;  
FIG. 4 is a top plan view thereof;  
FIG. 5 is a bottom plan view thereof; and,  
FIG. 6 is an enlarged detail view thereof; showing the portion of FIG. 4 which is encircled.

**1 Claim, 6 Drawing Sheets**



(56)

**References Cited**

OTHER PUBLICATIONS

The 'Branch Joint', FurnitureMaking.com blog, published on Jan. 31, 2011, online. Site visited on Jan. 4, 2017. Internet URL:<"http://furnituremaking.com/wordpress/category/joinery/page/2/">.\*

Rabbit Joints, WoodWorkersJournal.com, published on Sep. 17, 2014, online. Site visited on Dec. 30, 2016. Internet URL:<"http://www.woodworkersjournal.com/making-rabbit-joints-router/">.\*

Using Your Table Saw to Cut the Four Basic Rabbit Casework Joints, Rockler.com, published on Apr. 1, 2009, online. Site visited on Dec. 30, 2016. Internet URL:<"http://www.rockler.com/how-to/basic-rabbit-joints/">.\*

\* cited by examiner

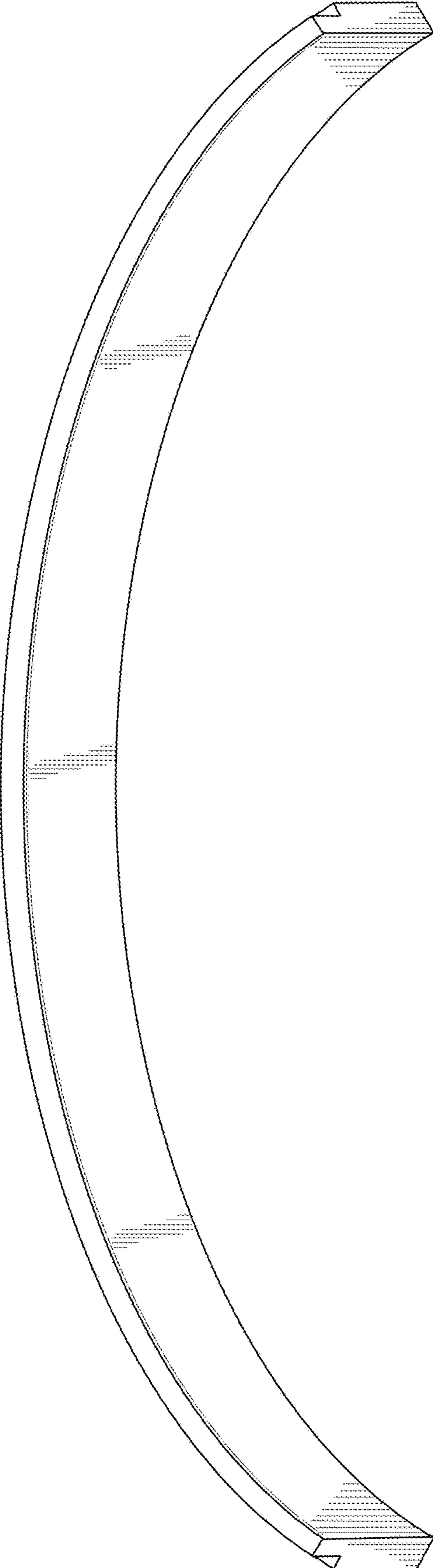


FIG. 1

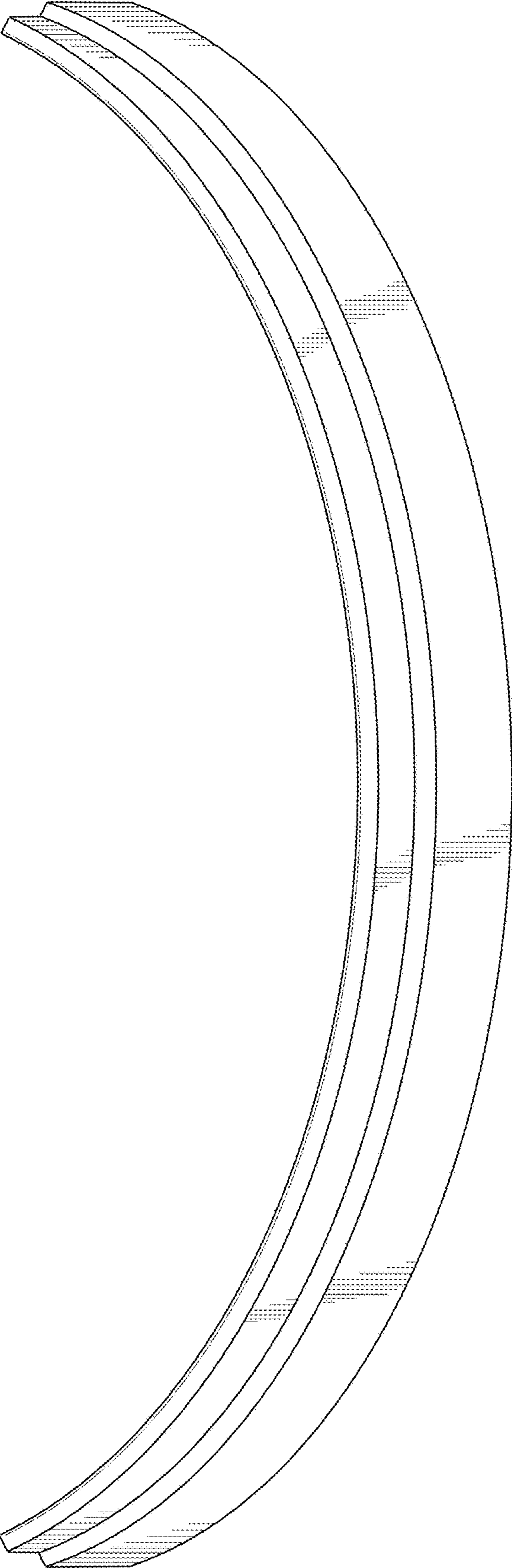


FIG. 2

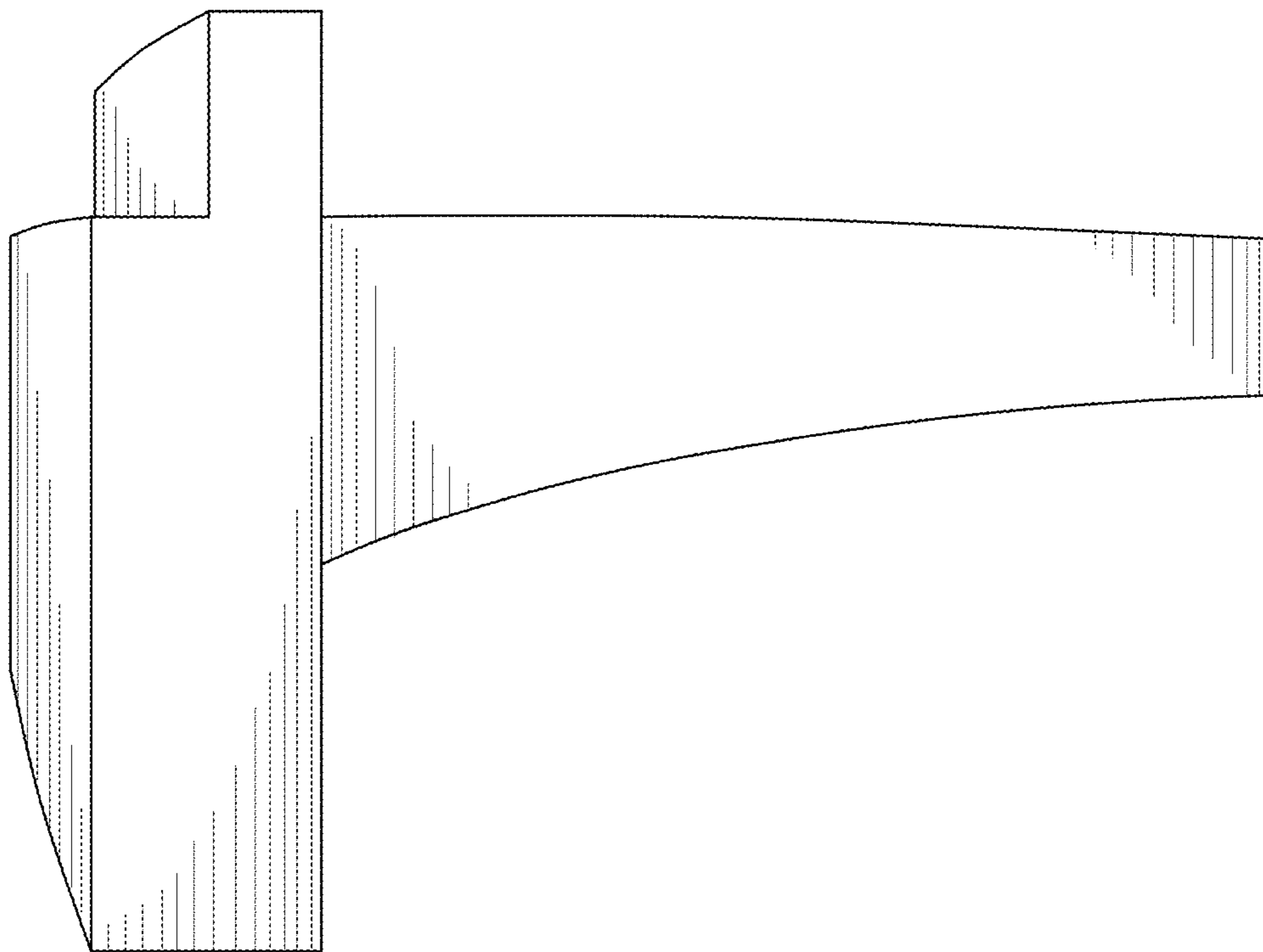


FIG. 3

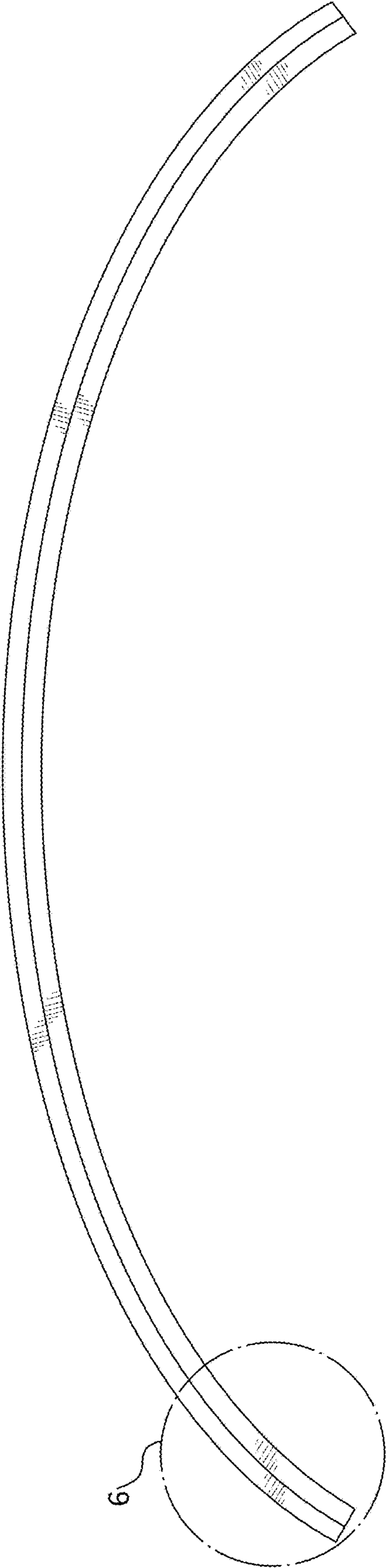


FIG. 4

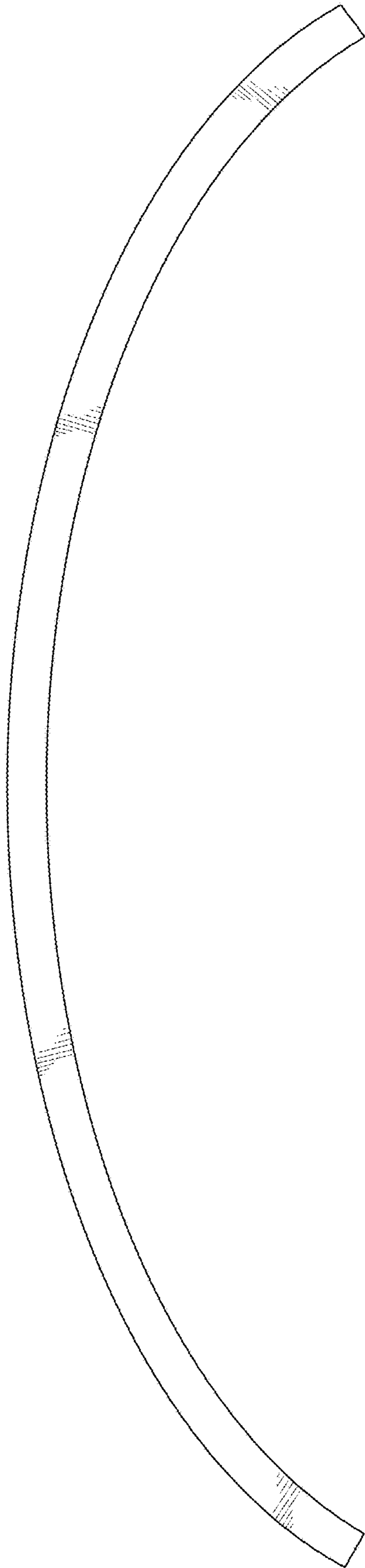


FIG. 5

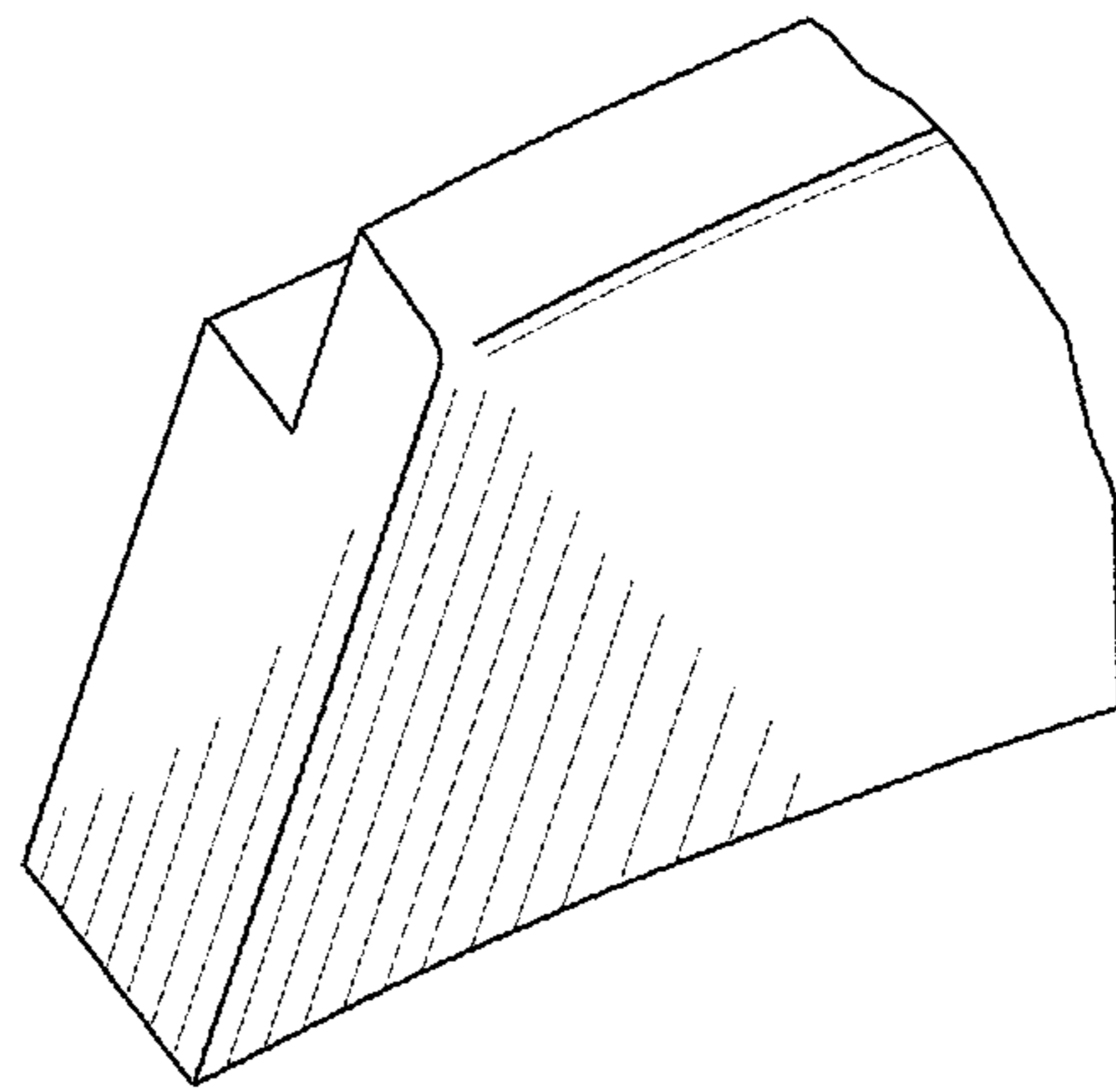


FIG. 6