



US00D789096S

(12) **United States Design Patent**  
**White**

(10) **Patent No.:** **US D789,096 S**

(45) **Date of Patent:** **\*\* Jun. 13, 2017**

(54) **BRUSH HEAD**  
(71) Applicant: **Bobby J. White**, Houston, TX (US)  
(72) Inventor: **Bobby J. White**, Houston, TX (US)  
(\*\*) Term: **14 Years**

5,139,453 A \* 8/1992 Aiken ..... A63F 7/0668  
434/259  
6,081,992 A \* 7/2000 Kelemen ..... H01M 2/0413  
29/623.1  
D456,750 S \* 5/2002 McWilliams ..... D12/114  
D476,717 S \* 7/2003 Pitts ..... D23/207  
D550,967 S \* 9/2007 Huang ..... D4/130  
D571,218 S \* 6/2008 Wagner ..... D9/535

(21) Appl. No.: **29/507,035**

\* cited by examiner

(22) Filed: **Oct. 23, 2014**

*Primary Examiner* — Austin Murphy

(51) **LOC (10) Cl.** ..... **04-99**

(74) *Attorney, Agent, or Firm* — Quickpatents, LLC;  
Kevin Prince

(52) **U.S. Cl.**  
USPC ..... **D4/199**

(58) **Field of Classification Search**  
USPC ..... D3/228, 269, 300; D9/702, 711, 712;  
15/246, 247; 150/161; 206/15.3, 284,  
206/361, 362.2, 362.3, 362.4; 428/34.3  
CPC .. A46B 17/04; A46B 2200/202; B65D 25/105  
See application file for complete search history.

(57) **CLAIM**

I claim the ornamental design for a brush head, as shown and described.

(56) **References Cited**

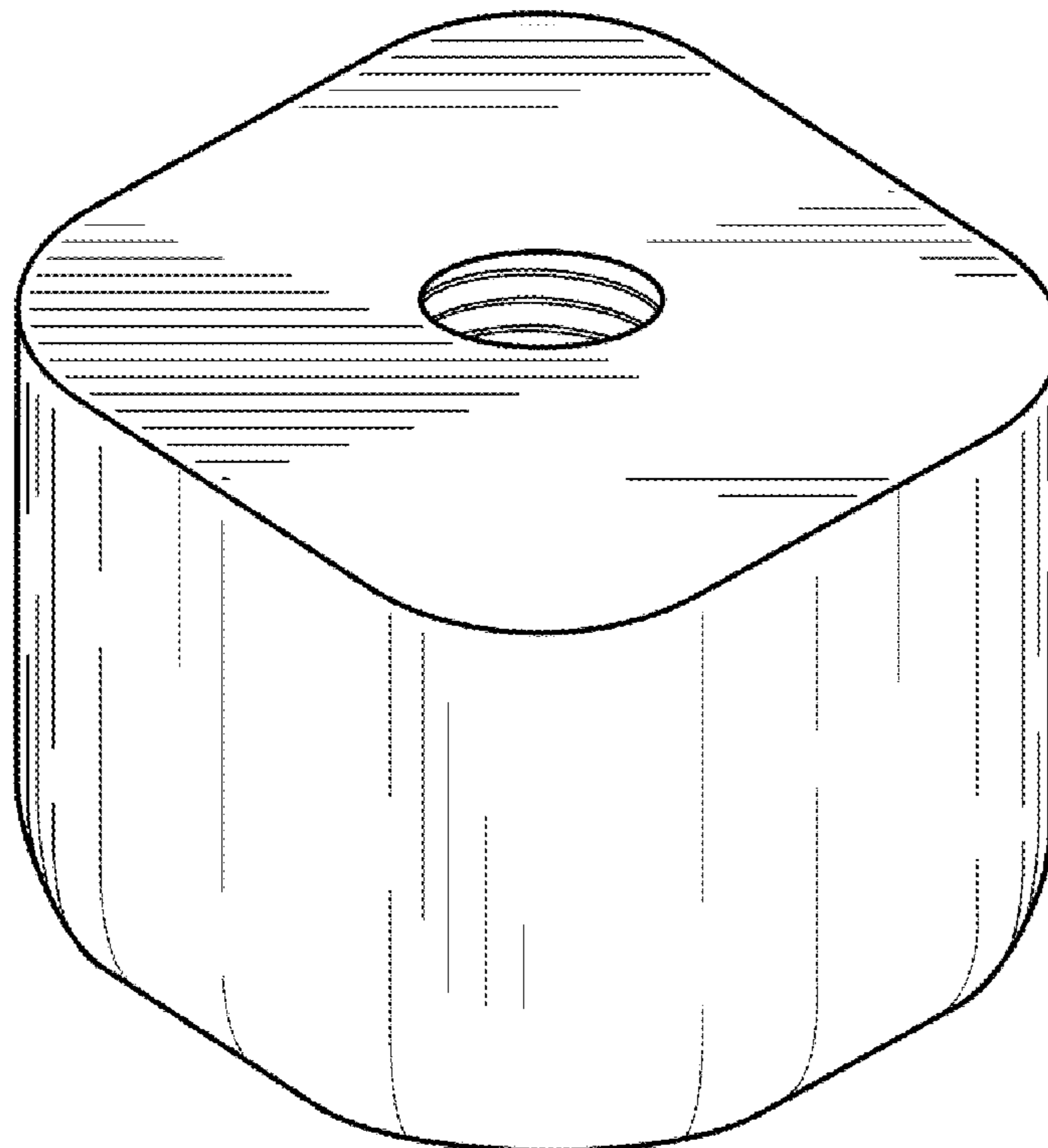
**DESCRIPTION**

**U.S. PATENT DOCUMENTS**

D104,649 S \* 5/1937 Black ..... D9/573  
3,998,350 A \* 12/1976 Massac ..... B63B 25/16  
220/560.08  
4,618,924 A \* 10/1986 Hinds ..... G05B 19/41  
318/568.1  
4,758,195 A \* 7/1988 Walsh ..... A63H 33/04  
401/196

FIG. 1 is a perspective view of a brush head, showing a first embodiment of my new design;  
FIG. 2 is a front elevational view of FIG. 1, the rear elevational view, left-side elevational view, and right-side elevational view all being identical thereto;  
FIG. 3 is a top plan view of FIG. 1; and,  
FIG. 4 is a bottom plan view of FIG. 1.  
The broken lines in FIG. 3 depict portions of the brush head that form no part of the claimed design.

**1 Claim, 1 Drawing Sheet**



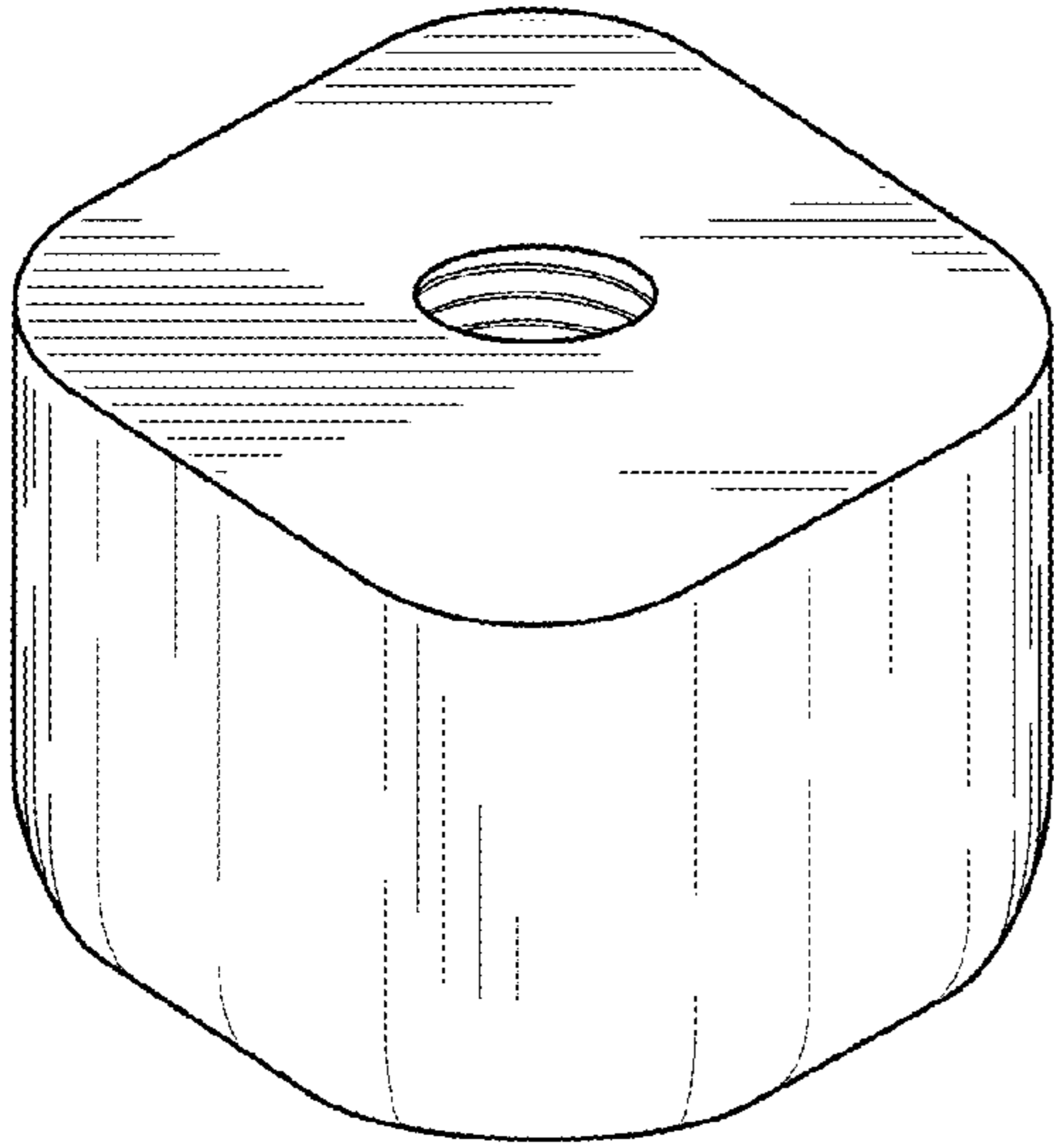


FIG. 1

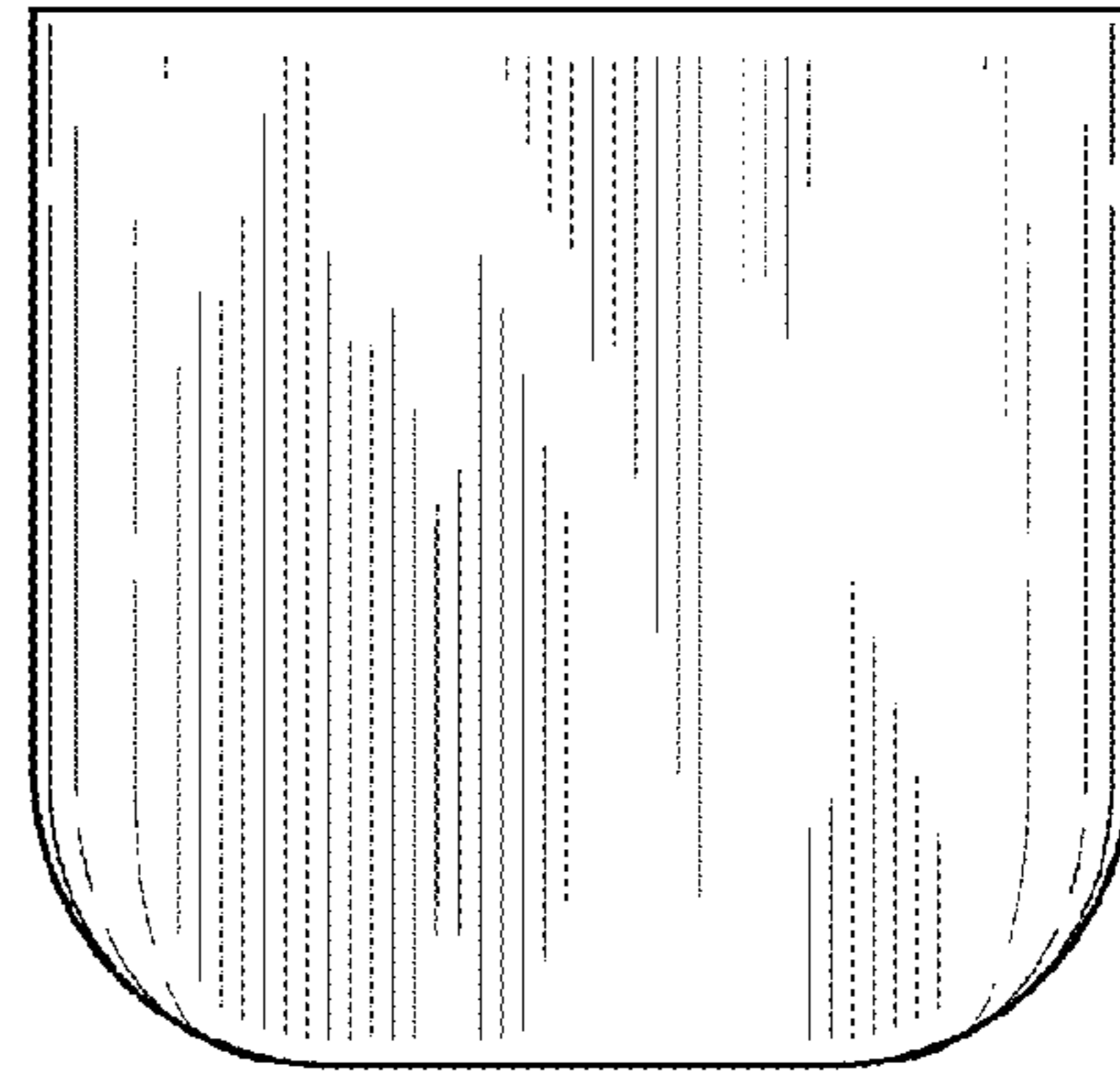


FIG. 2

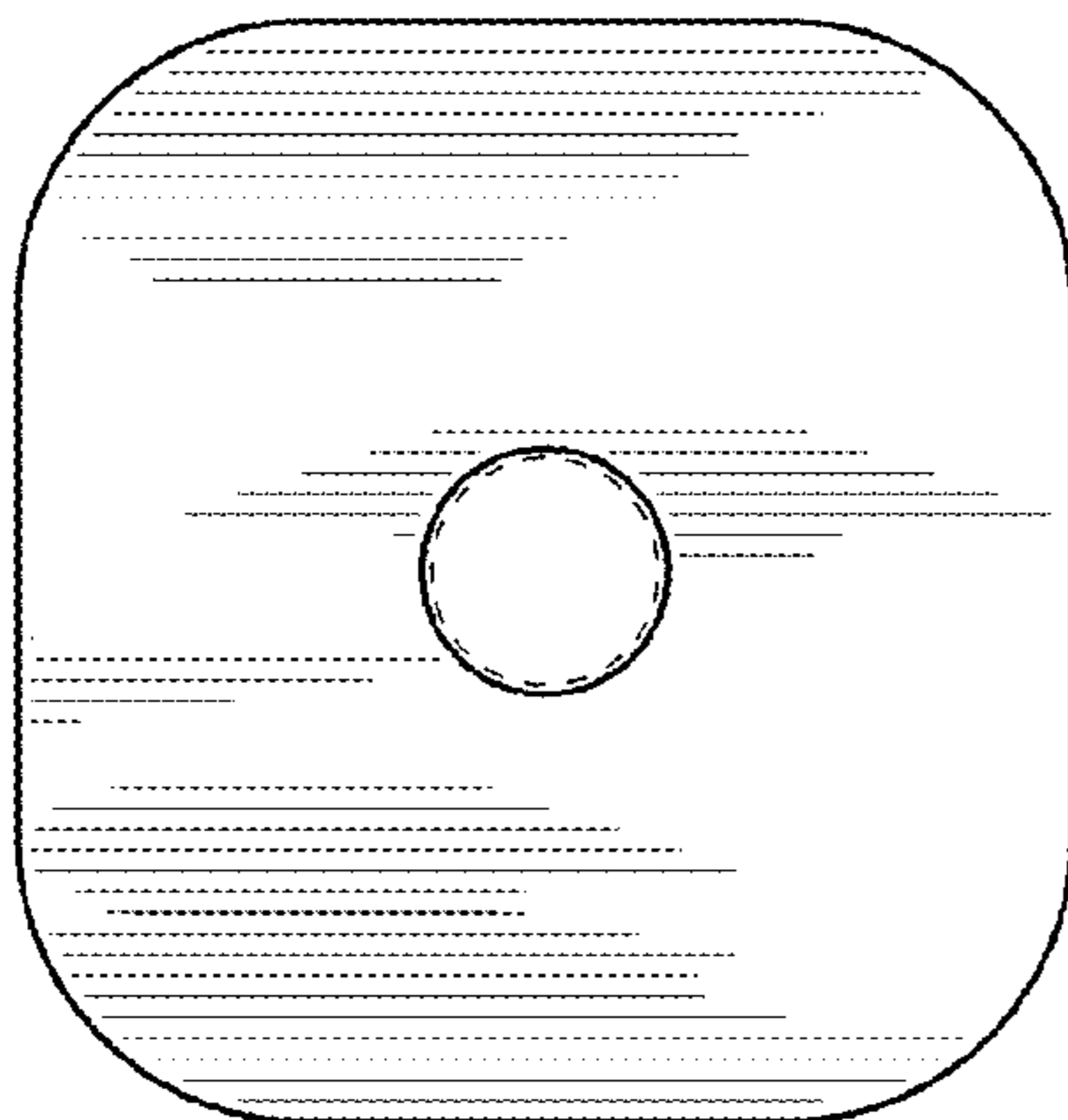


FIG. 3

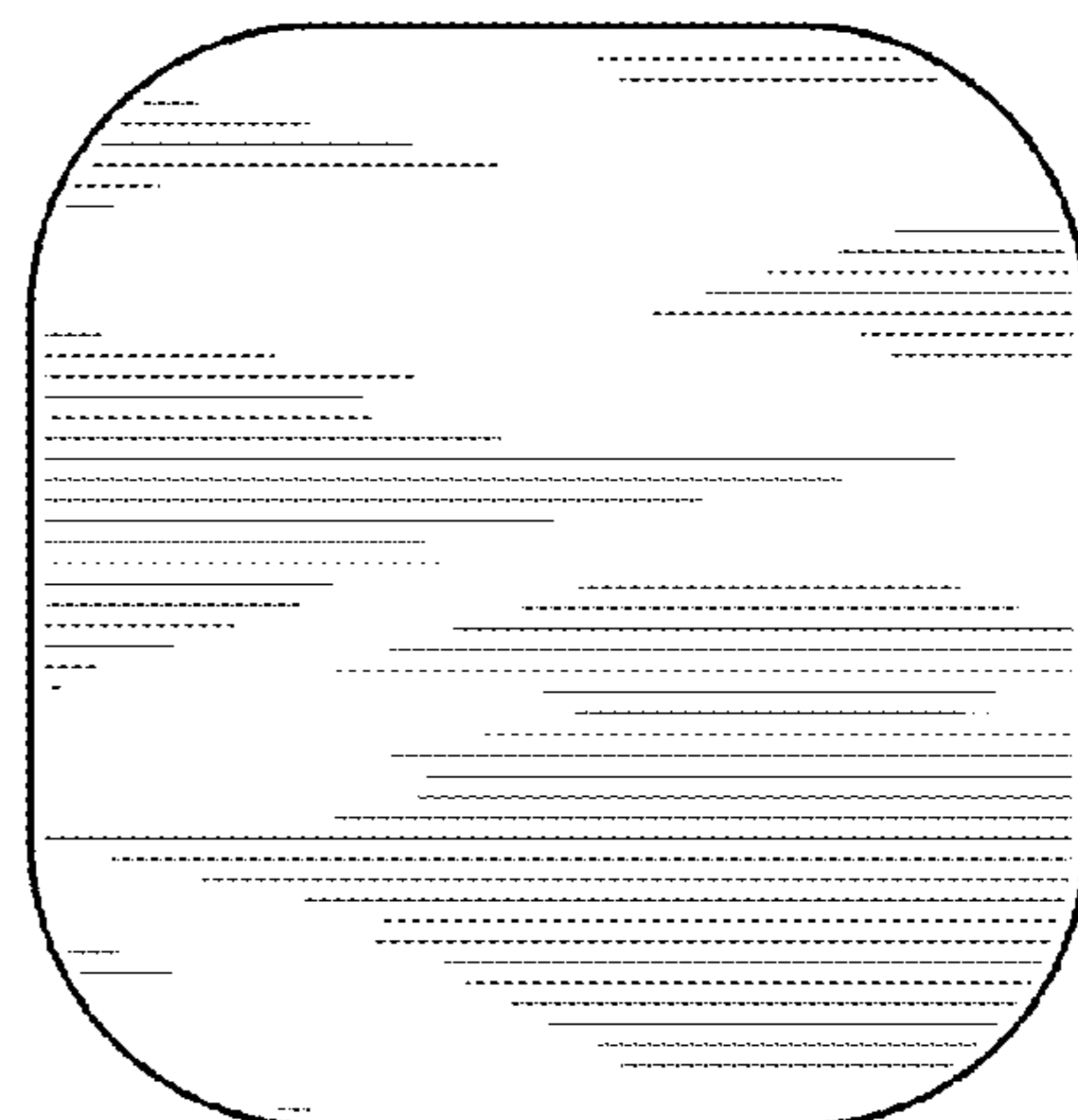


FIG. 4