



US00D789095S

(12) **United States Design Patent**  
**Wales**

(10) **Patent No.:** **US D789,095 S**

(45) **Date of Patent:** **\*\* Jun. 13, 2017**

(54) **GRILL BRUSH**

(71) Applicant: **Michael Wales**, Riverside, CT (US)

(72) Inventor: **Michael Wales**, Riverside, CT (US)

(\*\*) Term: **15 Years**

(21) Appl. No.: **29/557,908**

(22) Filed: **Mar. 14, 2016**

(51) **LOC (10) Cl.** ..... **04-01**

(52) **U.S. Cl.**  
USPC ..... **D4/131**

(58) **Field of Classification Search**  
USPC ..... D4/119, 129, 131, 132, 138; D7/393,  
D7/395, 401.2; D8/107; D32/51, 52;  
15/27, 106, 143.1, 159.1, 160, 164, 206  
CPC ..... A46B 3/00; A46B 3/18; A46B 5/0004;  
A46B 5/0012; A46B 5/02; A46B 5/021;  
A46B 2200/00; A46B 2200/30; A46B  
2200/3006; A46B 2200/3033; A46B  
2200/304; A46B 2200/3093  
See application file for complete search history.

(56) **References Cited**

U.S. PATENT DOCUMENTS

D361,893 S *	9/1995	Tehrani	.....	D4/114
D380,090 S *	6/1997	Zemel	.....	D4/115
D577,200 S *	9/2008	Meyer	.....	D4/119
D601,346 S *	10/2009	Wales	.....	D4/119
D601,347 S *	10/2009	Wales	.....	D4/122
D652,629 S *	1/2012	Zemel	.....	D4/120

D654,272 S *	2/2012	Zemel	.....	D4/131
D655,511 S *	3/2012	Zemel	.....	D4/131
D658,894 S *	5/2012	Zemel	.....	D4/131
D663,125 S *	7/2012	Zemel	.....	D4/131
D663,531 S *	7/2012	Zemel	.....	D4/131
D664,771 S *	8/2012	Gunjian	.....	D4/131
D665,178 S *	8/2012	Zemel	.....	D4/131
D700,438 S *	3/2014	Borovicka	.....	D4/131
D714,557 S *	10/2014	Gonzalez	.....	D4/131
D742,121 S *	11/2015	Borovicka	.....	D4/119

\* cited by examiner

*Primary Examiner* — Austin Murphy

(74) *Attorney, Agent, or Firm* — Dunlap Bennett & Ludwig PLLC

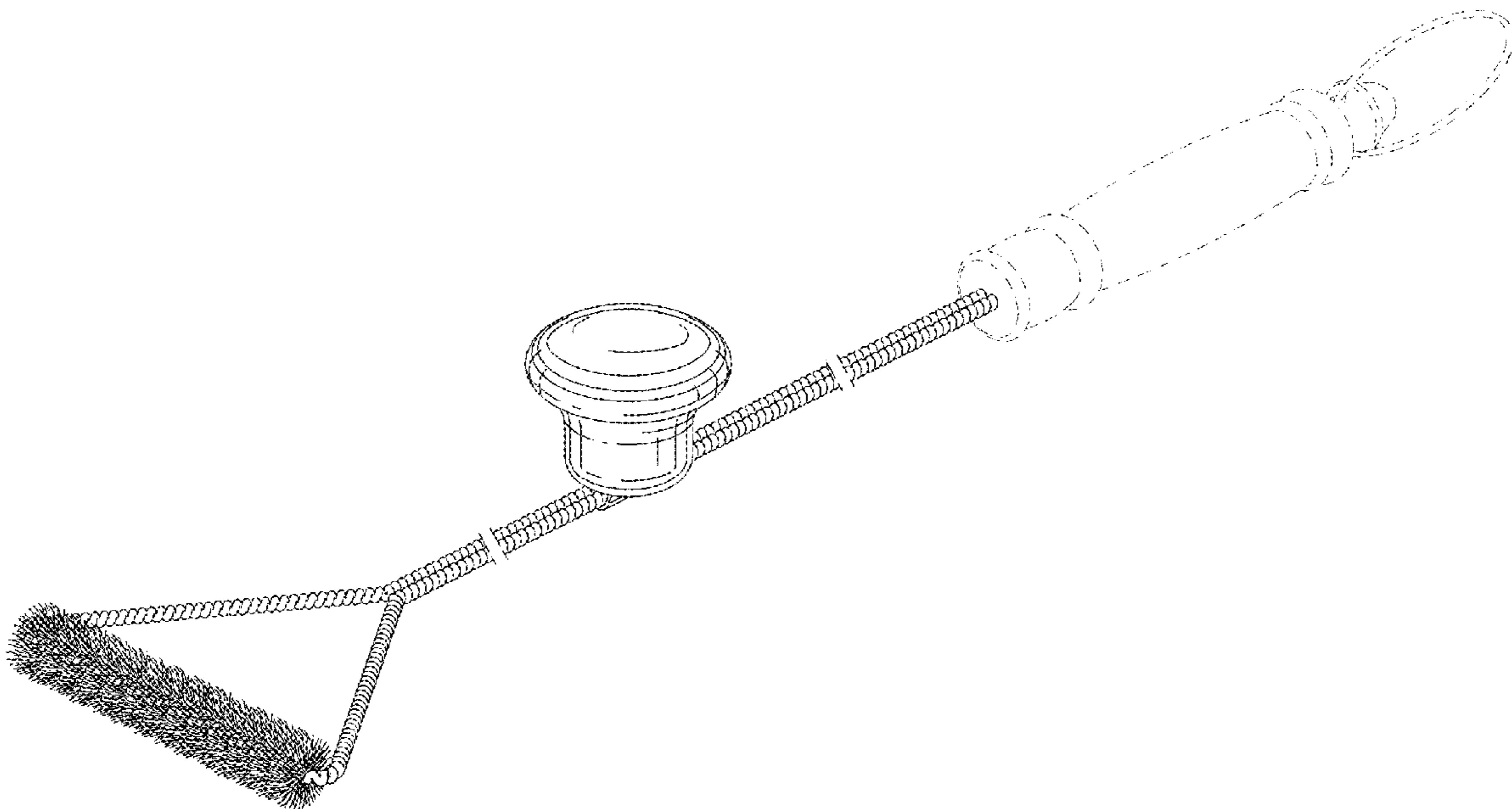
(57) **CLAIM**

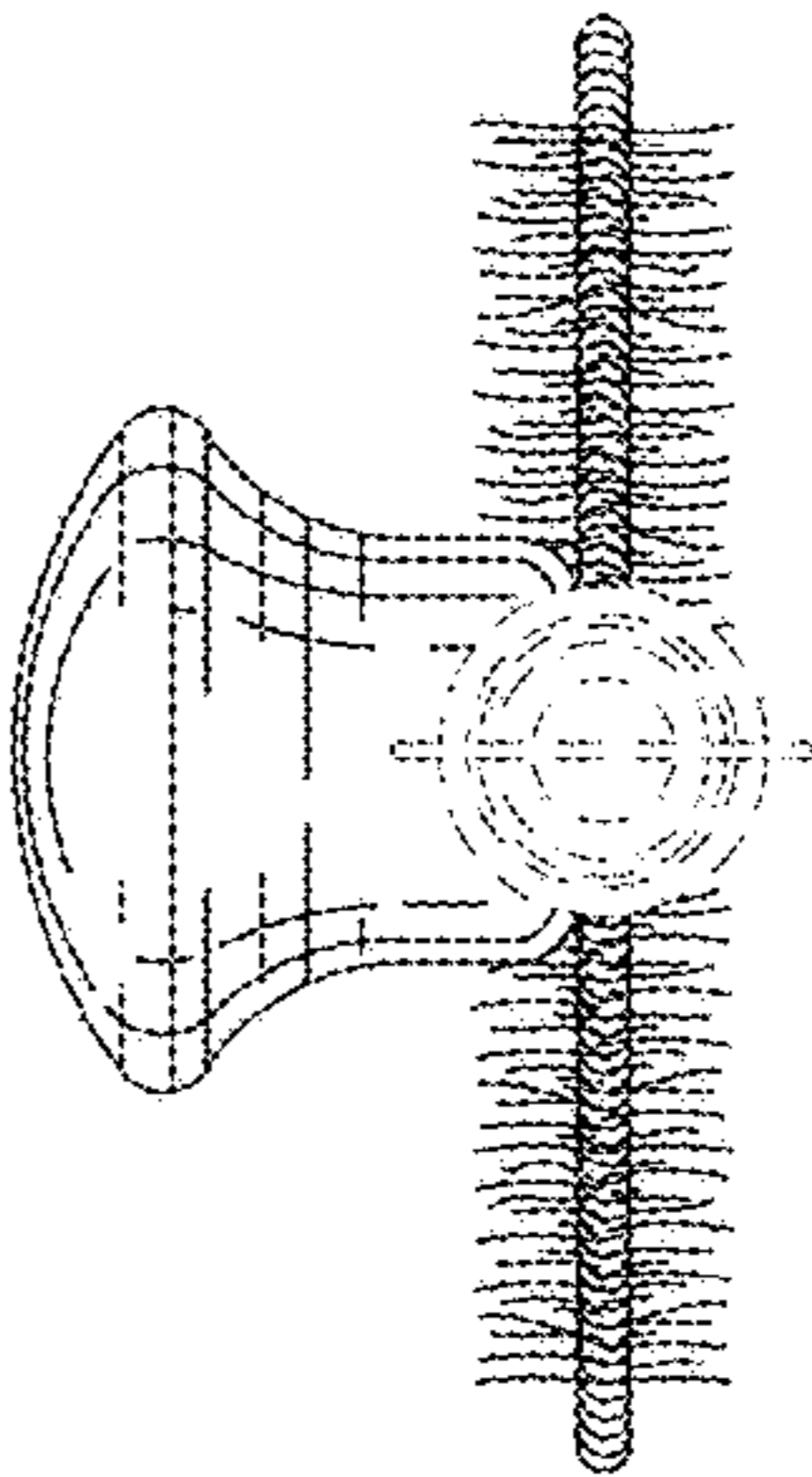
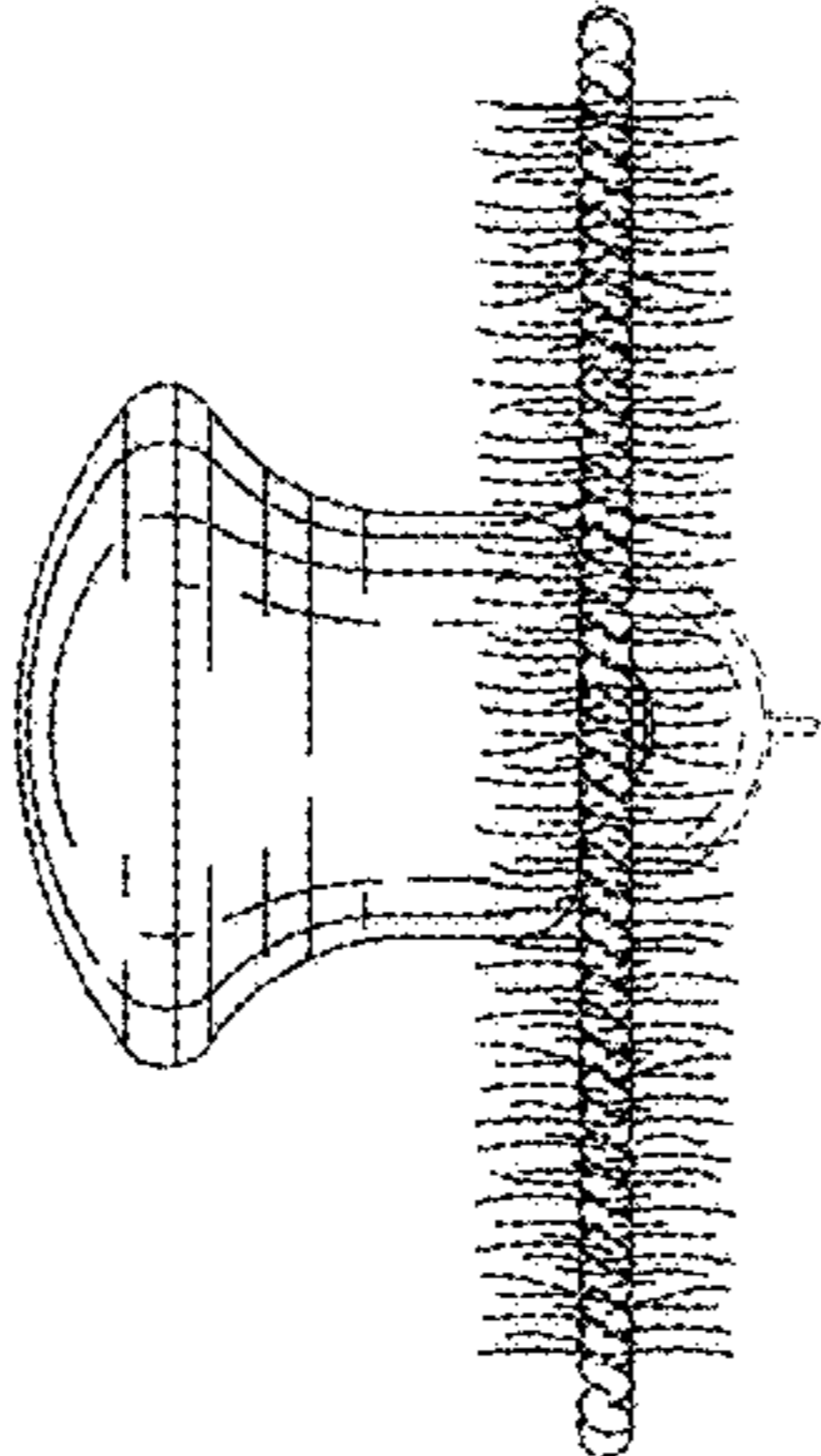
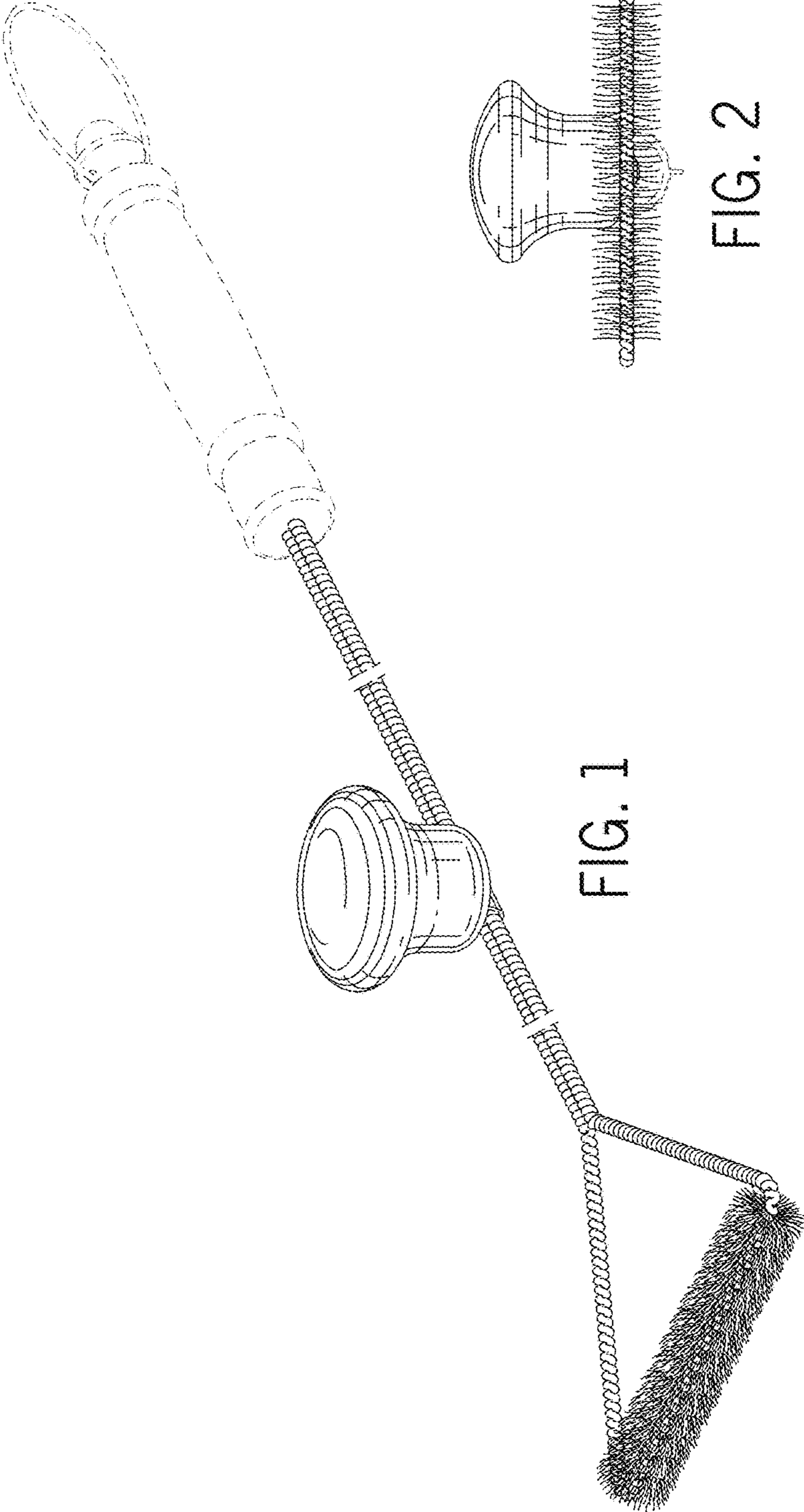
The ornamental design for a grill brush, as shown and described.

**DESCRIPTION**

FIG. 1 is a front perspective view of the grill brush; FIG. 2 is a front elevation view thereof; FIG. 3 is a rear elevation view thereof; FIG. 4 is a left side elevation view thereof, the right side elevation view being a mirror image thereof; FIG. 5 is a top plan view thereof; and, FIG. 6 is a bottom plan view thereof. The broken lines shown in the drawings illustrate portions of the grill brush that form no part of the claimed design. The grill brush is shown with a symbolic break in its length. The appearance of any portion of the article between the break lines forms no part of the claimed design.

**1 Claim, 2 Drawing Sheets**





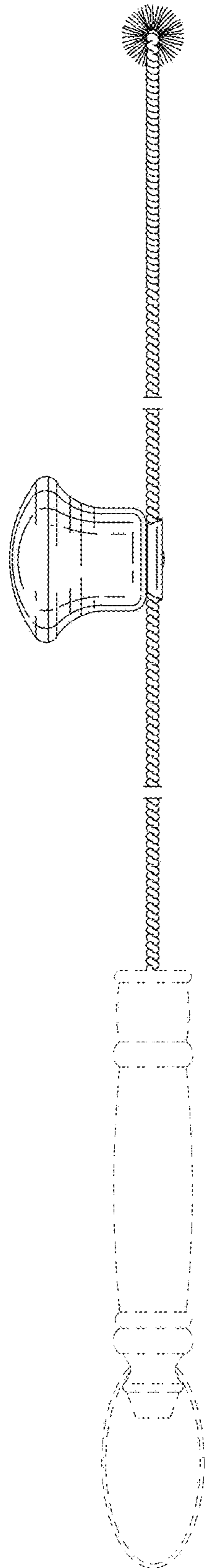


FIG. 4

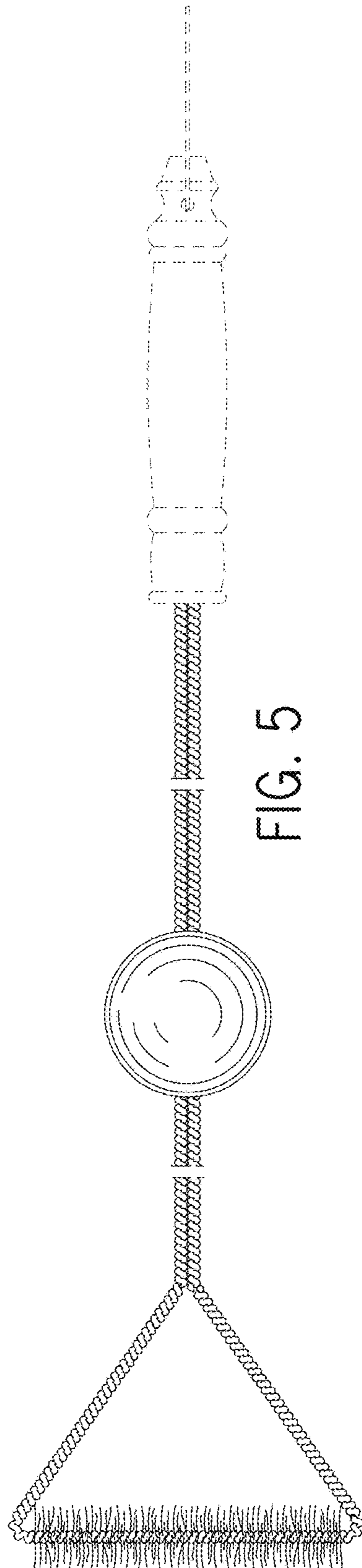


FIG. 5

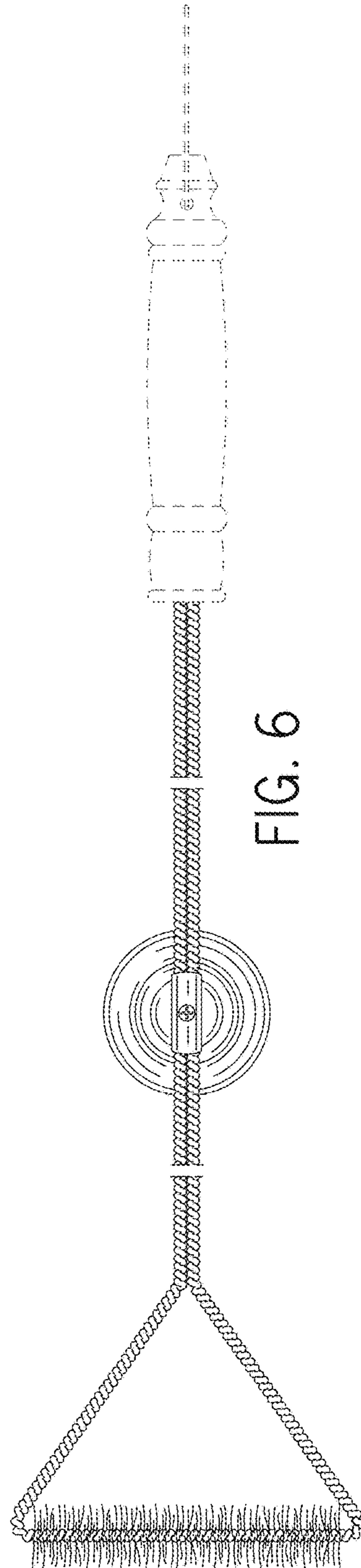


FIG. 6