



US00D789094S

(12) **United States Design Patent** (10) **Patent No.:** **US D789,094 S**
Flavard (45) **Date of Patent:** **** Jun. 13, 2017**

(54) **MAKEUP BRUSH**

(56) **References Cited**

(71) Applicant: **L'OREAL**, Paris (FR)

U.S. PATENT DOCUMENTS

(72) Inventor: **Xavier Flavard**, Paris (FR)

D480,878 S * 10/2003 Mastroianni D4/127

(**) Term: **15 Years**

D734,949 S * 7/2015 Behnam D4/127

(21) Appl. No.: **35/500,714**

9,320,349 B2 * 4/2016 Hwang A46B 9/021

(22) Filed: **Sep. 17, 2015**

D757,442 S * 5/2016 Waitesmith D4/127

(80) **Hague Agreement Data**

D770,185 S * 11/2016 Shown D4/127

Int. Filing Date: **Sep. 17, 2015**

D777,448 S * 1/2017 Saputo D4/119

Int. Reg. No.: **DM/087586**

2009/0089949 A1 * 4/2009 Mink A46B 3/10

Int. Reg. Date: **Sep. 17, 2015**

2016/0324306 A1 * 11/2016 Martin A46B 13/02

Int. Reg. Pub. Date: **Mar. 18, 2016**

* cited by examiner

(51) **LOC (10) Cl.** **04-04**

Primary Examiner — Michael A Pratt

(52) **U.S. Cl.**

(57) **CLAIM**

USPC **D4/127**

The ornamental design for a makeup brush, as shown and described.

(58) **Field of Classification Search**

DESCRIPTION

USPC D4/100–102, 104, 108–113, 116, 117,
D4/119, 121, 127–135, 137, 138, 199

1. Makeup brush

CPC A46B 11/0017; A46B 2200/1033; A46B
7/042; A46B 9/021; A46B 2200/1046;

1.1 : Right

A46B 9/06; A46B 17/02; A46B
2200/202; A46B 5/0016; A46B 13/001;

1.2 : Left

A46B 3/005; A46B 5/021; A46B
2200/1053; A46B 2200/106; A46B 15/00;

1.3 : Back

A46B 15/0085; A46B 3/20; A46B 9/025
See application file for complete search history.

1.4 : Front

1.5 : Top

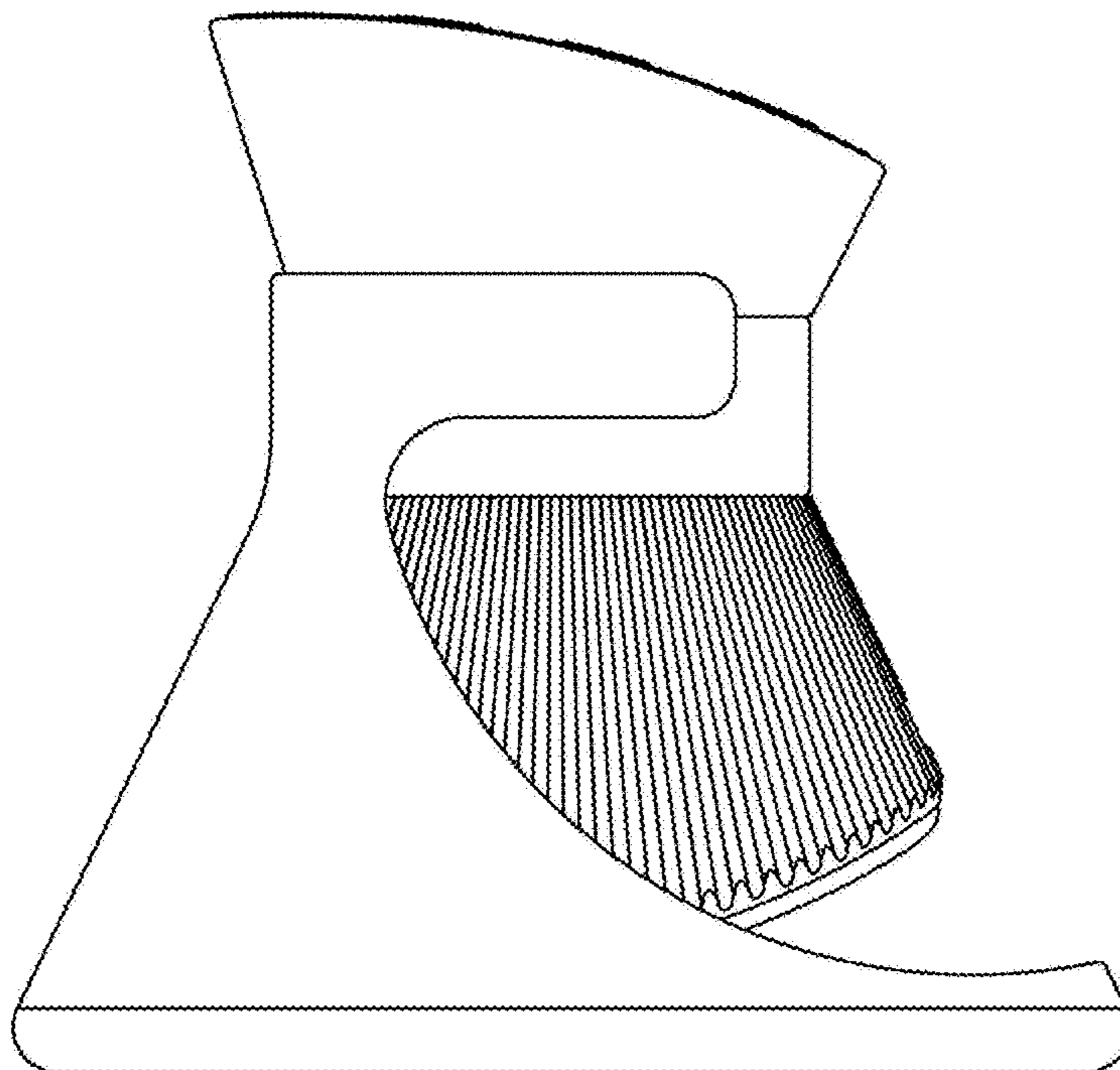
1.6 : Bottom

1.7 : perspective

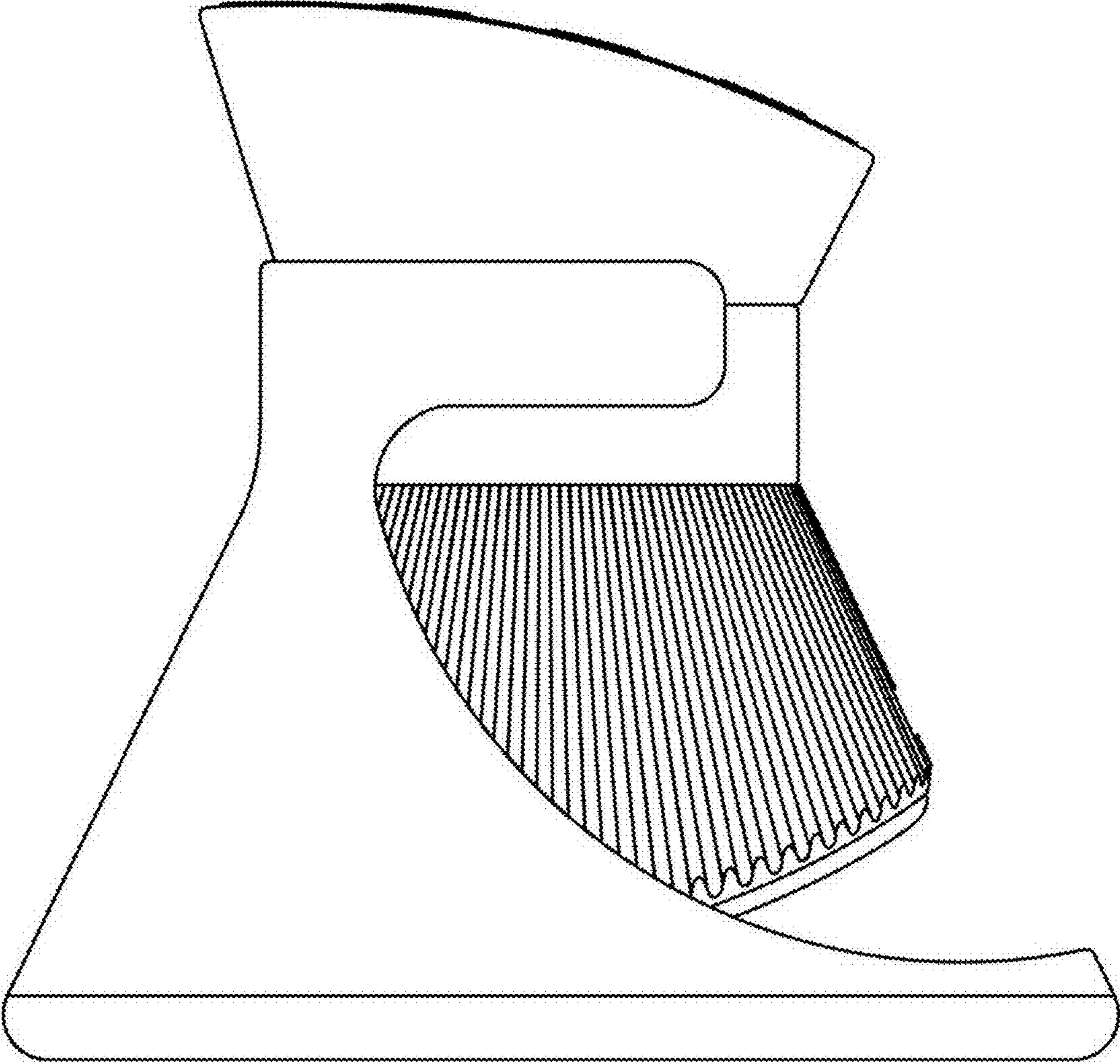
1.8 : perspective with makeup brush removed from Stand

1.9 : bottom perspective.

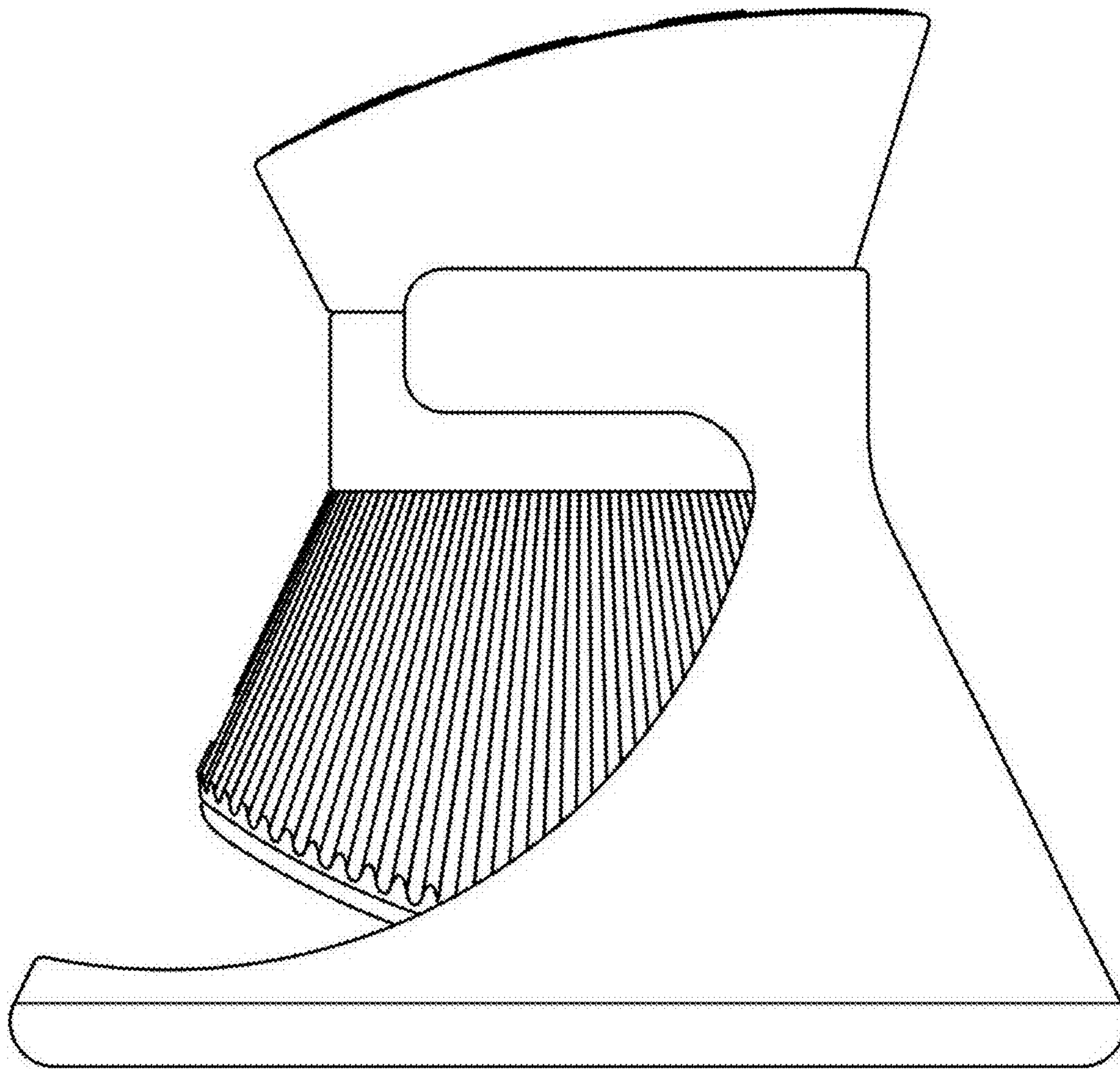
1 Claim, 9 Drawing Sheets



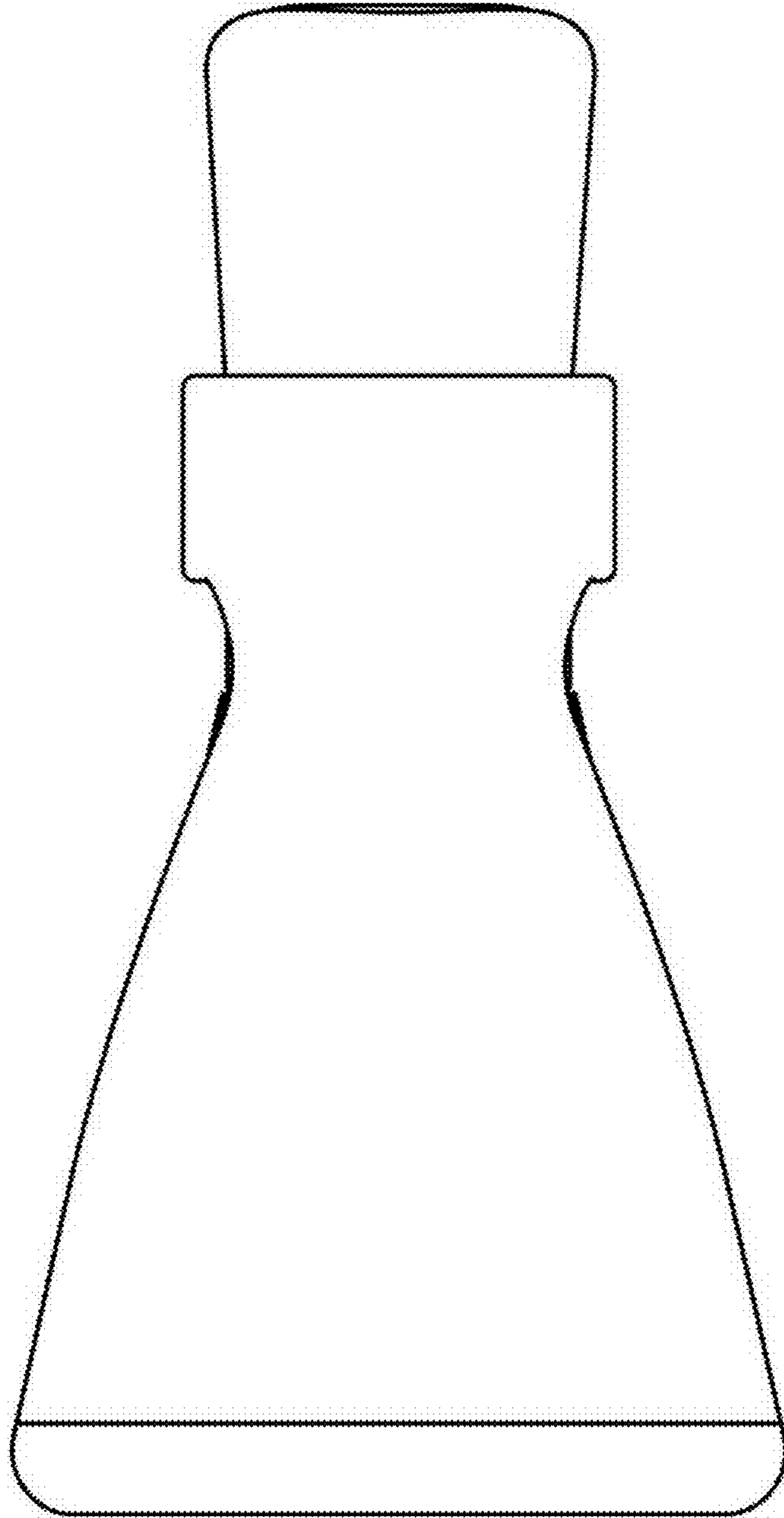
1.1



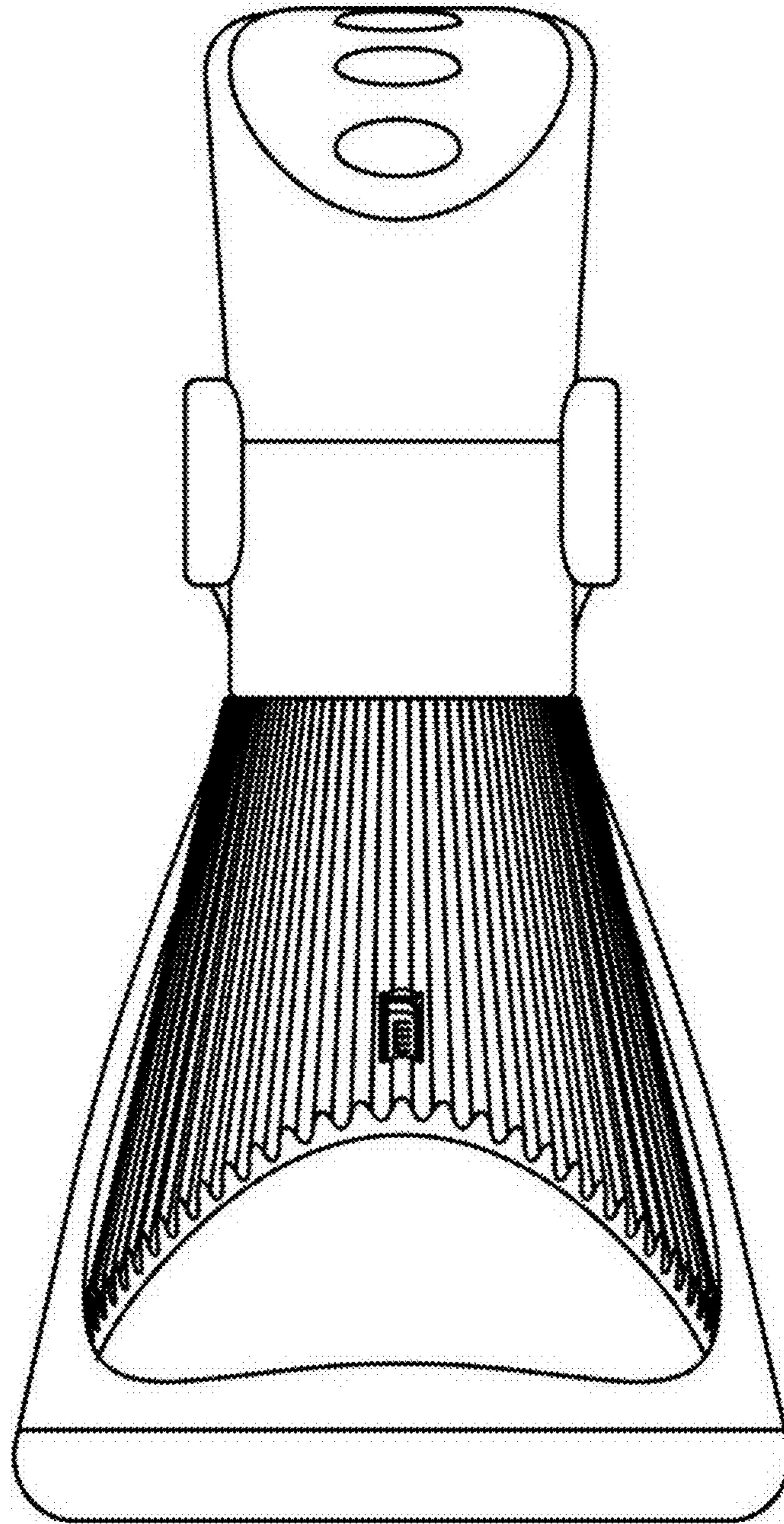
1.2



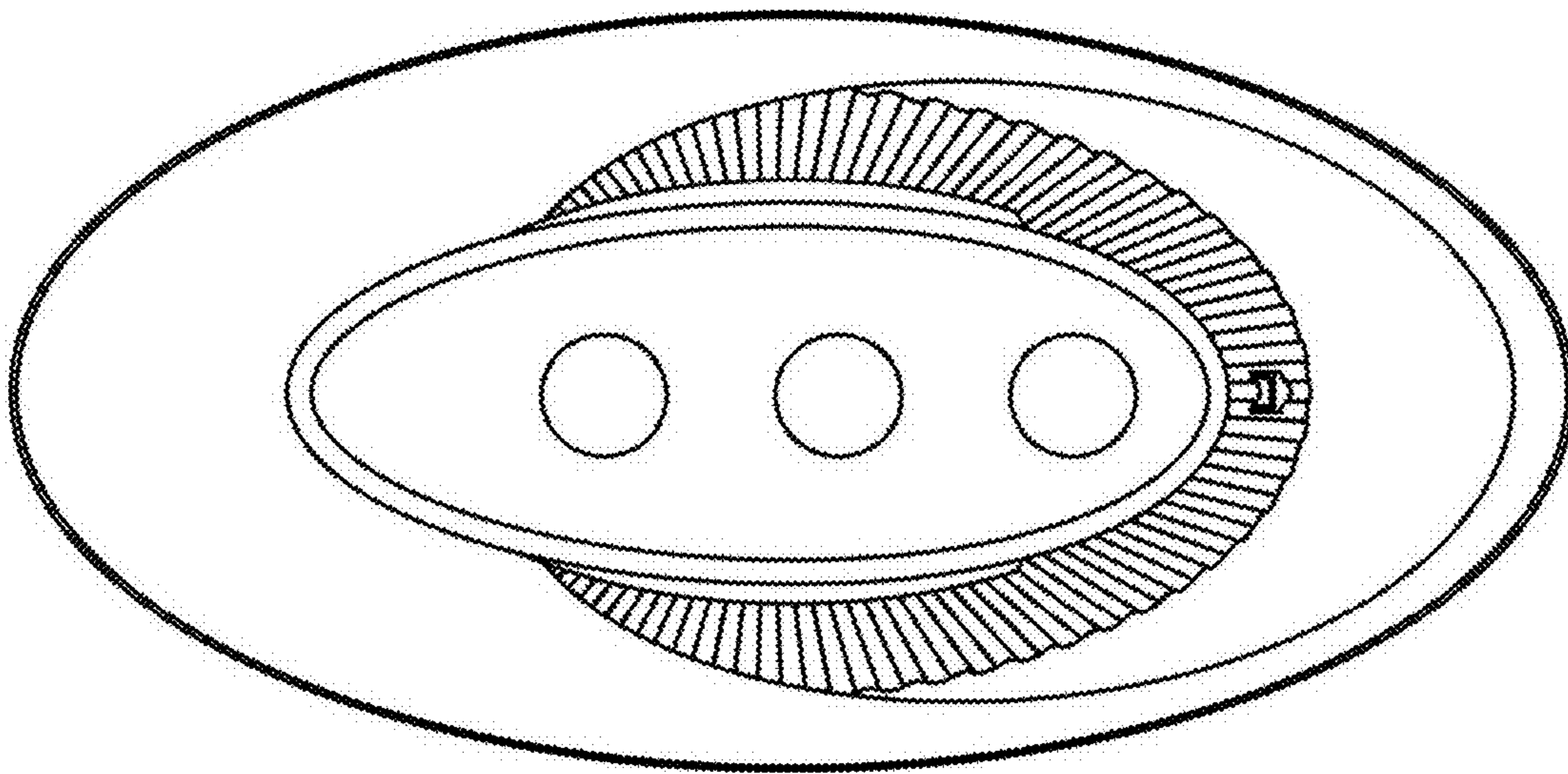
1.3



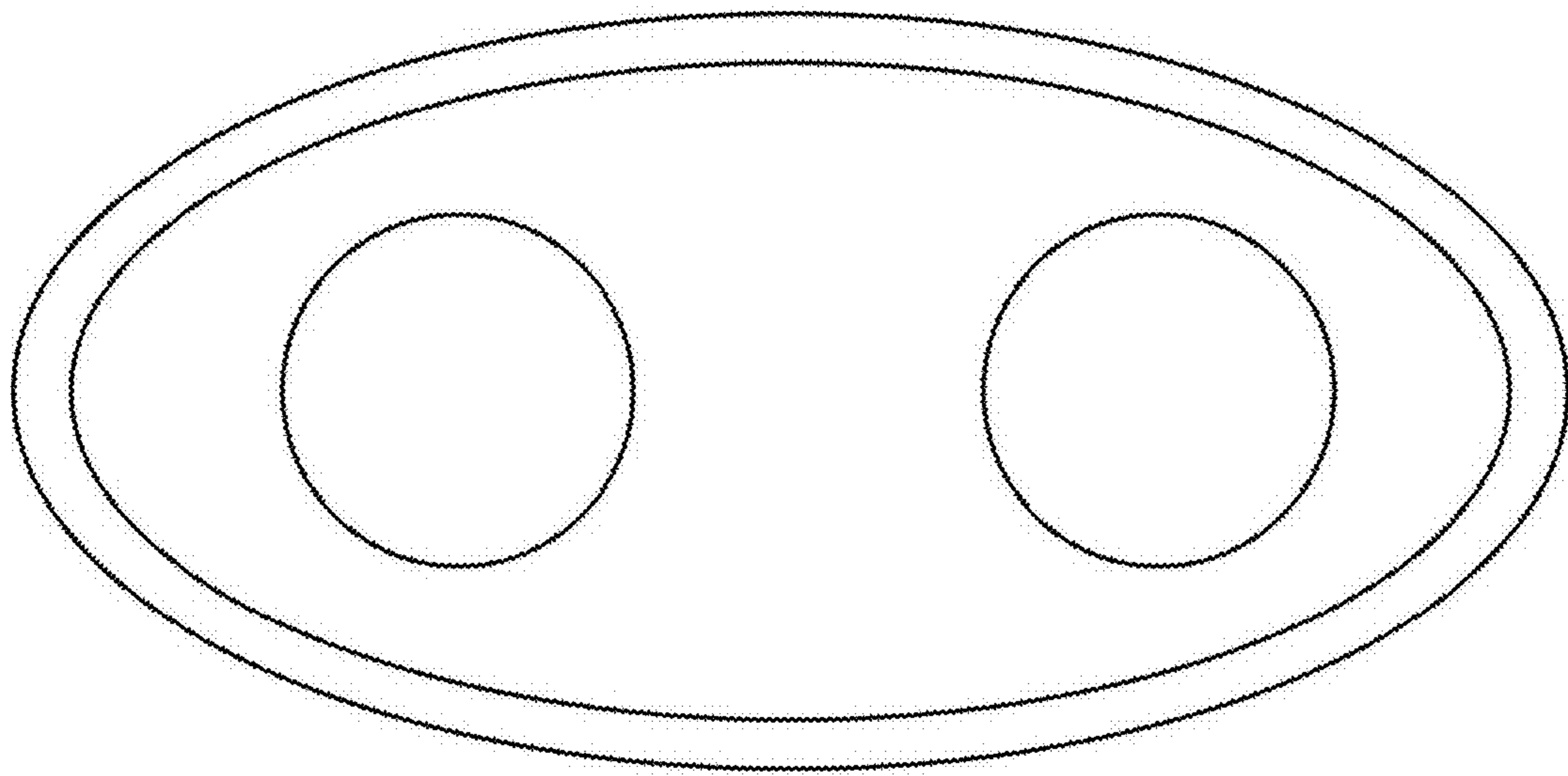
1.4



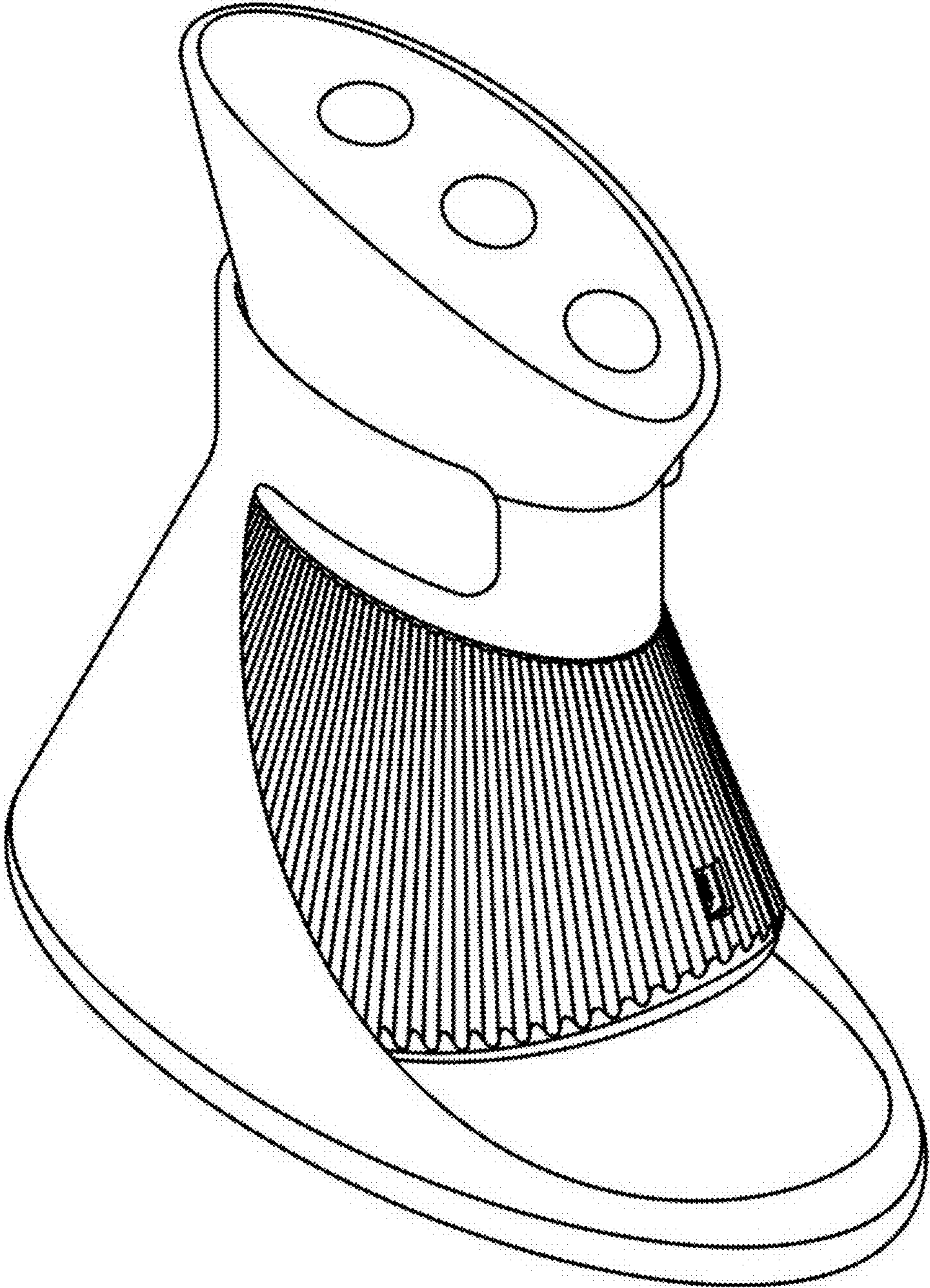
1.5



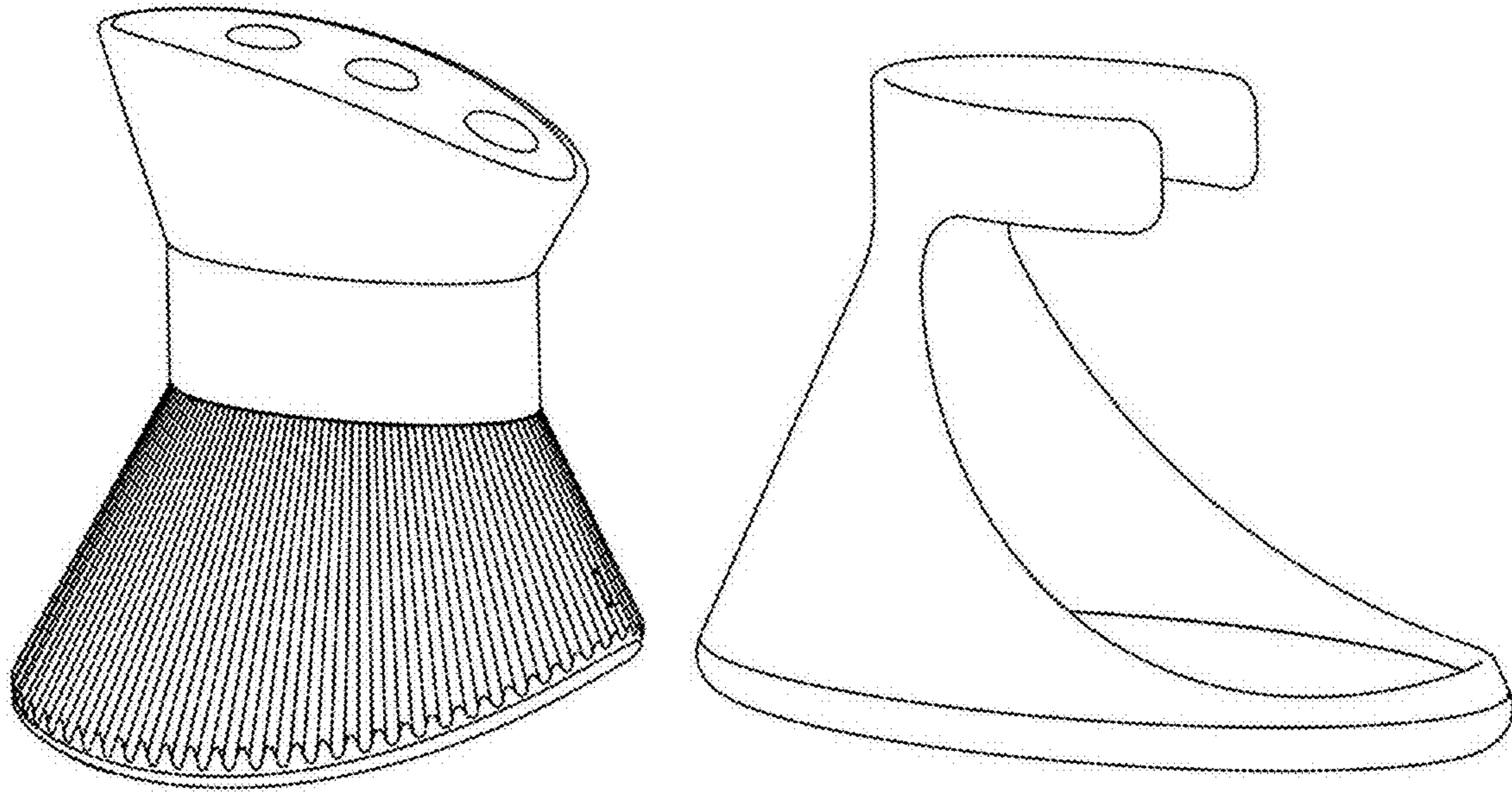
1.6



1.7



1.8



1.9

