



US00D789092S

(12) **United States Design Patent**  
**Ou**

(10) **Patent No.:** **US D789,092 S**

(45) **Date of Patent:** **\*\* Jun. 13, 2017**

(54) **TOOL HOLDER**

(71) Applicant: **Yu-Hua Ou**, Taichung (TW)

(72) Inventor: **Yu-Hua Ou**, Taichung (TW)

(\*\*) Term: **15 Years**

(21) Appl. No.: **29/566,025**

(22) Filed: **May 26, 2016**

(51) **LOC (10) Cl.** ..... **03-02**

(52) **U.S. Cl.**  
USPC ..... **D3/315**

(58) **Field of Classification Search**  
USPC ..... D3/315, 228; D6/567, 682.2; D8/71;  
D9/415

CPC . B25H 3/00; B25H 3/02; B25H 3/003; B25H  
3/023; B25H 3/028; B25H 3/06; B25H  
3/021; B25H 1/04; B25H 1/12

See application file for complete search history.

(56) **References Cited**

**U.S. PATENT DOCUMENTS**

D343,106 S *	1/1994	Eklind	.....	D19/85
D418,406 S *	1/2000	Liao	.....	D9/415
D436,436 S *	1/2001	Lin	.....	D3/228
D459,967 S *	7/2002	Johnson	.....	D8/71
D527,903 S *	9/2006	Chan	.....	D3/315

D621,192 S *	8/2010	Yang	.....	D6/567
D708,853 S *	7/2014	Johnson	.....	D3/315
8,950,597 B2 *	2/2015	Lin	.....	B25H 3/003 206/376
D723,276 S *	3/2015	Johnson	.....	D3/315
D731,795 S *	6/2015	Lai	.....	D3/315

\* cited by examiner

*Primary Examiner* — Charles Hanson

(74) *Attorney, Agent, or Firm* — Muncy, Geissler, Olds & Lowe, P.C.

(57) **CLAIM**

I claim the ornamental design for a tool holder, as shown and described.

**DESCRIPTION**

FIG. 1 is a right, front, top perspective view of a tool holder showing my new design;

FIG. 2 is a front elevational view thereof;

FIG. 3 is a rear elevational view thereof;

FIG. 4 is a left side view thereof;

FIG. 5 is a right side view thereof;

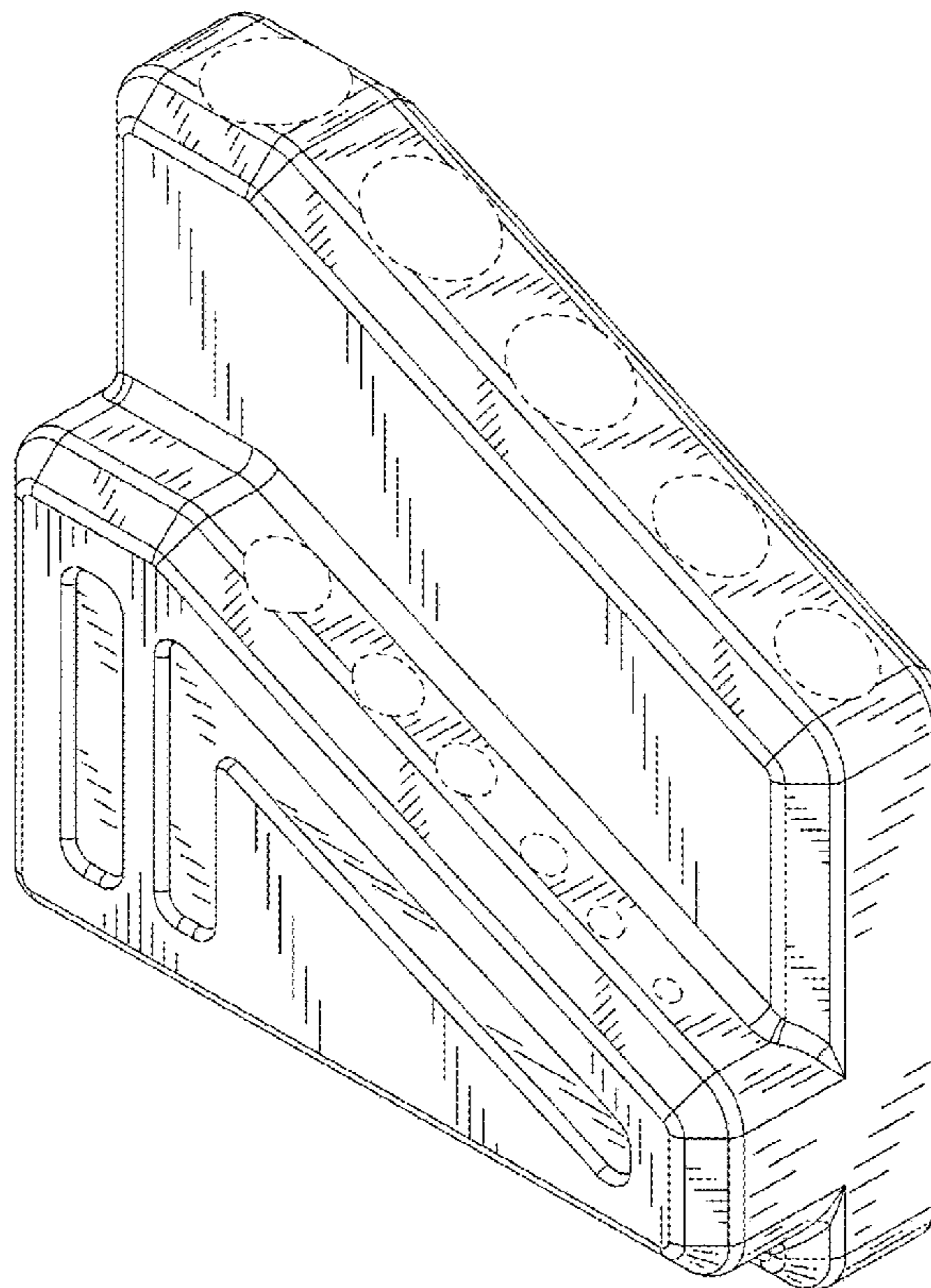
FIG. 6 is a top plan view thereof;

FIG. 7 is a bottom plan view thereof; and,

FIG. 8 is a left, front, bottom perspective view.

The broken lines in the drawings illustrate portions of the tool holder which form no part of the claimed design.

**1 Claim, 6 Drawing Sheets**



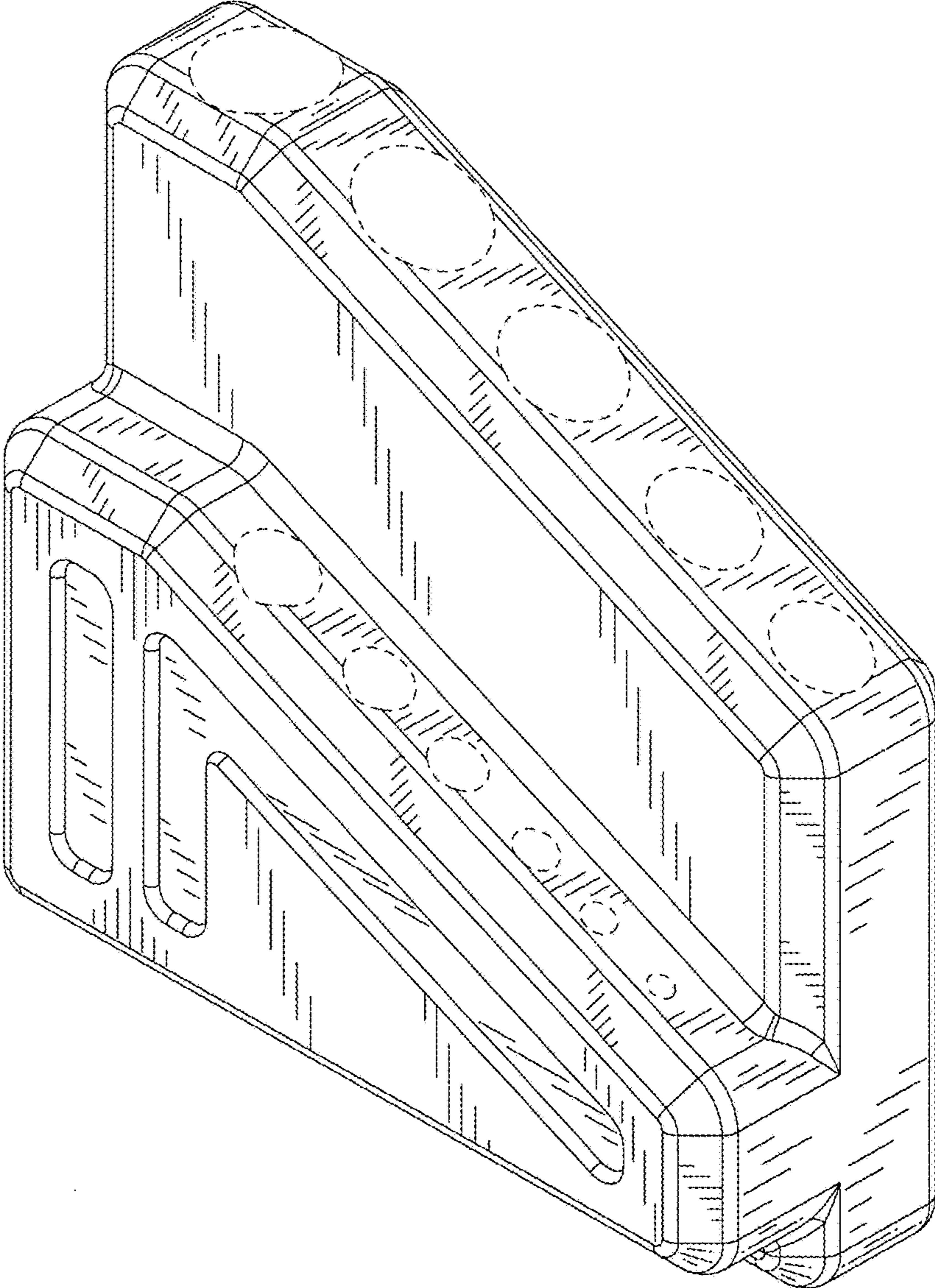


FIG. 1

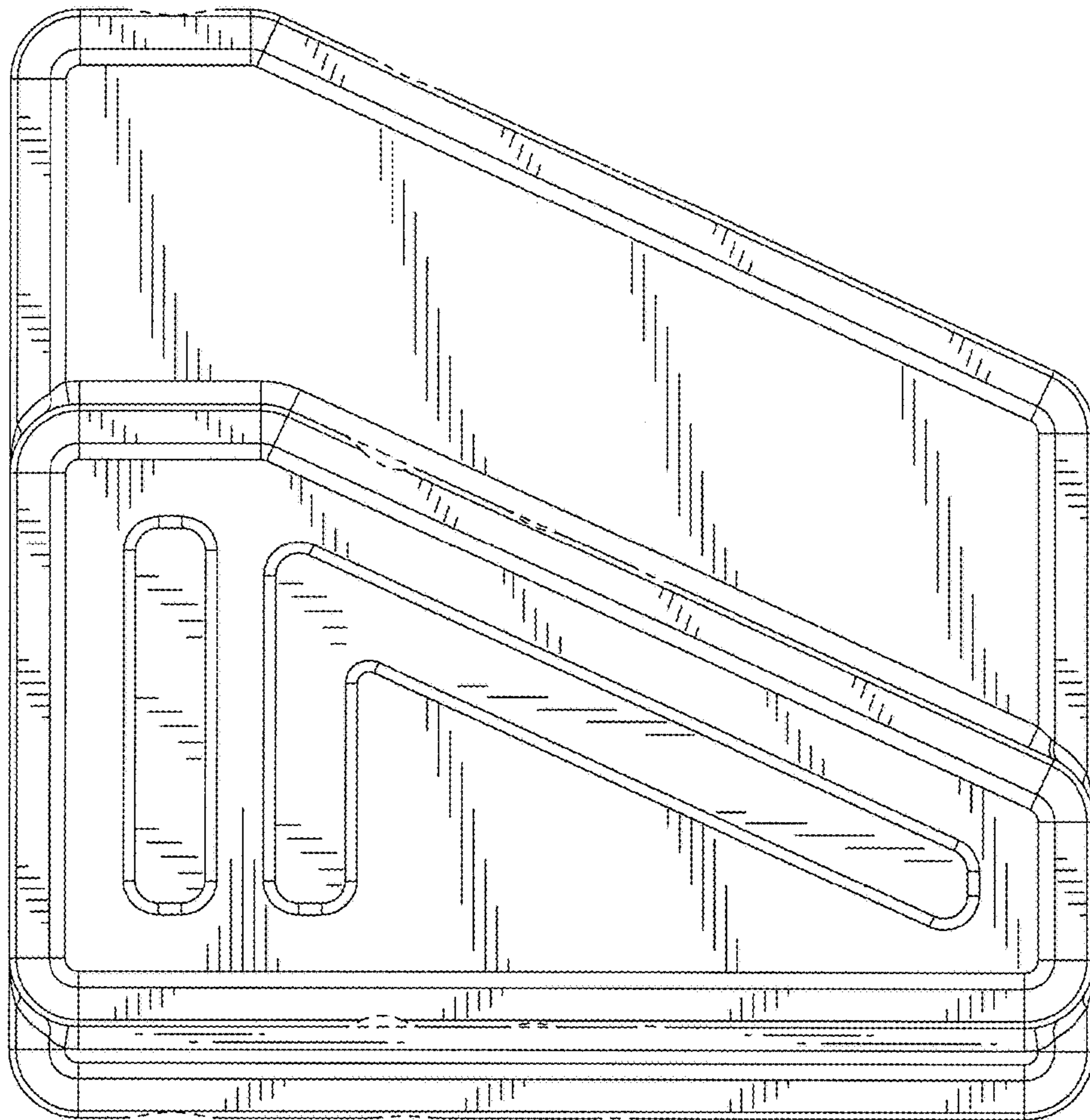


FIG. 2



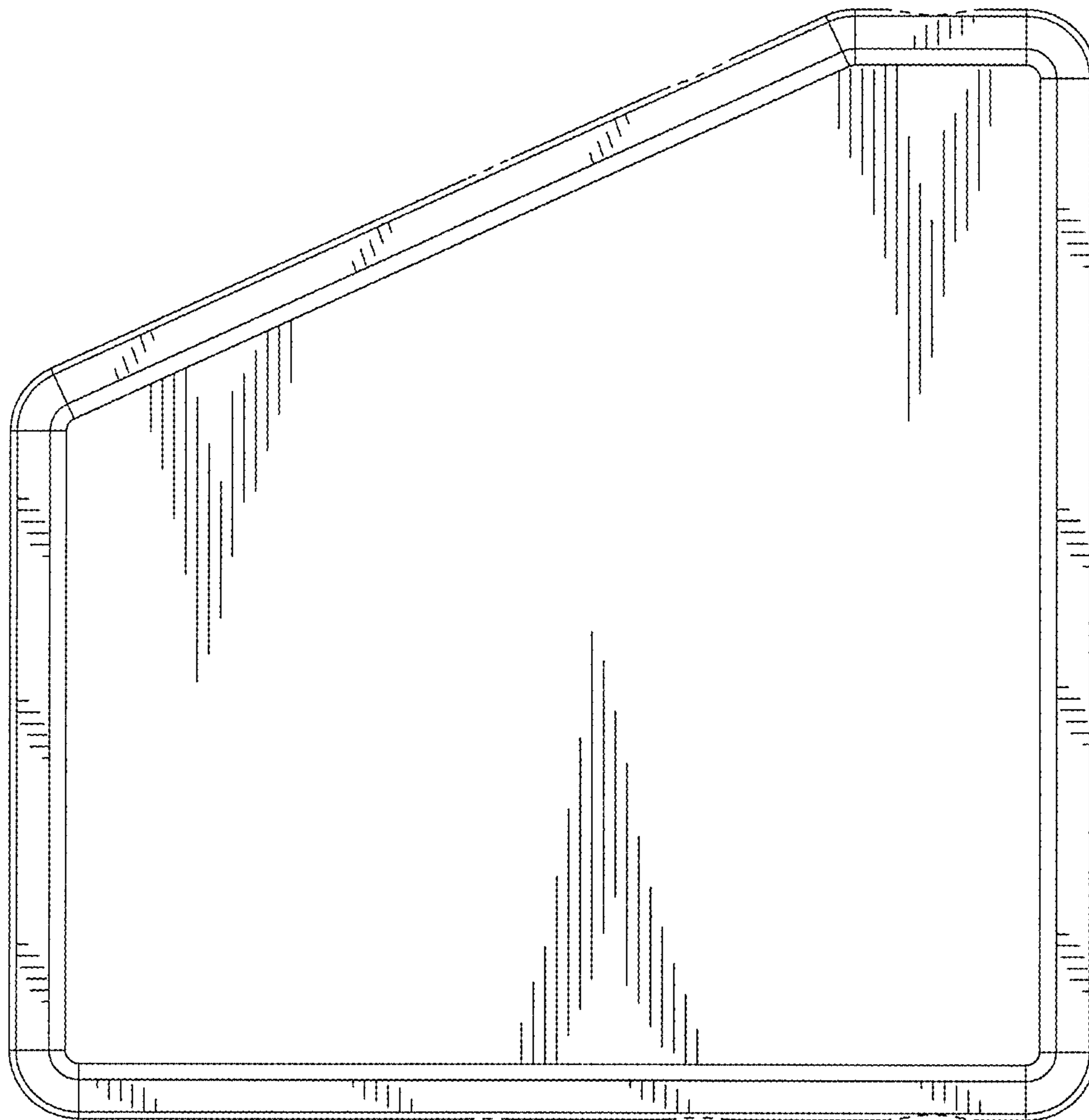


FIG. 3

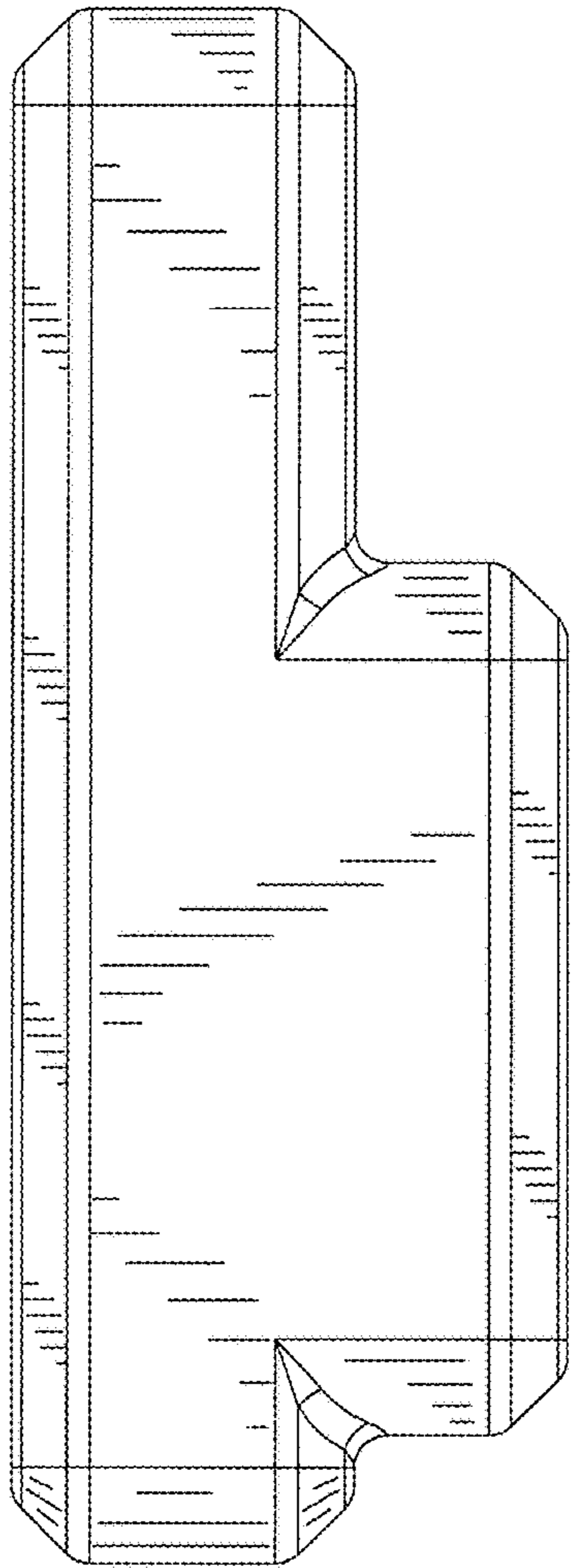


FIG. 4

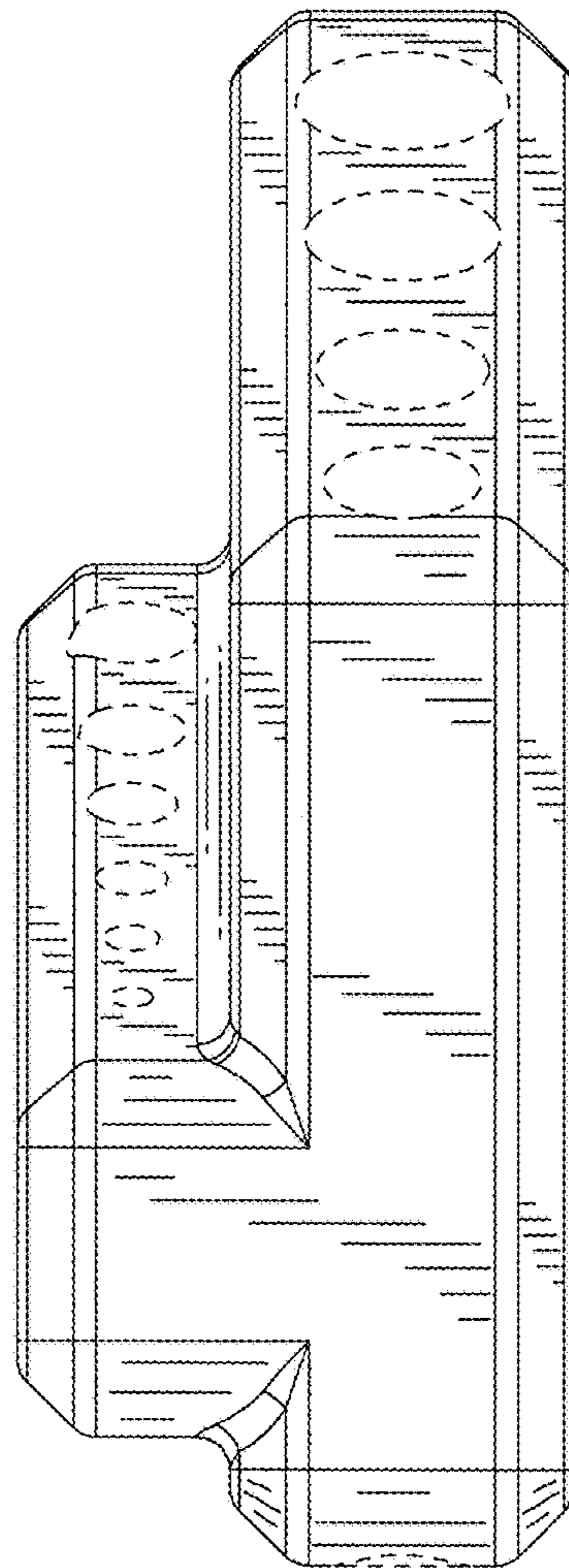


FIG. 5

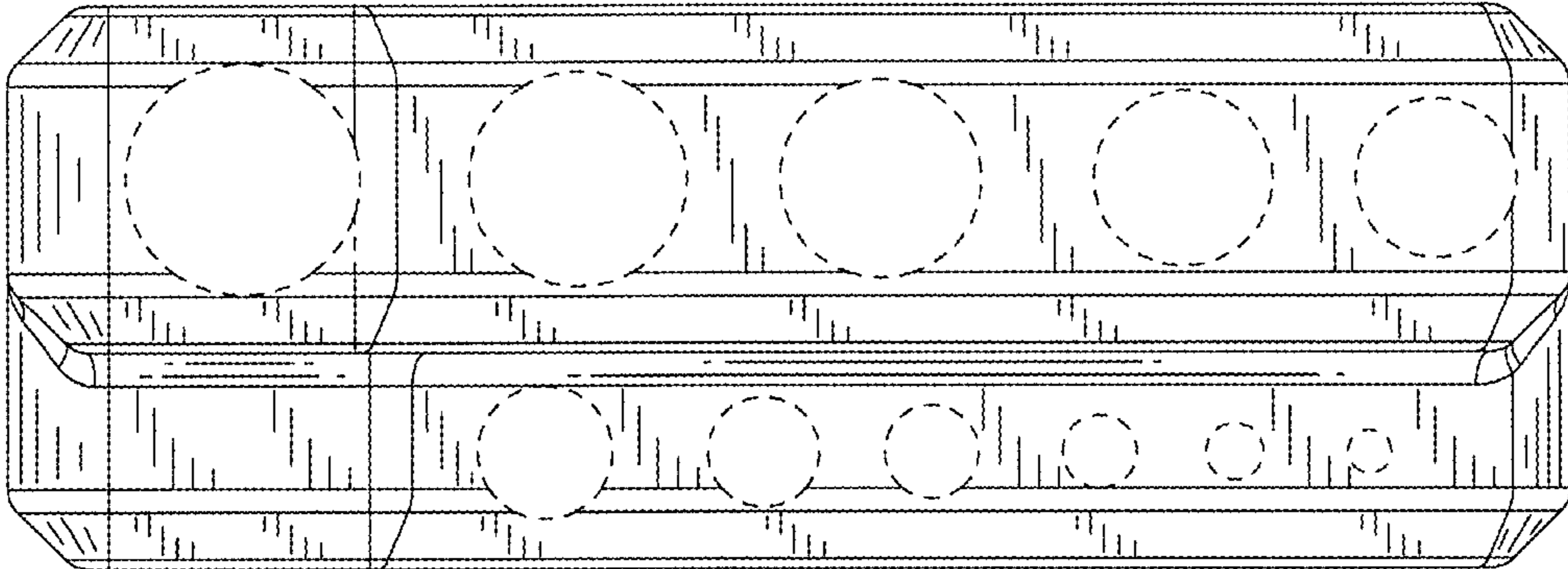


FIG. 6

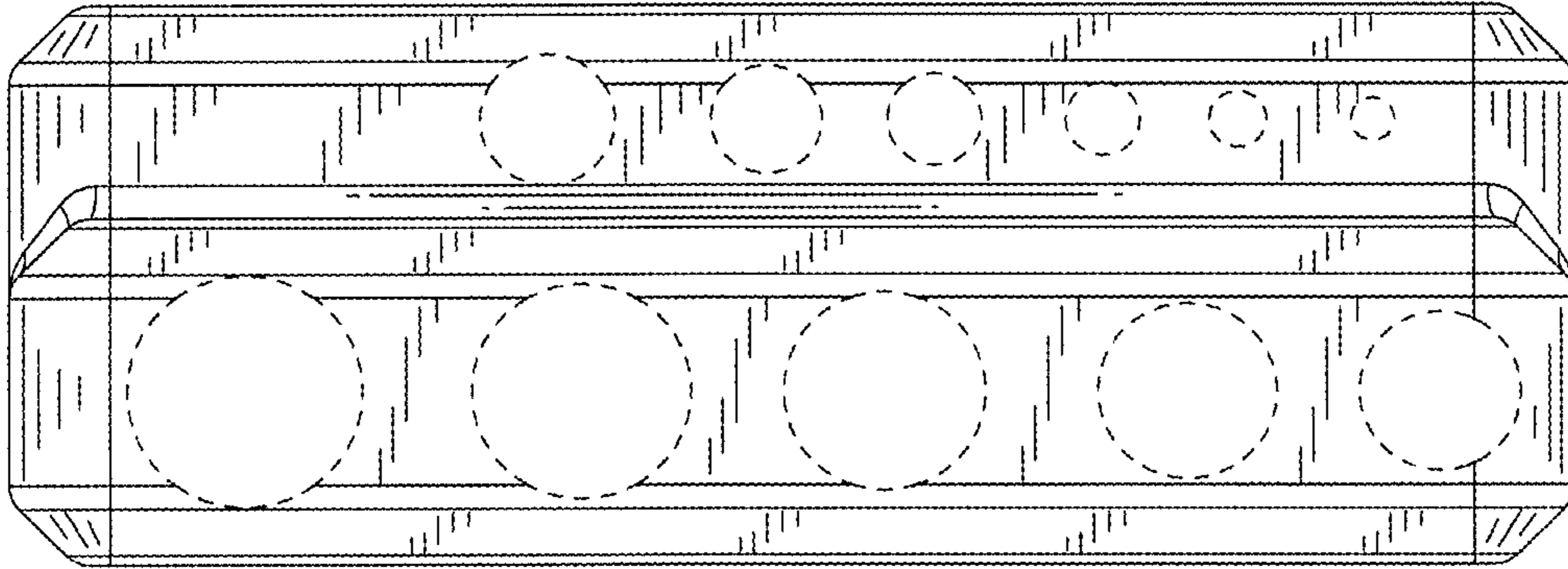


FIG. 7

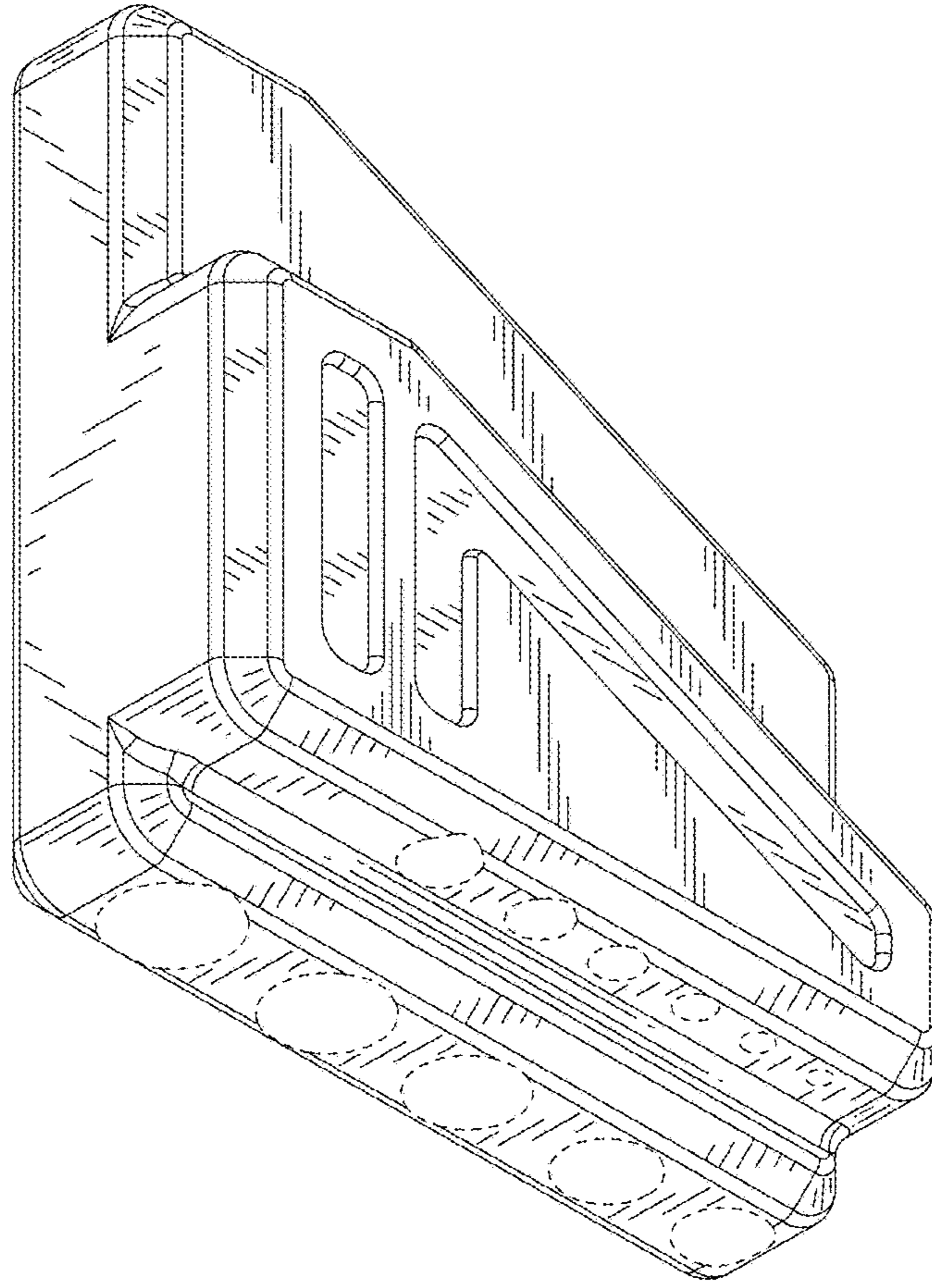


FIG. 8