



US00D789091S

(12) **United States Design Patent** (10) **Patent No.:** **US D789,091 S**
Lai (45) **Date of Patent:** **** Jun. 13, 2017**

(54) **ROTO-CADDY**

(71) Applicant: **INWOOD INDUSTRIES CO., LTD,**
New Taipei (TW)

(72) Inventor: **Mao-Ming Lai,** New Taipei (TW)

(73) Assignee: **INWOOD INDUSTRIES CO., LTD,**
New Taipei (TW)

(**) Term: **14 Years**

(21) Appl. No.: **29/517,595**

(22) Filed: **Feb. 13, 2015**

(51) **LOC (10) Cl.** **03-03**

(52) **U.S. Cl.**
USPC **D3/315**

(58) **Field of Classification Search**
USPC D3/315; D7/501
CPC . A47G 23/08; A47G 23/06; A47F 5/02; A47J
47/00; B43M 99/008
See application file for complete search history.

(56) **References Cited**

U.S. PATENT DOCUMENTS

4,754,111 A * 6/1988 Pomeroy H05B 6/6411
108/20
5,992,624 A * 11/1999 Hodson B25H 3/00
206/372
D523,637 S * 6/2006 Chang D3/315
7,559,514 B1 * 7/2009 Wynter A47J 47/16
206/427
D665,172 S * 8/2012 Fulghum D3/315

OTHER PUBLICATIONS

https://www.youtube.com/watch?v=B9jj_h3gjgo.*

* cited by examiner

Primary Examiner — Charles Hanson

(74) *Attorney, Agent, or Firm* — Muncy, Geissler, Olds & Lowe, P.C.

(57) **CLAIM**

The ornamental design for roto-caddy, as shown and described.

DESCRIPTION

FIG. 1 is a first perspective view of roto-caddy, showing our new design;

FIG. 2 is a second perspective view thereof;

FIG. 3 is a third perspective view thereof;

FIG. 4 is a fourth perspective view thereof;

FIG. 5 is a fifth perspective view thereof;

FIG. 6 is a sixth perspective view thereof;

FIG. 7 is a seventh perspective view thereof;

FIG. 8 is a eighth perspective view thereof;

FIG. 9 is a ninth perspective view thereof;

FIG. 10 is a tenth perspective view thereof;

FIG. 11 is a front elevational view thereof;

FIG. 12 is a rear elevational view thereof;

FIG. 13 is a left side elevational view thereof;

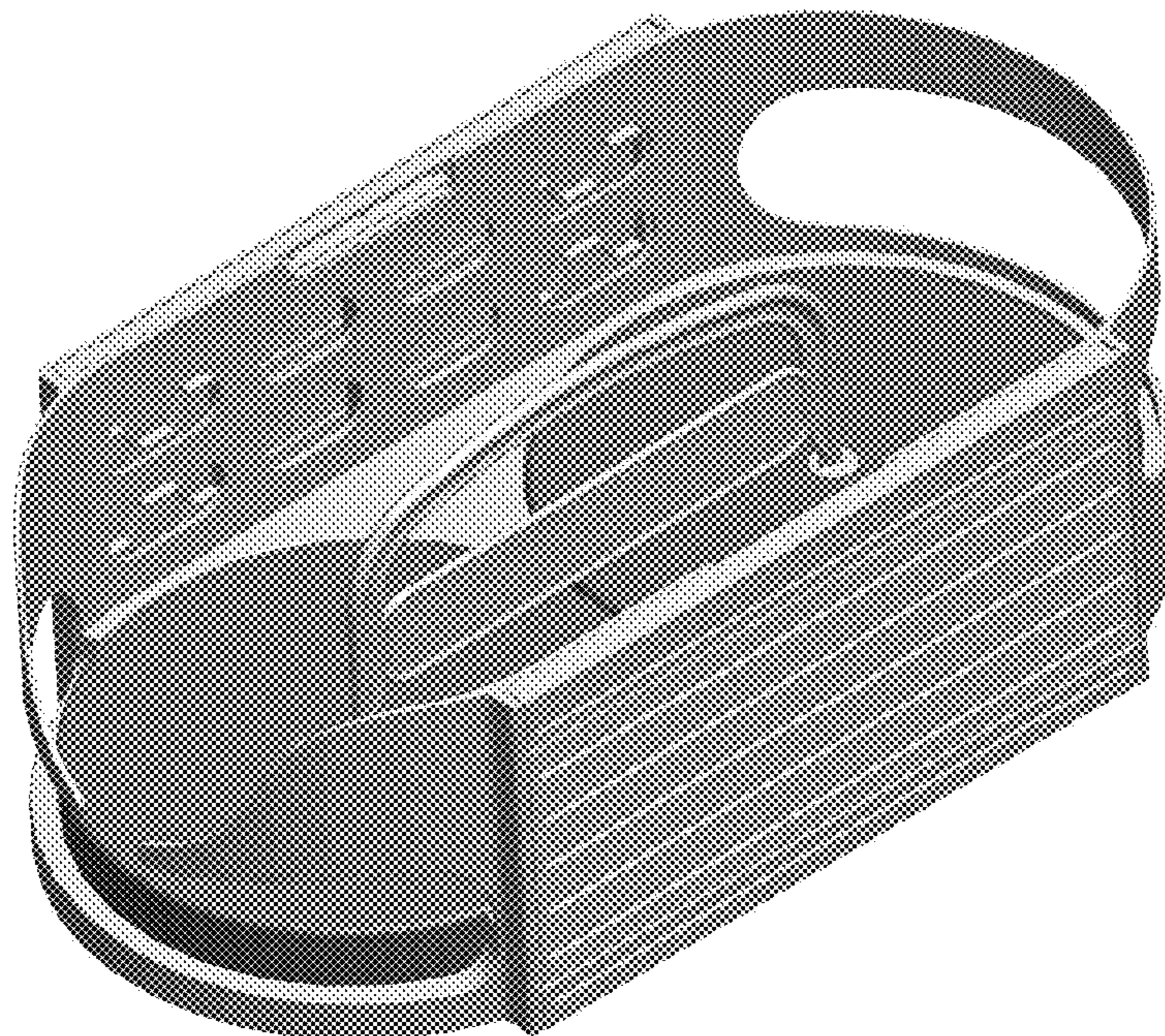
FIG. 14 is a right side elevational view thereof;

FIG. 15 is a top elevational view thereof; and,

FIG. 16 is a bottom elevational view thereof.

The differences in tonality in the drawings depict different components of the roto-caddy.

1 Claim, 16 Drawing Sheets



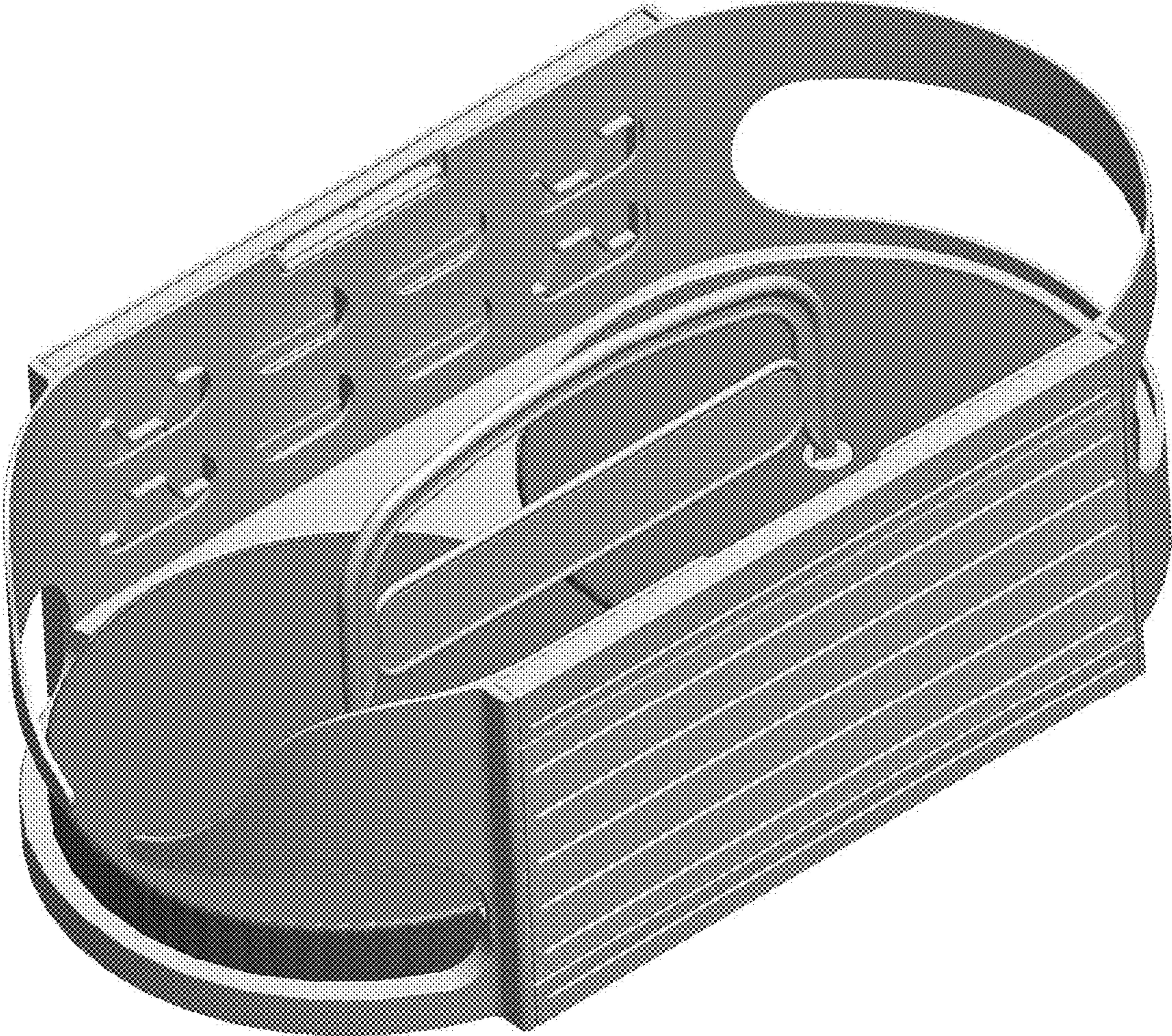


FIG. 1

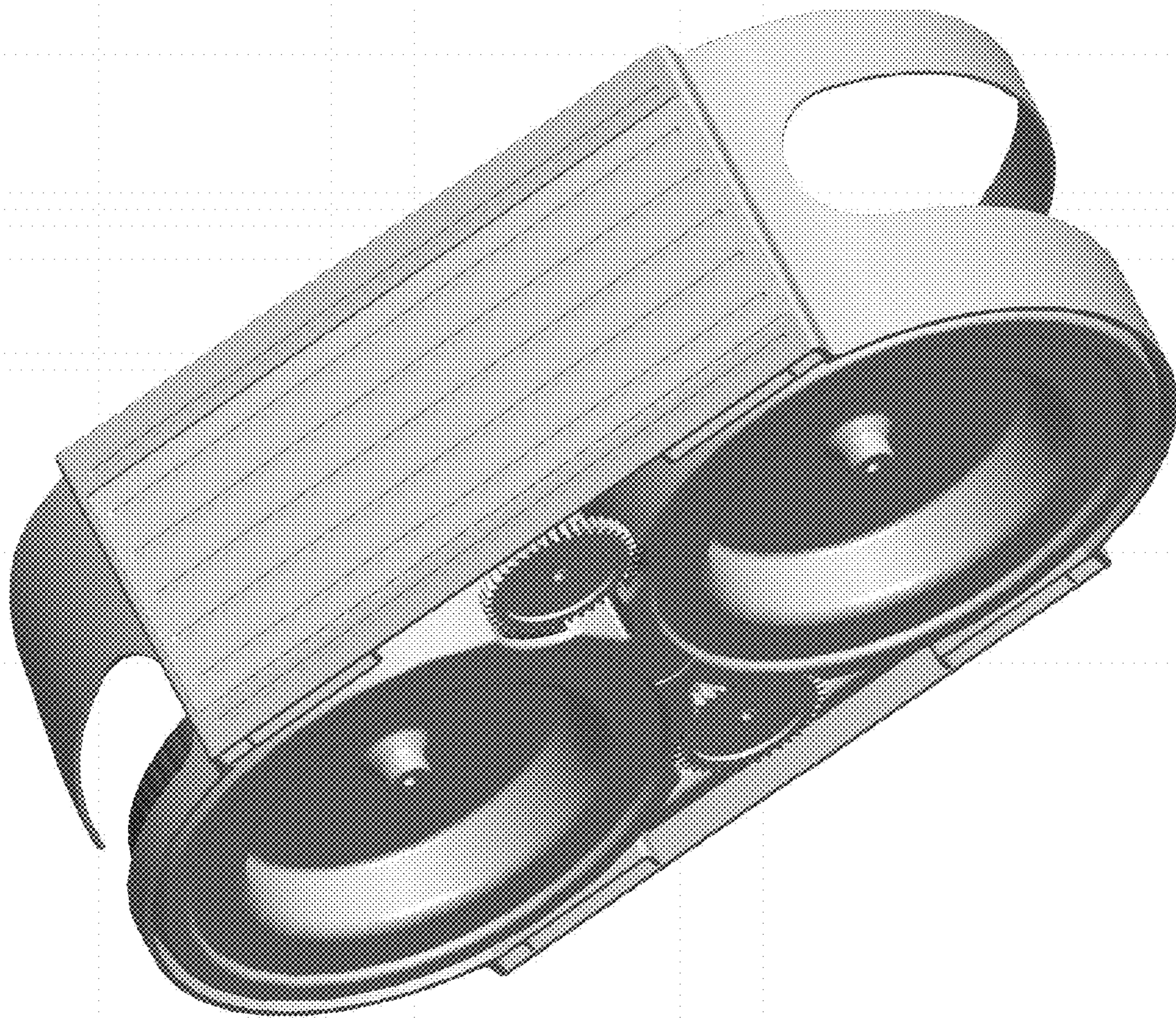


FIG. 2

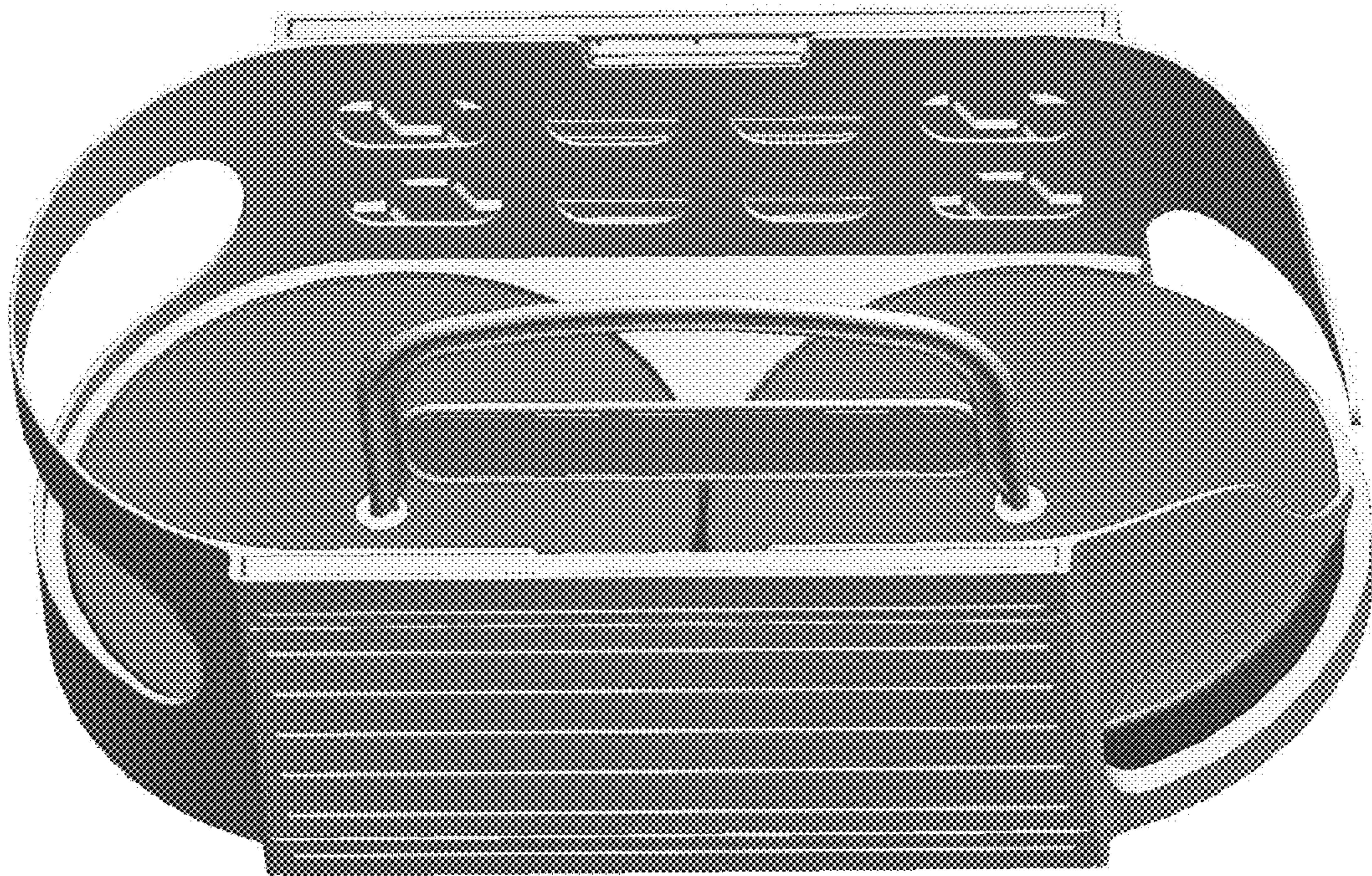


FIG. 3



FIG. 4

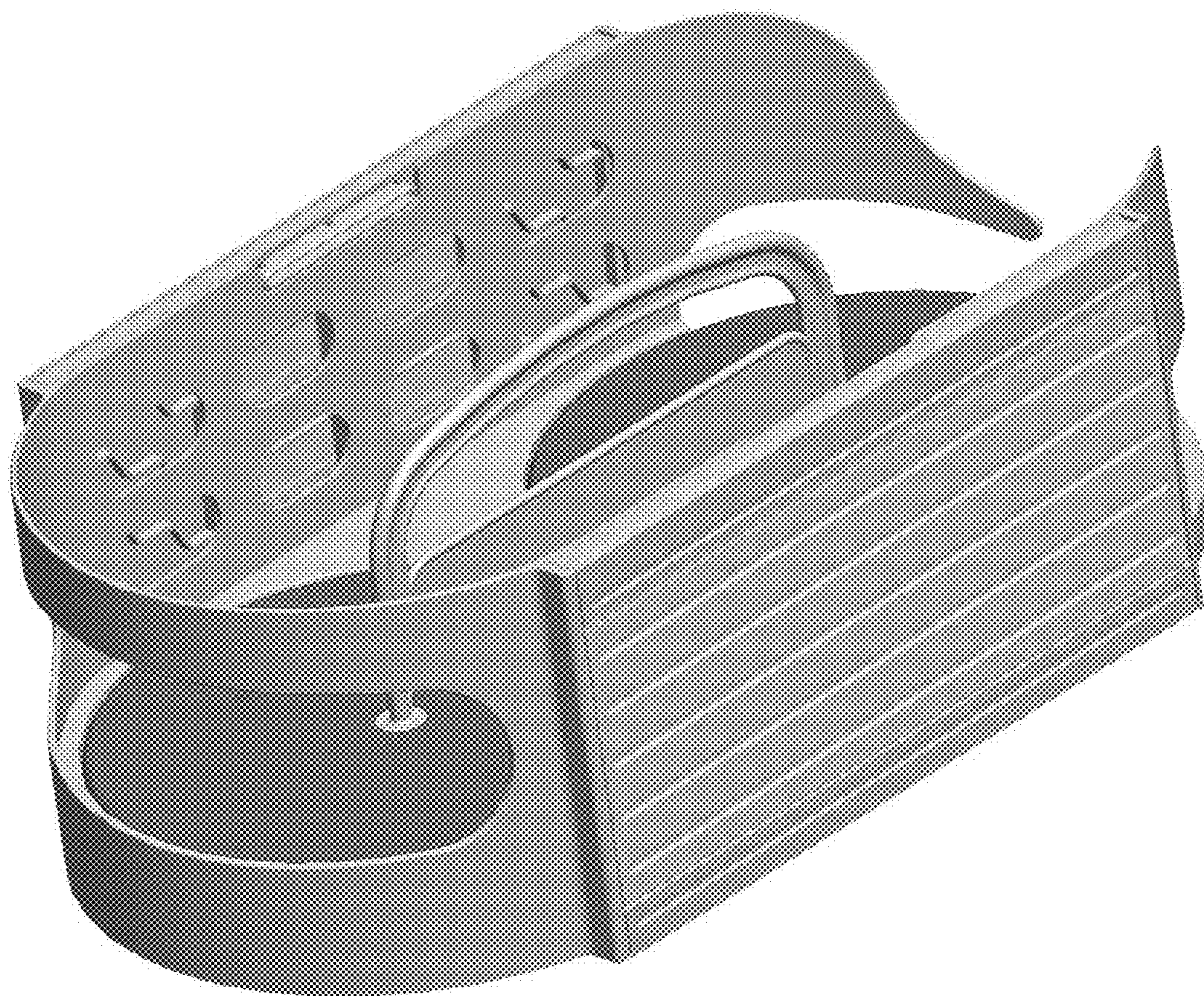


FIG. 5

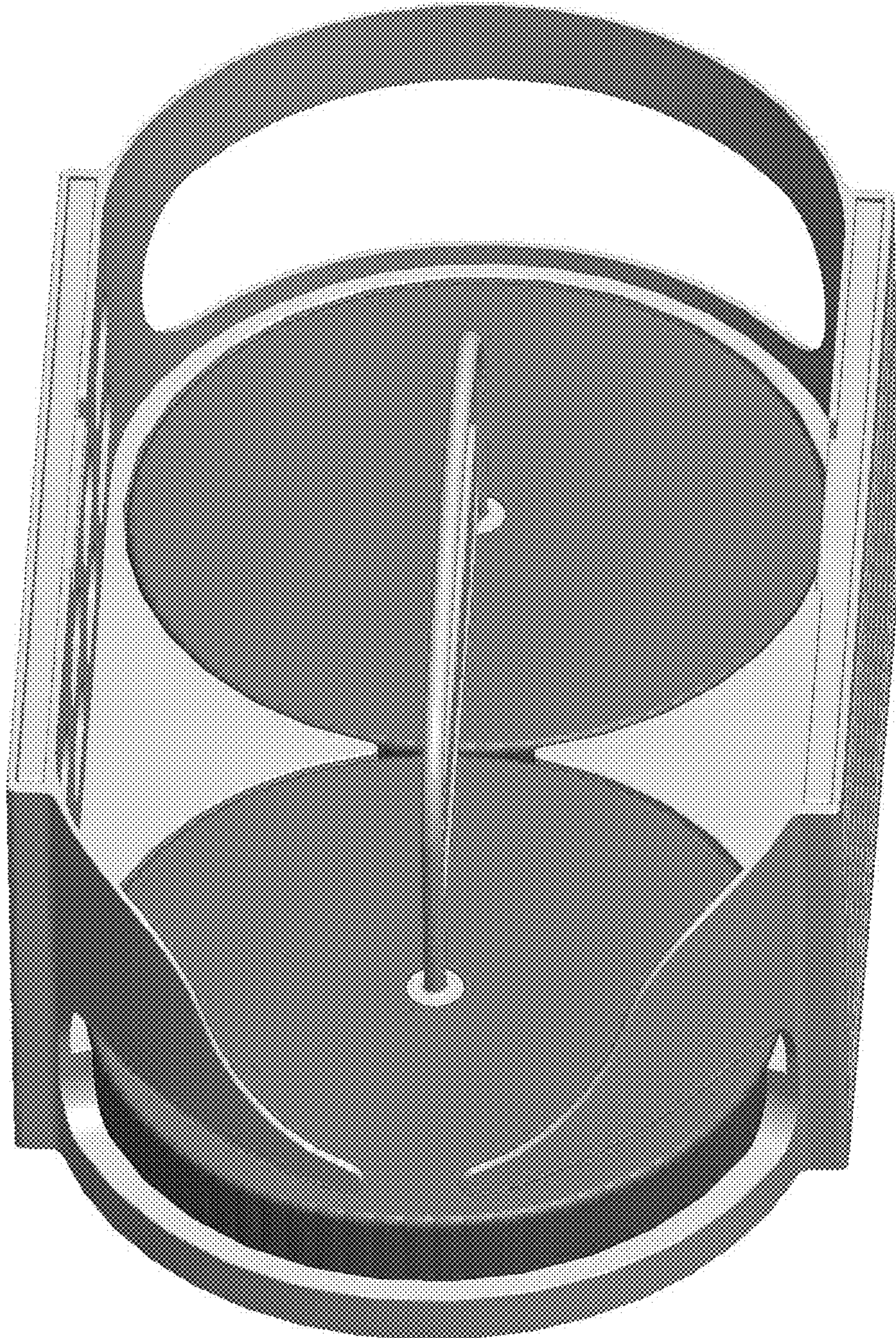


FIG. 6

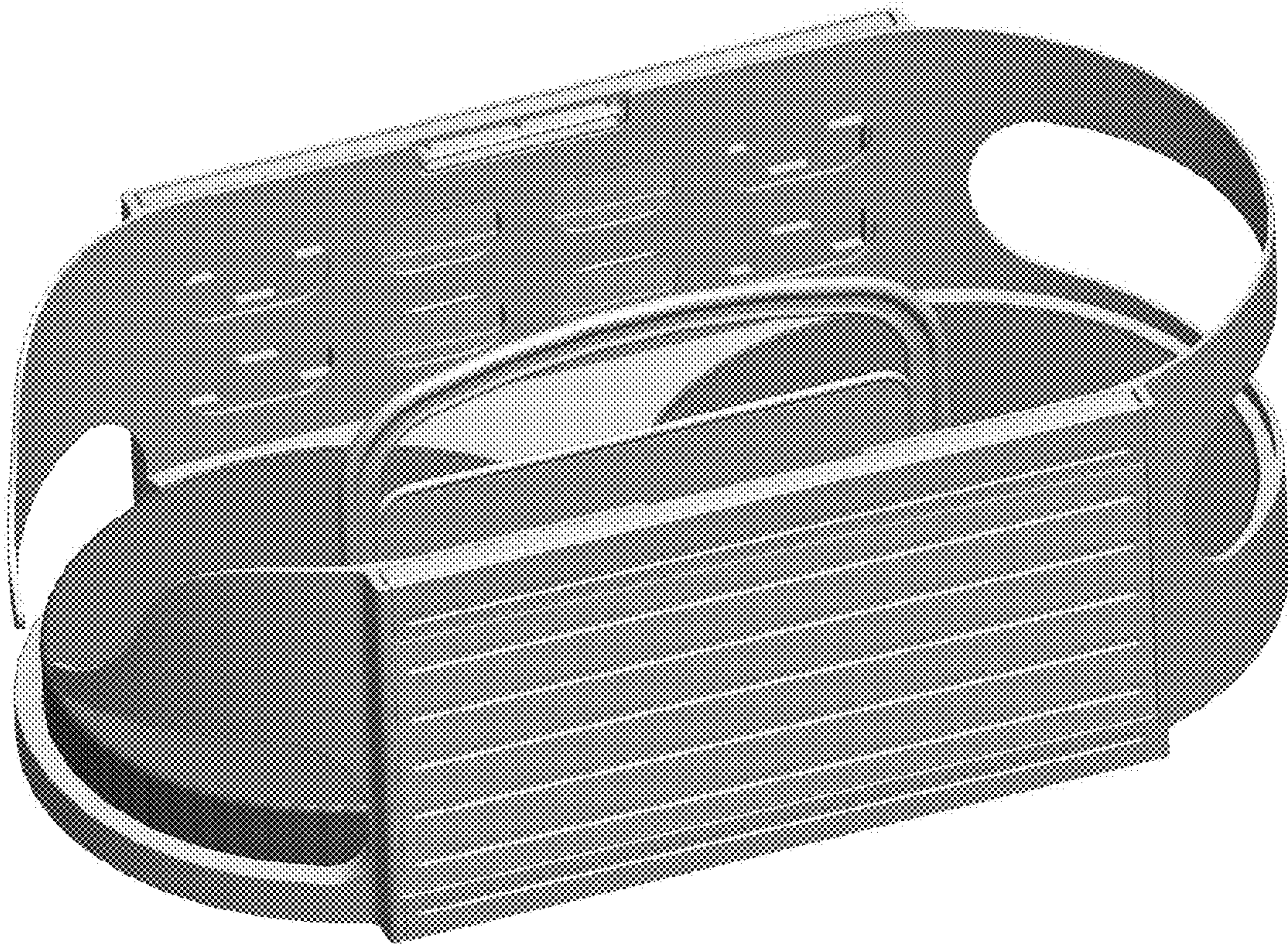


FIG. 7

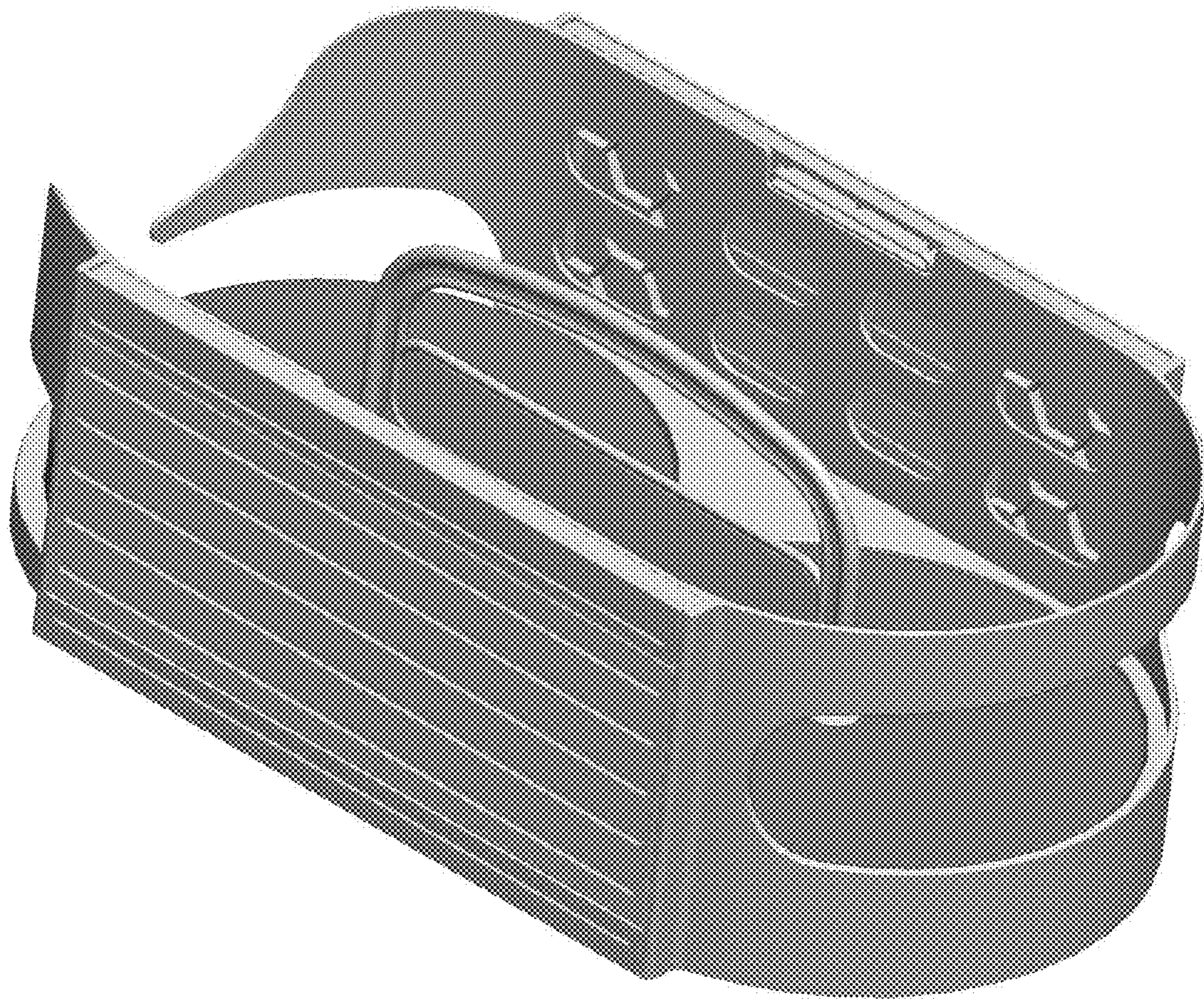


FIG. 8

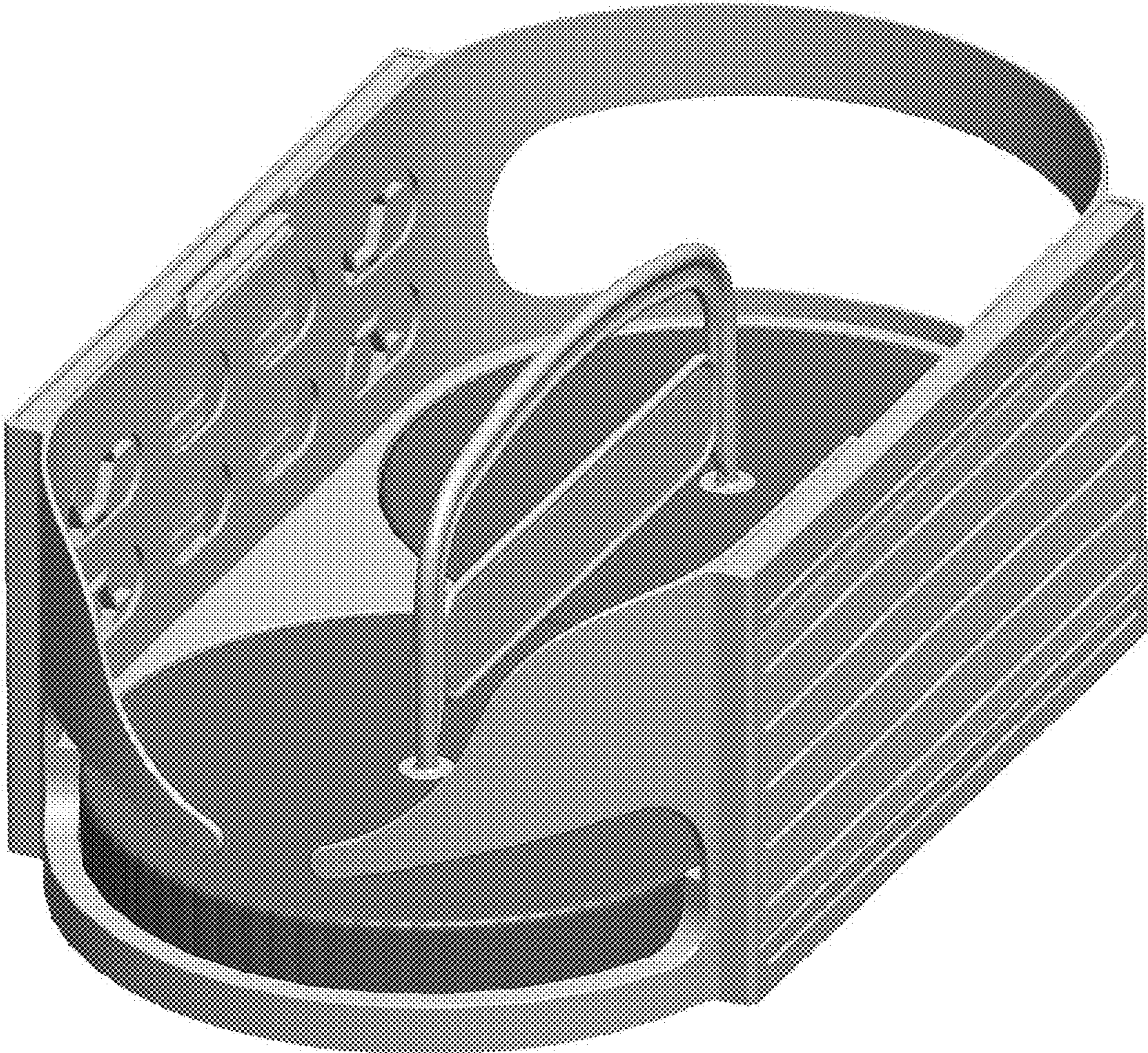


FIG. 9

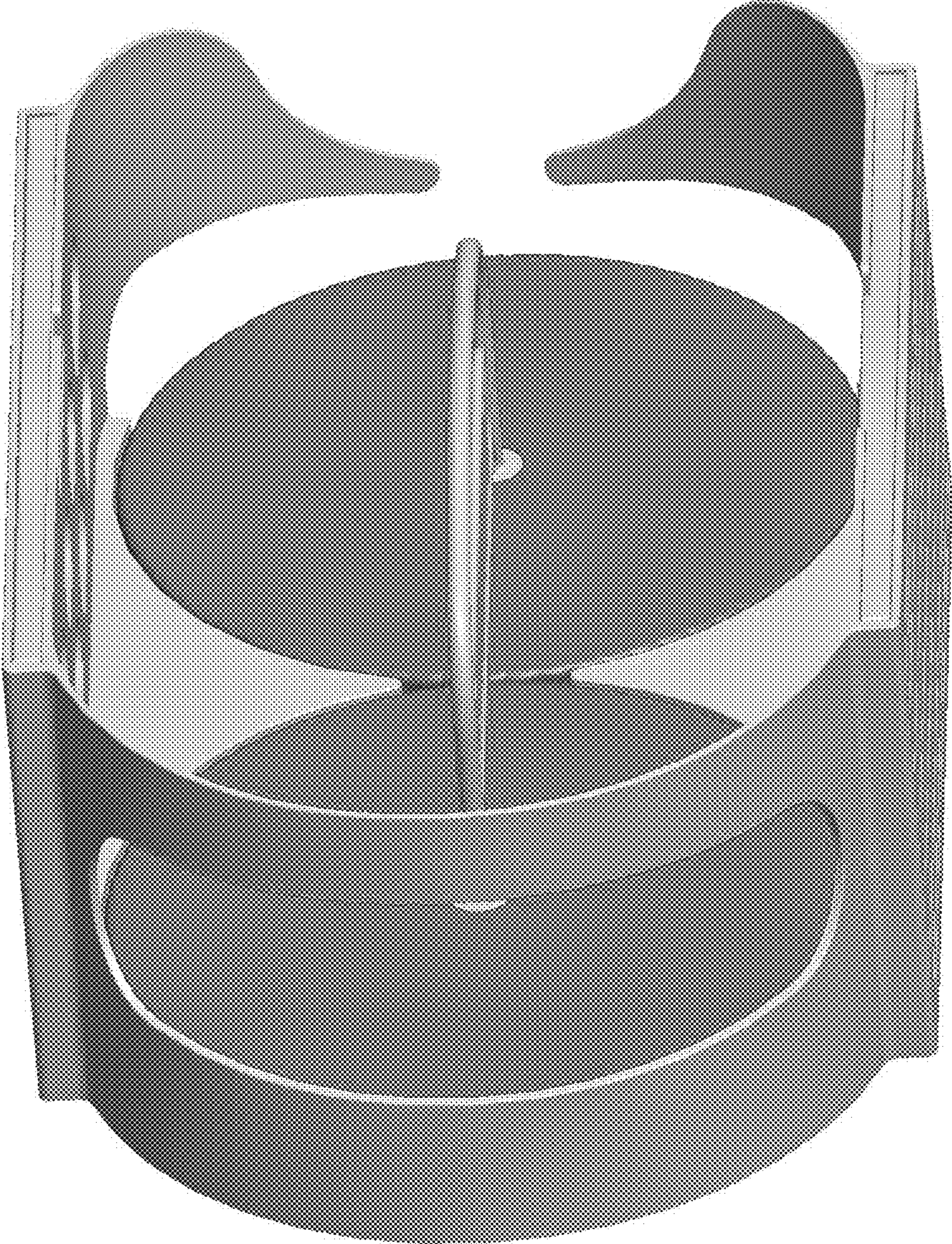


FIG. 10

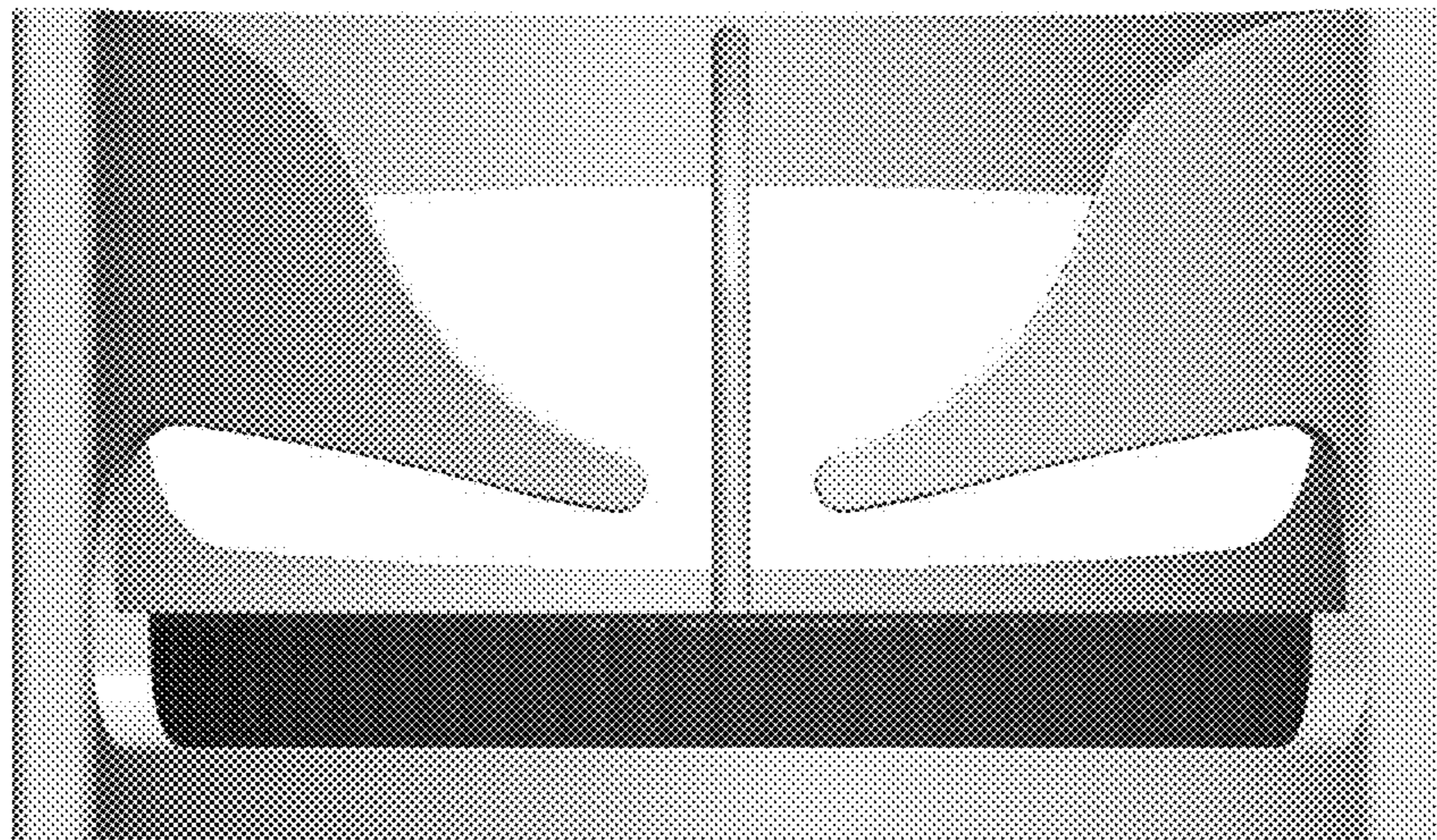


FIG. 11

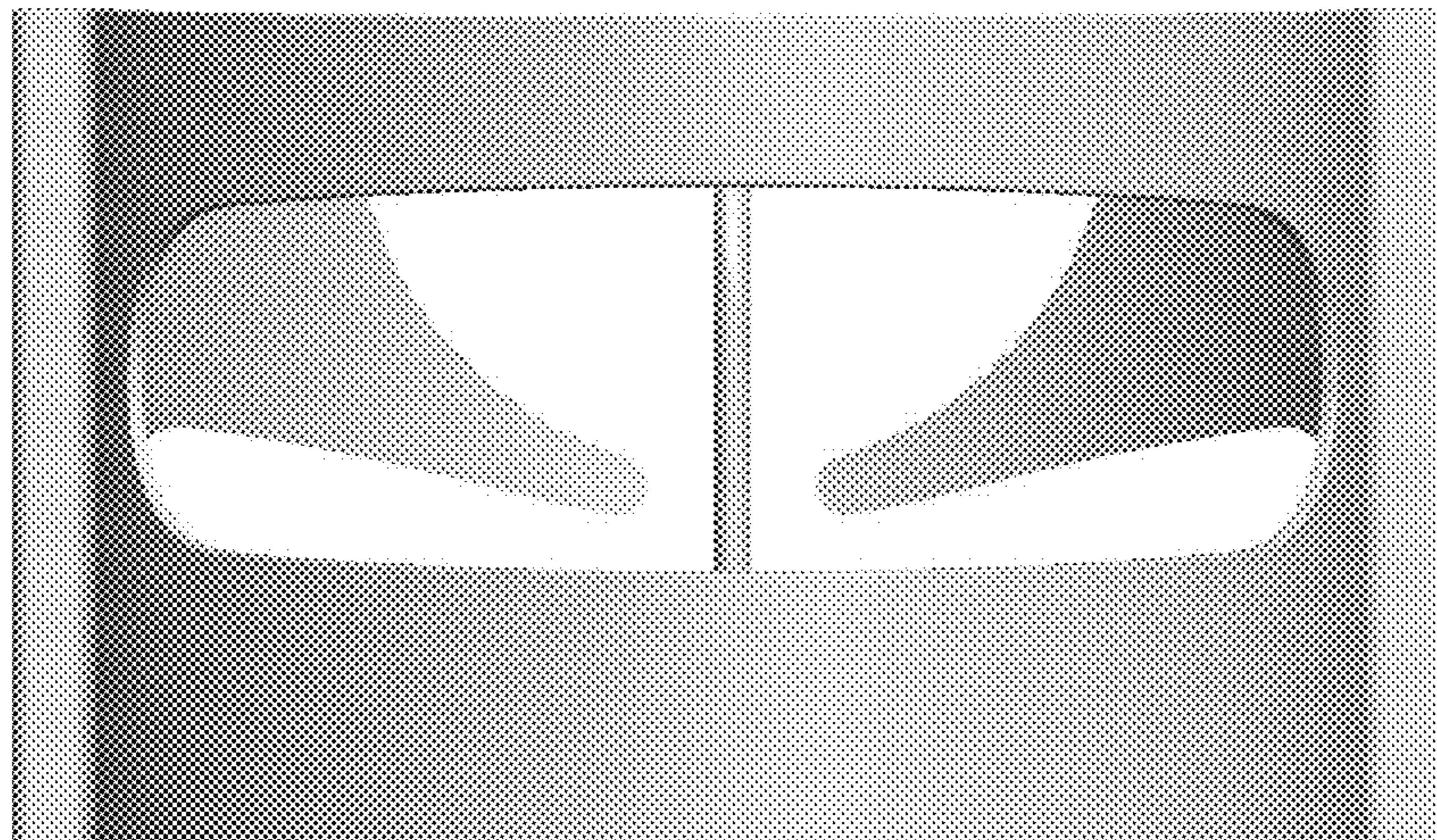


FIG. 12

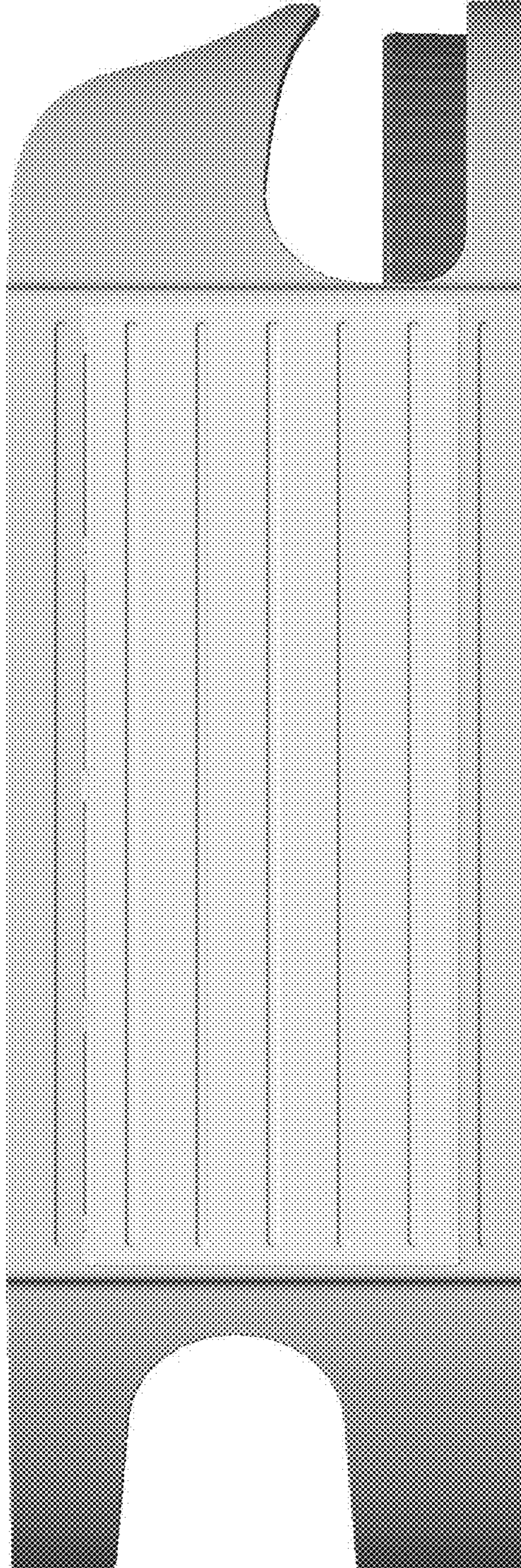


FIG. 13

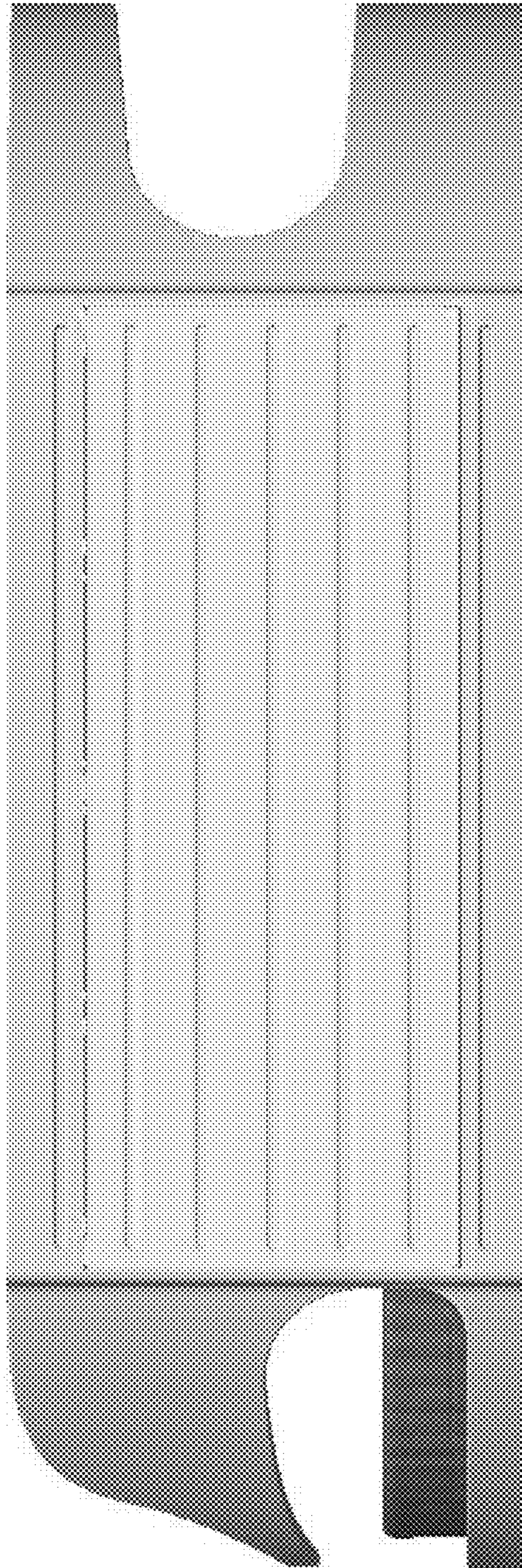


FIG. 14

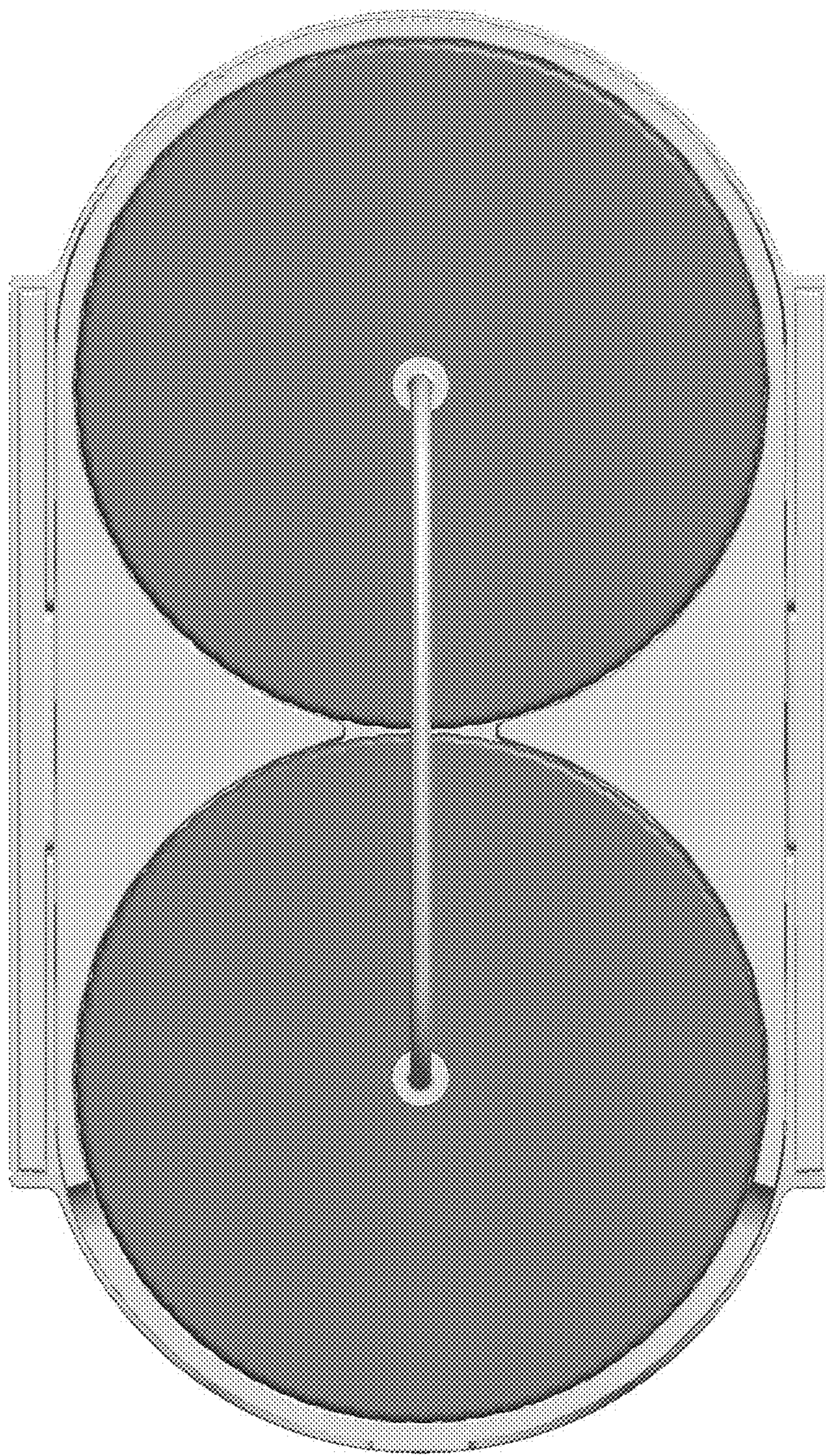


FIG. 15

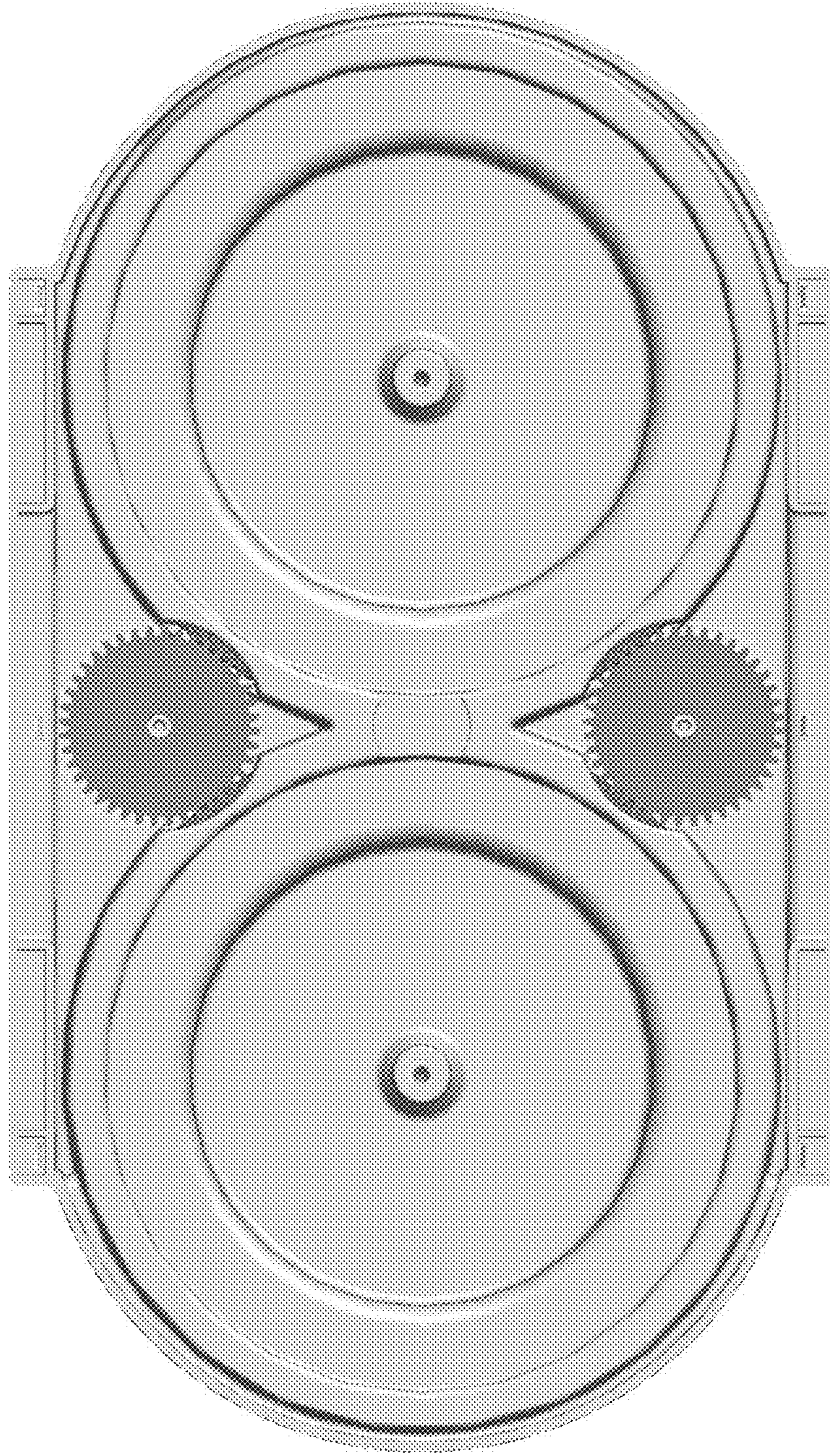


FIG. 16