



US00D789088S

(12) **United States Design Patent**
Stuart et al.

(10) **Patent No.:** **US D789,088 S**
(45) **Date of Patent:** **** Jun. 13, 2017**

(54) **INTERLOCKING CONTAINER**

- (71) Applicant: **DEFLECTO, LLC**, Indianapolis, IN (US)
- (72) Inventors: **Christopher Stuart**, Noblesville, IN (US); **James DeChant**, Carmel, IN (US); **Patrick Foley**, Fishers, IN (US); **Danielle Rodgers**, Indianapolis, IN (US); **Cyril Bennett**, Indianapolis, IN (US); **Rich Shafer**, Indianapolis, IN (US); **Robin Wang**, Foshan (CN)

(**) Term: **14 Years**

(21) Appl. No.: **29/513,700**

(22) Filed: **Jan. 5, 2015**

(51) **LOC (10) Cl.** **03-01**

(52) **U.S. Cl.**
USPC **D3/297**

(58) **Field of Classification Search**
USPC D3/273, 274, 275, 276, 281, 284, 292,
D3/294, 295, 296, 297, 299, 905, 901,
(Continued)

(56) **References Cited**

U.S. PATENT DOCUMENTS

- D430,489 S * 9/2000 Bowers D9/416
 - D519,828 S * 5/2006 Cavero D9/417
- (Continued)

Primary Examiner — Sandra Snapp

Assistant Examiner — Holly E Thurman

(74) *Attorney, Agent, or Firm* — Dentons US LLP; Brian R. McGinley

(57) **CLAIM**

The ornamental design for a interlocking container, as shown and described.

DESCRIPTION

FIG. 1 is a front perspective view of an interlocking container illustrating the new design and showing the design in an open configuration;

FIG. 2 is a front perspective view of the first embodiment of an interlocking container illustrating the new design and showing the design in a closed configuration;

FIG. 3 is a rear perspective view of the first embodiment of an interlocking container illustrating the new design and showing the design in an open configuration;

FIG. 4 is a rear perspective view of the first embodiment of an interlocking container illustrating the new design and showing the design in a closed configuration;

FIG. 5 is a front perspective view of a second embodiment of an interlocking container illustrating the new design and showing the design in an open configuration;

FIG. 6 is a front perspective view of the second embodiment of an interlocking container illustrating the new design and showing the design in a closed configuration;

FIG. 7 is a rear perspective view of a second embodiment of an interlocking container illustrating the new design and showing the design in an open configuration;

FIG. 8 is a rear perspective view of the second embodiment of an interlocking container illustrating the new design and showing the design in a closed configuration;

FIG. 9 is a front view of the first embodiment of the interlocking container of FIG. 1 showing the design in an open configuration;

FIG. 10 is a front view of the first embodiment of the interlocking container of FIG. 2 showing the design in a closed configuration;

FIG. 11 is a rear view of the first embodiment of the interlocking container of FIG. 1 showing the design in an open configuration;

FIG. 12 is a rear view of the first embodiment of the interlocking container of FIG. 2 showing the design in a closed configuration;

FIG. 13 is a top view of the first embodiment of the interlocking container of FIG. 1 showing the design in an open configuration;

FIG. 14 is a top view of the first embodiment of the interlocking container of FIG. 2 showing the design in a closed configuration;

(Continued)

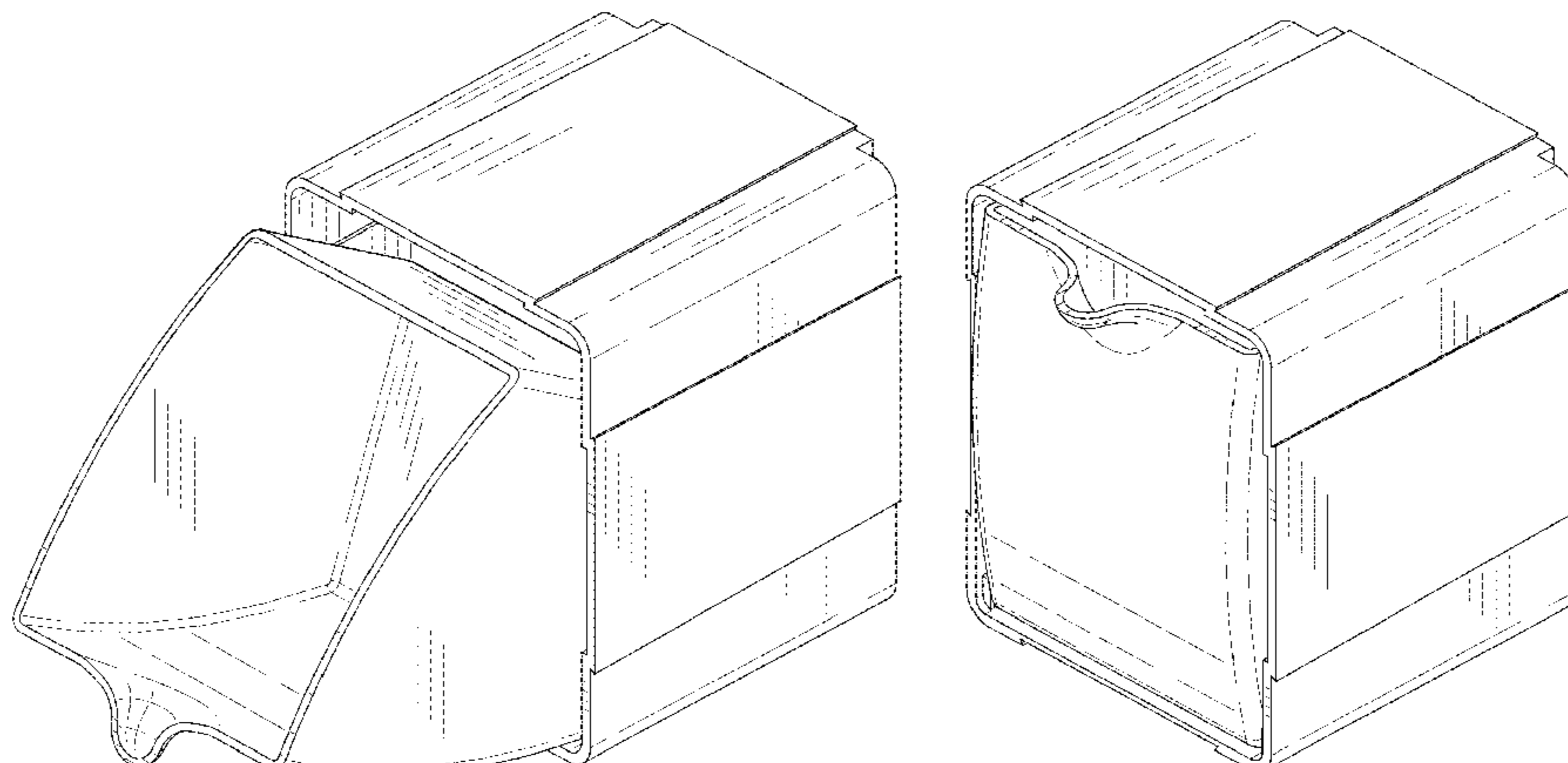


FIG. 15 is a bottom view of the first embodiment of the interlocking container of FIG. 1 showing the design in an open configuration;

FIG. 16 is a bottom view of the first embodiment of the interlocking container of FIG. 2 showing the design in a closed configuration;

FIG. 17 is a right side view of a first embodiment the interlocking container of FIG. 1 showing the design in an open configuration;

FIG. 18 is a left side view of the first embodiment of the interlocking container of FIG. 1 showing the design in an open configuration;

FIG. 19 is a right side view of a first embodiment the interlocking container of FIG. 2 showing the design in a closed configuration; and,

FIG. 20 is a left side view of the first embodiment of the interlocking container of FIG. 2 showing the design in a closed configuration.

1 Claim, 9 Drawing Sheets

(58) **Field of Classification Search**

USPC D3/903, 205, 203.1, 279, 282, 242, 301,
D3/302; D9/414, 418, 420–423, 425, 428
CPC .. A45C 5/00; A45C 5/04; A45C 11/00; A45C
11/16

See application file for complete search history.

(56) **References Cited**

U.S. PATENT DOCUMENTS

D609,472	S	*	2/2010	Chen	D3/294
D680,423	S	*	4/2013	Wong	D9/423
D680,859	S	*	4/2013	Levy	D9/423
D691,804	S	*	10/2013	Wang	D3/294
D697,792	S	*	1/2014	Levy	D9/423
D697,793	S	*	1/2014	Levy	D9/423
D699,034	S	*	2/2014	Engert	D3/304
D708,439	S	*	7/2014	Wang	D3/295
D720,134	S	*	12/2014	Baruch	D3/297
D762,065	S	*	7/2016	Hsu	D3/304

* cited by examiner

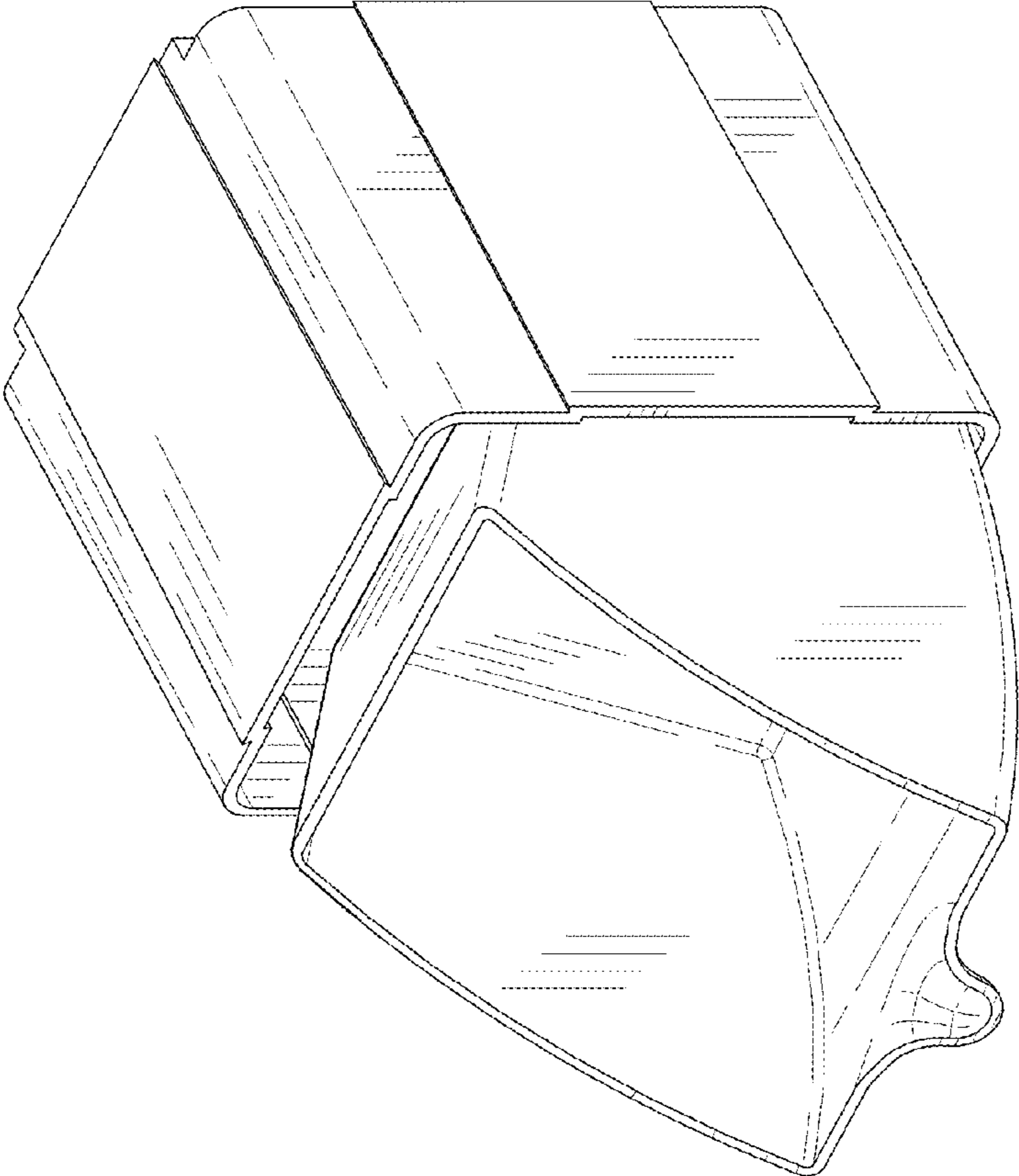


FIG. 1

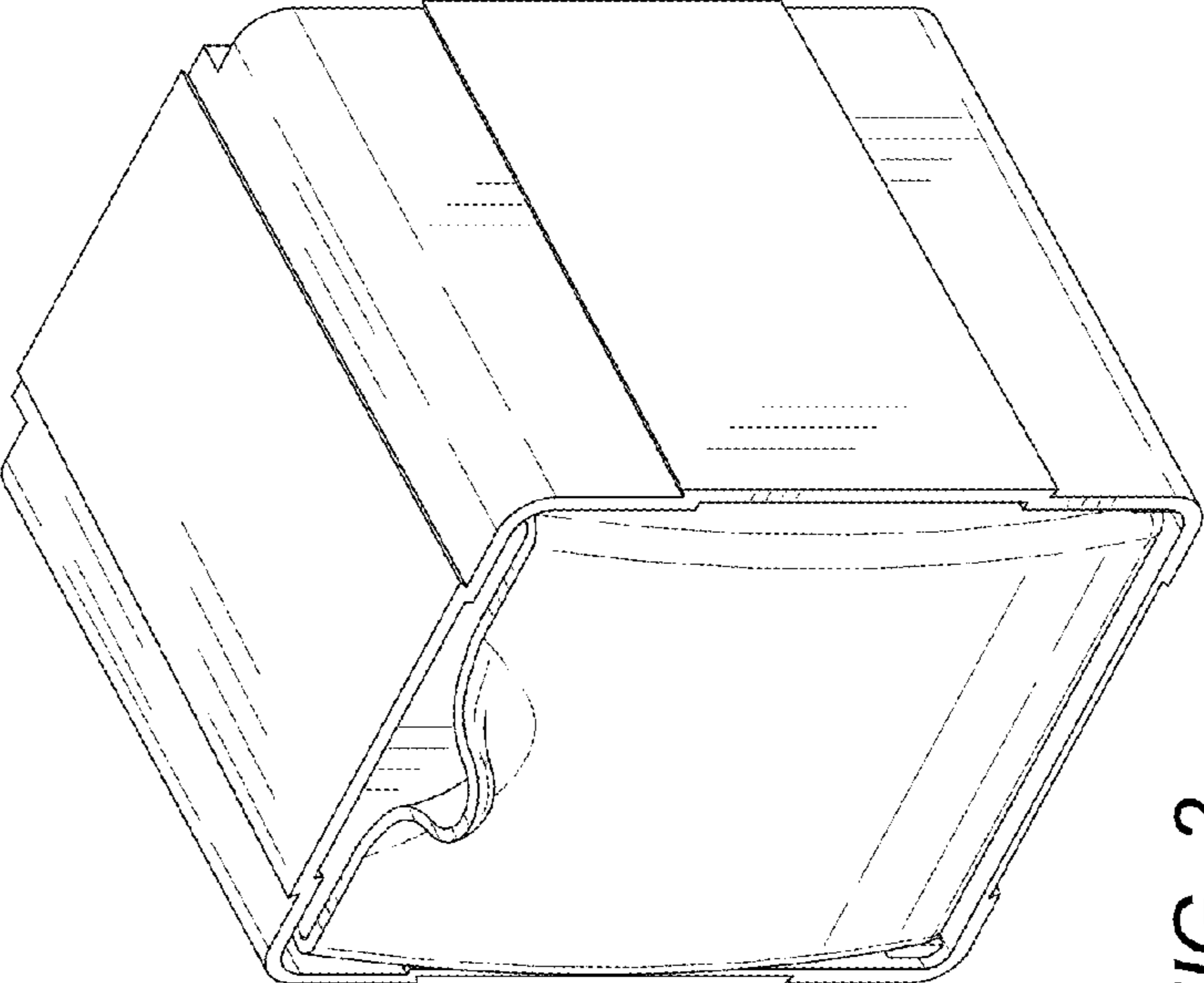


FIG. 2

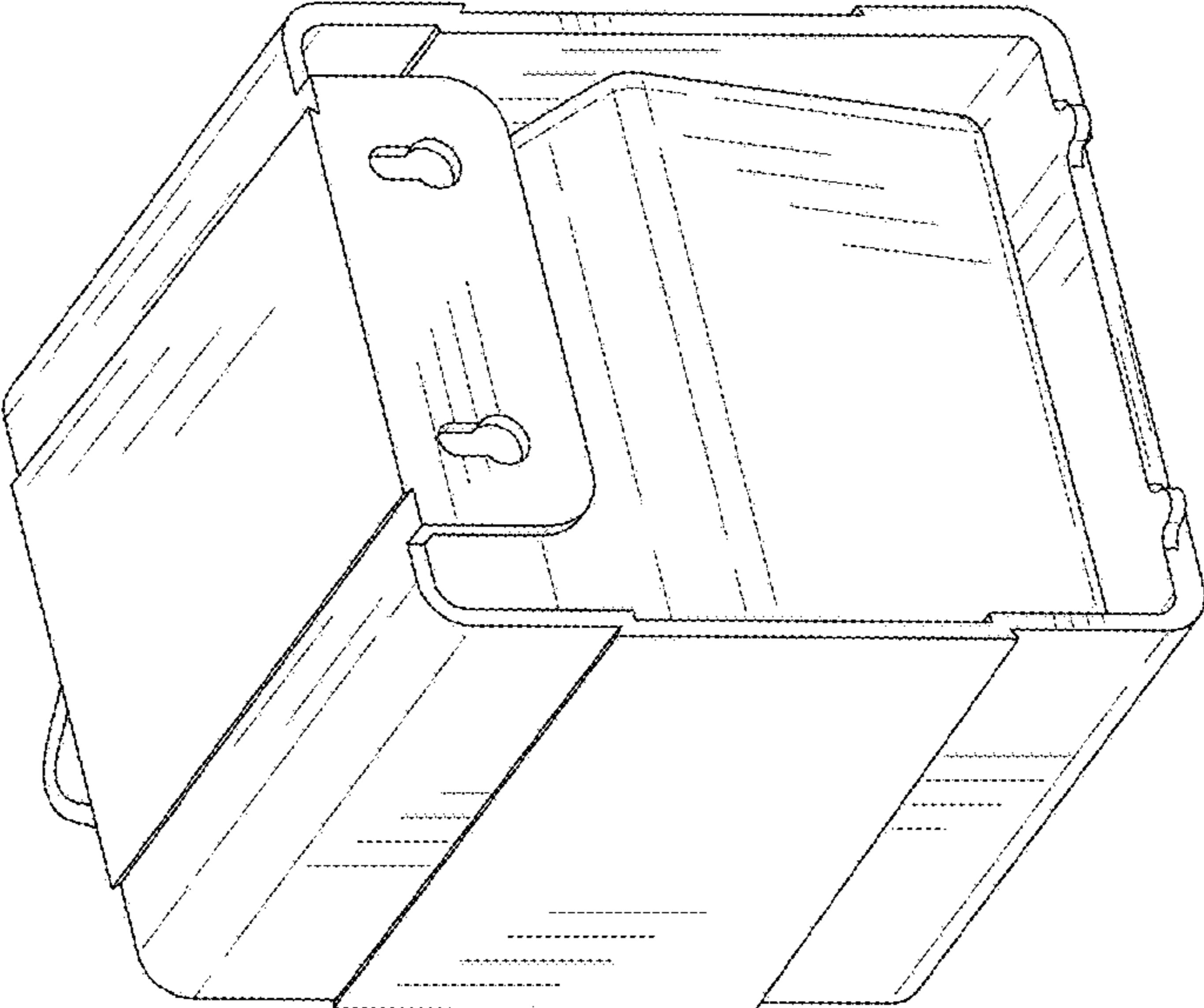


FIG. 4

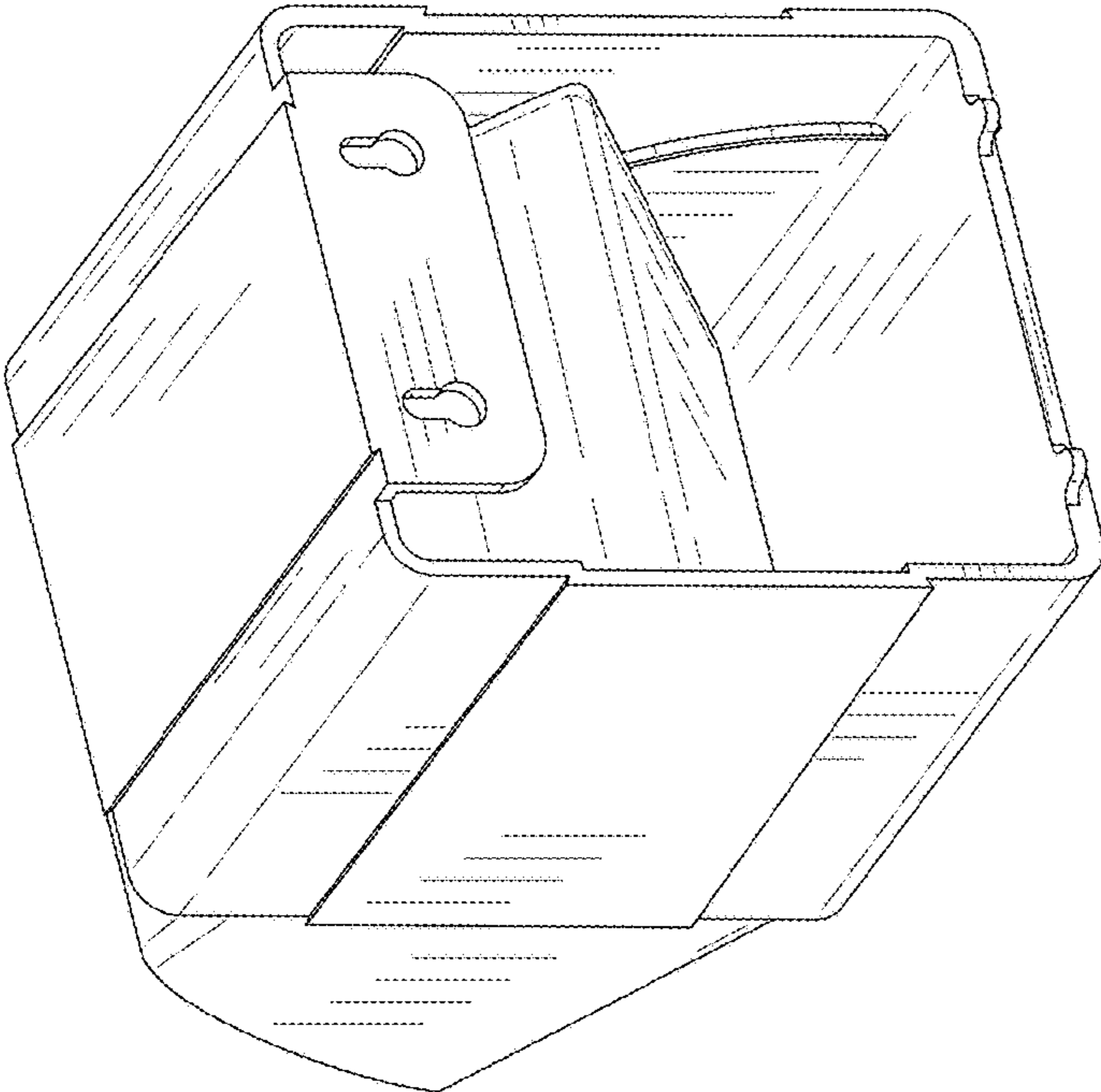


FIG. 3

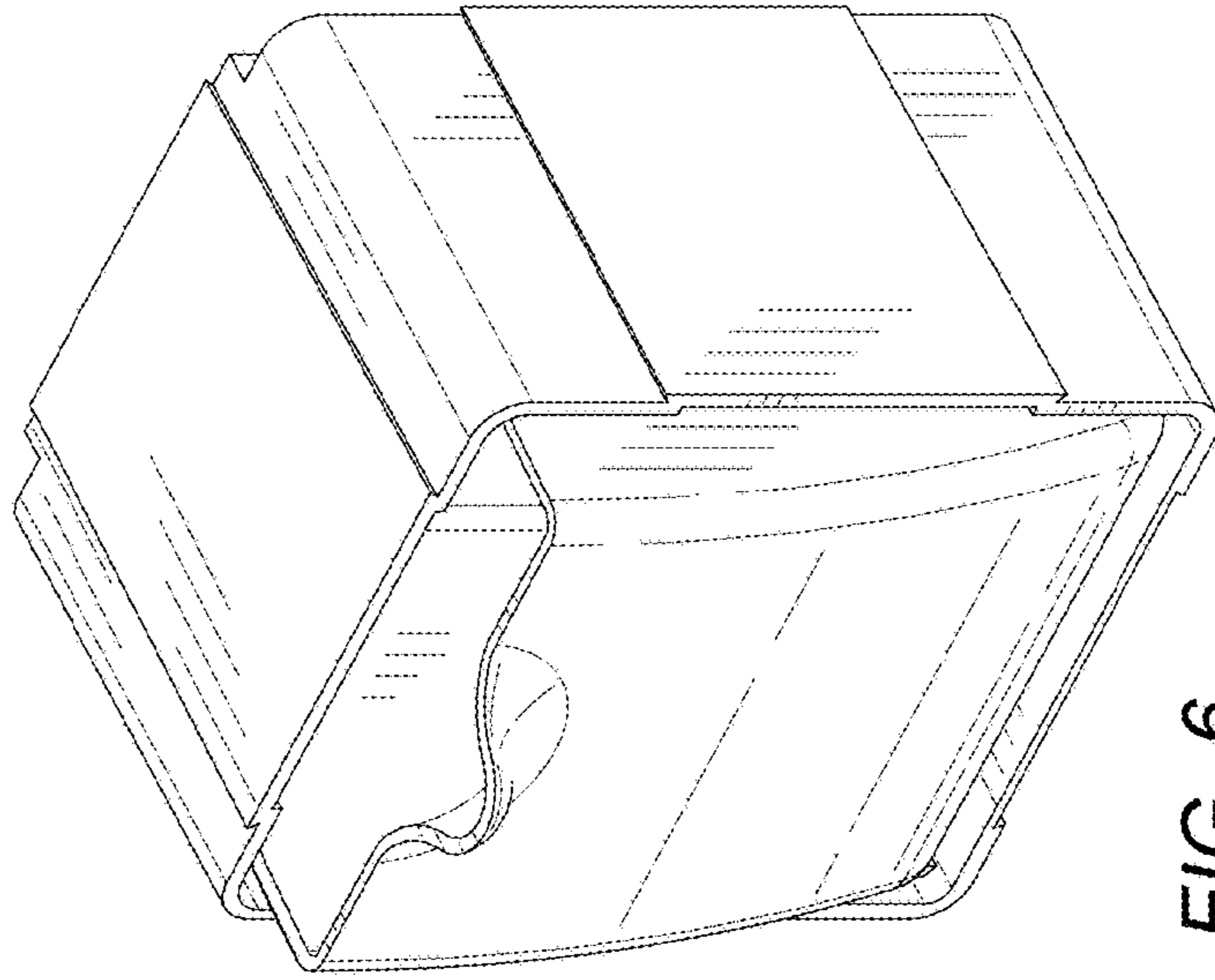


FIG. 6

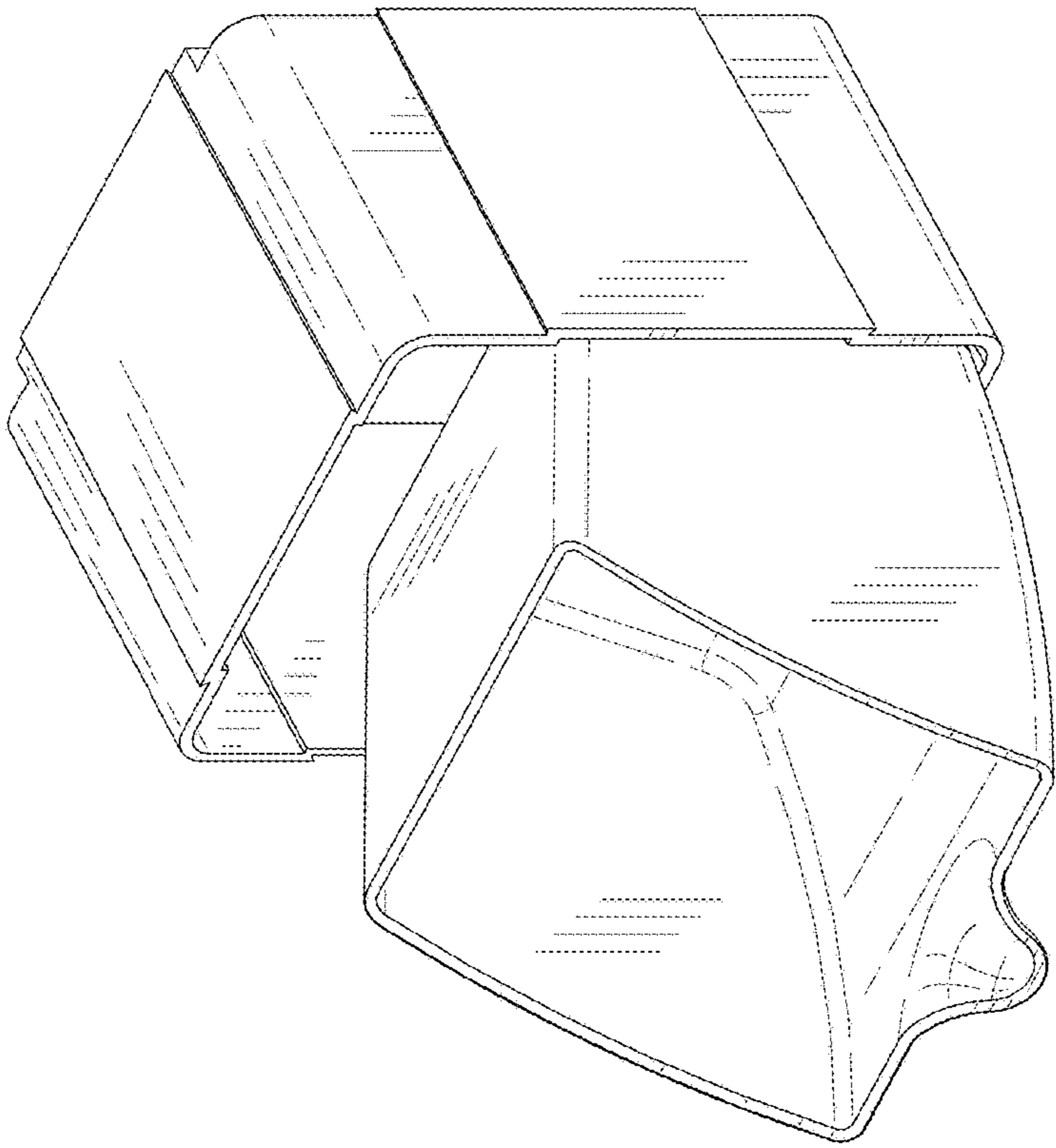


FIG. 5

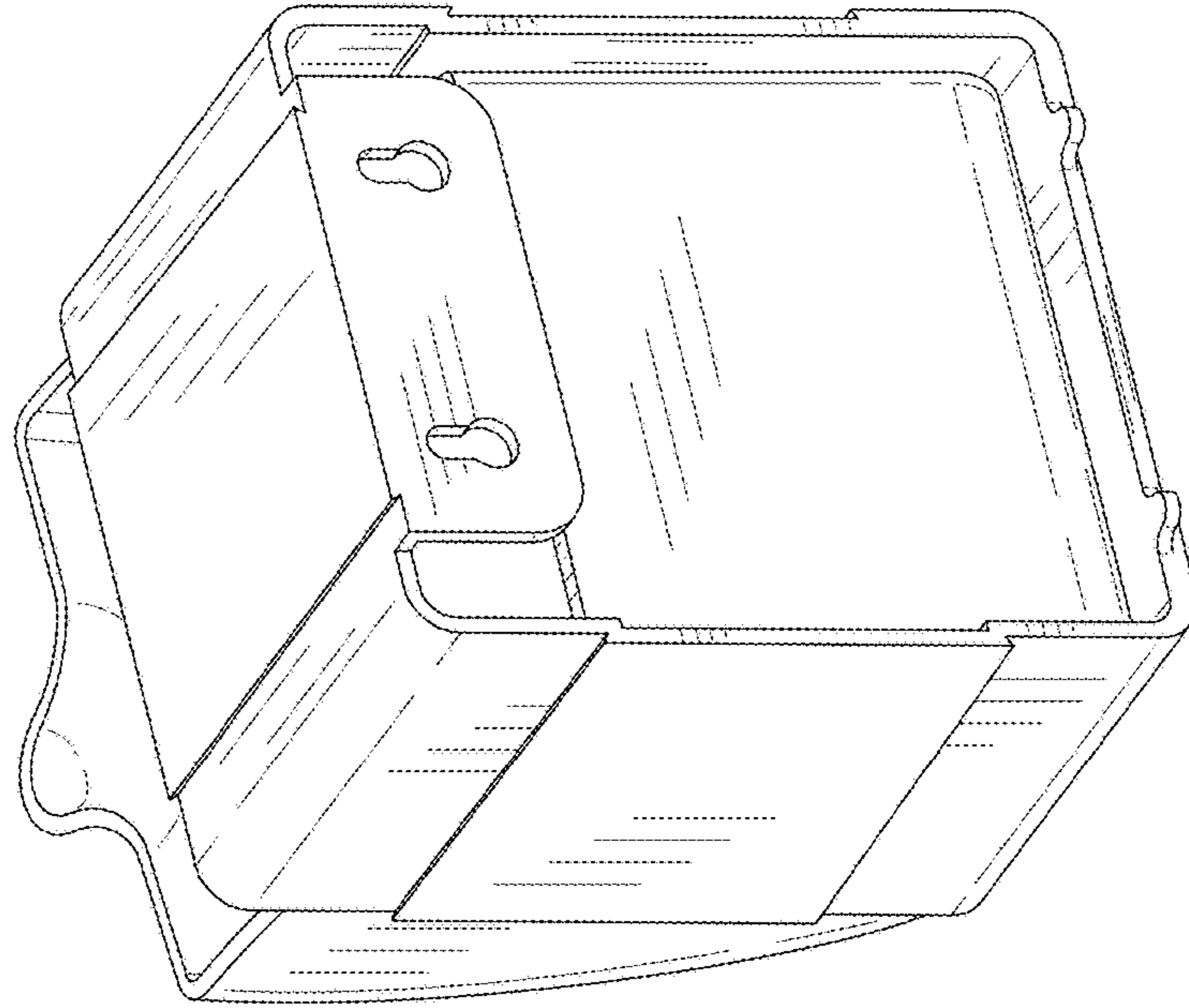


FIG. 8

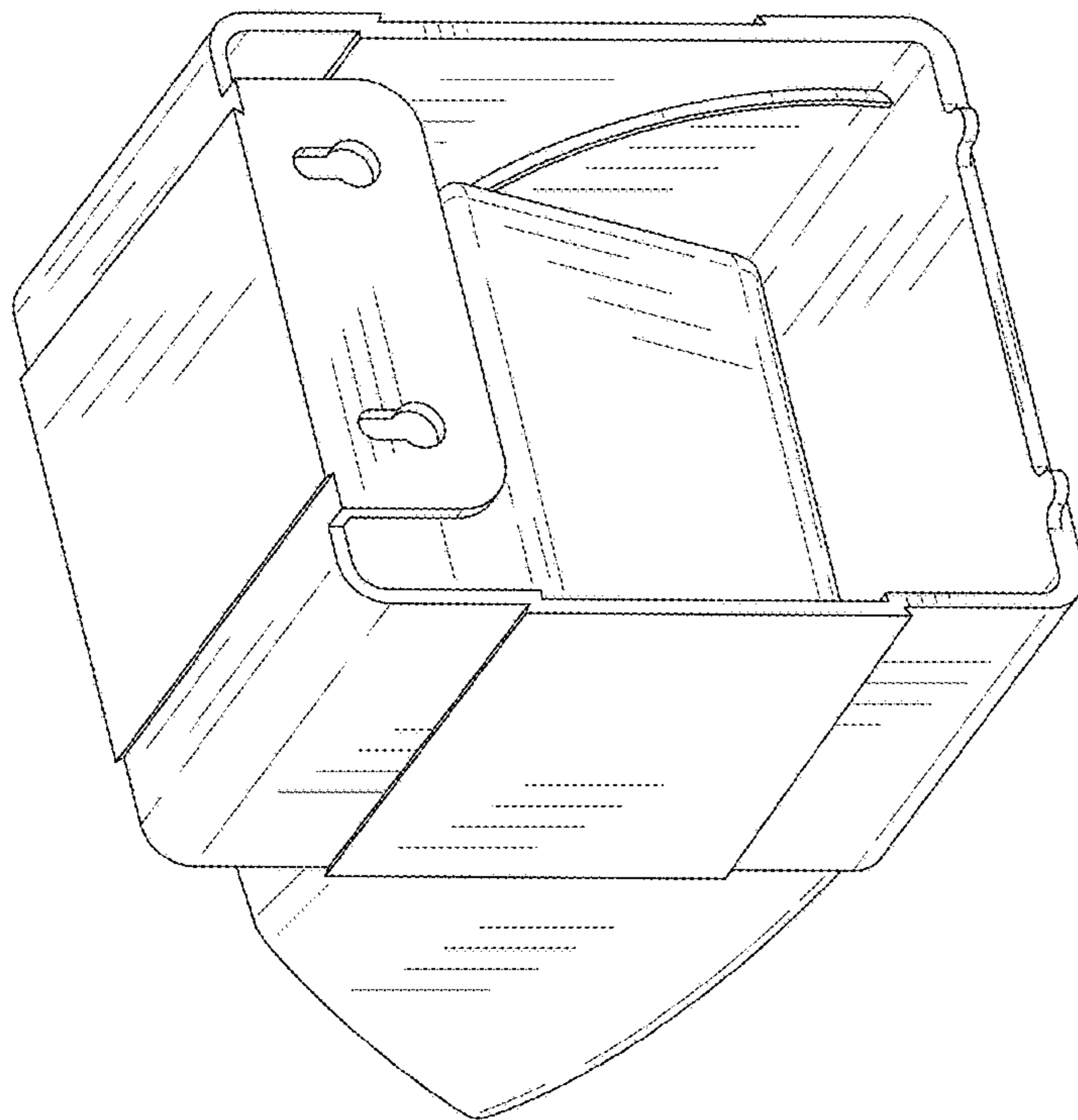


FIG. 7

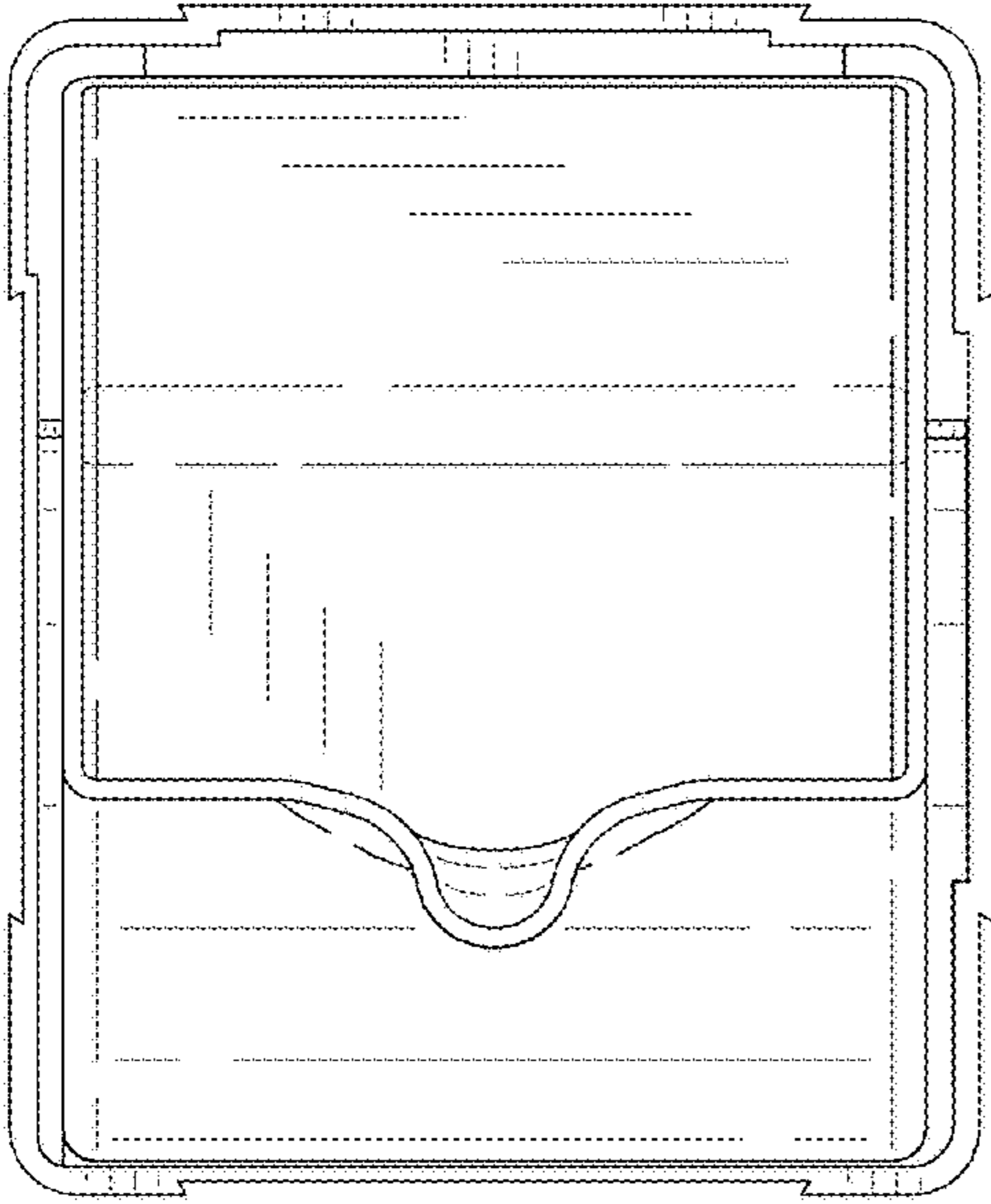


FIG. 9

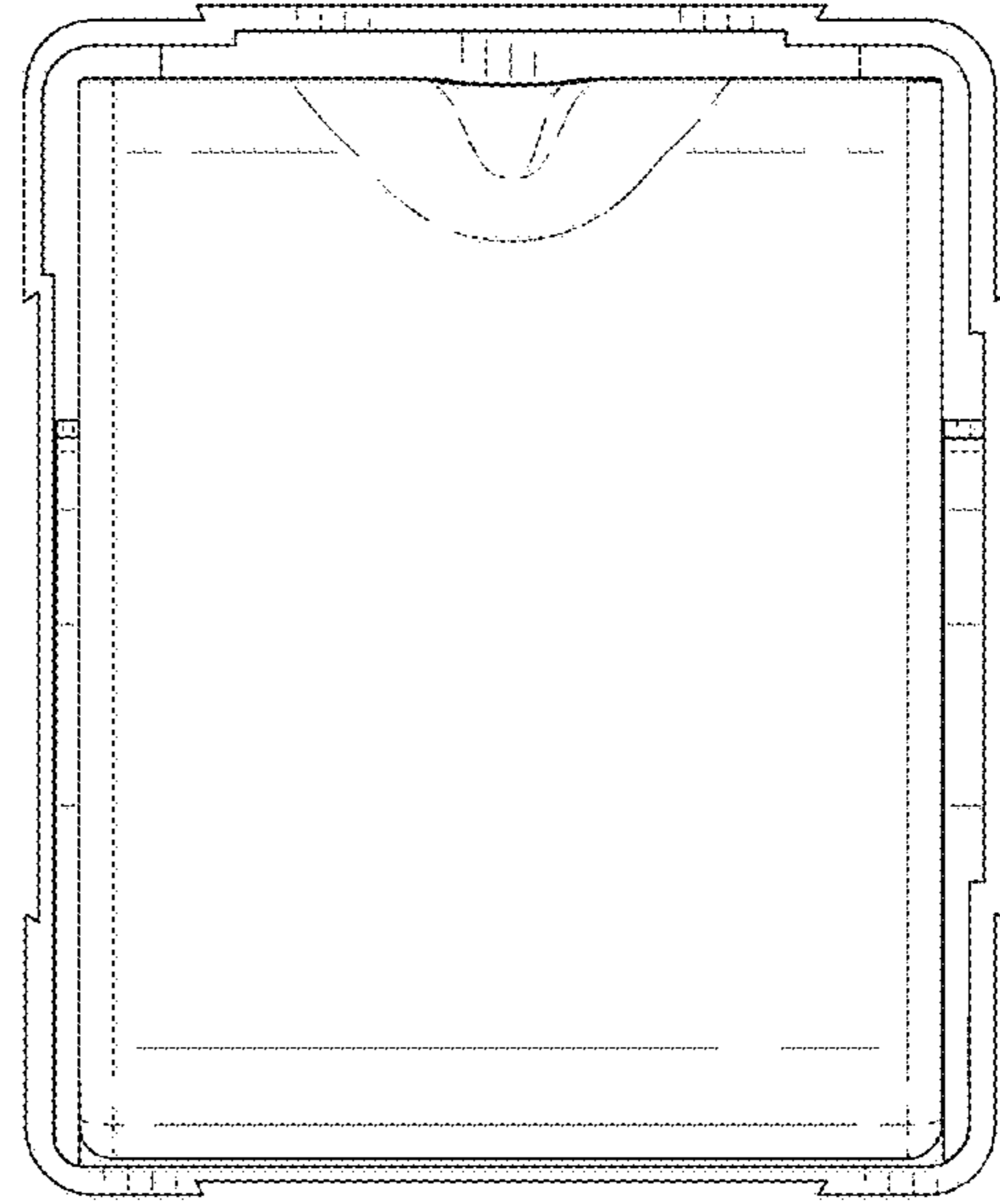


FIG. 10

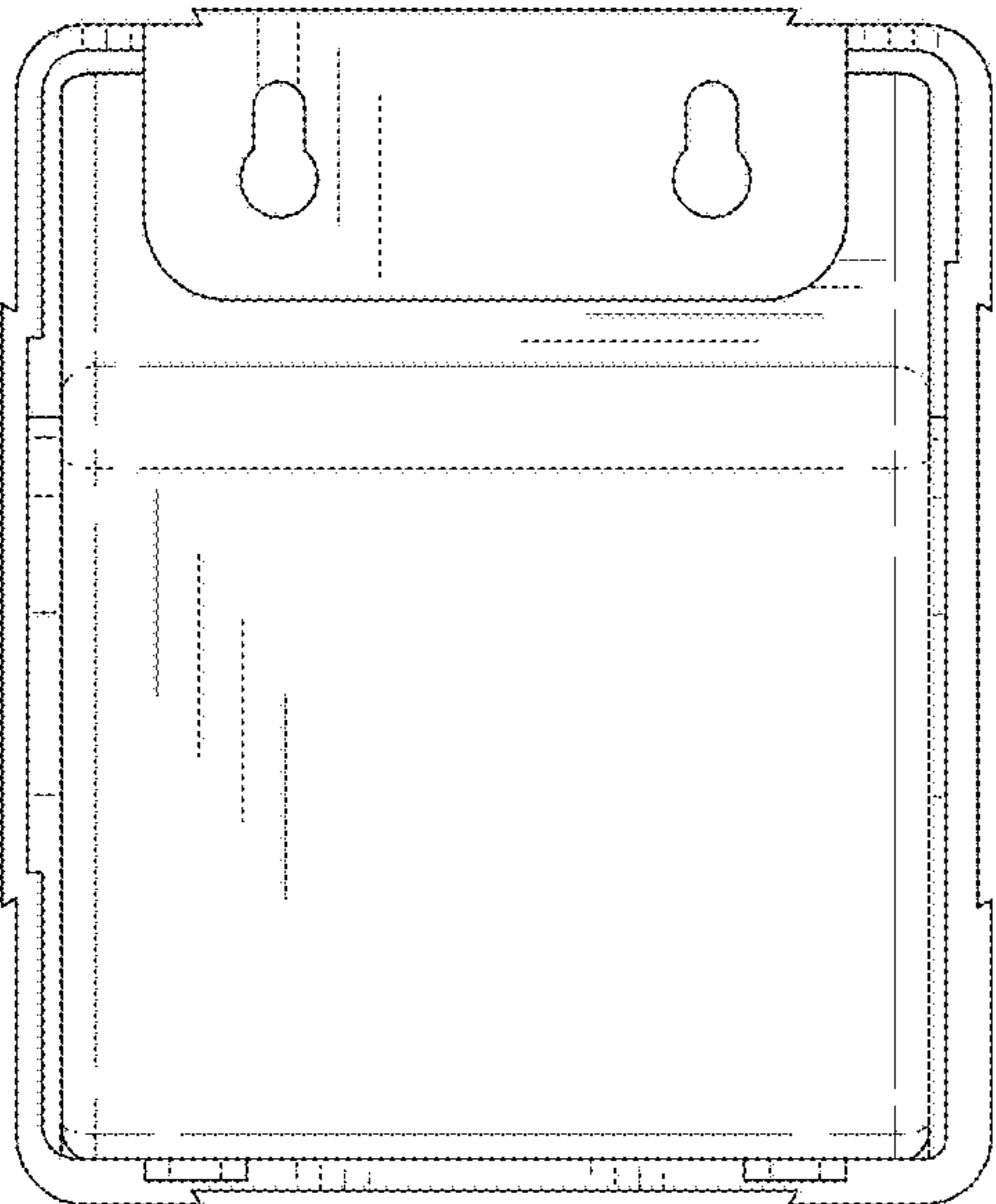


FIG. 11

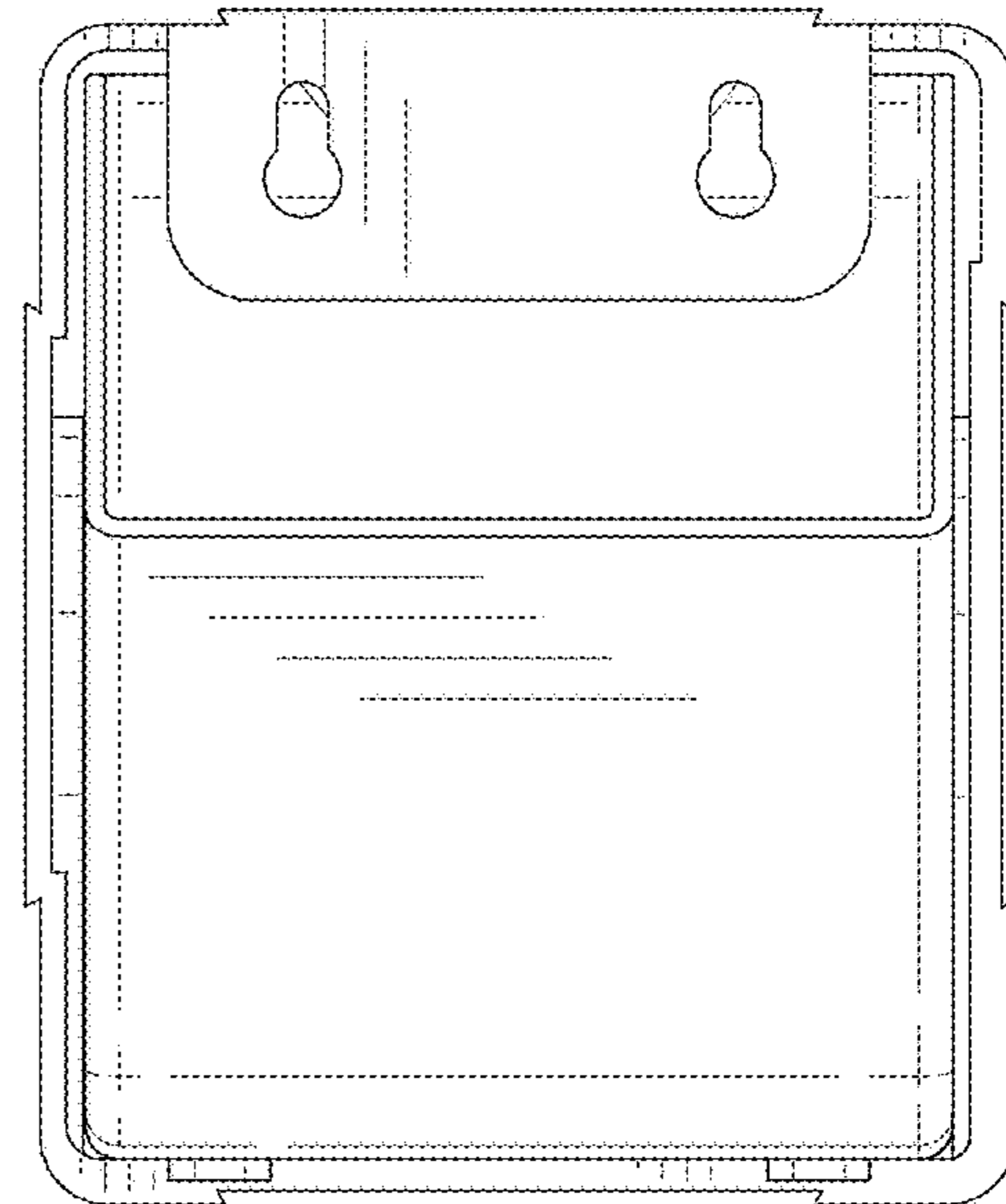


FIG. 12

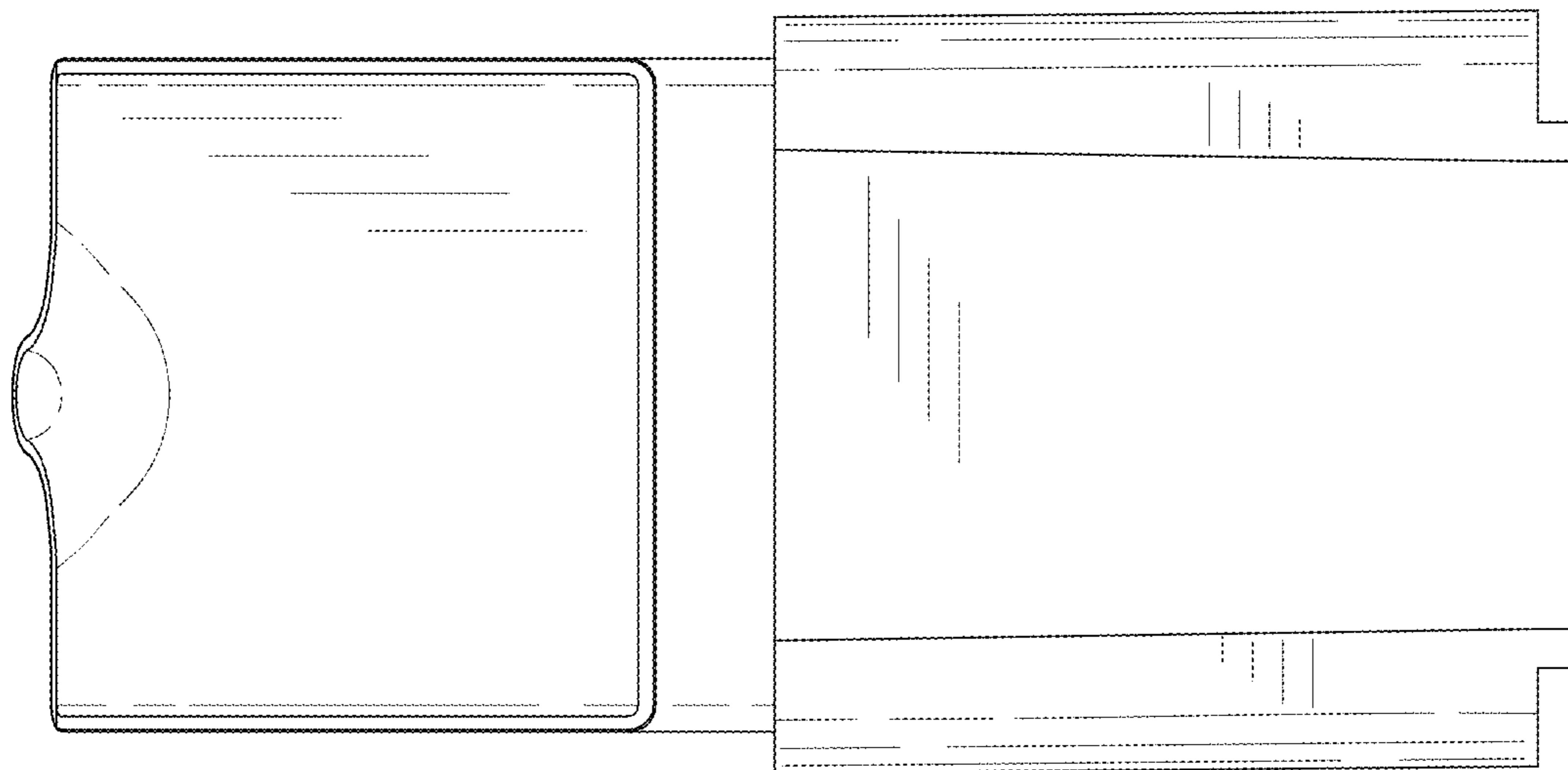


FIG. 13

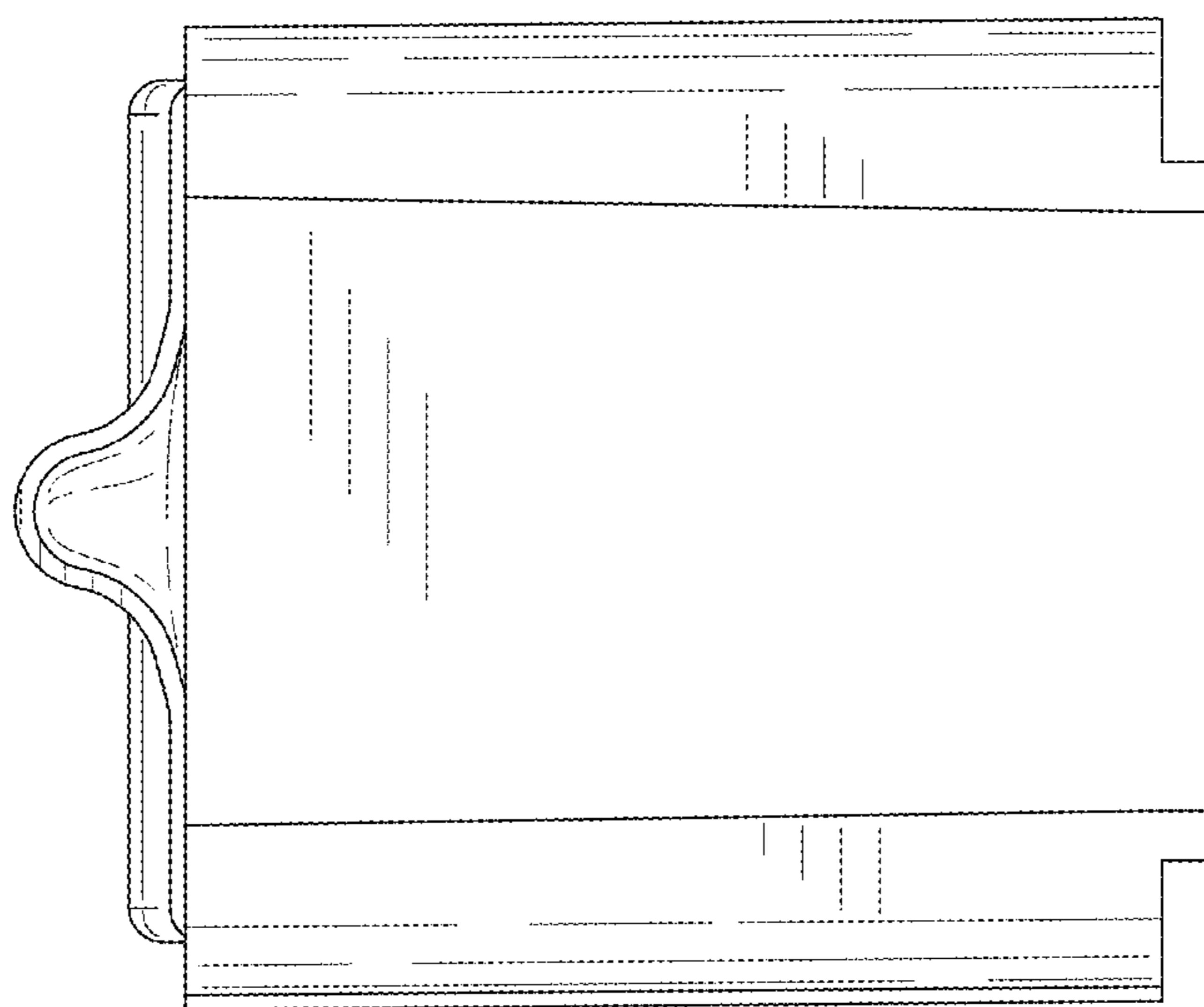


FIG. 14

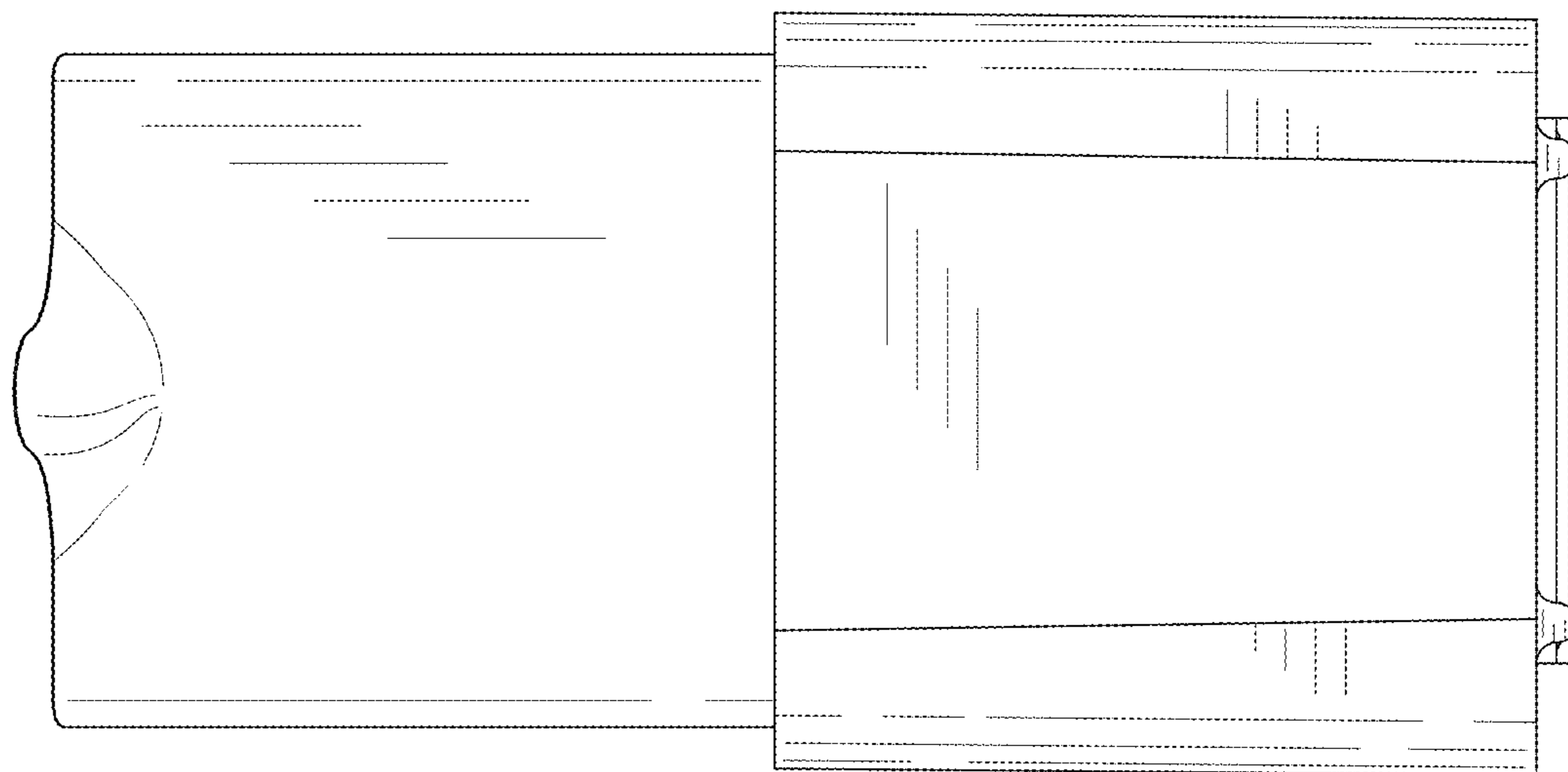


FIG. 15

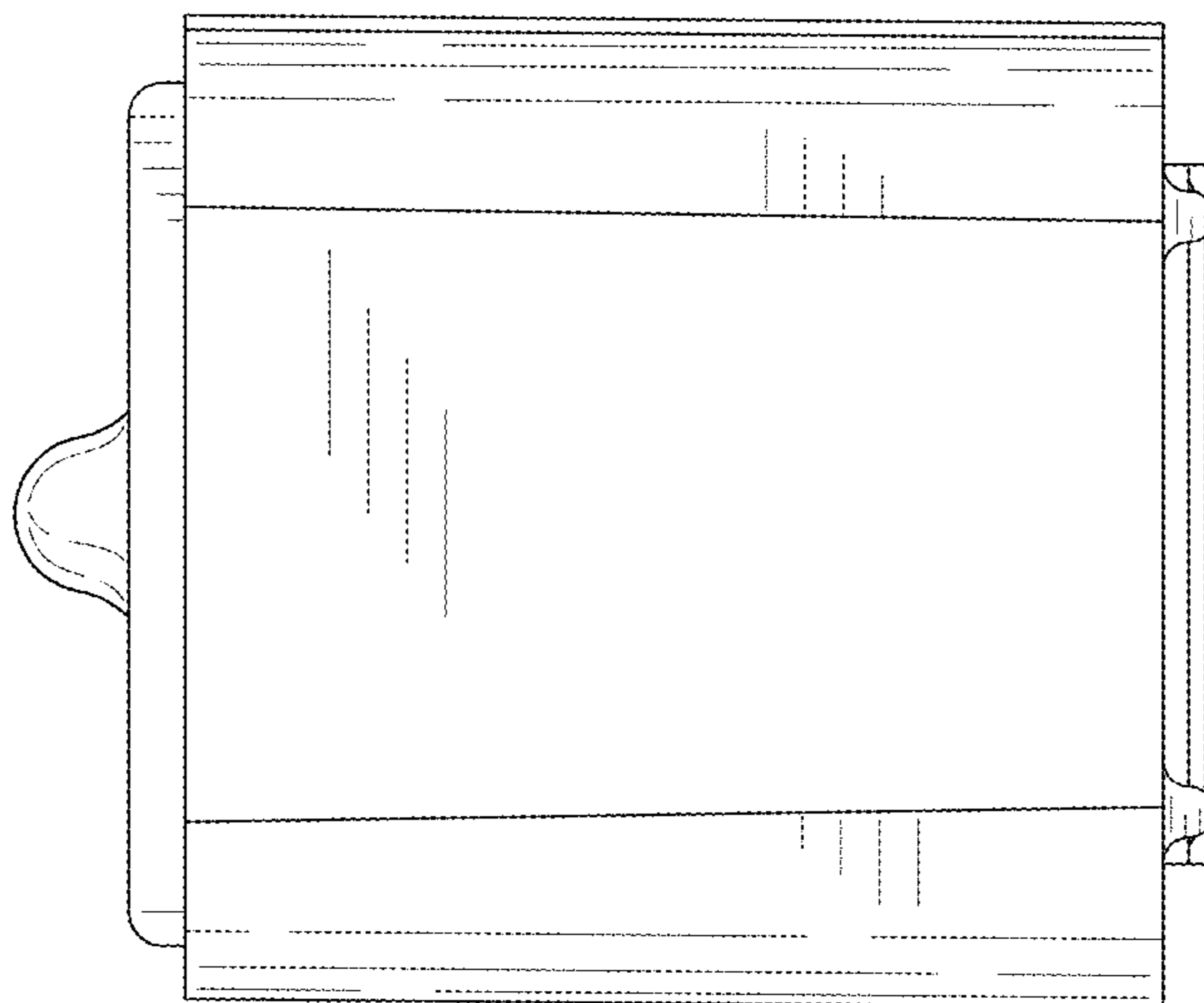


FIG. 16

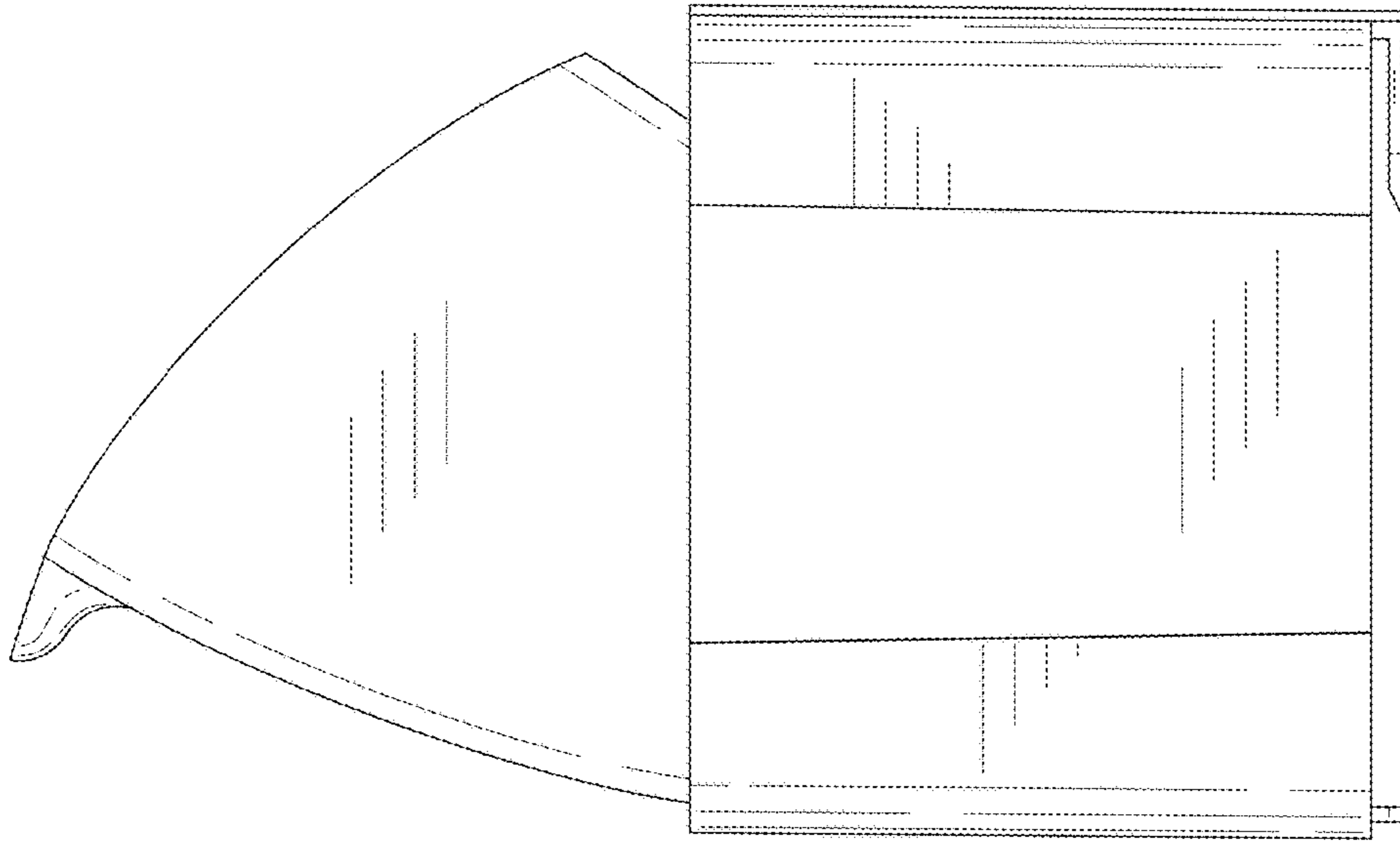


FIG. 17

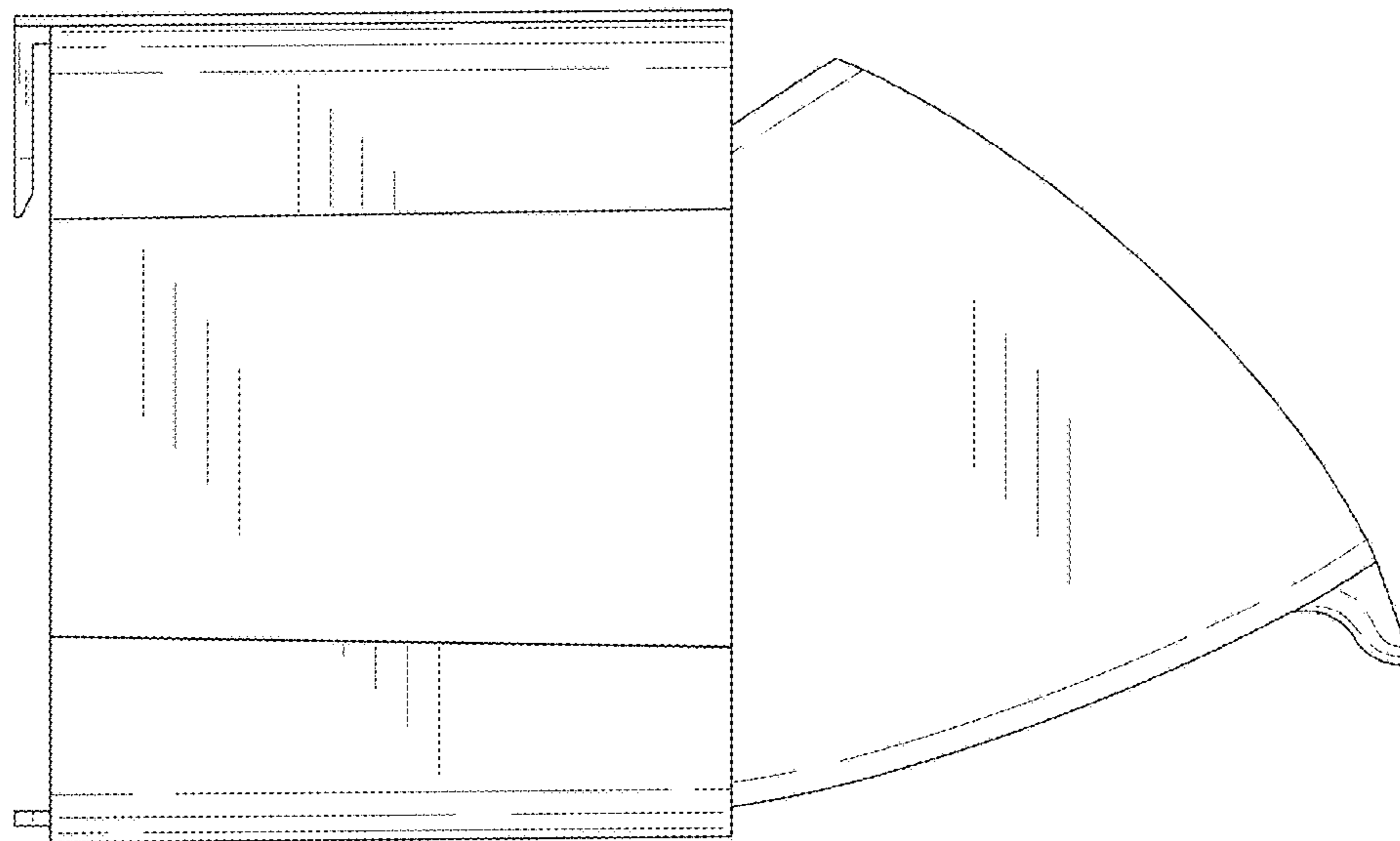


FIG. 18

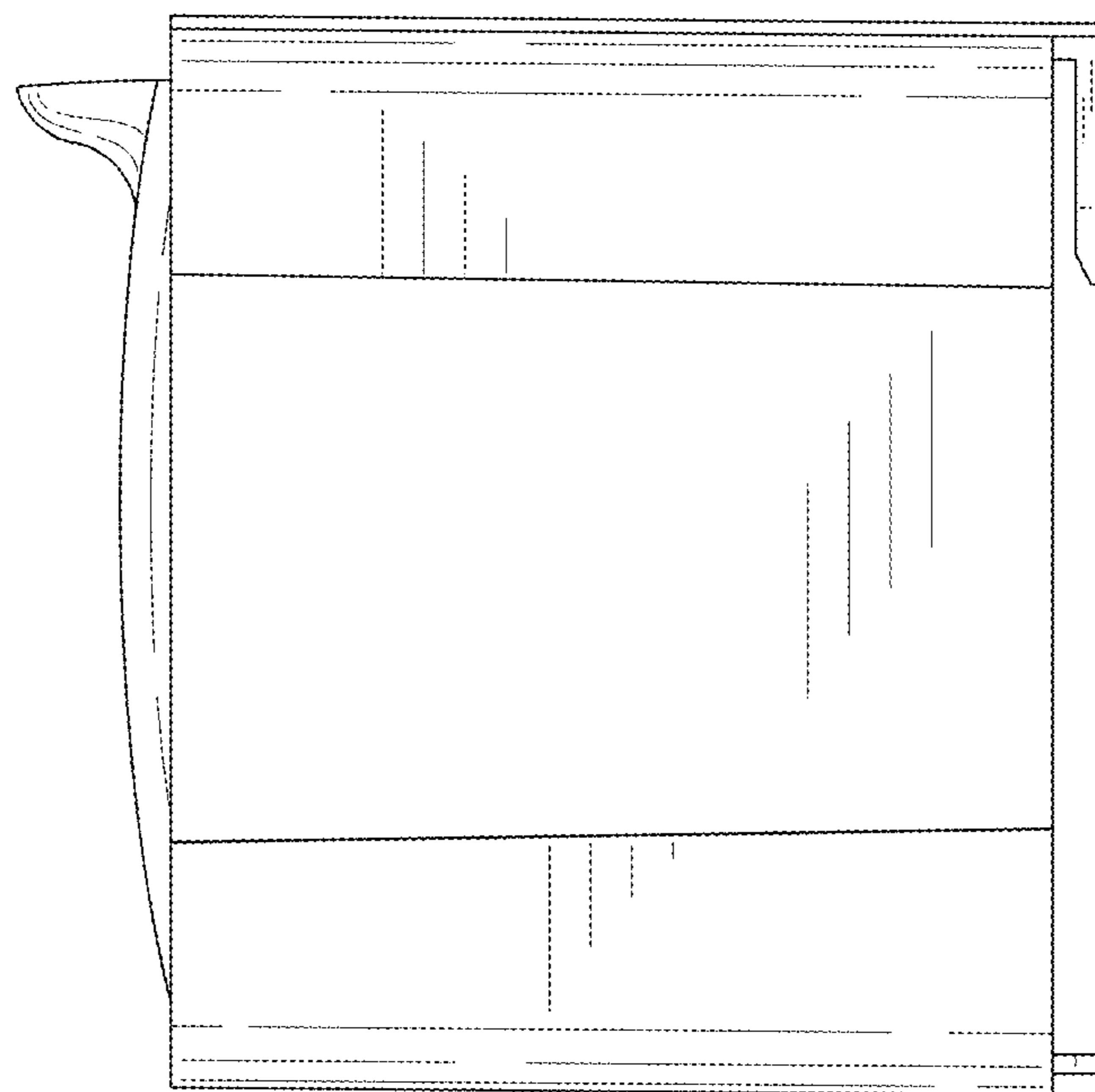


FIG. 19

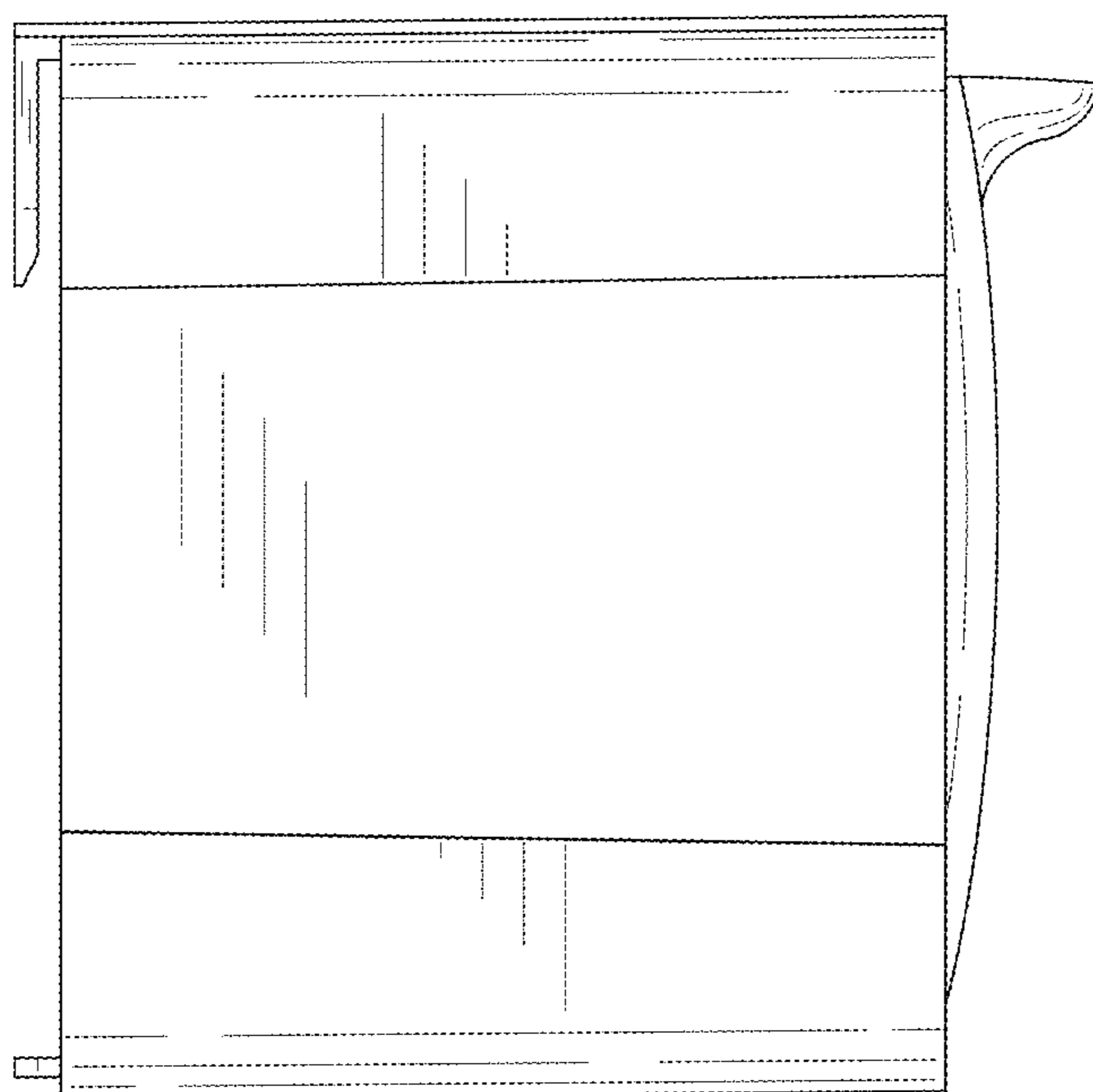


FIG. 20