



US00D789086S

(12) **United States Design Patent**  
**Lin**

(10) **Patent No.:** **US D789,086 S**  
(45) **Date of Patent:** **\*\* Jun. 13, 2017**

(54) **TOOL BOX**

(71) Applicant: **I-N-B International Inc.**, Taichung (TW)

(72) Inventor: **Yi-Hung Lin**, Taichung (TW)

(73) Assignee: **I-N-B INTERNATIONAL INC.**, Taichung (TW)

(\*\*) Term: **14 Years**

(21) Appl. No.: **29/522,377**

(22) Filed: **Mar. 30, 2015**

(51) **LOC (10) Cl.** ..... **03-01**

(52) **U.S. Cl.**  
USPC ..... **D3/294**

(58) **Field of Classification Search**  
USPC ..... D3/273, 274, 275, 276, 281, 284, 292, D3/294, 295, 296, 297, 299, 905, 901, D3/903, 205, 203.1, 279, 282, 242, 301, D3/302; D9/418, 420-423; D28/76-78, D28/82-83; D99/28, 34  
CPC ..... A45C 5/04; A45C 11/16; A45C 11/00; A45C 5/00  
See application file for complete search history.

(56) **References Cited**

**U.S. PATENT DOCUMENTS**

D516,309 S \* 3/2006 Richardson ..... D3/273  
D528,793 S \* 9/2006 Cornwell ..... D3/294  
D557,897 S \* 12/2007 Richardson ..... D3/294  
D563,672 S \* 3/2008 Cornwell ..... D3/294  
D569,616 S \* 5/2008 Lin ..... D3/273

D592,398 S \* 5/2009 Roesler ..... D3/294  
D617,987 S \* 6/2010 Wang ..... D3/294  
D624,315 S \* 9/2010 Amatrudo ..... D3/276  
D650,585 S \* 12/2011 Jamison ..... D3/294  
D668,866 S \* 10/2012 Meng ..... D3/273  
D701,695 S \* 4/2014 Hyma ..... D3/273  
D702,236 S \* 4/2014 Gelinotte ..... D14/420  
D704,442 S \* 5/2014 Chen ..... D3/294  
D729,520 S \* 5/2015 Koeniger ..... D3/294  
D733,429 S \* 7/2015 Grenier ..... D3/294  
D740,559 S \* 10/2015 Steele ..... D3/281  
D753,917 S \* 4/2016 Koeniger ..... D3/294  
D759,378 S \* 6/2016 West ..... D3/294

\* cited by examiner

*Primary Examiner* — Sandra Snapp

*Assistant Examiner* — Holly E Thurman

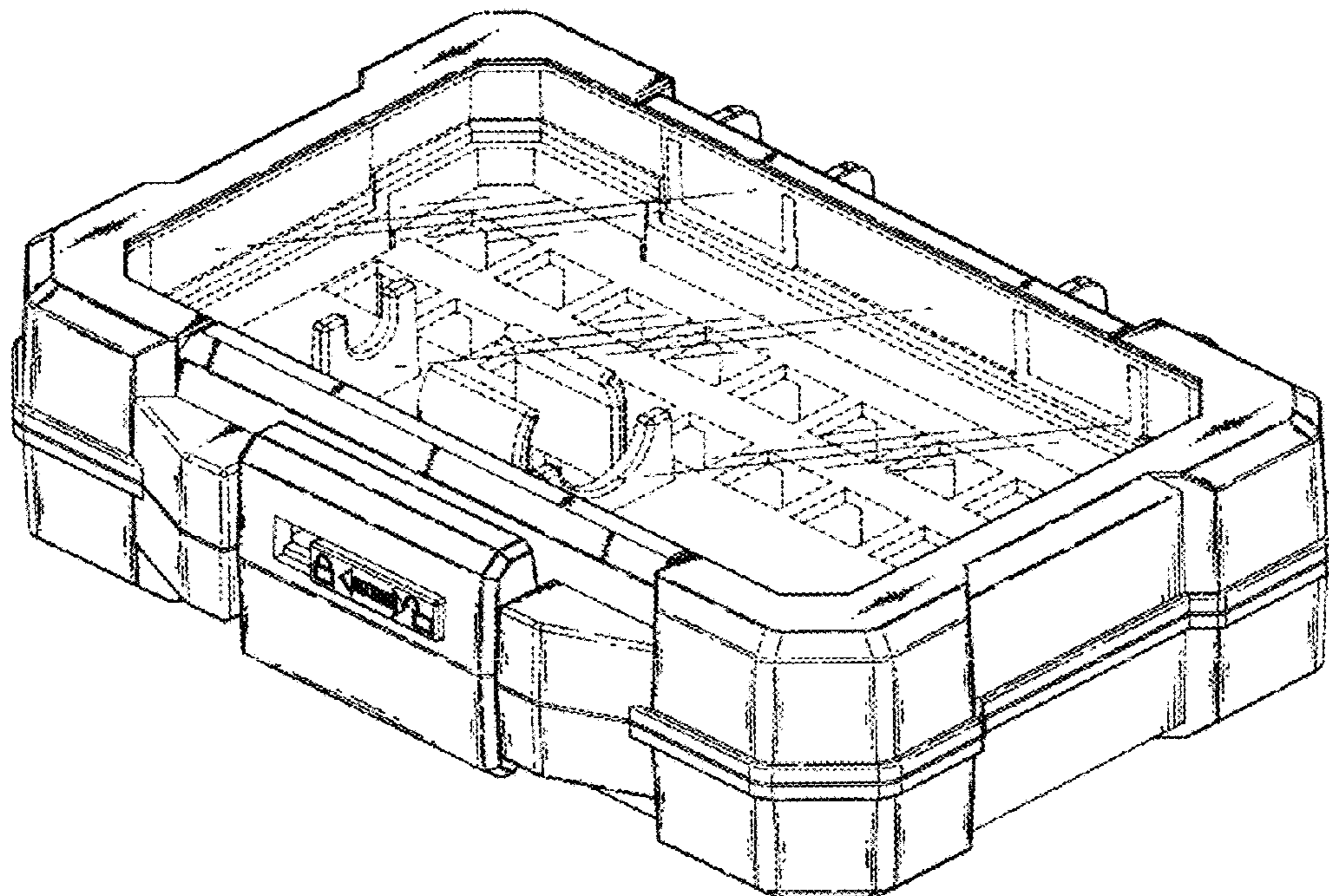
(57) **CLAIM**

The ornamental design for a tool box, as shown and described.

**DESCRIPTION**

FIG. 1 is a perspective view of a tool box showing my new design;  
FIG. 2 is a front elevational view thereof;  
FIG. 3 is a rear elevational view thereof;  
FIG. 4 is a left side elevational view thereof;  
FIG. 5 is a left side elevational view thereof;  
FIG. 6 is a top plan view thereof; and,  
FIG. 7 is a bottom plan view thereof.  
The broken lines depict portions of the tool box in which the design is embodied that are not considered part of the claimed design.

**1 Claim, 7 Drawing Sheets**



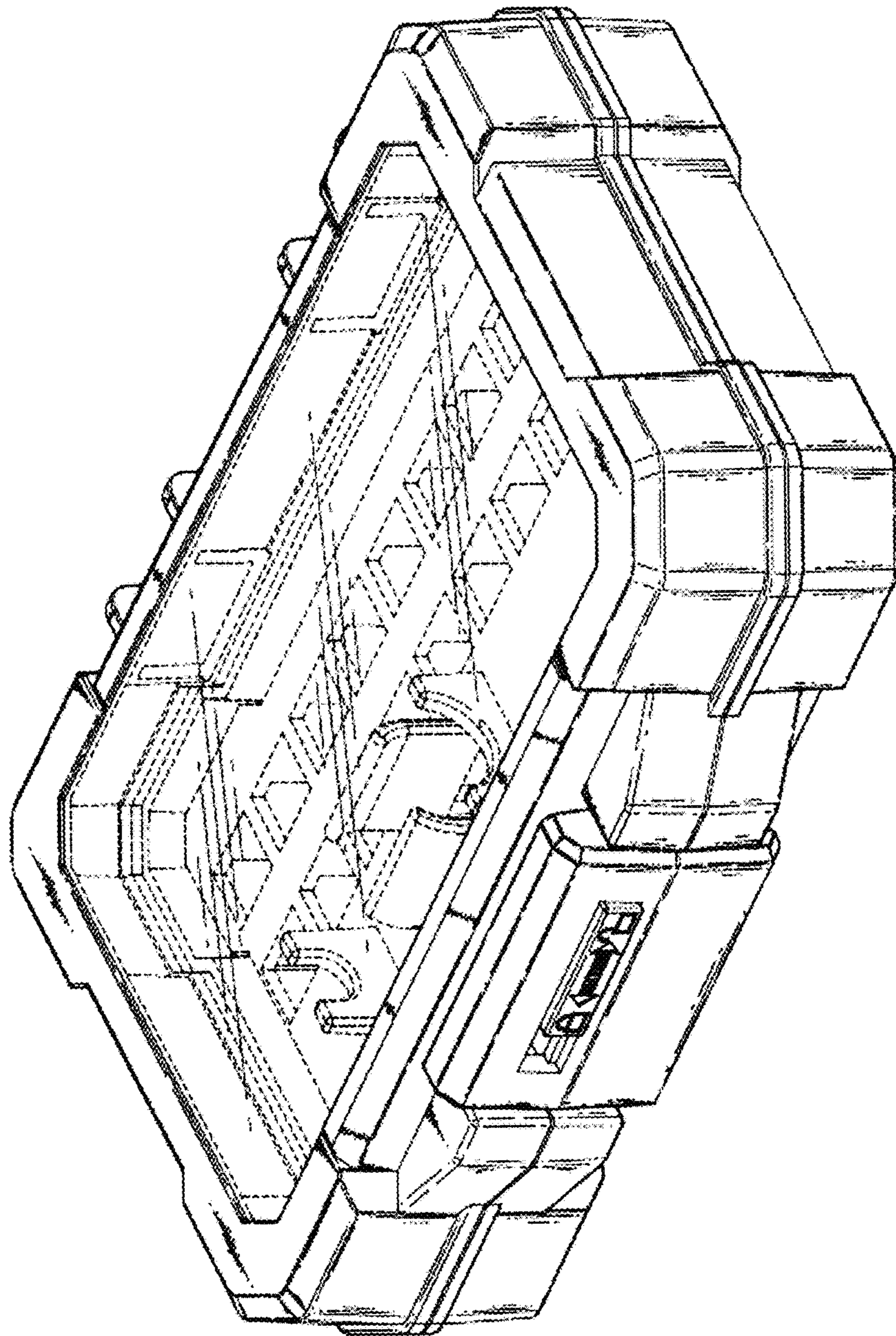


FIG. 1

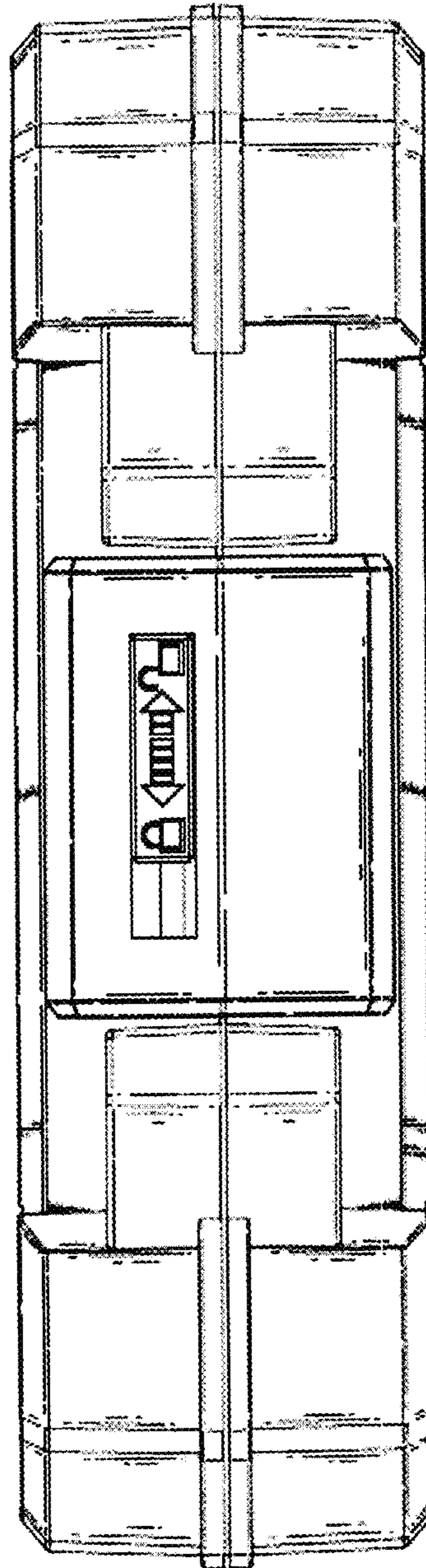


FIG. 2

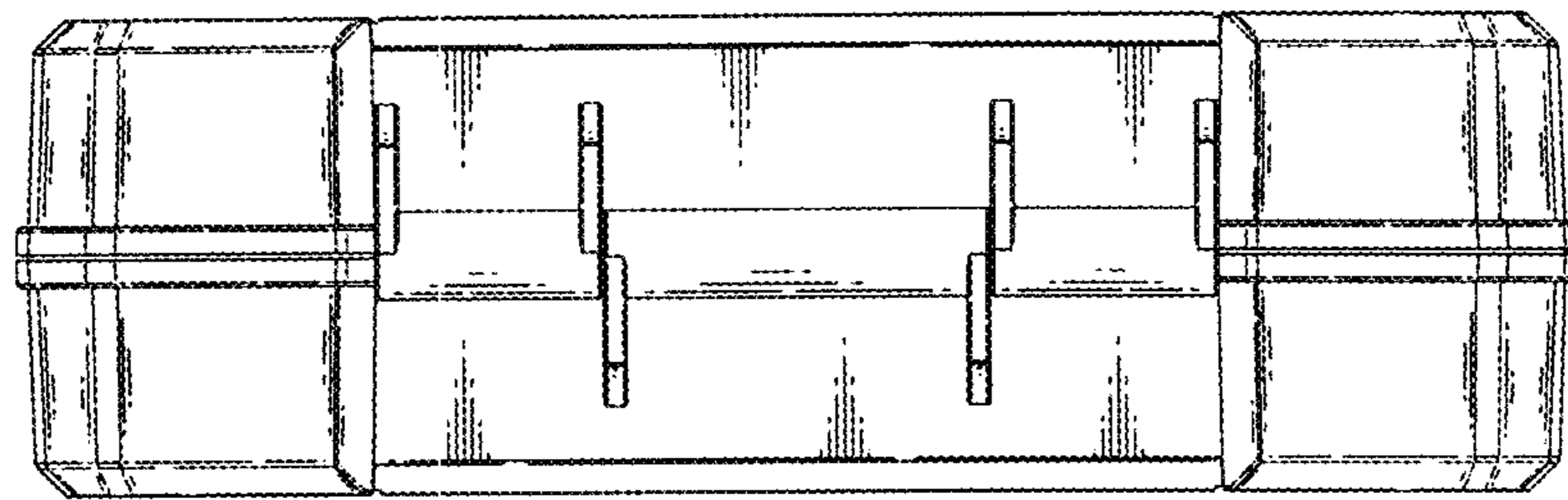


FIG. 3

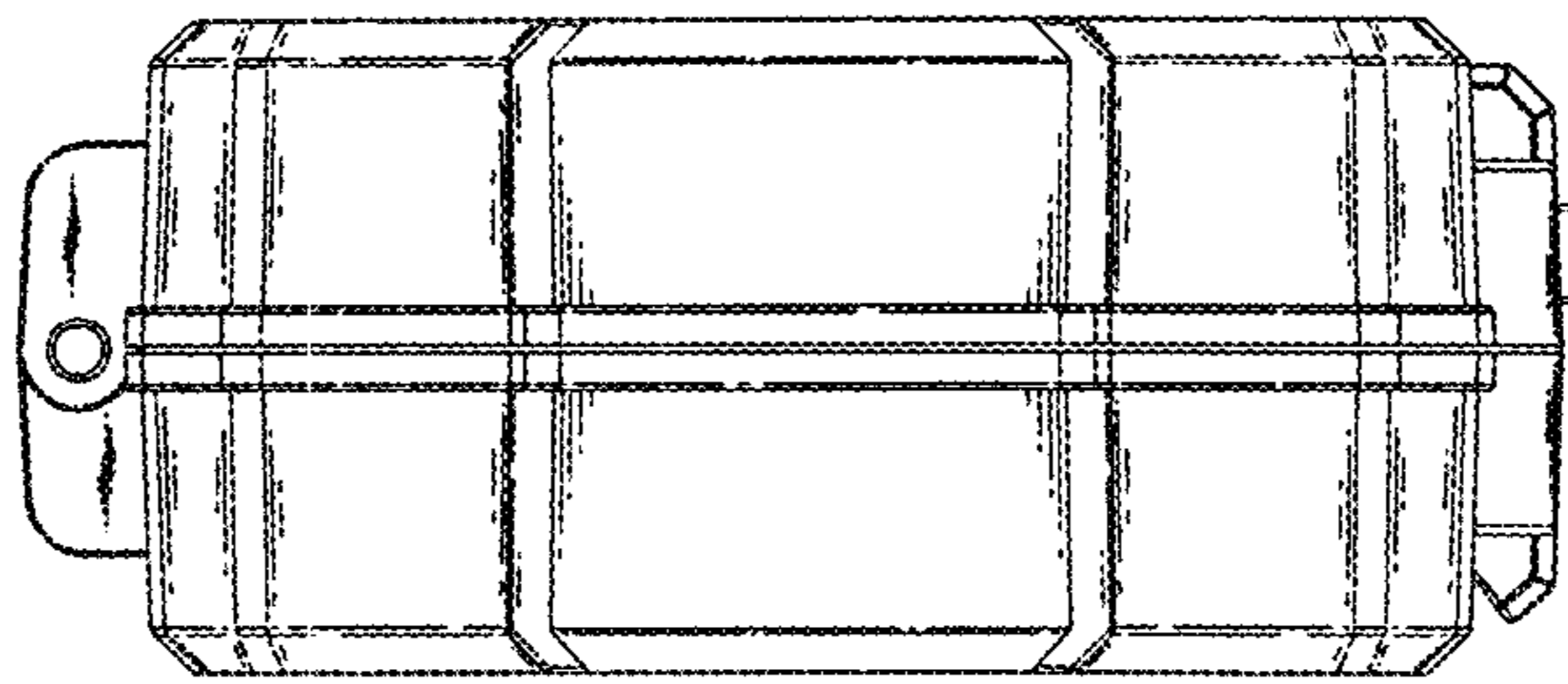


FIG. 4

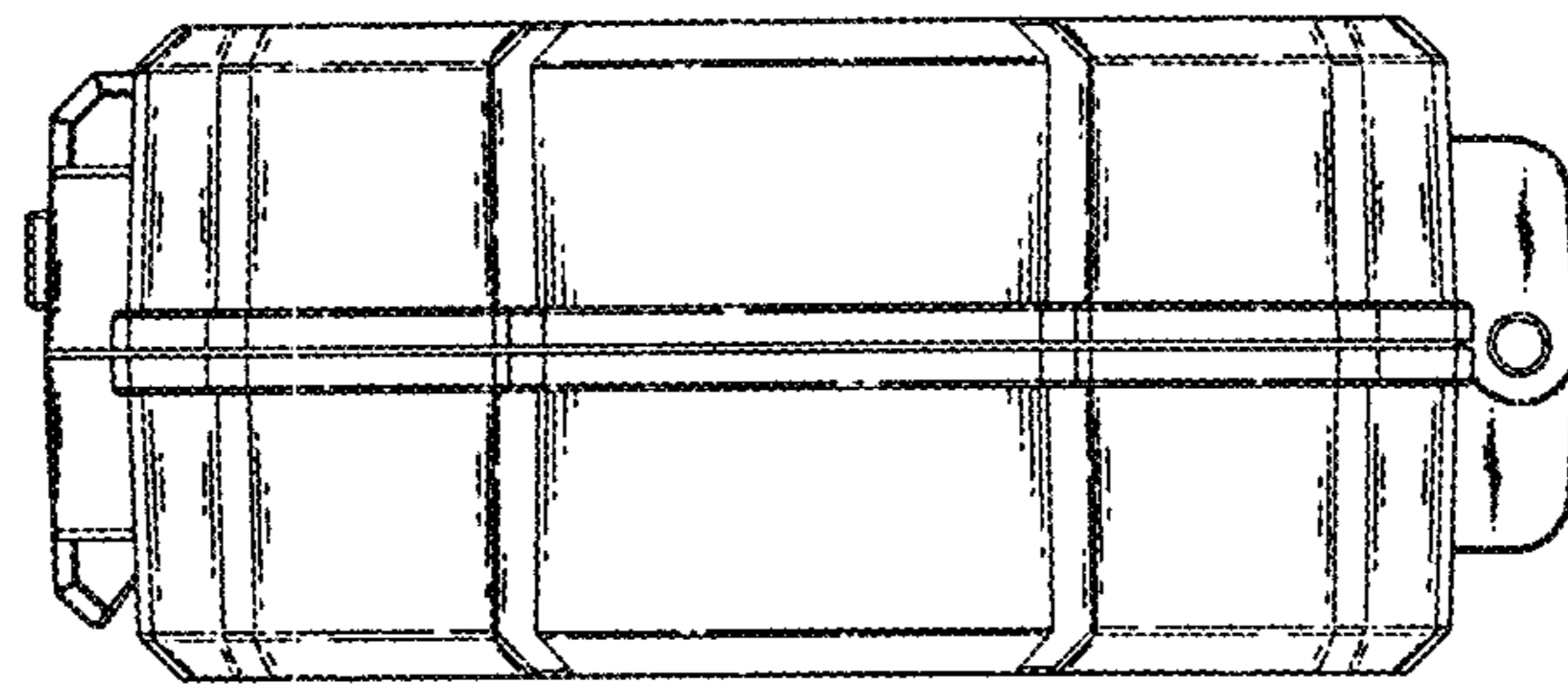


FIG. 5

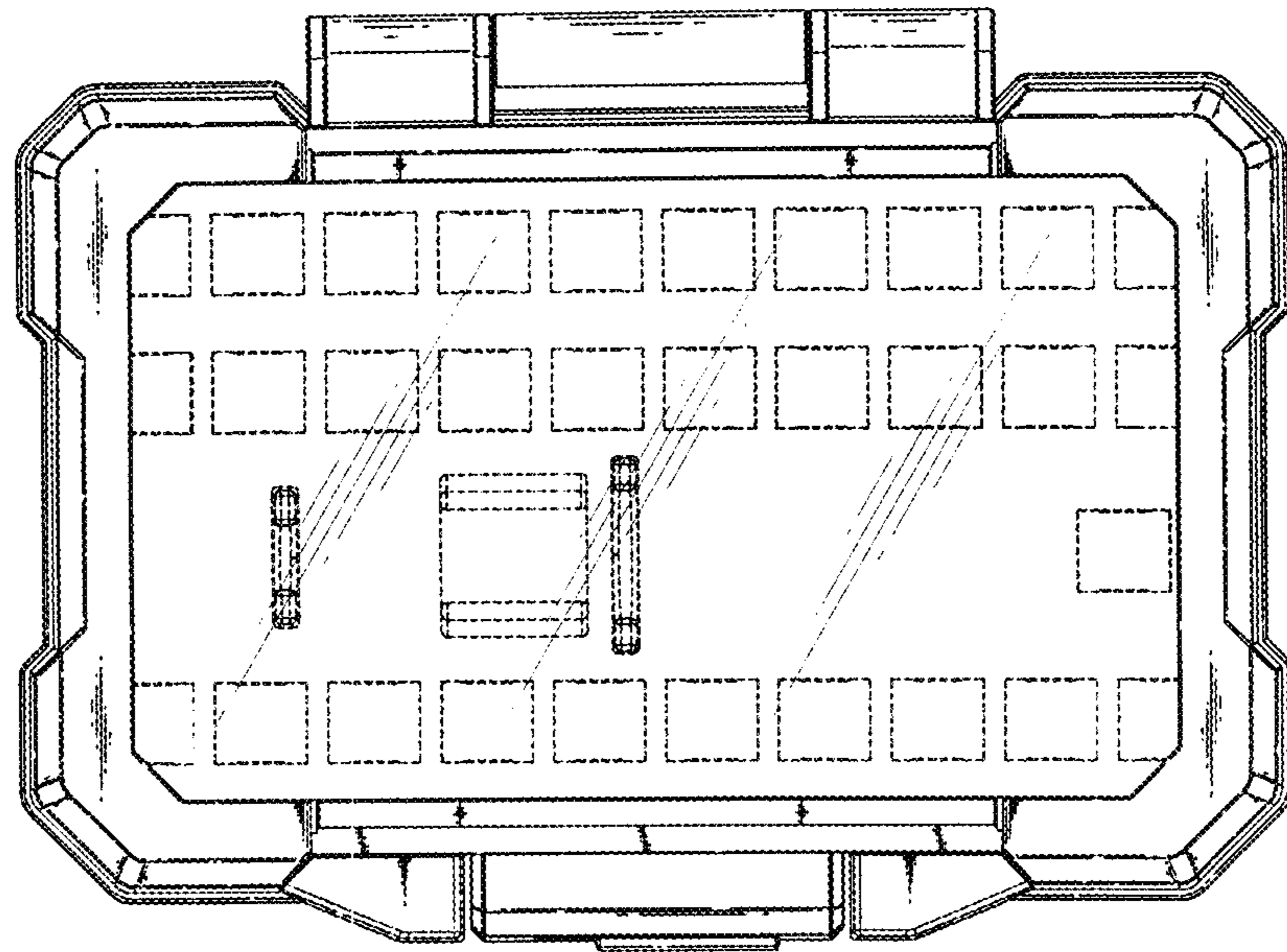


FIG. 6

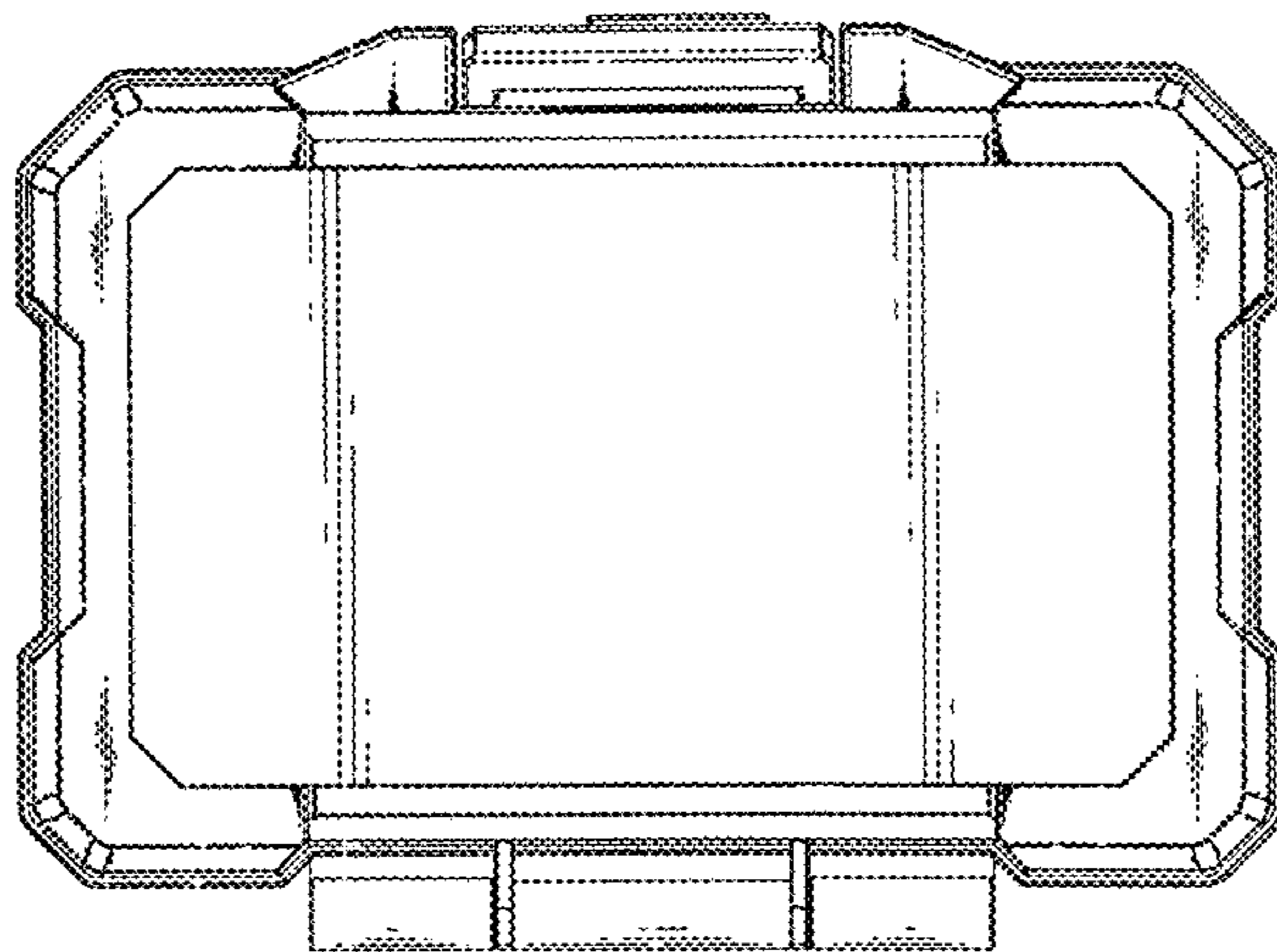


FIG. 7