



US00D789085S

(12) **United States Design Patent**  
**Jacobson**

(10) **Patent No.:** **US D789,085 S**

(45) **Date of Patent:** **\*\* Jun. 13, 2017**

- (54) **GUN CLEANING KIT**
- (71) Applicant: **Revo Brand Group, LLC**, Plymouth, MN (US)
- (72) Inventor: **Ryan Jacobson**, Minneapolis, MN (US)
- (73) Assignee: **Revo Brand Group, LLC**, Plymouth, MN (US)
- (\*\*) Term: **15 Years**
- (21) Appl. No.: **29/549,807**
- (22) Filed: **Dec. 28, 2015**
- (51) **LOC (10) Cl.** ..... **03-01**
- (52) **U.S. Cl.**  
USPC ..... **D3/262**
- (58) **Field of Classification Search**  
USPC ..... D3/262, 254, 221-225, 273, 276, 294, D3/201  
CPC ..... F41A 29/00; B65D 85/00  
See application file for complete search history.

7,987,626	B2 *	8/2011	Williams	.....	F41A 29/02	206/223
D664,763	S *	8/2012	Negrini	.....	D3/262	
D667,217	S *	9/2012	Buie, II	.....	D3/262	
D672,143	S *	12/2012	Buie, II	.....	D3/262	
D672,144	S *	12/2012	Buie, II	.....	D3/262	
D672,145	S *	12/2012	Buie, II	.....	D3/262	
8,707,607	B2 *	4/2014	Williams	.....	F41A 29/02	206/362
D716,547	S *	11/2014	Pennington	.....	D3/262	
D731,789	S *	6/2015	Quinnan	.....	D3/262	
D744,749	S *	12/2015	Negrini	.....	D3/262	
D754,967	S *	5/2016	Galloway	.....	D3/262	

\* cited by examiner

*Primary Examiner* — Mitchell Siegel

(74) *Attorney, Agent, or Firm* — Adams Grumbles, LLP; Brittany Nanzig; Paul Feng

(57) **CLAIM**

The ornamental design for a gun cleaning kit, as shown and described.

**DESCRIPTION**

FIG. 1 is a front elevational view of a gun cleaning kit showing my new design.

FIG. 2 is a back elevational view of the gun cleaning kit.

FIG. 3 is a left side elevational view of the gun cleaning kit.

FIG. 4 is a right side elevational view of the gun cleaning kit.

FIG. 5 is a top elevational view of the gun cleaning kit.

FIG. 6 is a bottom elevational view of the gun cleaning kit.

FIG. 7 is a right side perspective view of the gun cleaning kit; and,

FIG. 8 is a left side perspective view of the gun cleaning kit.

**1 Claim, 3 Drawing Sheets**

(56) **References Cited**

U.S. PATENT DOCUMENTS

D278,189	S *	4/1985	Frydenberg	.....	D3/262	
D320,113	S *	9/1991	VanSkiver	.....	D3/262	
D336,984	S *	7/1993	VanSkiver	.....	D3/262	
D343,057	S *	1/1994	Dickinson	.....	D3/262	
D448,560	S *	10/2001	Kolpin	.....	D3/262	
D448,561	S *	10/2001	Kolpin	.....	D3/262	
D483,178	S *	12/2003	Fiore, Jr.	.....	D3/254	
D506,062	S *	6/2005	Whalen	.....	D3/262	
7,165,673	B2 *	1/2007	Marks	.....	A45C 13/02	206/373

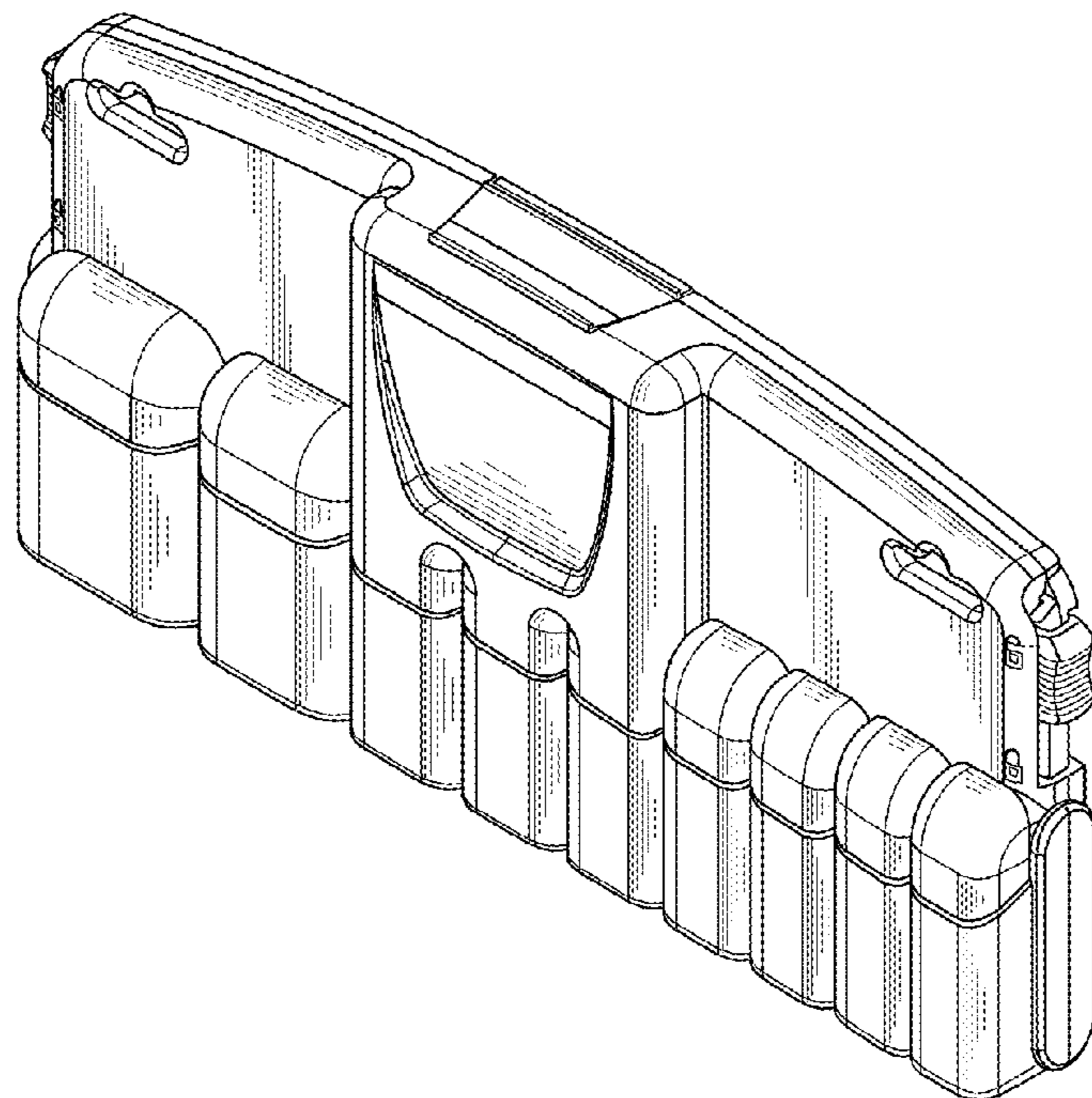


FIG. 1

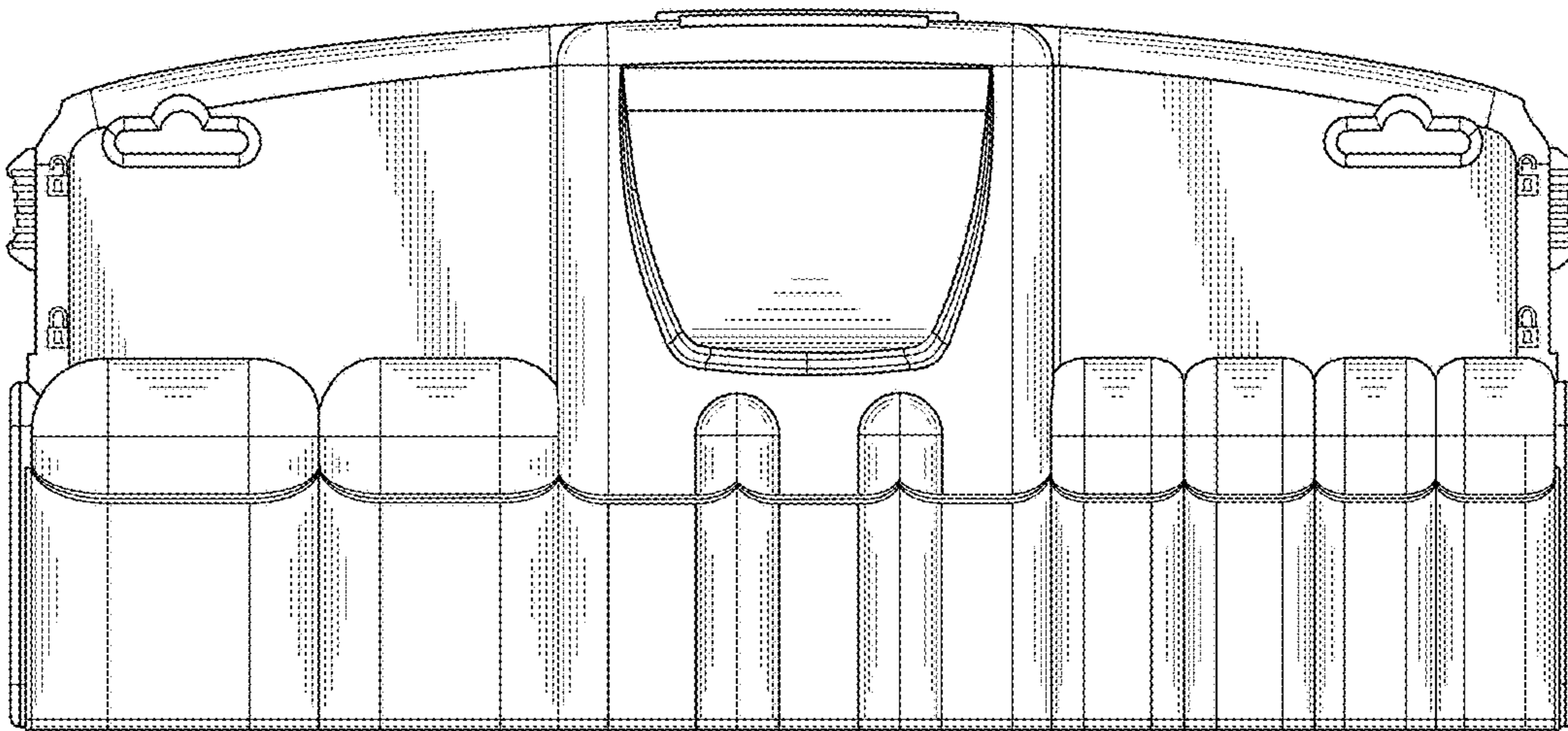


FIG. 2

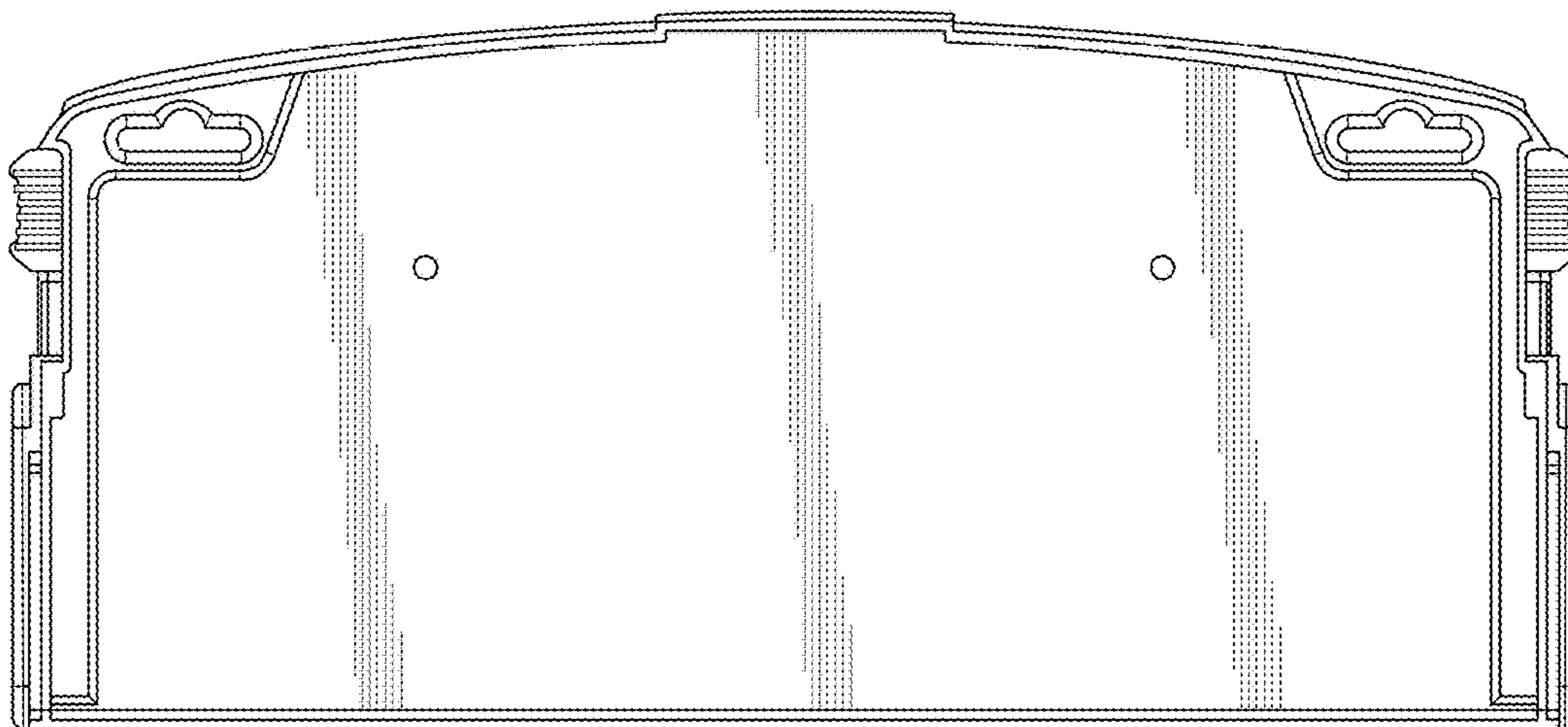


FIG. 3

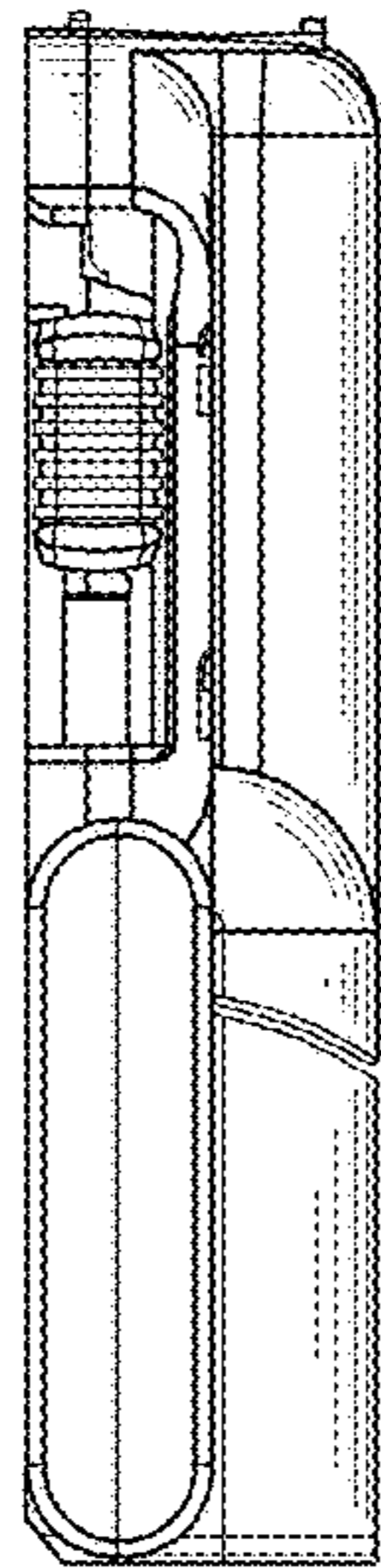


FIG. 4

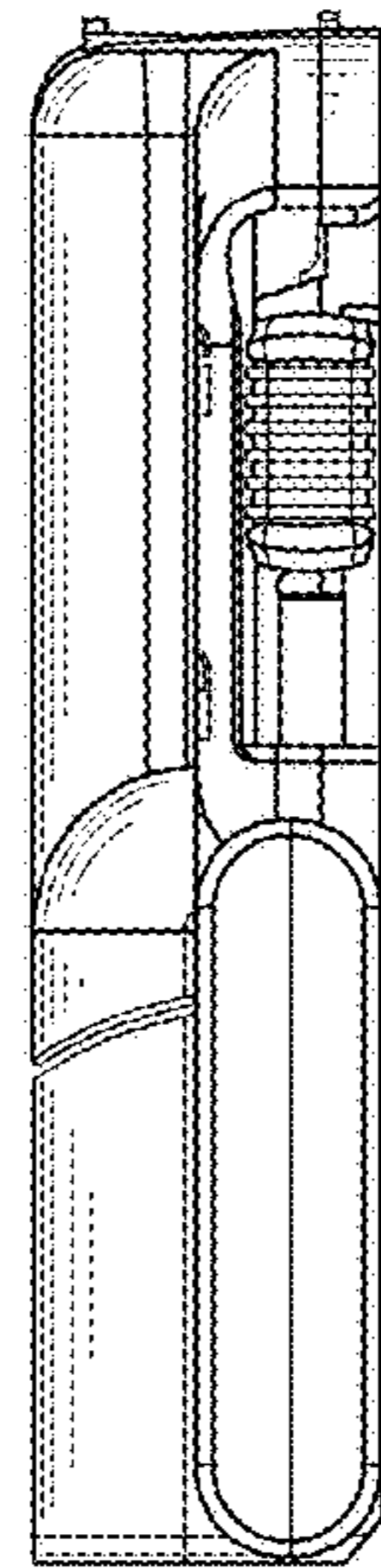


FIG. 5

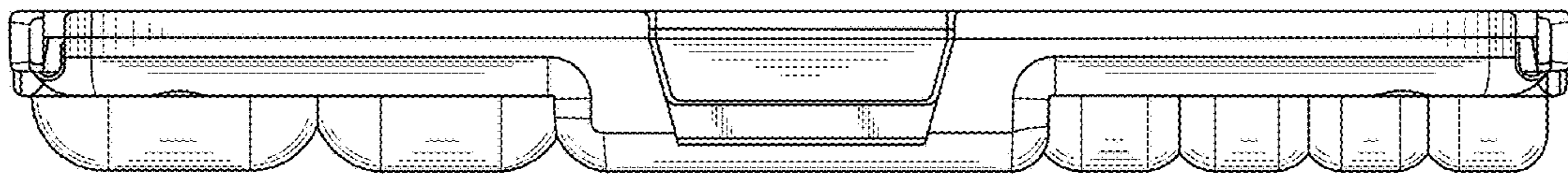
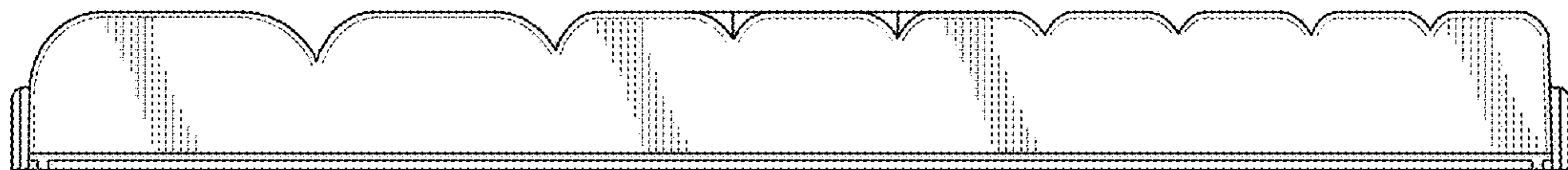


FIG. 6



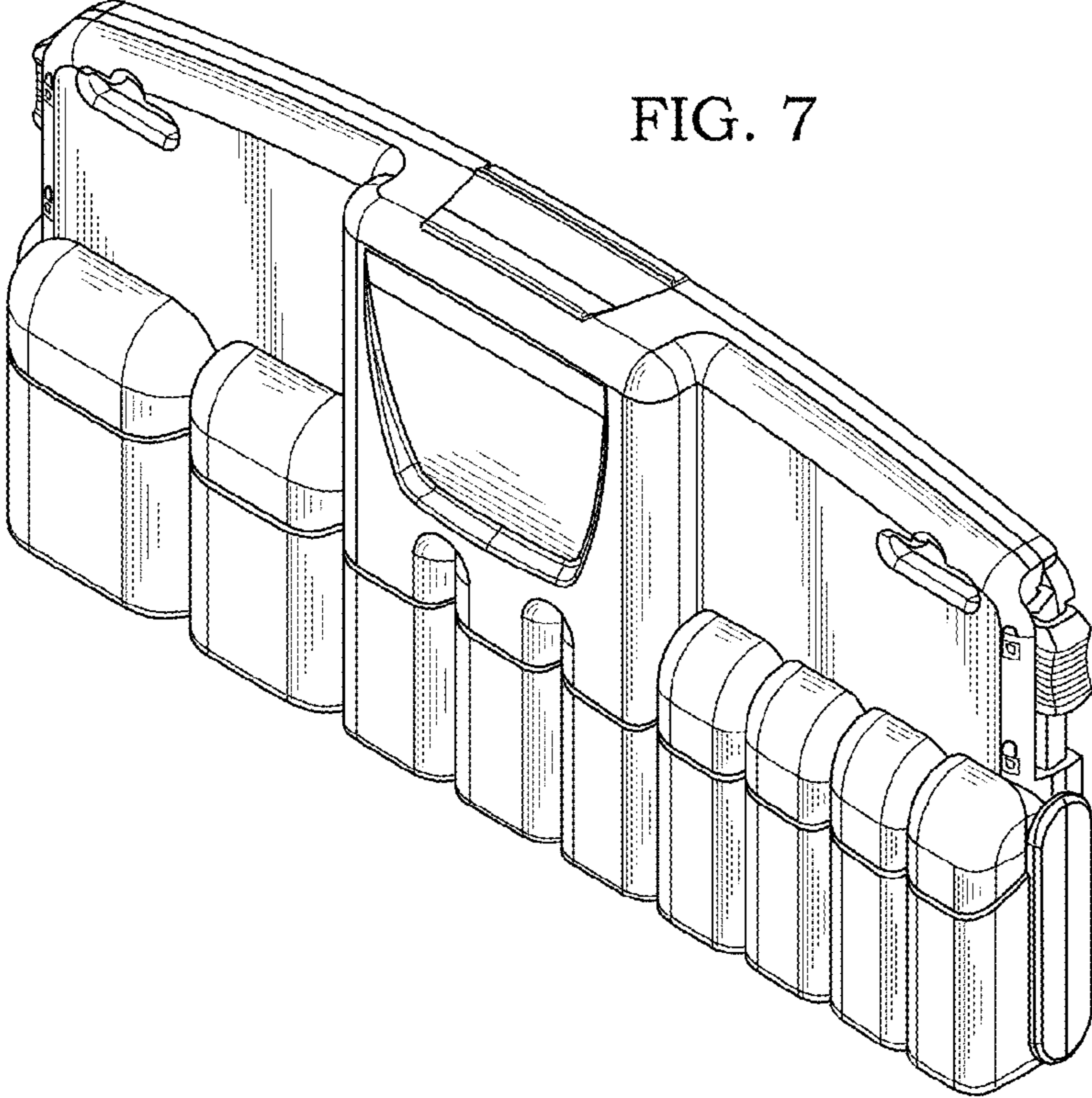


FIG. 7

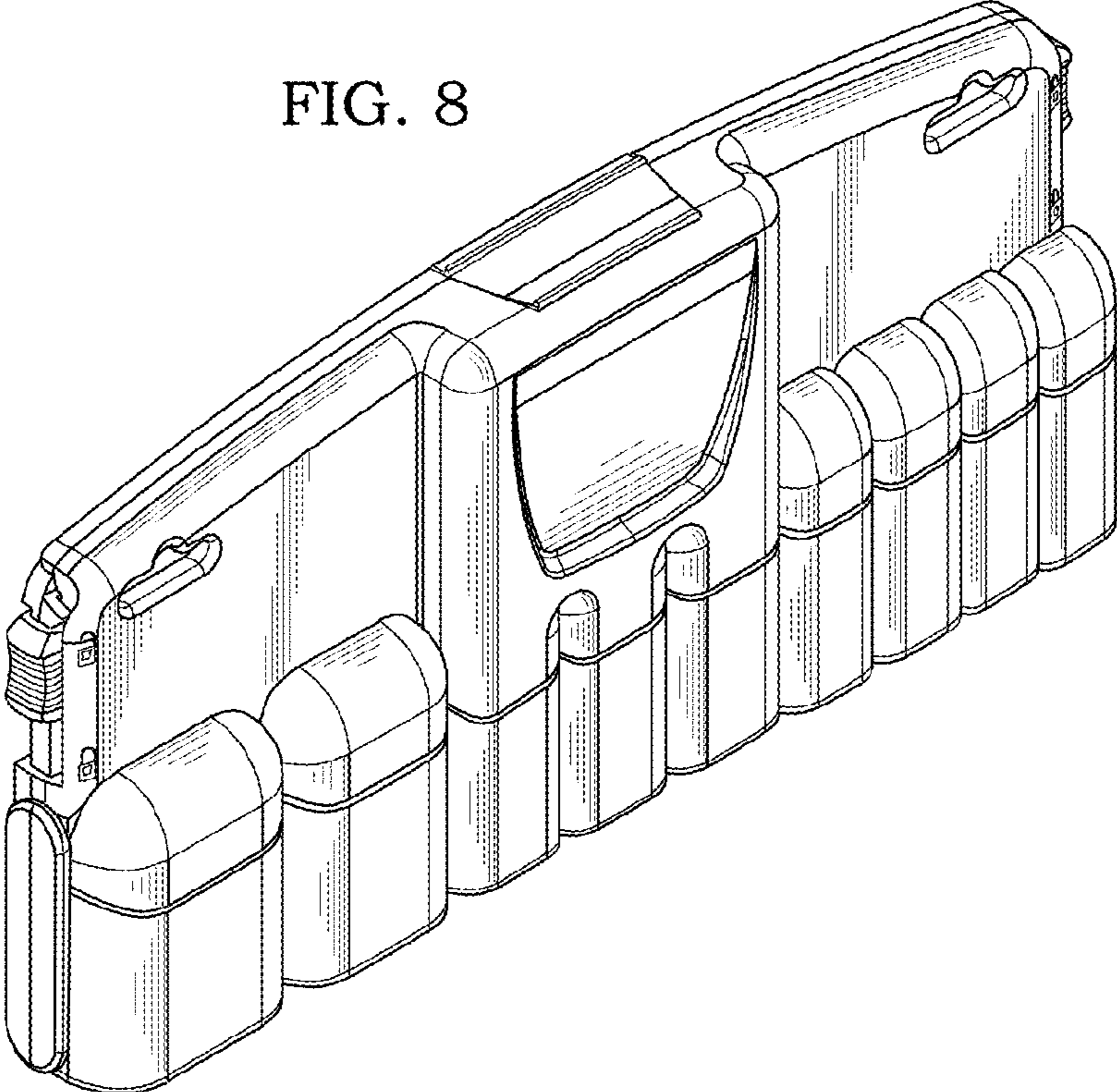


FIG. 8