



US00D789084S

(12) **United States Design Patent** (10) **Patent No.:** **US D789,084 S**
Perry (45) **Date of Patent:** **** Jun. 13, 2017**

- (54) **YOGA MAT BAG**
- (71) Applicant: **Dena Dodd Perry**, Lake Forest, IL (US)
- (72) Inventor: **Dena Dodd Perry**, Lake Forest, IL (US)
- (**) Term: **15 Years**
- (21) Appl. No.: **29/550,096**
- (22) Filed: **Dec. 30, 2015**
- (51) **LOC (10) Cl.** **03-01**
- (52) **U.S. Cl.**
USPC **D3/254; D3/289; D3/301**
- (58) **Field of Classification Search**
USPC D3/254, 201, 221, 285, 289, 299, 301, D3/315
CPC A47G 27/0237; A63B 6/00; A45F 3/02; A63C 19/04
See application file for complete search history.

D712,144 S *	9/2014	Albanese	D3/301
D713,642 S *	9/2014	Krauss	D3/301
D722,771 S *	2/2015	Wu	D3/279
D727,621 S *	4/2015	Lai	D3/279
D728,933 S *	5/2015	Sanz	D3/279
D738,621 S *	9/2015	Sheikh	D3/279
D743,698 S *	11/2015	Della Vecchia	D3/273
D748,915 S *	2/2016	Reyes	D3/301
D751,290 S *	3/2016	Maeda	D3/279
D755,518 S *	5/2016	Sijmons	D3/279
D762,383 S *	8/2016	Sanz	D3/279
D772,571 S *	11/2016	Sijmons	D3/279
2005/0172402 A1	8/2005	Uretzky-Miller		

OTHER PUBLICATIONS

Prana Bhakti Yoga Bag at YogaOutlet.com. (n.d.). Retrieved Dec. 29, 2015, from <http://www.yogaoutlet.com/p/prana-bhakti-yoga-bag-7537028/>.

* cited by examiner

Primary Examiner — Mitchell Siegel
(74) *Attorney, Agent, or Firm* — Dunlap Bennett & Ludwig PLLC

(56) **References Cited**
U.S. PATENT DOCUMENTS

D410,777 S *	6/1999	Pizzi	D3/279
D417,782 S *	12/1999	Tawil	D3/283
D430,393 S *	9/2000	Conway	D3/203.3
D451,279 S *	12/2001	Chin	D3/301
D451,674 S *	12/2001	Leins	D3/206
6,640,359 B1	11/2003	Alane		
D500,204 S *	12/2004	Hillman	D3/301
D500,597 S *	1/2005	Hillman	D3/301
D500,923 S *	1/2005	Gonzalez	D3/273
D587,902 S *	3/2009	Yoneno	D3/279
D603,163 S *	11/2009	Van Himbeeck	D3/279
D675,016 S *	1/2013	Van Overbeke	D3/273
D675,017 S *	1/2013	Van Overbeke	D3/273
8,510,878 B2 *	8/2013	Wang A47G 27/0237	5/417
D703,944 S *	5/2014	Marks	D3/203.5
D712,143 S *	9/2014	Chehebar	D3/279

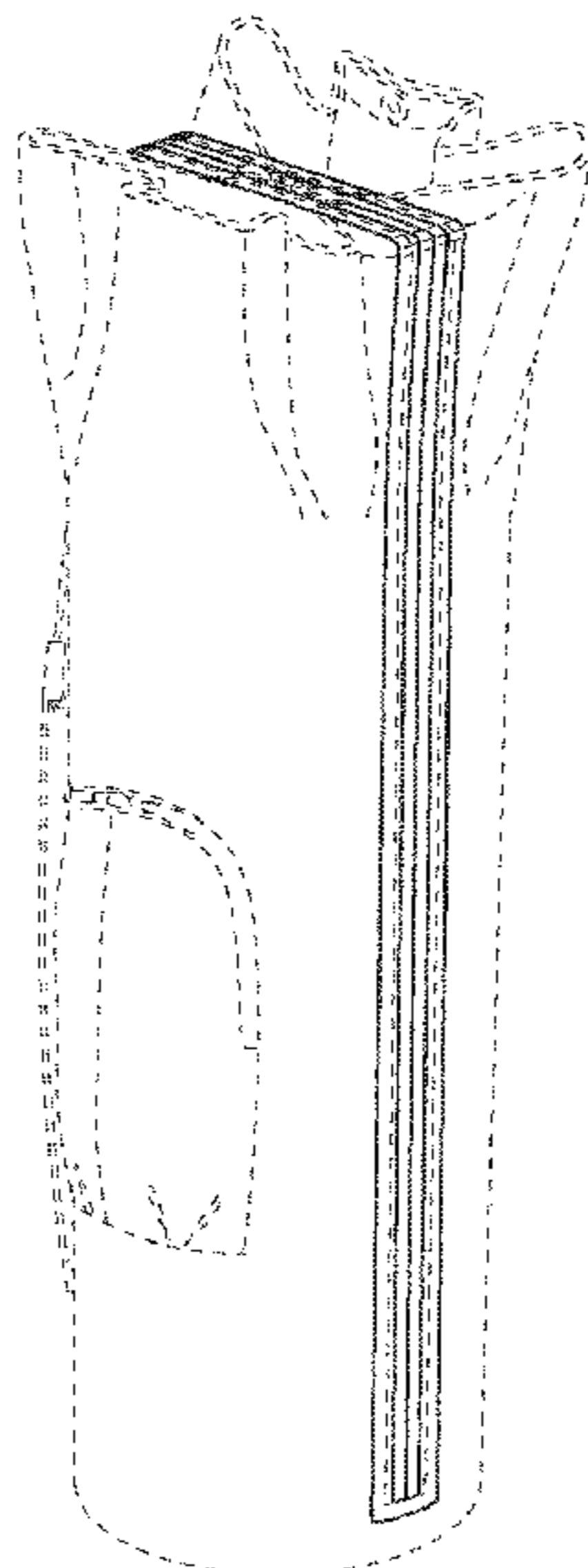
(57) **CLAIM**

The ornamental design for a yoga mat bag, as shown and described.

DESCRIPTION

FIG. 1 is a front perspective view of the yoga mat bag; FIG. 2 is a front view thereof; FIG. 3 is a rear view thereof; FIG. 4 is a right side view thereof; FIG. 5 is a left side view thereof; FIG. 6 is a top plan view thereof; and, FIG. 7 is a bottom plan view thereof. The broken line showing is for illustrative purposes only and forms no part of the claimed design.

1 Claim, 4 Drawing Sheets



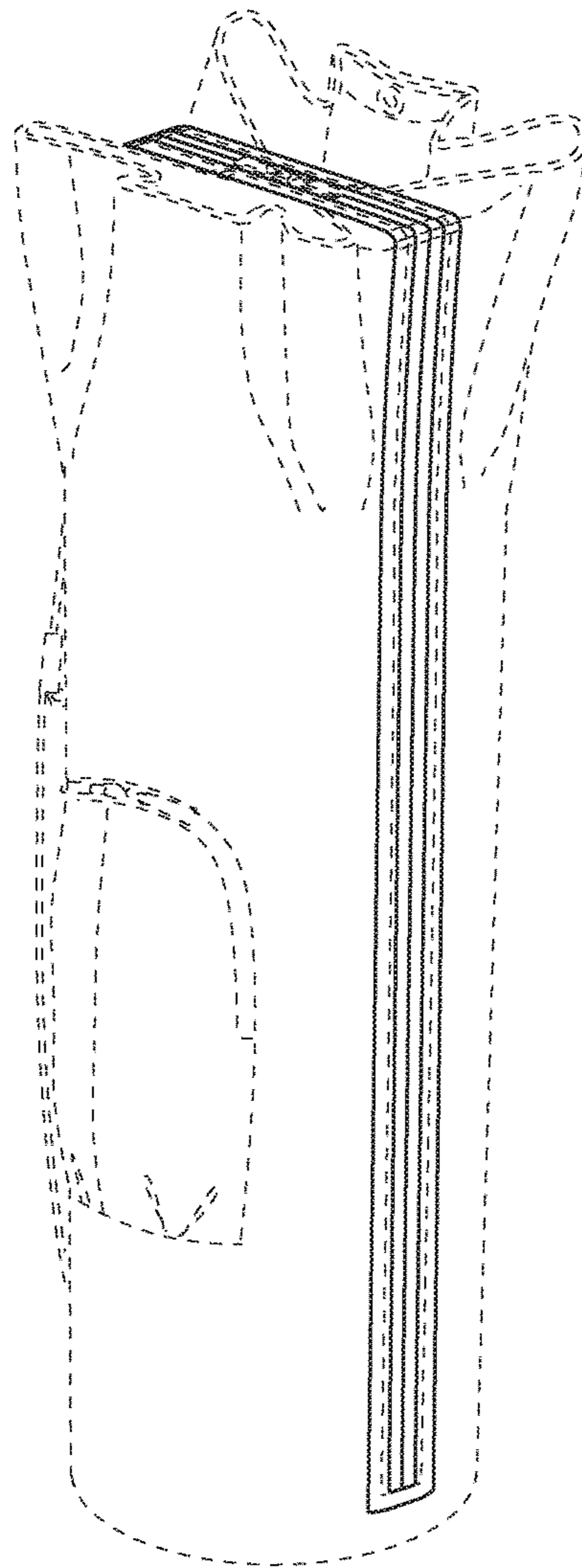


FIG. 1

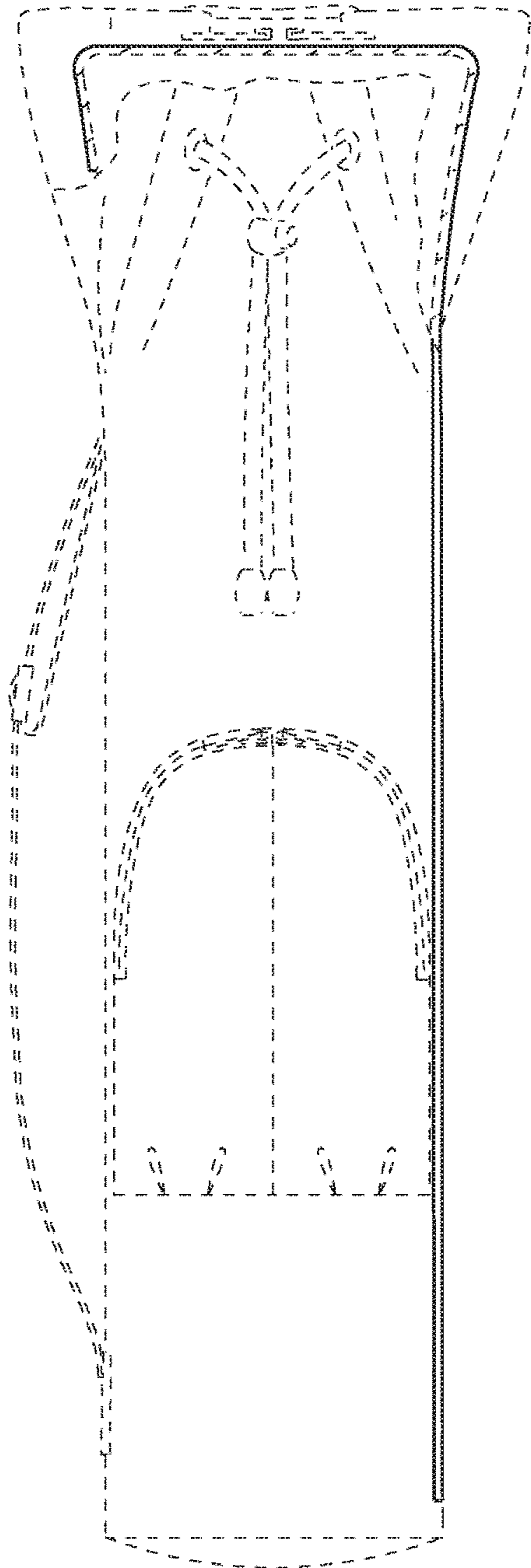


FIG. 2

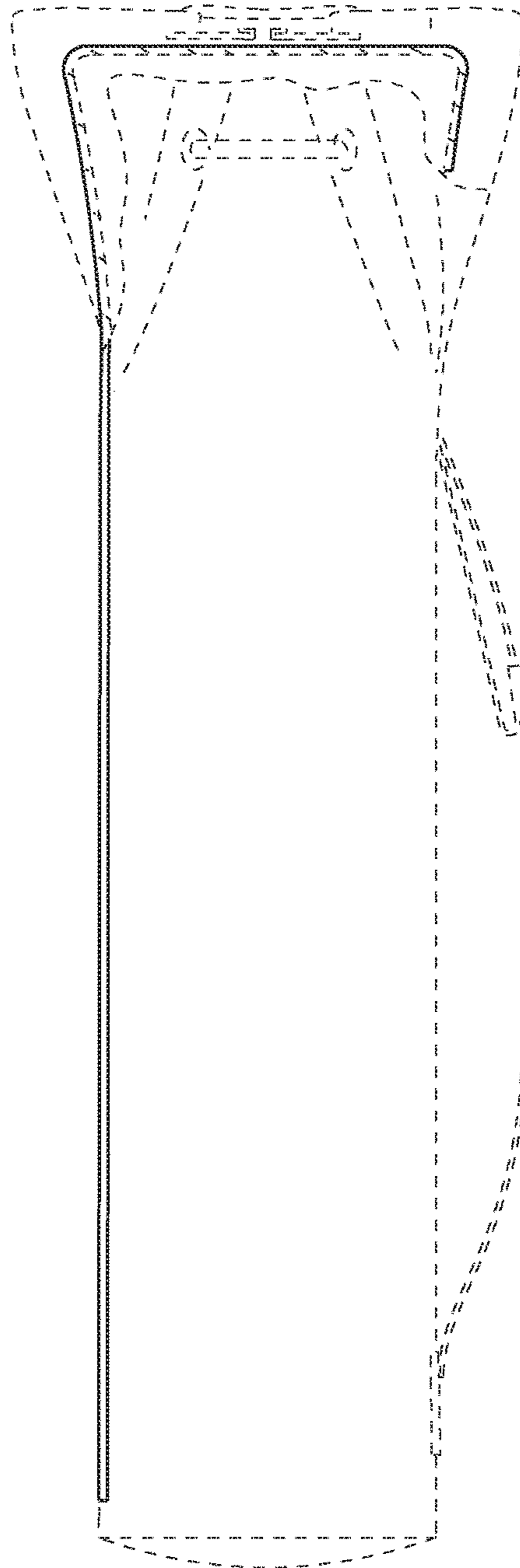


FIG. 3

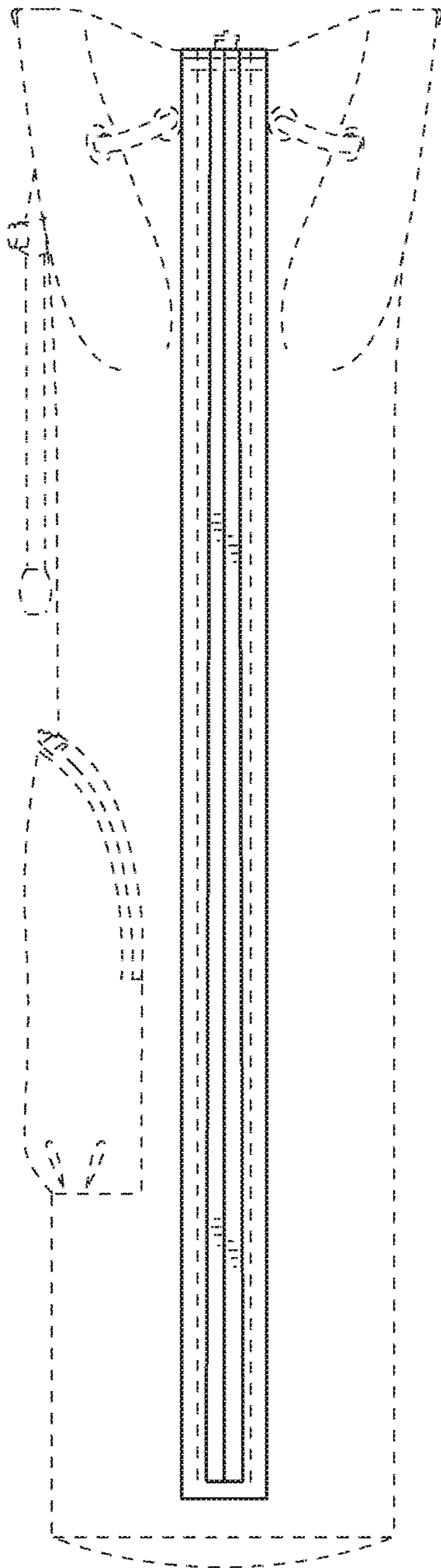


FIG. 4

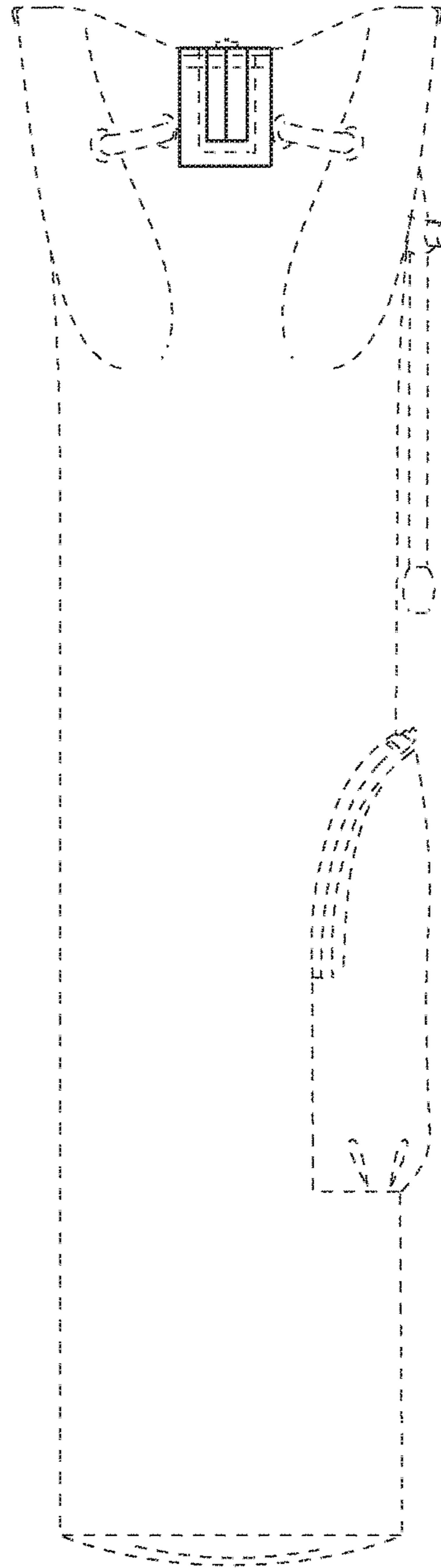


FIG. 5

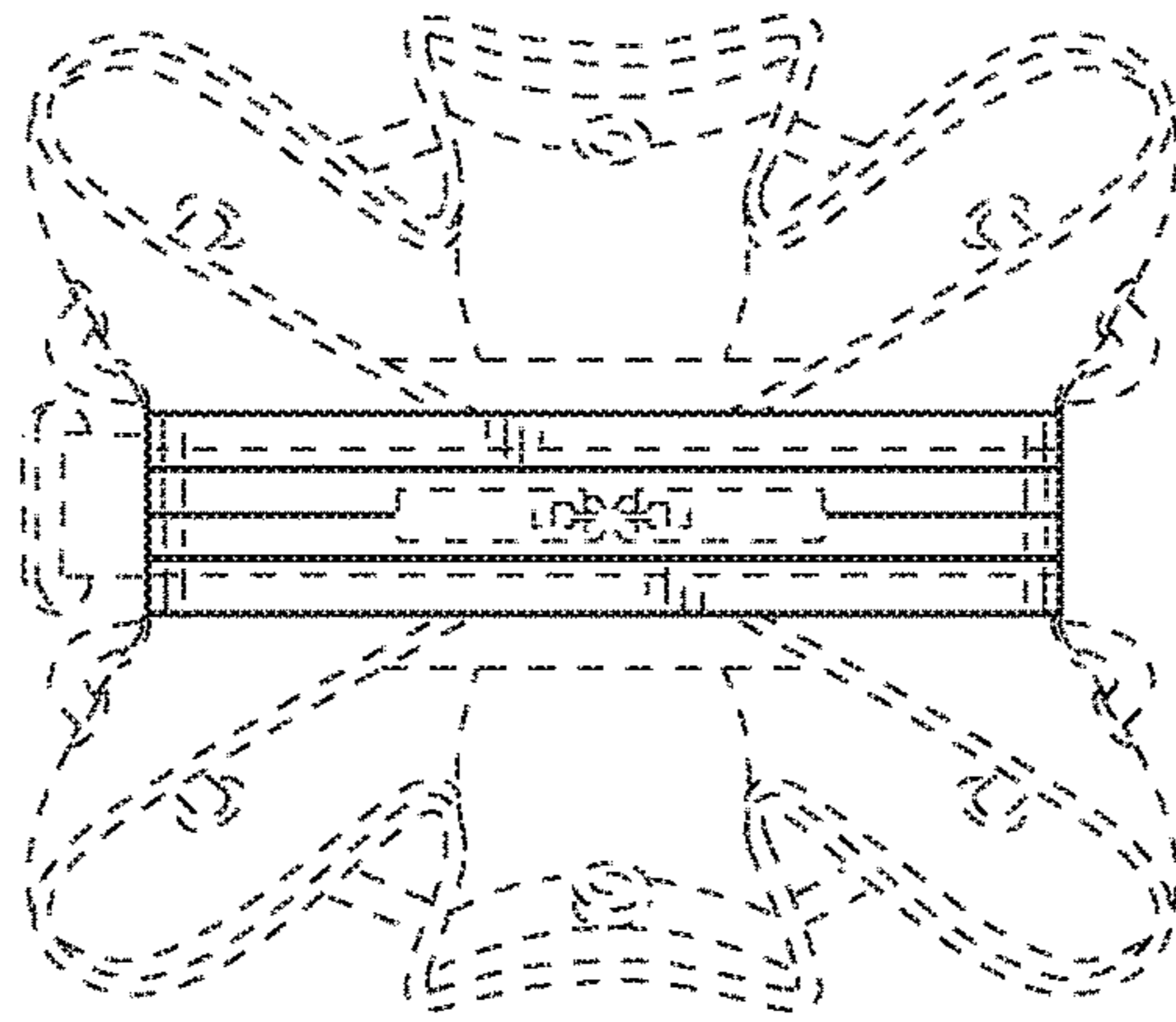


FIG. 6

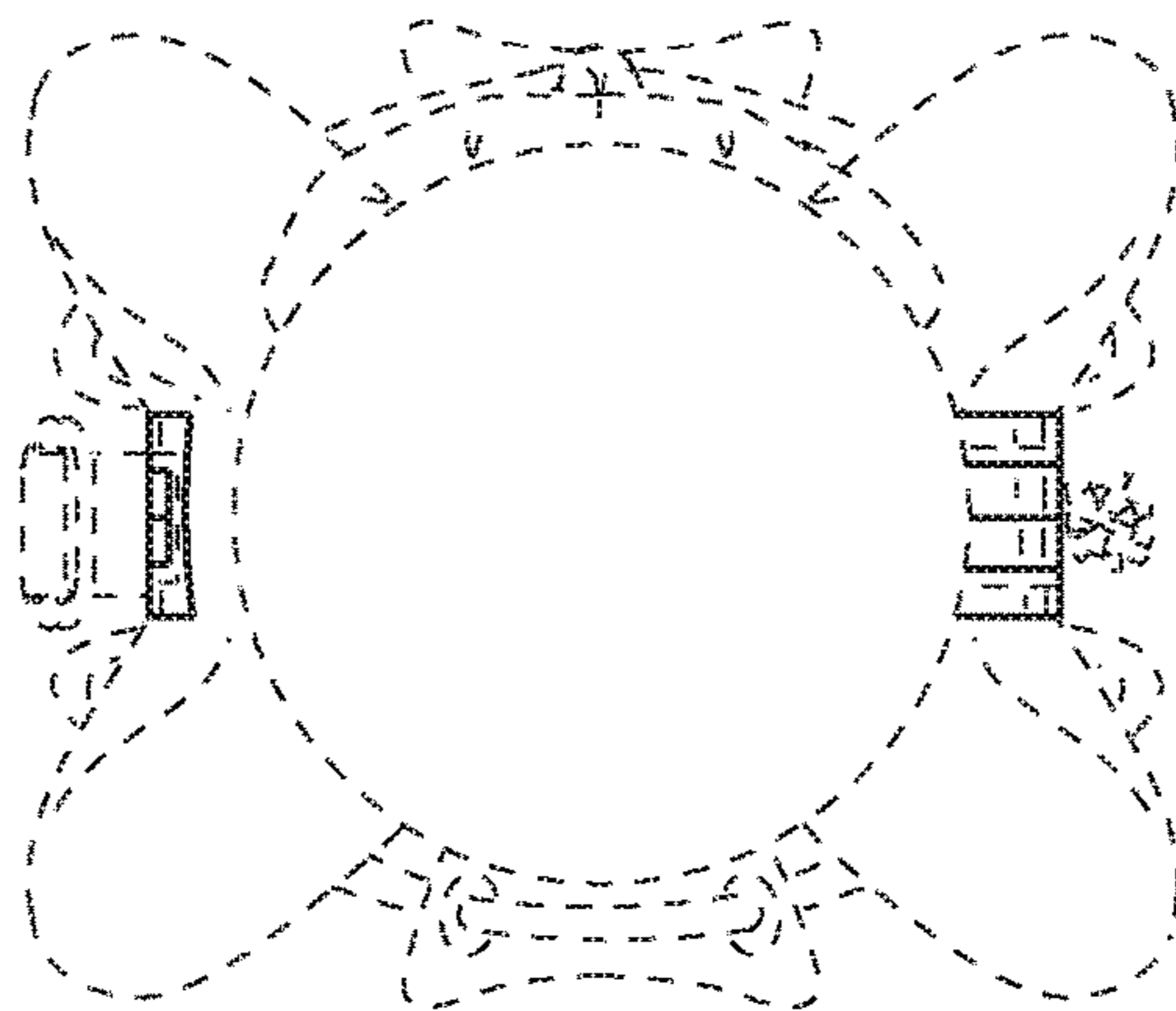


FIG. 7